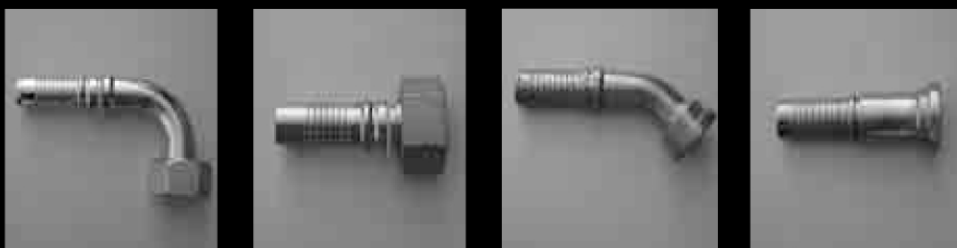
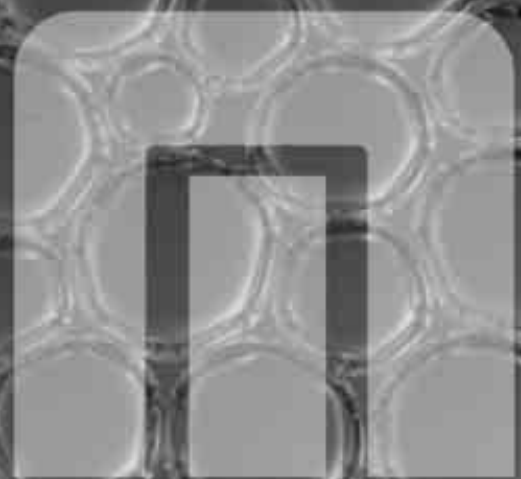


P L U S

PLU S



RACORES - <i>FITTINGS</i>	9
TUBERÍA - <i>TUBE</i>	117
ABRAZADERAS - <i>TUBE CLAMPS</i>	129
MANGUERAS - <i>HOSES</i>	165
CONEXIONES PRENSADAS - <i>SWAGED FITTINGS</i>	211
BRIDAS - <i>FLANGES</i>	301
CONEXIONES WEO PLUG IN - <i>WEO PLUG-IN PRODUCTS</i>	339
CONEXIONES REUSABLES - <i>REUSABLE FITTINGS</i>	349
CONEXIONES DE BAJA PRESIÓN - <i>LOW PRESSURE FITTINGS</i>	365
ADAPTADORES - <i>ADAPTORS</i>	377
ADAPTADORES JIC - <i>JIC ADAPTORS</i>	415
ADAPTADORES ORFS - <i>ORFS ADAPTORS</i>	457
PROTECCIONES - <i>PROTECTIONS</i>	483
TAPONES - <i>CAPS</i>	491
VÁLVULAS DE BAJA PRESIÓN - <i>LOW PRESSURE VALVES</i>	501
MANÓMETROS - <i>PRESSURE GAUGES</i>	517
VÁLVULAS Y ENCHUFES DE ALTA PRESIÓN - <i>HIGH PRESSURE VALVES</i>	529
METROLOGÍA - <i>MEASURING FLOW</i>	565
MÁQUINAS Y ÚTILES - <i>MACHINES AND TOOLS</i>	585
FLEXIBLES INOX, ACCESORIOS Y VÁLVULAS INDUSTRIALES - <i>STAINLESS STEEL FLEXIBLE HOSES, ACCESSORIES AND INDUSTRIAL VALVES</i>	589



MECALA

INDUSTRIAS METALA, S.L. fundada en 1965, tiene más de 40 años de experiencia en el mundo de la hidráulica y la neumática y está certificada por AENOR según la norma UNE-EN-ISO 9001.

INDUSTRIAS METALA, S.L durante estos años se ha especializado en las siguientes tres áreas de negocio, las cuales cubren las necesidades de sus clientes:

Producción de racores DIN 2353 / ISO 8434

Comercialización de productos hidráulicos y neumáticos (flexibles, conexiones prensadas, adaptadores, etc.)

Producción de piezas mecanizadas y decoletadas (bajo plano o muestra)



INDUSTRIAS METALA S.L. was founded in 1965, has over 40 years' experience in the field of hydraulics and pneumatics, and holds the AENOR certificate for UNE-EN-ISO 9001 standard.

INDUSTRIAS METALA S.L. specialises in the following three areas of business, which cover the needs of its clients:

Production of DIN 2353 / ISO 8434 connectors

Sales of hydraulic and pneumatic products (flexible, pressings, adapters, etc.)

Production of machined and turned parts (to a design or sample)



THE INTERNATIONAL CERTIFICATION NETWORK

CERTIFICATE

IQNet and
AENOR

hereby certify that the organization

INDUSTRIAS METALA, S.L.

SANTA KLARA KALEA, 34
20870 - ELGOIBAR(GUIPUZCOA)
ESPAÑA

for the following field of activities

The production and commercialization of adapter and hydraulic and pneumatic components.
The production of parts obtained by machining and decolletage up to diameter 200 mm and bar capacity diameter 65 mm.

has implemented and maintains a

Quality Management System

which fulfills the requirements of the following standard

ISO 9001:2008

Issued on: 1999-08-01

Renewed on: 2010-02-11

Validity date: 2013-02-11

Registration Number: **ES-0099/1998**



René Wasmer
President of IQNet

Ramón NAZ
General Manager of AENOR

AENOR

IQNet Partners*:

AENOR Spain AFNOR Certification France AIB-Vinçotte International Belgium ANCE Mexico APCER Portugal CISQ Italy
CQC China CQM China CQS Czech Republic Cro Cert Croatia DQS Holding GmbH Germany DS Denmark ELOT Greece
FCAV Brazil FONDONORMA Venezuela HKQAA Hong Kong China ICONTEC Colombia IMNC Mexico Inspecta Certification Finland
IRAM Argentina JQA Japan KFQ Korea MSZT Hungary Nemko AS Norway NSAI Ireland PCBC Poland
Quality Austria Austria RR Russia SII Israel SIQ Slovenia SIRIM QAS International Malaysia SQS Switzerland SRAC Romania TEST St
Petersburg Russia TSE Turkey YUQS Serbia

IQNet is represented in the USA by: AFNOR Certification, CISQ, DQS Holding GmbH and NSAI Inc

* The list of IQNet partners is valid at the time of issue of this certificate. Updated information is available under www.iqnet-certification.com

MARINE DIVISION

67/71 Boulevard du Château
92200 Neuilly-sur-Seine - France

Tel. 33 1 55 24 70 00
Fax. 33 1 55 24 70 45
www.veristar.com



Certificate number: 04347/D0 BV

File number : ACM 135/1313/001

Product code : 2130H

This certificate is not valid when presented without the full attached schedule composed of 7 sections

TYPE APPROVAL CERTIFICATE

This certificate is issued to

INDUSTRIAS METALA S.L.

Elgoibar (Guipuzcoa) - SPAIN

for the type of product

SCREW COUPLINGS

Cutting ring screw couplings for metallic pipes - Series L and S.

Regulations and standards :

- BUREAU VERITAS Rules for the Classification of Steel Ships
- BUREAU VERITAS Rules for the Classification of Offshore Units

This certificate is issued to attest that BUREAU VERITAS did undertake the relevant approval procedures for the product identified above which was found to comply with the relevant requirements of the Regulations and standards mentioned above.

This certificate is valid until : 09 Feb 2014

At Neuilly, on : 09 Feb 2009

For BUREAU VERITAS,
By order of the Secretary

Approval office

Local office : BV MADRID
Surveyor : A. Banta Villamil

L-COURREGELONGUE



This certificate remains valid until the date stated above, unless cancelled or revoked, provided the conditions indicated in the subsequent page(s) are complied with and the product remains satisfactory in service. This certificate will not be valid if the applicant makes any changes or modifications to the approved product, which have not been notified to, and agreed in writing with BUREAU VERITAS. Should the specified regulations or standards be amended during the validity of this certificate, the product(s) is/are to be re-approved prior to it/they being placed on board vessels to which the amended regulations or standards apply. This certificate is issued within the scope of the General Conditions of BUREAU VERITAS Marine Division. Any Person not a party to the contract pursuant to which this document is delivered may not assert a claim against BUREAU VERITAS for any liability arising out of errors or omissions which may be contained in said document, or for errors of judgement, fault or negligence committed by personnel of the Society or of its Agents in establishment or issuance of this document, and in connection with any activities for which it may provide.

THE SCHEDULE OF APPROVAL

1. PRODUCT DESCRIPTION :

Metala Cutting ring screw couplings for metallic pipes.

SERIE L (Light)	
Tube Diameters	Maxi. service pressure
6 to 18 mm	315 bar
22 to 42 mm	160 bar

SERIE S (heavy)	
Tube Diameters	Maxi. service pressure
6 to 14 mm	630 bar
16 to 30 mm	400 bar
38 mm	315 bar

The approval is valid for the different configurations of the couplings as unions, tees, elbows etc... as per Manufacturer's catalogue edited in spanish language.

Materials and/or components :

Tube Seamless Steel

Couplings Steel

2. DOCUMENTS AND DRAWINGS :

As per Manufacturer's catalogue CRM - 2000.

3. TEST REPORTS :

Tests carried out:

- Assembly test, leakage test, pulsation test, vibration test, bursting test and tearing stress test.

Test reports dated october 2000 and 21/03/2002:

- Hydraulic test and burst test

4. APPLICATION / LIMITATION :

4.1 May be used for the following services on board :

Fresh and sea water, Fuel oil, Lub and hydraulic oil, Compressed air

4.2 The cutting ring screw couplings are to be at any time accessible.

4.3 The bulkhead unions are not to be used as fittings in way of watertight or oil tight bulkheads or decks.

4.4 In all cases, the associated pipes are to be suitably adjusted, aligned and anchored.

4.5 The assembly instructions given by the Manufacturer are to be complied with.

4.6 The wall thickness and the material of tubes used are to be in accordance with the Bureau Veritas Rules.

5. PRODUCTION SURVEY REQUIREMENTS :

5.1 The products are to be manufactured, examined and tested by the manufacturer in accordance with the approved type described in this certificate and Bureau Veritas Rules and Regulations stated on the front page of this certificate.

5.2 Production sites are to be recognized by Bureau Veritas as per NR 320 for HBV products. To this end, the manufacturer has to make the necessary arrangements for a Society's Surveyor to perform visits and product audits at the production sites.

5.3 The manufacturer has declared to Bureau Veritas that the products detailed in this certificate are manufactured at the production site stated on the front page of this certificate.

5.4 Bureau Veritas certificate is not required for the product to be fitted on board units to be classed with Bureau Veritas.

6. MARKING OF PRODUCT

Each screw coupling is to be clearly marked to avoid any wrong utilization as per the manufacturer's instructions:

- Manufacturer's name or logo
- Pipe size
- Material

7. OTHERS

7.1 This approval is given on the understanding that the manufacturer will accept full responsibility for informing shipbuilder or their subcontractors of the proper method of fitting and general maintenance of the screw coupling and of the conditions of this approval.

7.2 This certificate supersedes Type Approval Certificate N° 04347/C0 BV issued on 08/07/2002 by the Society.

*** END OF CERTIFICATE ***



METALAL

RACORES

FITTINGS

RACORES - FITTINGS



M.TF
p.33



M.AF
p.34



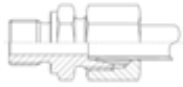
M.AFD
p.35



M.AFJ
p.36



M.REP (BSP)
p.37



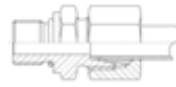
M.REP (METRIC)
p.38



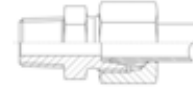
M.REP ED (BSP)
p.39



M.REP ED (METRIC)
p.41



M.REP (UNF/UN)
p.42



M.RED (BSPT)
p.44



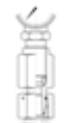
M.RED (NPT)
p.45



M.REFD
p.47



M.REDM
p.48



M.REDME
p.48



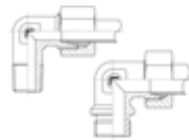
M.REP E
p.49



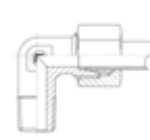
M.REP E (LT)
p.51



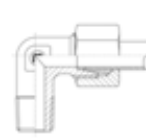
M.REP E (ST)
p.52



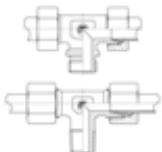
M.REL
p.53



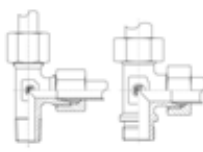
M.REL (METRIC)
p.54



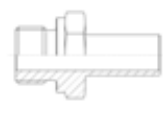
M.REL (NPT)
p.55



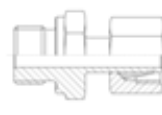
M.RET
p.56



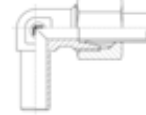
M.RETI
p.57



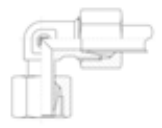
M.ELM
p.58



M.ELM (LT/ST)
p.59



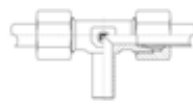
M.REL E
p.60



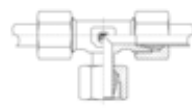
M.REL E (LT/ST)
p.61



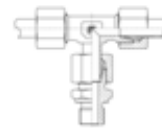
M.REL E (LR/SR)
p.62



M.RET E
p.63



M.RET E (LT/ST)
p.64



M.RET E (LR/SR)
p.65



M.RET E
p.66



M.RET E (LT/ST)
p.67



M.RET E (LR/SR)
p.68



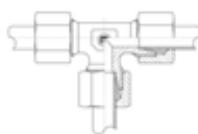
M.RID
p.69



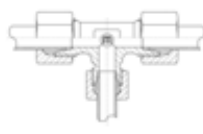
M.RIDR
p.70



M.RIL
p.72



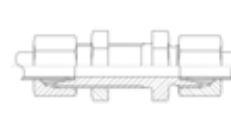
M.RIT
p.73



M.RITR
p.74



M.RIX
p.77



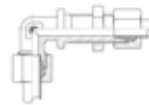
M.PTR
p.78

RACORES FITTINGS

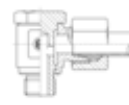
12



M.PTRA
p.79



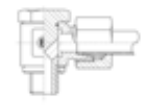
M.PTC
p.80



M.RFO (BSP)
p.81



M.RFO (METRIC)
p.82



M.RFPT (BSP)
p.83



M.RFPT (METRIC)
p.84



M.RFTT (BSP)
p.85



M.RFTT (METRIC)
p.86



M.RI
p.87



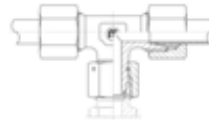
M.RI ED
p.88



M.REP DKO
p.89



M.REL DKO
p.91



M.RET DKO
p.92



M.RETI DKO
p.93



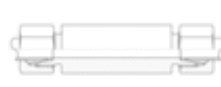
M.RID DKO
p.94



M.ELM DKO
p.95



M.REDS
p.96



M.PTS
p.97



M.RELS
p.98



M.ELS
p.99



M.TJ
p.100



M.TM
p.101



M.TA
p.102



M.TAM
p.102



M.TXA (ACERO/STEEL)
p.103



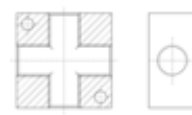
M.TXL (LATÓN/BRASS)
p.103



M.TXN (ACERO/STEEL)
p.104



M.TE
p.105



M.RX
p.106



M.CIP (ACERO/STEEL)
p.107



M.CIL (LATÓN/BRASS)
p.107



M.GFB (ACERO/STEEL)
p.108,109



M.GFV (COBRE/COOPER)
p.108,110



M.VA
p.111



M.VART (BSP)
p.112



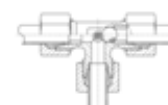
M.VART (METRIC)
p.113



M.VART (BSP)
p.114



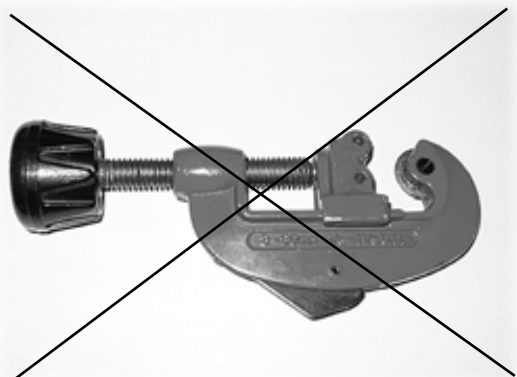
M.VART (METRIC)
p.115



M.VAT
p.116

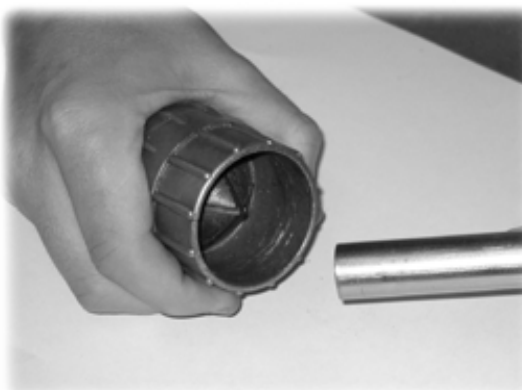
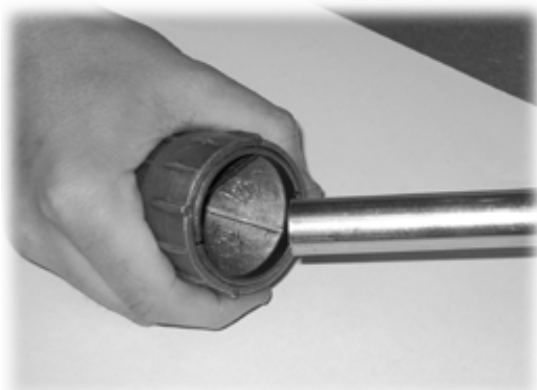
Montaje de racores DIN 2353 – ISO 8434-1 Assembling connectors DIN 2353 – ISO 8434-1

- 1.- Cortar el tubo a la longitud deseada a escuadra. (Importante: no se debe utilizar ningún cortador de tubos para realizar la operación)
- 1.- Cut the pipe off square to the required length. (Important: no pipe cutters must be used in this operation).



13

- 2.- Rebabado interior y exterior de los extremos de la tubería. Una vez realizada esta operación limpiar correctamente la tubería, eliminando posibles impurezas que pudiesen quedar dentro del circuito.
- 2.- Deburring the inside and outside at the ends of the pipe. After this is done, clean the pipe carefully to remove any particles that may remain in the pipe.

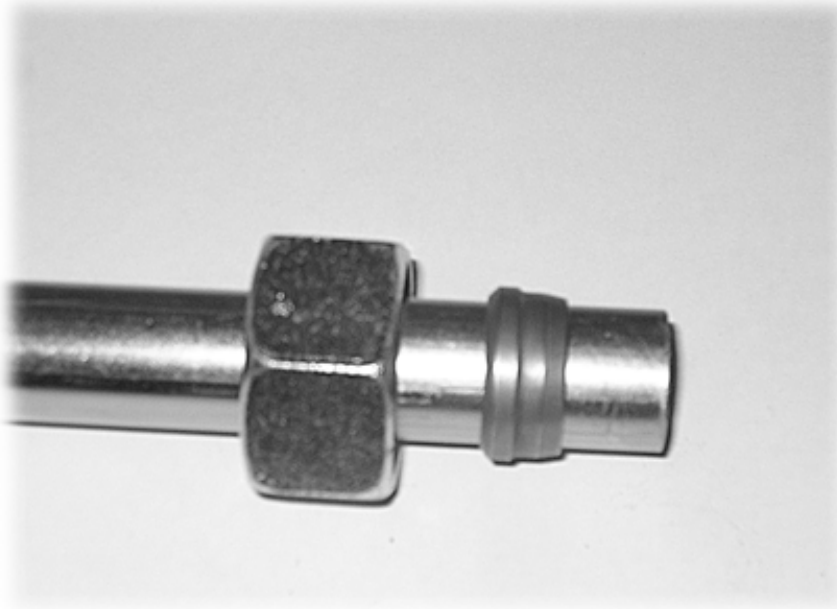


- 3.- Aplicar lubricante en el cono y la rosca del racor además del anillo de corte. Es fundamental realizar correctamente la lubricación pero no llegando a engrasarlas. Si se utiliza útil de premontaje es vital lubricar el cono como la rosca.
- 3.- Apply lubricant to the cone and thread of the connector, also the cutting ring. It is essential to lubricate correctly, but not heavily. If a pre-assembly tool is used, it is essential to lubricate the cone and thread.

14



- 4.- Introducir la tuerca y el anillo de corte sobre el extremo del tubo. Los filos de corte del anillo cortante deben de estar dirigidos hacia el extremo del tubo que se va a montar.
- 4.- Fit the nut and cutting ring over the end of the pipe. The cutting edges on the cutting ring must be pointing towards the end of the pipe to be assembled.



15

- 5.- Apretar la tuerca con la mano hasta que se note que ha asentado. Apretar el tubo contra el tope del cono interior.
- 5.- Tighten the nut by hand until it grips. Tighten the pipe against the stop in the inner cone.



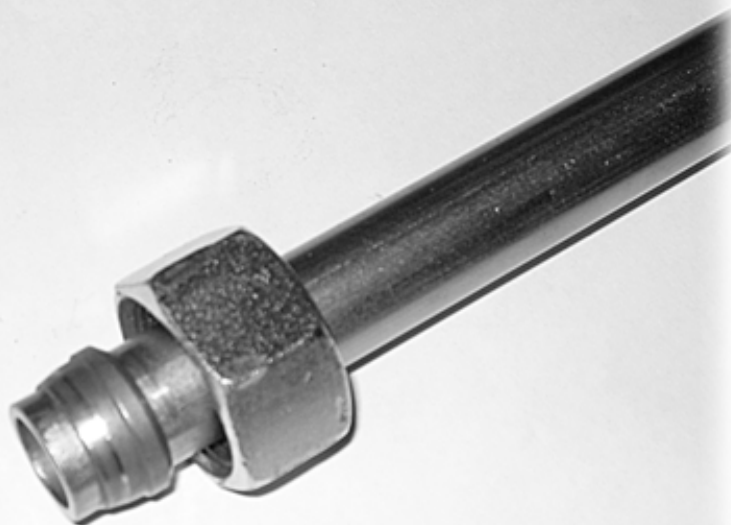
- 7.- A continuación, apretar la tuerca una vuelta y media (1-1/2 para anillo de corte usual, 1/4 para anillo de corte con junta y 1-1/4 para anillo de corte inoxidable). Durante esta operación el tubo no debe girar, cuando el esfuerzo cambia y se hace importante por la arista del bloqueo esto significa que el montaje está terminado.
- 7.- Next, tighten the nut one and a half turns (1-1/2 for a standard cutting ring, 1/4 for a cutting ring with a seal and 1-1/4 for a stainless steel cutting ring). The pipe must not rotate during this operation, when the force changes and the locking edge bites, the assembly has finished.

16



- 8.- Una vez finalizado el apriete final de la tuerca, aflojarla y comprobar si se ha realizado una rebaba en el espacio situado delante del corte del anillo. De no ser así, volver a apretar ligeramente. No tiene importancia que el anillo gire en el extremo del tubo.
- 8.- Once the nut has been tightened finally, release it and check to see if a burr has formed in the space in front of the cutting ring. If this is not the case, tighten again lightly. It does not matter if the ring rotates on the end of the pipe.

17



- 9.- El extremo del tubo montado se inserta nuevamente en el cuerpo del racor en el cual se encontraba montado. A continuación se aprieta la tuerca a mano sin ningún tipo de tensión.
- 9.- The assembled pipe end is once again inserted into the body of the connector where it was fitted before. Next, tighten the nut by hand with no force.
- 10.- Apretar la tuerca con la llave adecuada un cuarto (1/4) de vuelta.
- 10.- Tighten the nut with a suitable spanner for one quarter (1/4) of a turn.

Advertencia:

Warning:

- Cada cuerpo de racor debe de utilizarse una sola vez para el primer montaje. Si se utiliza varias veces pueden producirse deformidades que producirían el incorrecto funcionamiento del racor.
- Each connector body must be used once only for the first assembly. If it is used several times, it may deform and cause the connector to malfunction.
- Los útiles de premontaje, una vez que se ha realizado con ellos 50 premontajes (aproximadamente) es necesario revisarlos tanto dimensionalmente como visualmente. Si se detectan deformidades que pudieran producir un montaje defectuoso, es mejor que se retiren de su uso.
- When pre-assembly tools have been used for 50 pre-assemblies (approximately), they must be checked visually and for dimensions. If any deformities are found that could cause the assembly to be faulty, it is better to discard the tool.

18



- Después del montaje es necesario realizar una inspección visual para comprobar el resultado del montaje.
- After finishing the assembly, make a visual check to ensure all is correct.

Montaje de racores DKO

Assembling DKO connectors

1.- En los racores DKO observar si asienta la junta (O-ring) en el cono del racor.

1.- With DKO connectors, check that the O-ring has seated into the connector cone.



19

2.- Aplicar lubricante en el cono y la rosca del racor además de la junta O-ring del racor DKO. Es fundamental realizar correctamente la lubricación pero no llegando a engrasarlas.

2.- Apply lubricant on the cone and the thread of the connector, also the O-ring on the DKO connector. It is essential to lubricate correctly, but not heavily.

3.- Apretar la tuerca del racor DKO con la mano hasta que se note que ha asentado en la base del racor.

3.- Tighten the nut on the DKO connector by hand until it can be felt to have seated into the base of the connector.

- 4.- A continuación, apretar la tuerca del racor DKO dos tercios de vuelta (2/3).
4.- Next, tighten the nut on the DKO connector for two-thirds of a turn (2/3).

20



- 5.- En caso de repetición de montaje, apretar definitivamente la tuerca del racor DKO un tercio de vuelta (1/3) después de haberlo apretado manualmente.
5.- If the assembly is being re-fitted, turn the nut on the DKO connector for a final one-third of a turn (1/3) after having tightened it manually.

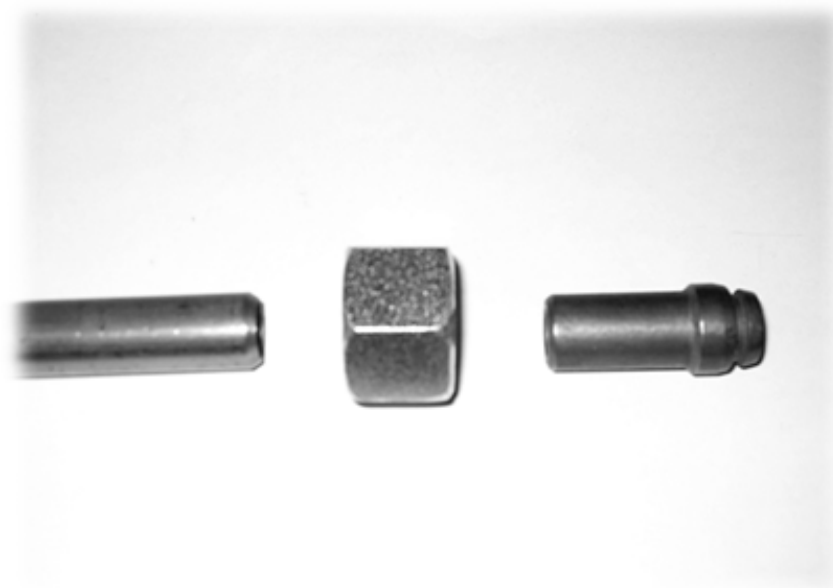
Montaje de racores con punta de soldar **Assembling connectors with spot welds**

- 1.- Las puntas de soldar deben de estar sin baño y con un chaflán de soldadura.
1.- The spot welds must be uncoated and have a welding chamfer.



- 2.- Las puntas de soldar se sueldan en los extremos de los tubos, una vez retiradas las juntas O-ring.
- 2.- The spot welds are welded to the ends of the pipes, once the O-rings have been removed.

- 3.- Preparar la punta del tubo que va a soldar, realizándole un chaflán adecuado para la soldadura.
- 3.- Prepare the spot on the pipe to be welded, making a suitable chamfer for welding.



- 4.- Una vez soldado la punta con el tubo, se colocará la junta O-ring.
- 4.- Once the spot has been welded to the pipe, fit the O-ring.

- 5.- Aplicar lubricante en el cono y la rosca del racor además de en el cono de soldar y la junta O-ring. Es fundamental realizar correctamente la lubricación pero no llegando a engrasarlas.
- 5.- Apply lubricant to the cone and thread of the connector, also to the cone to be welded and the O-ring. It is essential to lubricate correctly, but not heavily.

- 6.- Apretar la tuerca con la mano hasta que se note que ha asentado.
6.- Tighten the nut by hand until it grips.

22



- 7.- A continuación, apretar la tuerca un cuarto de vuelta (1/4).
7.- Next, tighten the nut one quarter of a turn (1/4).



**Temperatura
Temperature**

La temperatura admisible de servicio de los racores y sus componentes es el siguiente:
The operating temperature allowed for the connectors and their components is as follows:

Racor de acero (DIN 3859) de -20°C hasta 120°C
Steel connector (DIN 3859) from -20°C to 120°C

Componentes en NBR de -25°C hasta 100°C, FPM -15°C hasta 200°C y PTFE -100°C hasta 250°C

Components in NBR from -25°C to 100°C, FPM -15°C to 200°C and PTFE -100°C to 250°C

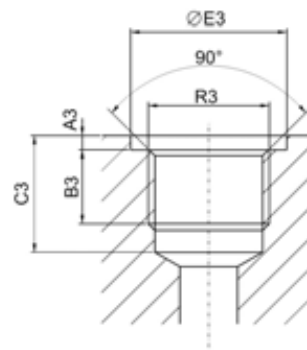
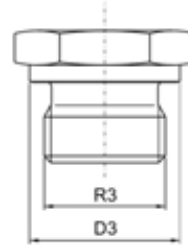
Tipos de roscas Types of thread

Cierre de racor según DIN 3852 parte 2, forma "B".
Connector closure, DIN 3852 part 2, "B" shape

24

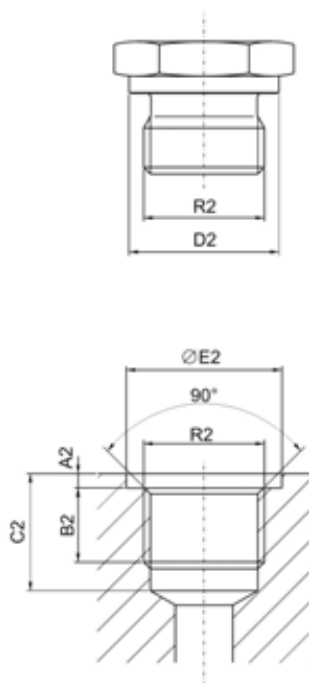
ROSCA BSP

BSP THREAD



R3	ØD3 (h14)	ØE3 (+0,4//0)	A3 max.	B3 min.	C3 min.
G1/8"	14	15	1	8	13
G1/4"	18	20	1,5	12	18,5
G3/8"	22	23	2	12	18,5
G1/2"	26	27	2,5	14	22
G3/4"	32	33	2,5	16	24
G1"	39	40	2,5	18	27
G1"1/4	49	50	2,5	20	29
G1"1/2	55	56	2,5	22	31

Cierre de racor según DIN 3852 parte 1, forma "B".
Connector closure, DIN 3852 part 1, "B" shape



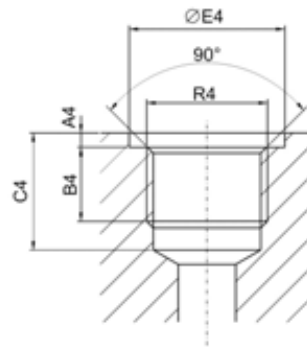
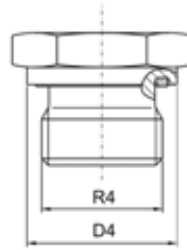
25

ROSCA METRICA

METRIC THREAD

R2	ØD2 (h14)	ØE2 (+0,4//0)	A2 max.	B2 min.	C2 min.
M8x1	12	13	1	8	13,5
M10x1	14	15	1	8	13,5
M12x1,5	17	18	1,5	12	18,5
M14x1,5	19	20	1,5	12	18,5
M16x1,5	21	22	1,5	12	18,5
M18x1,5	23	24	2	12	18,5
M20x1,5	25	26	2	14	20,5
M22x1,5	27	28	2,5	14	20,5
M24x1,5	29	30	2,5	14	20,5
M26x1,5	31	32	2,5	16	22,5
M27x2	32	33	2,5	16	24
M30x2	36	37	2,5	16	24
M33x2	39	40	2,5	18	26
M42x2	49	50	2,5	20	28
M48x2	55	56	2,5	22	30

Cierre de racor según DIN 3852 parte 11
Connector closure, DIN 3852 part 11



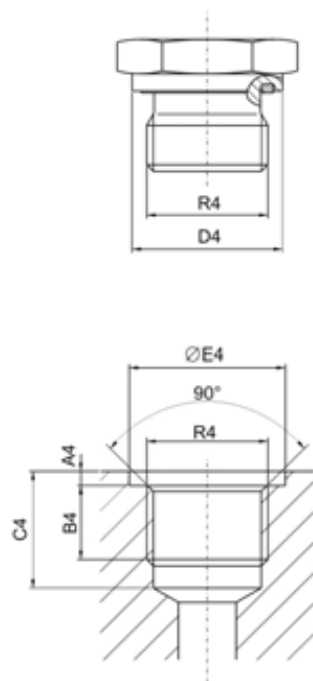
26

ROSCA BSP

BSP THREAD

R4	ØD4 (h14)	ØE4 (+0,4//0)	A4 max.	B4 min.	C4 min.
G1/8"	13,9	15	1	8	13
G1/4"	18,9	20	1,5	12	18,5
G3/8"	21,9	23	2	12	18,5
G1/2"	26,9	28	2,5	14	22
G3/4"	31,9	33	2,5	16	24
G1"	39,9	41	2,5	18	27
G1"1/4	49,9	51	2,5	20	29
G1"1/2	54,9	56	2,5	22	31

Cierre de racor según DIN 3852 parte 11
Connector closure, DIN 3852 part 11



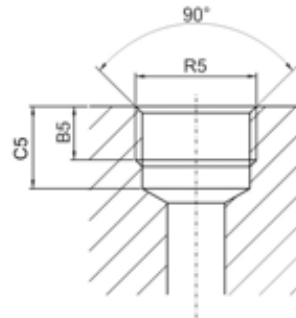
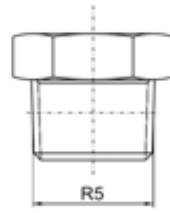
27

ROSCA METRICA

METRIC THREAD

R4	ØD4 (h14)	ØE4 (+0,4//0)	A4 max.	B4 min.	C4 min.
M10x1	13,9	15	1	8	13,5
M12x1,5	16,9	18	1,5	12	18,5
M14x1,5	18,9	20	1,5	12	18,5
M16x1,5	21,9	23	1,5	12	18,5
M18x1,5	23,9	25	2	12	18,5
M20x1,5	25,9	27	2	14	20,5
M22x1,5	26,9	28	2,5	14	20,5
M26x1,5	31,9	33	2,5	16	22,5
M27x2	31,9	33	2,5	16	24
M33x2	39,9	41	2,5	18	26
M42x2	49,9	51	2,5	20	28
M48x2	54,9	56	2,5	22	30

Cierre de racor según DIN 3852 parte 2, forma "C"
Connector closure, DIN 3852 part 2, "C" shape



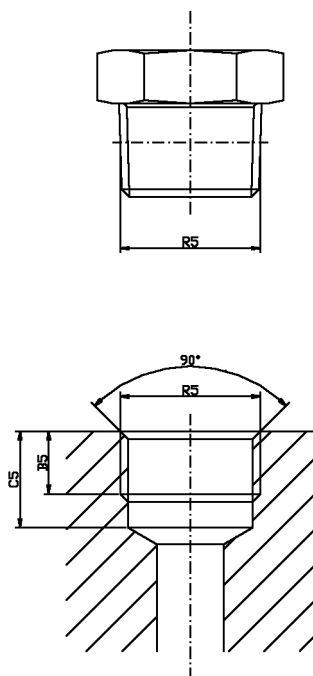
28

ROSCA BSPT

BSPT THREAD

R5	B5 min.	C5 min.
R1/8"	5,5	9,5
R1/4"	8,5	13,5
R3/8"	8,5	13,5
R1/2"	10,5	16,5
R3/4"	13	19
R1"	19	21
R1"1/4	20	21
R1"1/2	21	22

Cierre de racor según DIN 3852 parte 1, forma "C"
Connector closure, Din 3852 part 1, "C" shape



29

ROSCA METRICA
CONICA

METRIC TAPER
THREAD

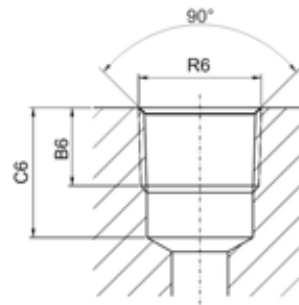
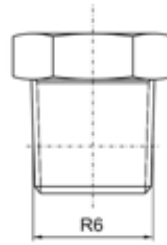
R5	B5 min.	C5 min.
M8x1 keg	5,5	10
M10x1 keg	5,5	10
M12x1,5 keg	8,5	13,5
M14x1,5 keg	8,5	13,5
M16x1,5 keg	8,5	13,5
M18x1,5 keg	8,5	13,5
M20x1,5 keg	10,5	15,5
M22x1,5 keg	10,5	15,5
M24x1,5 keg	10,5	15,5

Cierre de racor rosca NPT, según ANSI/ASME B1.20.1-1983
Connector closure NPT thread, like ANSI/ASME B1.20.1-1983

30

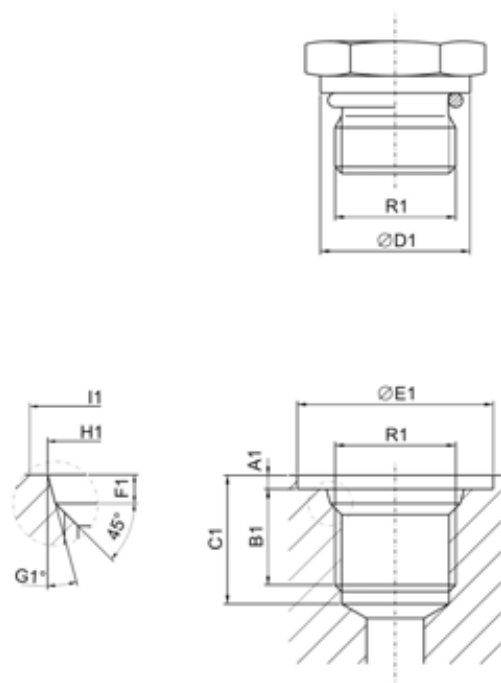
ROSCA NPT

NPT THREAD



R6	B6 min.	C6 min.
1/8"-27 NPT	6,9	11,6
1/4"-18 NPT	10	16,4
3/8"-18 NPT	10,3	17,4
1/2"-14 NPT	13,6	22,6
3/4"-14 NPT	14,1	23,1
1"-11,5 NPT	16,8	27,8
1"1/4-11,5 NPT	17,3	28,3
1"1/2-11,5 NPT	17,3	28,3

Cierre de racor rosca UN/UNF, según ANSI B1.1/ISO 725 (ISO 11926-1)
Connector closure UN/UNF thread, like ANSI B1.1/ISO 725 (ISO 11926-1)



31

ROSCA UNF

UNF THREAD

R1	ØD1	ØE1 min.	A1 max.	B1 min.	C1 min.	ØH1 (+0,1/0)	ØI1	F1	G±1°	O-Ring
7/16"-20 UNF	16	21	1,6	11,5	14	12,45	15	2,4	12°	8,92x1,83
1/2"-20 UNF	17	23	1,6	11,5	14	14,05	16	2,4	12°	10,52x1,83
9/16"-18 UNF	17,6	25	1,6	12,7	15,5	15,7	18	2,5	12°	11,89x1,98
3/4"-16 UNF	22,3	30	2,4	14,3	17,5	20,65	22	2,5	15°	16,36x2,2
7/8"-14 UNF	25,5	34	2,4	16,7	20	24	26	2,5	15°	19,18x2,46
1"1/16-12 UN	31,9	41	2,4	19	23	29,2	32	3,3	15°	23,47x2,95
1"5/16-12 UN	38,2	49	3,2	19	23	35,55	38	3,3	15°	29,74x2,95
1"5/8-12 UN	48	58	3,2	19	23	43,55	48	3,3	15°	37,47x3
1"7/8-12 UN	55	65	3,2	19	23	49,9	54	3,3	15°	43,69x3

**Información para pedidos
Notes for ordering**

Referencia
Reference

Código
Code

M.REP 12-3/8" L

0110010150

32

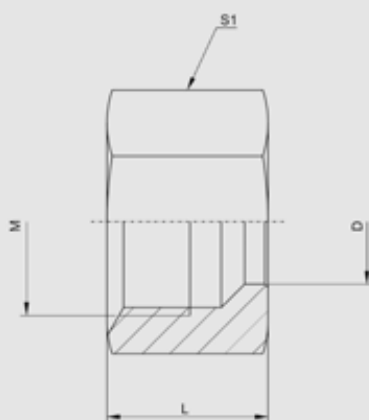
M	Racord completo Complete with nut and ring
C	Sólo cuerpo Body only
MI	Racord inox Inox fittings

011	Racord completo Complete with nut and ring
032	Sólo cuerpo Body only

LL	Extra ligera Extra Light
L	Ligera Light
S	Pesada Heavy
LT	Anillo premontado Pre-assembled ring
ST	Anillo premontado Pre-assembled ring
LR	Orientable premontado Swivel adjustables
SR	Orientable premontado Swivel adjustables

0	Acero carbono Steel
2	Acero inoxidable Stainless steel
6	Rosca macho cono 60° Male thread 60° cone

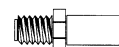
DKOL	Con cono de estanqueidad y junta tórica With taper and o-ring
DKOS	Con cono de estanqueidad y junta tórica With taper and o-ring
ED	Con junta With o-ring



M.TF

33

BAR

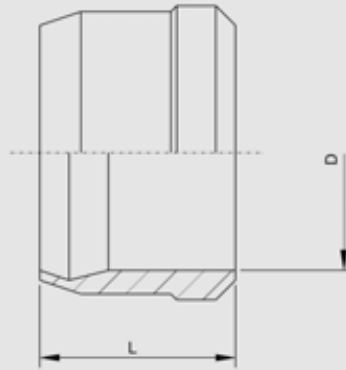


COD.	SERIE	PN BAR	D	M	L	S1	REF.
040000000	LL	100	4	M 8x1	11	10	M.TF 4 LL
040000050	LL	100	6	M 10x1	11,5	12	M.TF 6 LL
040000100	LL	100	8	M 12x1	12	14	M.TF 8 LL
040000150	LL	100	10	M 14x1	13	17	M.TF 10 LL
040000200	LL	100	12	M 16x1	13	19	M.TF 12 LL
0400010000	L	315	6	M 12x1.5	14,5	14	M.TF 6 L
0400010050	L	315	8	M 14x1.5	14,5	17	M.TF 8 L
0400010100	L	315	10	M 16x1.5	15,5	19	M.TF 10 L
0400010150	L	315	12	M 18x1.5	15,5	22	M.TF 12 L
0400010200	L	315	15	M 22x1.5	17	27	M.TF 15 L
0400010250	L	315	18	M 26x1.5	18	32	M.TF 18 L
0400010300	L	160	22	M 30x2	20	36	M.TF 22 L
0400010350	L	160	28	M 36x2	21	41	M.TF 28 L
0400010400	L	160	35	M 45x2	24	50	M.TF 35 L
0400010450	L	160	42	M 52x2	24	60	M.TF 42 L
0400010500	S	630	6	M 14x1.5	16,5	17	M.TF 6 S
0400010550	S	630	8	M 16x1.5	16,5	19	M.TF 8 S
0400010600	S	630	10	M 18x1.5	17,5	22	M.TF 10 S
0400010650	S	630	12	M 20x1.5	17,5	24	M.TF 12 S
0400010700	S	630	14	M 22x1.5	20,5	27	M.TF 14 S
0400010750	S	400	16	M 24x1.5	20,5	30	M.TF 16 S
0400010800	S	400	20	M 30x2	24	36	M.TF 20 S
0400010850	S	400	25	M 36x2	27	46	M.TF 25 S
0400010900	S	400	30	M 42x2	29	50	M.TF 30 S
0400010950	S	315	38	M 52x2	32,5	60	M.TF 38 S

**TUERCA; DIN 3870;
ISO 8434-1**

**NUT; DIN 3870;
ISO 8434-1**

RACORES FITTINGS



34

M.AF

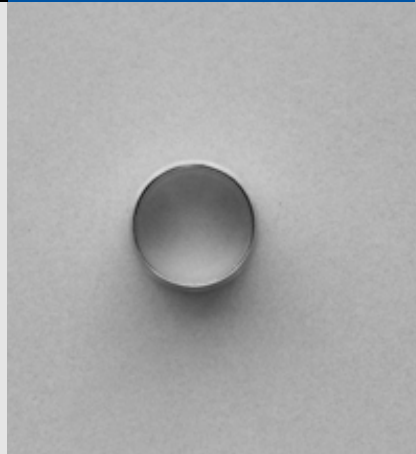
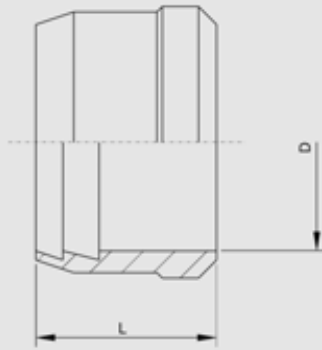
BAR



**ANILLO CORTANTE;
DIN 3861; ISO 8434-1**

**CUTTING RING; DIN
3861; ISO 8434-1**

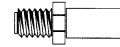
COD.	SERIE	PN BAR	D	L	REF.
041000000	LL	100	4	6	M.AF 4 LL
041000050	LL	100	6	7	M.AF 6 LL
0410000100	LL	100	8	7	M.AF 8 LL
0410000150	LL	100	10	7	M.AF 10 LL
0410000200	LL	100	12	7	M.AF 12 LL
0410010000	L	315	6	9	M.AF 6 L
0410010050	L	315	8	9	M.AF 8 L
0410010100	L	315	10	10	M.AF 10 L
0410010150	L	315	12	10	M.AF 12 L
0410010200	L	315	15	10	M.AF 15 L
0410010250	L	315	18	10	M.AF 18 L
0410010300	L	160	22	10,5	M.AF 22 L
0410010350	L	160	28	10,5	M.AF 28 L
0410010400	L	160	35	13	M.AF 35 L
0410010450	L	160	42	13,5	M.AF 42 L
0410010000	S	630	6	9	M.AF 6 S
0410010050	S	630	8	9	M.AF 8 S
0410010100	S	630	10	10	M.AF 10 S
0410010150	S	630	12	10	M.AF 12 S
0410010700	S	630	14	10	M.AF 14 S
0410010750	S	400	16	10,5	M.AF 16 S
0410010800	S	400	20	12,5	M.AF 20 S
0410010850	S	400	25	12,5	M.AF 25 S
0410010900	S	400	30	13	M.AF 30 S
0410010950	S	315	38	13,5	M.AF 38 S



M.AFD

35

BAR

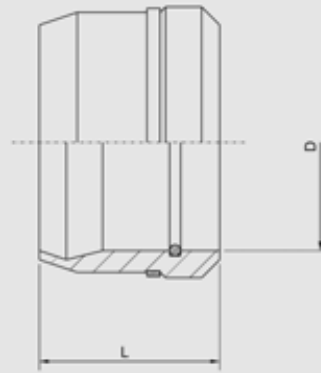


COD.	SERIE	PN BAR	D	L	REF.
0410110000	L	315	6	9	M.AFD 6 L
0410110050	L	315	8	9	M.AFD 8 L
0410110100	L	315	10	10	M.AFD 10 L
0410110150	L	315	12	10	M.AFD 12 L
0410110200	L	315	15	10	M.AFD 15 L
0410110250	L	315	18	10	M.AFD 18 L
0410110300	L	160	22	10,5	M.AFD 22 L
0410110350	L	160	28	10,5	M.AFD 28 L
0410110400	L	160	35	13	M.AFD 35 L
0410110450	L	160	42	13,5	M.AFD 42 L
0410110000	S	630	6	9	M.AFD 6 S
0410110050	S	630	8	9	M.AFD 8 S
0410110100	S	630	10	10	M.AFD 10 S
0410110150	S	630	12	10	M.AFD 12 S
0410110700	S	630	14	10	M.AFD 14 S
0410110750	S	400	16	10,5	M.AFD 16 S
0410110800	S	400	20	12,5	M.AFD 20 S
0410110850	S	400	25	12,5	M.AFD 25 S
0410110900	S	400	30	13	M.AFD 30 S
0410110950	S	315	38	13,5	M.AFD 38 S

**ANILLO DOBLE
CORTE; DIN 3861;
ISO 8434-1**

**PROGRESSIVE
RING; DIN 3861; ISO
8434-1**

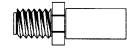
RACORES FITTINGS



36

M.AFJ

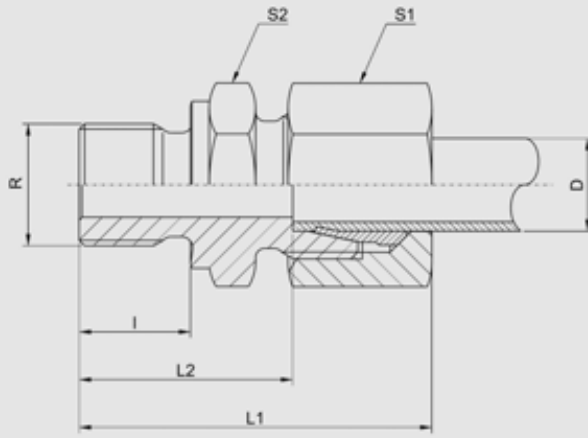
BAR



**ANILLO CORTANTE
CON JUNTAS**

*CUTTING RING
WITH SEALS*

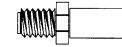
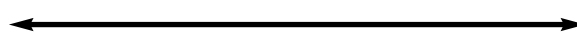
COD.	SERIE	PN BAR	D	L	REF.
0410300150	L	315	6	8,8	M.AFJ 6 L
0410300200	L	315	8	8,8	M.AFJ 8 L
0410300250	L	315	10	9,8	M.AFJ 10 L
0410300300	L	315	12	9,8	M.AFJ 12 L
0410300350	L	315	15	10,2	M.AFJ 15 L
0410300400	L	315	18	10,2	M.AFJ 18 L
0410300450	L	160	22	11,5	M.AFJ 22 L
0410300500	L	160	28	11,5	M.AFJ 28 L
0410300550	L	160	35	13,5	M.AFJ 35 L
0410300600	L	160	42	13,5	M.AFJ 42 L
0410300150	S	630	6	8,8	M.AFJ 6 S
0410300200	S	630	8	8,8	M.AFJ 8 S
0410300250	S	630	10	9,8	M.AFJ 10 S
0410300300	S	630	12	9,8	M.AFJ 12 S
0410300650	S	630	14	10,2	M.AFJ 14 S
0410300700	S	400	16	10,2	M.AFJ 16 S
0410300750	S	400	20	12,5	M.AFJ 20 S
0410300800	S	400	25	12,5	M.AFJ 25 S
0410300850	S	400	30	13,5	M.AFJ 30 S
0410300900	S	315	38	13,5	M.AFJ 38 S



M.REP (BSP)

37

BAR

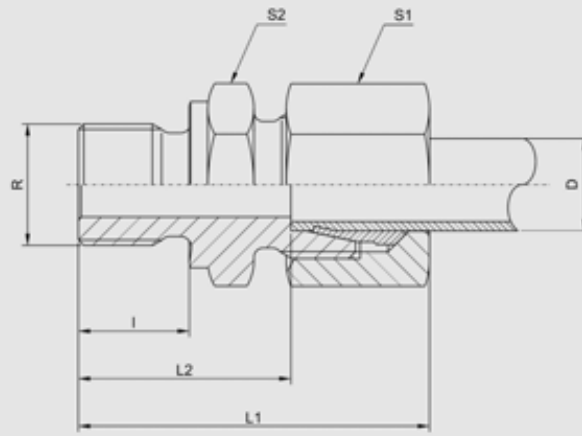


COD.	SERIE	PN BAR	D	R	I	L1	L2	S1	S2	REF.
011000000	LL	100	4	1/8" BSP	8	30	17	10	14	M.REP 4-1/8" LL
0110000100	LL	100	6	1/8" BSP	8	31	16,5	12	14	M.REP 6-1/8" LL
0110000200	LL	100	8	1/8" BSP	8	33	17,5	14	14	M.REP 8-1/8" LL
0110000300	LL	100	10	1/8" BSP	8	34	18	17	14	M.REP 10-1/8" LL
0110010000	L	315	6	1/8" BSP	8	31	16,5	14	14	M.REP 6-1/8" L
0110010020	L	315	6	1/4" BSP	12	36,5	22	14	19	M.REP 6-1/4" L
0110010050	L	315	8	1/4" BSP	12	37	22	17	19	M.REP 8-1/4" L
0110010070	L	315	8	3/8" BSP	12	38,5	23,5	17	22	M.REP 8-3/8" L
0110010100	L	315	10	1/4" BSP	12	38	23	19	19	M.REP 10-1/4" L
0110010120	L	315	10	3/8" BSP	12	39,5	24,5	19	22	M.REP 10-3/8" L
0110010150	L	315	12	3/8" BSP	12	39	24	22	22	M.REP 12-3/8" L
0110010170	L	315	12	1/4" BSP	12	37,5	23	22	22	M.REP 12-1/4" L
0110010190	L	315	12	1/2" BSP	14	42	27	22	27	M.REP 12-1/2" L
0110010200	L	315	15	1/2" BSP	14	43	28	27	27	M.REP 15-1/2" L
0110010220	L	315	15	3/8" BSP	12	40,5	25,5	27	24	M.REP 15-3/8" L
0110010250	L	315	18	1/2" BSP	14	45	28,5	32	27	M.REP 18-1/2" L
0110010290	L	315	18	3/4" BSP	16	47	29,5	32	32	M.REP 18-3/4" L
0110010300	L	160	22	3/4" BSP	16	49	33,5	36	32	M.REP 22-3/4" L
0110010350	L	160	28	1" BSP	18	52	35,5	41	41	M.REP 28-1" L
0110010400	L	160	35	1"1/4" BSP	20	59	37,5	50	50	M.REP 35-1"1/4 L
0110010450	L	160	42	1"1/2" BSP	22	64	41	60	55	M.REP 42-1"1/2 L
0110010500	S	630	6	1/4" BSP	12	40	25	17	19	M.REP 6-1/4" S
0110010550	S	630	8	1/4" BSP	12	42	27	19	19	M.REP 8-1/4" S
0110010600	S	630	10	3/8" BSP	12	43	27	22	22	M.REP 10-3/8" S
0110010650	S	630	12	3/8" BSP	12	45	29	24	22	M.REP 12-3/8" S
0110010670	S	630	12	1/2" BSP	14	47	31	24	27	M.REP 12-1/2" S
0110010700	S	630	14	1/2" BSP	14	51	33	27	27	M.REP 14-1/2" S
0110010720	S	630	14	3/8" BSP	12	49	31	27	24	M.REP 14-3/8" S
0110010750	S	400	16	1/2" BSP	14	52	33,5	30	27	M.REP 16-1/2" S
0110010770	S	400	16	3/8" BSP	12	49	30,5	30	27	M.REP 16-3/8" S
0110010790	S	400	16	3/4" BSP	16	54	35,5	30	32	M.REP 16-3/4" S
0110010800	S	400	20	3/4" BSP	16	58	36,5	36	32	M.REP 20-3/4" S
0110010850	S	400	25	1" BSP	18	65	41	46	41	M.REP 25-1" S
0110010900	S	400	30	1"1/4" BSP	20	70	43,5	50	50	M.REP 30-1"1/4 S
0110010950	S	315	38	1"1/2" BSP	22	79	48	60	55	M.REP 38-1"1/2 S

**UNIÓN SIMPLE
MACHO (BSP); DIN
3901; ISO 8434-1**

**MALE STUD CON-
NECTOR (BSP); DIN
3901; ISO 8434-1**

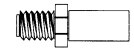
RACORES FITTINGS



38

M.REP (Metric)

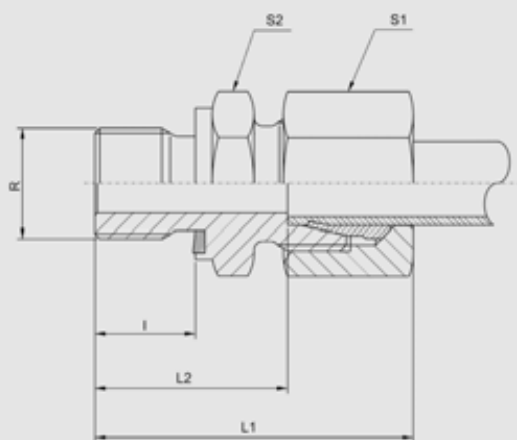
BAR



**UNIÓN SIMPLE MACHO
(MÉTRICO); DIN 3901;
ISO 8434-1**

**MALE STUD CONNec-
TOR (METRIC); DIN
3901; ISO 8434-1**

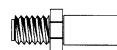
COD.	SERIE	PN BAR	D	R	I	L1	L2	S1	S2	REF.
0110020000	LL	100	4	M 6x0.75	6,5	28,5	15,5	10	10	M.REP 4-M 6x0.75 LL
0110020040	LL	100	4	M 6x1	6,5	28,5	15,5	10	10	M.REP 4-M 6x1 LL
0110020060	LL	100	4	M 8x1	8	30	17	10	12	M.REP 4-M 8x1 LL
0110020080	LL	100	6	M 6x0.75	6,5	28,5	14	12	11	M.REP 6-M 6x0.75 LL
0110020100	LL	100	6	M 6x1	6,5	28,5	14	12	11	M.REP 6-M 6x1 LL
0110030000	L	315	6	M 10x1	8	31	15,5	14	14	M.REP 6-M 10x1 L
0110030050	L	315	8	M 12x1.5	12	37	22	17	17	M.REP 8-M 12x1.5 L
0110030100	L	315	10	M 14x1.5	12	38	23	19	19	M.REP 10-M 14x1.5 L
0110030150	L	315	12	M 16x1.5	12	39	24,5	22	22	M.REP 12-M 16x1.5 L
0110030200	L	315	15	M 18x1.5	12	41	25,5	27	24	M.REP 15-M 18x1.5 L
0110030250	L	315	18	M 22x1.5	14	45	28,5	32	27	M.REP 18-M 22x1.5 L
0110030300	L	160	22	M 26x1.5	16	49	33,5	36	32	M.REP 22-M 26x1.5 L
0110030350	L	160	28	M 33x2	18	52	35,5	41	41	M.REP 28-M 33x2 L
0110030400	L	160	35	M 42x2	20	59	37,5	50	50	M.REP 35-M 42x2 L
0110030440	L	160	42	M 48x2	22	64	41	60	55	M.REP 42-M 48x2 L
0110030500	S	630	6	M 12x1.5	12	40	25	17	17	M.REP 6-M 12x1.5 S
0110030550	S	630	8	M 14x1.5	12	42	27	19	19	M.REP 8-M 14x1.5 S
0110030600	S	630	10	M 16x1.5	12	43	27,5	22	22	M.REP 10-M 16x1.5 S
0110030650	S	630	12	M 18x1.5	12	45	28	24	24	M.REP 12-M 18x1.5 S
0110030700	S	630	14	M 20x1.5	12	49	32	27	27	M.REP 14-M 20x1.5 S
0110030750	S	400	16	M 22x1.5	14	51	35,5	30	27	M.REP 16-M 22x1.5 S
0110030800	S	400	20	M 27x2	16	58	36,5	36	32	M.REP 20-M 27x2 S
0110030850	S	400	25	M 33x2	18	65	41	46	41	M.REP 25-M 33x2 S
0110030900	S	400	30	M 42x2	20	70	43,5	50	50	M.REP 30-M 42x2 S
0110030950	S	315	38	M 48x2	22	79	48	60	55	M.REP 38-M 48x2 S



M.REP ed (BSP)

39

BAR

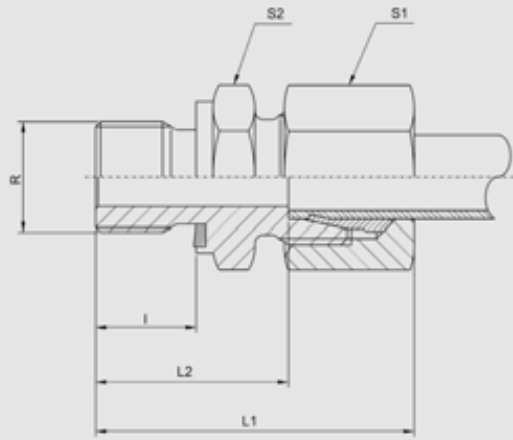


COD.	SERIE	PN BAR	D	R	I	L1	L2	S1	S2	REF.
0110780000	LL	100	4	1/8" BSP	8	30	17	10	14	M.REP 4-1/8" ed LL
0110780100	LL	100	6	1/8" BSP	8	31	16,5	12	14	M.REP 6-1/8" ed LL
0110780200	LL	100	8	1/8" BSP	8	33	17,5	14	14	M.REP 8-1/8" ed LL
0110780300	LL	100	10	1/8" BSP	8	34	18	17	14	M.REP 10-1/8" ed LL
0110790000	L	315	6	1/8" BSP	8	31	16,5	14	14	M.REP 6-1/8" ed L
0110790020	L	315	6	1/4" BSP	12	36,5	22	14	19	M.REP 6-1/4" ed L
0110790050	L	315	8	1/4" BSP	12	37	22	17	19	M.REP 8-1/4" ed L
0110790070	L	315	8	3/8" BSP	12	38,5	23,5	17	22	M.REP 8-3/8" ed L
0110790100	L	315	10	1/4" BSP	12	38	23	19	19	M.REP 10-1/4" ed L
0110790120	L	315	10	3/8" BSP	12	39,5	24,5	19	22	M.REP 10-3/8" ed L
0110790170	L	315	12	1/4" BSP	12	37,5	23	22	22	M.REP 12-1/4" ed L
0110790150	L	315	12	3/8" BSP	12	39	24	22	22	M.REP 12-3/8" ed L
0110790190	L	315	12	1/2" BSP	14	42	27	22	27	M.REP 12-1/2" ed L
0110790220	L	315	15	3/8" BSP	12	40,5	25,5	27	24	M.REP 15-3/8" ed L
0110790200	L	315	15	1/2" BSP	14	43	28	27	27	M.REP 15-1/2" ed L
0110790250	L	315	18	1/2" BSP	14	45	28,5	32	27	M.REP 18-1/2" ed L
0110790290	L	315	18	3/4" BSP	16	47	29,5	32	32	M.REP 18-3/4" ed L
0110790300	L	160	22	3/4" BSP	16	49	33,5	36	32	M.REP 22-3/4" ed L
0110790350	L	160	28	1" BSP	18	52	35,5	41	41	M.REP 28-1" ed L
0110790400	L	160	35	1"1/4 BSP	20	59	37,5	50	50	M.REP 35-1"1/4 ed L
0110790450	L	160	42	1"1/2 BSP	22	64	41	60	55	M.REP 42-1"1/2 ed L

**UNIÓN SIMPLE
MACHO CON JUNTA
"ED" (BSP)**

**MALE STUD CON-
NECTOR WITH SEAL
"ED" (BSP)**

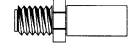
RACORES FITTINGS



40

M.REP ed (BSP)

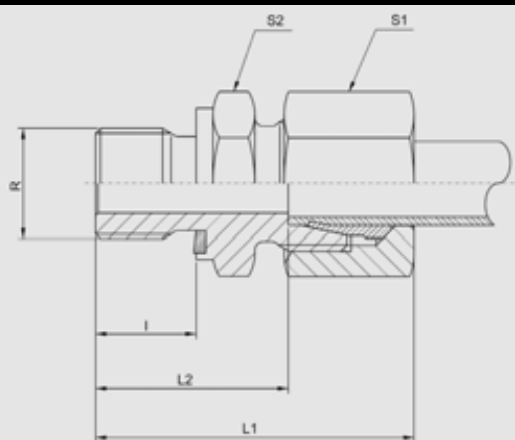
BAR



**UNIÓN SIMPLE
MACHO CON JUNTA
"ED" (BSP)**

**MALE STUD CON-
NECTOR WITH SEAL
"ED" (BSP)**

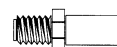
COD.	SERIE	PN BAR	D	R	I	L1	L2	S1	S2	REF.
0110790500	S	630	6	1/4" BSP	12	40	25	17	19	M.REP 6-1/4" ed S
0110790550	S	630	8	1/4" BSP	12	42	27	19	19	M.REP 8-1/4" ed S
0110790600	S	630	10	3/8" BSP	12	43	27	22	22	M.REP 10-3/8" ed S
0110790650	S	630	12	3/8" BSP	12	45	29	24	22	M.REP 12-3/8" ed S
0110790670	S	630	12	1/2" BSP	14	47	31	24	27	M.REP 12-1/2" ed S
0110790720	S	630	14	3/8" BSP	12	49	31	27	24	M.REP 14-3/8" ed S
0110790700	S	630	14	1/2" BSP	14	51	33	27	27	M.REP 14-1/2" ed S
0110790770	S	400	16	3/8" BSP	12	49	30,5	30	27	M.REP 16-3/8" ed S
0110790750	S	400	16	1/2" BSP	14	52	33,5	30	27	M.REP 16-1/2" ed S
0110790790	S	400	16	3/4" BSP	16	54	35,5	30	32	M.REP 16-3/4" ed S
0110790800	S	400	20	3/4" BSP	16	58	36,5	36	32	M.REP 20-3/4" ed S
0110790850	S	400	25	1" BSP	18	65	41	46	41	M.REP 25-1" ed S
0110790900	S	400	30	1"1/4" BSP	20	70	43,5	50	50	M.REP 30-1"1/4 ed S
0110790950	S	315	38	1"1/2" BSP	22	79	48	60	55	M.REP 38-1"1/2 ed S



M.REP ed (Metric)

41

BAR

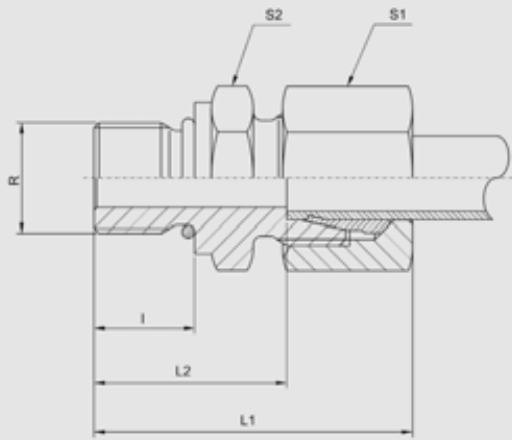


COD.	SERIE	PN BAR	D	R	I	L1	L2	S1	S2	REF.
0110880000	L	315	6	M10x1	8	31	15,5	14	14	M.REP 6-M10x1 ed L
0110880050	L	315	8	M12x1,5	12	37	22	17	17	M.REP 8-M12x1,5 ed L
0110880090	L	315	10	M12x1,5	12	38	23	19	17	M.REP 10-M12x1,5 ed L
0110880100	L	315	10	M14x1,5	12	38	23	19	19	M.REP 10-M14x1,5 ed L
0110880150	L	315	12	M16x1,5	12	39	24,5	22	22	M.REP 12-M16x1,5 ed L
0110880200	L	315	15	M18x1,5	12	41	25,5	27	24	M.REP 15-M18x1,5 ed L
0110880250	L	315	18	M22x1,5	14	45	28,5	32	27	M.REP 18-M22x1,5 ed L
0118080300	L	160	22	M26x1,5	16	49	33,5	36	32	M.REP 22-M26x1,5 ed L
0110880350	L	160	28	M33x2	18	52	35,5	41	41	M.REP 28-M33x2 ed L
0110880400	L	160	35	M42x2	20	59	37,5	50	50	M.REP 35-M42x2 ed L
0110880450	L	160	42	M48x2	22	64	41	60	55	M.REP 42-M48x2 ed L
0110880500	S	630	6	M12x1,5	12	40	25	17	17	M.REP 6-M12x1,5 ed S
0110880550	S	630	8	M14x1,5	12	42	27	19	19	M.REP 8-M14x1,5 ed S
0110880600	S	630	10	M16x1,5	12	43	27	22	22	M.REP 10-M16x1,5 ed S
0110880650	S	630	12	M18x1,5	12	45	28	24	24	M.REP 12-M18x1,5 ed S
0110880700	S	630	14	M20x1,5	12	49	32	27	27	M.REP 14-M20x1,5 ed S
0110880750	S	400	16	M22x1,5	14	51	35,5	30	27	M.REP 16-M22x1,5 ed S
0110880800	S	400	20	M27x2	16	58	36,5	36	32	M.REP 20-M27x2 ed S
0110880850	S	400	25	M33x2	18	65	41	46	41	M.REP 25-M33x2 ed S
0110880900	S	400	30	M42x2	20	70	43,5	50	50	M.REP 30-M42x2 ed S
0110880950	S	315	38	M48x2	22	79	48	60	55	M.REP 38-M48x2 ed S

**UNIÓN SIMPLE
MACHO CON JUNTA
"ED" (MÉTRICO)**

**MALE STUD CON-
NECTOR WITH SEAL
"ED" (METRIC)**

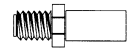
RACORES FITTINGS



42

M.REP (UNF/UN)

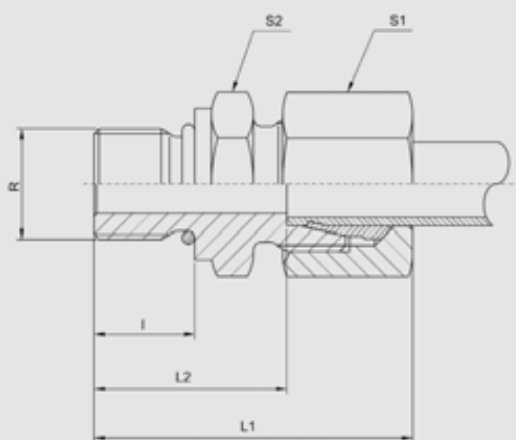
BAR



UNIÓN SIMPLE
MACHO (UNF/UN)

MALE STUD CON-
NECTOR (UNF/UN)

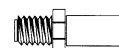
COD.	SERIE	PN BAR	D	R	I	L1	L2	S1	S2	REF.
0110890010	L	315	6	7/16"-20 UNF-2A	9,2	32,7	18,2	14	17	M.REP 6-7/16"-20 UNF-2A L
0110890020	L	315	8	7/16"-20 UNF-2A	9,2	34,2	19,2	17	17	M.REP 8-7/16"-20 UNF-2A L
0110890030	L	315	8	1/2"-20 UNF-2A	9,2	34,2	19,2	17	17	M.REP 8-1/2"-20 UNF-2A L
0110890040	L	315	8	9/16"-18 UNF-2A	10	35	20	17	19	M.REP 8-9/16"-18 UNF-2A L
0110890050	L	315	10	7/16"-20 UNF-2A	9,2	36,2	21,2	19	17	M.REP 10-7/16"-20 UNF-2A L
0110890060	L	315	10	9/16"-18 UNF-2A	10	36	21	19	19	M.REP 10-9/16"-18 UNF-2A L
0110890070	L	315	12	9/16"-18 UNF-2A	10	37	22,5	22	19	M.REP 12-9/16"-18 UNF-2A L
0110890080	L	315	12	3/4"-16 UNF-2A	11,2	38,2	23,7	22	24	M.REP 12-3/4"-16 UNF-2A L
0110890090	L	315	12	7/8"-14 UNF-2A	12,7	40,2	25,7	22	27	M.REP 12-7/8"-14 UNF-2A L
0110890100	L	315	15	9/16"-18 UNF-2A	10	39	24	27	24	M.REP 15-9/16"-18 UNF-2A L
0110890110	L	315	15	3/4"-16 UNF-2A	11,2	40,2	25,2	27	24	M.REP 15-3/4"-16 UNF-2A L
0110890120	L	315	15	7/8"-14 UNF-2A	12,7	41,7	26,7	27	27	M.REP 15-7/8"-14 UNF-2A L
0110890130	L	315	18	3/4"-16 UNF-2A	11,2	42,2	25,7	32	27	M.REP 18-3/4"-16 UNF-2A L
0110890140	L	315	18	7/8"-14 UNF-2A	12,7	43,7	27,2	32	27	M.REP 18-7/8"-14 UNF-2A L
0110890150	L	315	18	1"1/16-12 UN-2A	15	46	29,5	32	32	M.REP 18-1"1/16-12 UN-2A L
0110890160	L	160	22	7/8"-14 UNF-2A	12,7	45,7	29,2	36	32	M.REP 22-7/8"-14 UNF-2A L
0110890170	L	160	22	1"1/16-12 UN-2A	15	48	31,5	36	32	M.REP 22-1"1/16-12 UN-2A L
0110890180	L	160	22	1"5/16-12 UN-2A	15	48	31,5	36	41	M.REP 22-1"5/16-12 UN-2A L
0110890190	L	160	28	7/8"-14 UNF-2A	12,7	46,7	30,2	41	41	M.REP 28-7/8"-14 UNF-2A L
0110890200	L	160	28	1"1/16-12 UN-2A	15	49	32,5	41	41	M.REP 28-1"1/16-12 UN-2A L
0110890210	L	160	28	1"5/16-12 UN-2A	15	49	32,5	41	41	M.REP 28-1"5/16-12 UN-2A L
0110890220	L	160	28	1"5/8-12 UN-2A	15	49	32,5	41	50	M.REP 28-1"5/8-12 UN-2A L
0110890230	L	160	35	1"3/16-12 UN-2A	15	54	32,5	50	46	M.REP 35-1"3/16-12 UN-2A L
0110890240	L	160	35	1"5/16-12 UN-2A	15	54	32,5	50	46	M.REP 35-1"5/16-12 UN-2A L
0110890250	L	160	35	1"5/8-12 UN-2A	15	54	32,5	50	50	M.REP 35-1"5/8-12 UN-2A L
0110890260	L	160	42	1"5/8-12 UN-2A	15	57	34	60	55	M.REP 42-1"5/8-12 UN-2A L
0110890270	L	160	42	1"7/8-12 UN-2A	15	57	34,5	60	55	M.REP 42-1"7/8-12 UN-2A L



M.REP (UNF/UN)

43

BAR

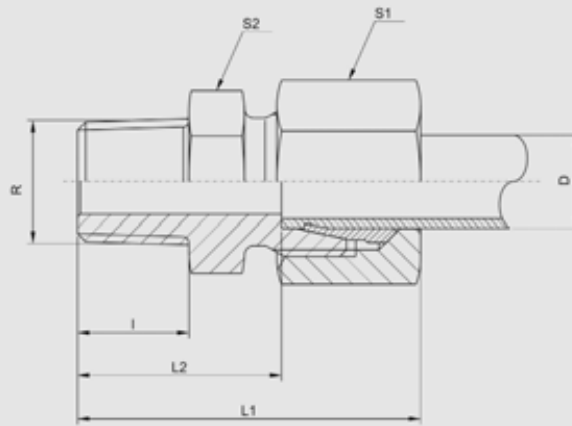
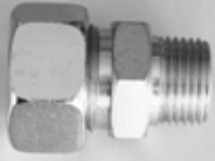


COD.	SERIE	PN BAR	D	R	I	L1	L2	S1	S2	REF.
0110890280	S	630	6	7/16"-20 UNF-2A	9,2	37,2	22,2	17	17	M.REP 6-7/16"-20 UNF-2A S
0110890290	S	630	8	7/16"-20 UNF-2A	9,2	39,2	24,2	19	17	M.REP 8-7/16"-20 UNF-2A S
0110890300	S	630	8	1/2"-20 UNF-2A	9,2	39,2	24,2	19	17	M.REP 8-1/2"-20 UNF-2A S
0110890310	S	630	10	9/16"-18 UNF-2A	10	41	25	22	19	M.REP 10-9/16"-18 UNF-2A S
0110890320	S	630	10	3/4"-16 UNF-2A	11,2	42,2	26,2	22	24	M.REP 10-3/4"-16 UNF-2A S
0110890340	S	630	12	3/4"-16 UNF-2A	11,2	44,7	28,7	24	24	M.REP 12-3/4"-16 UNF-2A S
0110890350	S	630	12	7/8"-14 UNF-2A	12,7	45,2	29,2	24	27	M.REP 12-7/8"-14 UNF-2A S
0110890360	S	630	14	9/16"-18 UNF-2A	10	47	29	27	24	M.REP 14-9/16"-18 UNF-2A S
0110890370	S	630	14	3/4"-16 UNF-2A	11,2	48,2	30,2	27	24	M.REP 14-3/4"-16 UNF-2A S
0110890380	S	400	16	3/4"-16 UNF-2A	11,2	48,2	29,7	30	27	M.REP 16-3/4"-16 UNF-2A S
0110890390	S	400	16	7/8"-14 UNF-2A	14	47,5	29	30	30	M.REP 16-7/8"-14 UNF-2A S
0110890400	S	400	16	1"1/16-12 UN-2A	15	52	33,5	30	32	M.REP 16-1"1/16-12 UN-2A S
0110890410	S	400	20	3/4"-16 UNF-2A	11,2	53,2	31,7	36	32	M.REP 20-3/4"-16 UNF-2A S
0110890420	S	400	20	7/8"-14 UNF-2A	12,7	54,7	33,2	36	32	M.REP 20-7/8"-14 UNF-2A S
0110890430	S	400	20	1"1/16-12 UN-2A	15	57	35,5	36	32	M.REP 20-1"1/16-12 UN-2A S
0110890450	S	400	25	1"1/16-12 UN-2A	15	62	38	46	41	M.REP 25-1"1/16-12 UN-2A S
0110890460	S	400	25	1"5/16-12 UN-2A	15	62	38	46	41	M.REP 25-1"5/16-12 UN-2A S
0110890470	S	400	30	1"1/16-12 UN-2A	15	65	38,5	50	46	M.REP 30-1"1/16-12 UN-2A S
0110890480	S	400	30	1"5/16-12 UN-2A	15	65	38,5	50	46	M.REP 30-1"5/16-12 UN-2A S
0110890490	S	400	30	1"5/8-12 UN-2A	15	65	38,5	50	50	M.REP 30-1"5/8-12 UN-2A S
0110890500	S	315	38	1"5/8-12 UN-2A	15	72	41	60	55	M.REP 38-1"5/8-12 UN-2A S
0110890510	S	315	38	1"7/8-12 UN-2A	15	72	41	60	55	M.REP 38-1"7/8-12 UN-2A S

**UNIÓN SIMPLE
MACHO (UNF/UN)**

**MALE STUD CON-
NECTOR (UNF/UN)**

RACORES FITTINGS



44

M.RED (BSPT)

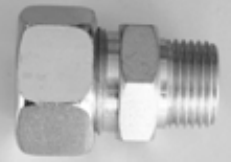
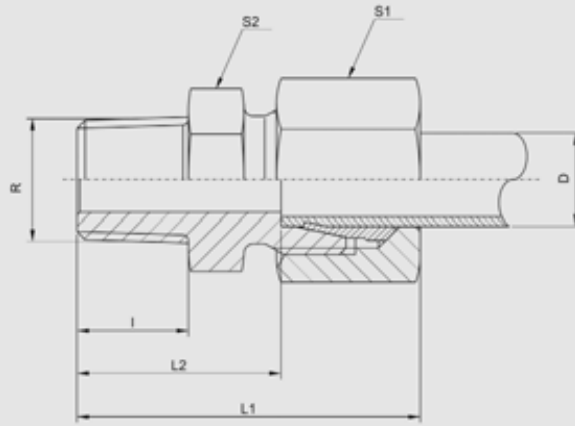


**UNIÓN SIMPLE MACHO
(BSPT); DIN 3900**

*MALE STUD CONNec-
TOR (BSPT); DIN 3900*

COD.	SERIE	PN BAR	D	R	I	L1	L2	S1	S2	REF.
0110060000	LL	100	4	1/8" BSPT	8	27	14	10	10	M.RED 4-1/8" LL
0110060100	LL	100	6	1/8" BSPT	8	27,5	14	12	11	M.RED 6-1/8" LL
0110060150	LL	100	8	1/8" BSPT	8	29	16	14	12	M.RED 8-1/8" LL
0110060200	LL	100	10	1/8" BSPT	8	32	17,5	17	14	M.RED 10-1/8" LL
0110070020	L	315	6	1/4" BSPT	12	34	20	14	14	M.RED 6-1/4" L
0110070050	L	315	8	1/4" BSPT	12	36	20	17	17	M.RED 8-1/4" L
0110070070	L	315	8	3/8" BSPT	12	37,5	21	17	19	M.RED 8-3/8" L
0110070100	L	315	10	1/4" BSPT	12	37	22	19	17	M.RED 10-1/4" L
0110070110	L	315	10	3/8" BSPT	12	38	22	19	19	M.RED 10-3/8" L
0110070150	L	315	12	3/8" BSPT	12	38	22	22	19	M.RED 12-3/8" L
0110070160	L	315	12	1/4" BSPT	12	37	24	22	19	M.RED 12-1/4" L
0110070170	L	315	12	1/2" BSPT	14	40	24	22	22	M.RED 12-1/2" L
0110070200	L	315	15	1/2" BSPT	14	40,5	27	27	24	M.RED 15-1/2" L
0110070210	L	315	15	3/8" BSPT	12	38	25	27	24	M.RED 15-3/8" L
0110070250	L	315	18	1/2" BSPT	14	44,5	27,5	32	27	M.RED 18-1/2" L
0110070300	L	160	22	3/4" BSPT	16	45,5	31,5	36	32	M.RED 22-3/4" L
0110070350	L	160	28	1" BSPT	18	49	34,5	41	41	M.RED 28-1" L
0110070400	L	160	35	1 1/4" BSPT	20	56,5	35	50	46	M.RED 35-1 1/4" L
0110070450	L	160	42	1 1/2" BSPT	22	61	38	60	55	M.RED 42-1 1/2" L
0110070500	S	630	6	1/4" BSPT	12	40	23	17	17	M.RED 6-1/4" S
0110070550	S	630	8	1/4" BSPT	12	40	23	19	19	M.RED 8-1/4" S
0110070600	S	630	10	3/8" BSPT	12	41	23,5	22	22	M.RED 10-3/8" S
0110070650	S	630	12	3/8" BSPT	12	43	23,5	24	22	M.RED 12-3/8" S
0110070700	S	630	14	1/2" BSPT	14	48	25	27	24	M.RED 14-1/2" S
0110070770	S	400	16	3/8" BSPT	12	46	27,5	30	27	M.RED 16-3/8" S
0110070750	S	400	16	1/2" BSPT	14	48	24,5	30	27	M.RED 16-1/2" S
0110070800	S	400	20	3/4" BSPT	16	55	31,5	36	32	M.RED 20-3/4" S
0110070850	S	400	25	1" BSPT	18	62	34	46	41	M.RED 25-1" S
0110070900	S	400	30	1 1/4" BSPT	20	68	41	50	46	M.RED 30-1 1/4" S
0110070950	S	315	38	1 1/2" BSPT	22	76	45	60	55	M.RED 38-1 1/2" S

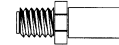
RACORES FITTINGS



M.RED (NPT)

45

BAR

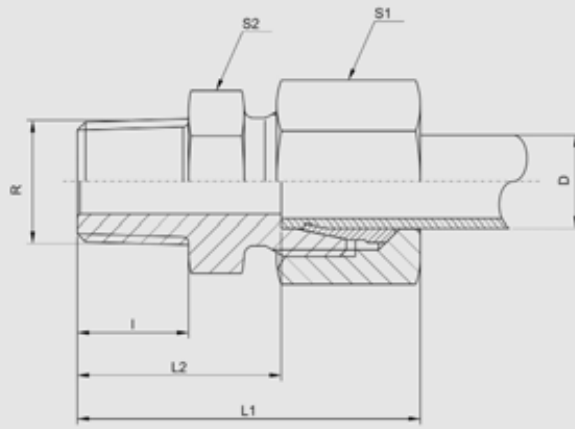
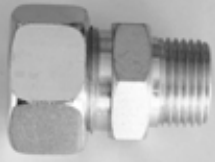


COD.	SERIE	PN BAR	D	R	I	L1	L2	S1	S2	REF.
011010000	LL	100	4	1/8" NPT	9,9	30,9	21,4	10	11	M.RED 4-1/8" NPT LL
0110100100	LL	100	6	1/8" NPT	9,9	31,4	19,9	12	11	M.RED 6-1/8" NPT LL
0110100150	LL	100	8	1/8" NPT	9,9	34,4	21,9	14	12	M.RED 8-1/8" NPT LL
0110110000	L	315	6	1/8" NPT	9,9	34,9	20,4	14	12	M.RED 6-1/8" NPT L
0110110020	L	315	6	1/4" NPT	15,1	40,6	25,6	14	17	M.RED 6-1/4" NPT L
0110110060	L	315	8	1/8" NPT	9,9	36,4	21,4	17	14	M.RED 8-1/8" NPT L
0110110050	L	315	8	1/4" NPT	15,1	43,1	28,1	17	17	M.RED 8-1/4" NPT L
0110110070	L	315	8	3/8" NPT	15,2	44,2	29,2	17	19	M.RED 8-3/8" NPT L
0110110090	L	315	10	1/8" NPT	9,9	38,4	23,4	19	17	M.RED 10-1/8" NPT L
0110110100	L	315	10	1/4" NPT	15,1	44,1	29,1	19	17	M.RED 10-1/4" NPT L
0110110110	L	315	10	3/8" NPT	15,2	45,2	30,2	19	19	M.RED 10-3/8" NPT L
0110110160	L	315	12	1/4" NPT	15,1	44,6	30,1	22	19	M.RED 12-1/4" NPT L
0110110150	L	315	12	3/8" NPT	15,2	44,7	30,2	22	19	M.RED 12-3/8" NPT L
0110110170	L	315	12	1/2" NPT	19,8	50,8	36,3	22	24	M.RED 12-1/2" NPT L
0110110210	L	315	15	3/8" NPT	15,2	46,2	31,2	27	24	M.RED 15-3/8" NPT L
0110110200	L	315	15	1/2" NPT	19,8	52,3	37,3	27	24	M.RED 15-1/2" NPT L
0110110250	L	315	18	1/2" NPT	19,8	54,3	37,8	32	27	M.RED 18-1/2" NPT L
0110110300	L	160	22	3/4" NPT	20,1	56,6	40,1	36	32	M.RED 22-3/4" NPT L
0110110350	L	160	28	1" NPT	25	64,5	48	41	41	M.RED 28-1" NPT L
0110110400	L	160	35	1"1/4" NPT	25,6	70,6	49,1	50	46	M.RED 35-1"1/4" NPT L
0110110450	L	160	42	1"1/2" NPT	26	74	51	60	55	M.RED 42-1"1/2" NPT L

**UNIÓN SIMPLE
MACHO (NPT)**

**MALE STUD CON-
NECTOR (NPT)**

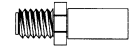
RACORES FITTINGS



46

M.RED (NPT)

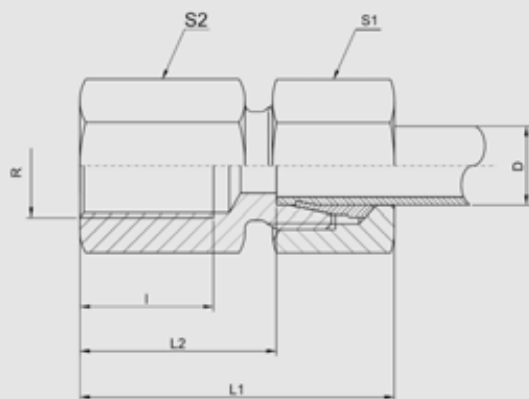
BAR



**UNIÓN SIMPLE
MACHO (NPT)**

*MALE STUD CON-
NECTOR (NPT)*

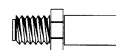
COD.	SERIE	PN BAR	D	R	I	L1	L2	S1	S2	REF.
0110110500	S	630	6	1/4" NPT	15,1	46,1	31,1	17	17	M.RED 6-1/4" NPT S
0110110550	S	630	8	1/4" NPT	15,1	48,1	33,1	19	17	M.RED 8-1/4" NPT S
0110110590	S	630	10	1/4" NPT	15,1	48,6	32,6	22	19	M.RED 10-1/4" NPT S
0110110600	S	630	10	3/8" NPT	15,2	48,7	32,7	22	19	M.RED 10-3/8" NPT S
0110110640	S	630	12	1/4" NPT	15,1	49,6	34,6	24	22	M.RED 12-1/4" NPT S
0110110650	S	630	12	3/8" NPT	15,2	50,7	34,7	24	22	M.RED 12-3/8" NPT S
0110110670	S	630	12	1/2" NPT	19,8	56,8	40,8	24	24	M.RED 12-1/2" NPT S
0110110720	S	630	14	3/8" NPT	15,2	54,2	36,2	27	24	M.RED 14-3/8" NPT S
0110110700	S	630	14	1/2" NPT	19,8	60,3	42,3	27	27	M.RED 14-1/2" NPT S
0110110770	S	400	16	3/8" NPT	15,2	54,2	35,7	30	27	M.RED 16-3/8" NPT S
0110110750	S	400	16	1/2" NPT	19,8	60,3	41,8	30	27	M.RED 16-1/2" NPT S
0110110790	S	400	16	3/4" NPT	20,1	60,6	42,1	30	30	M.RED 16-3/4" NPT S
0110110800	S	400	20	3/4" NPT	20,1	65,6	44,1	36	32	M.RED 20-3/4" NPT S
0110110810	S	400	25	3/4" NPT	20,1	70,6	46,6	46	41	M.RED 25-3/4" NPT S
0110110850	S	400	25	1" NPT	25	77,5	53,5	46	41	M.RED 25-1" NPT S
0110110900	S	400	30	1"1/4" NPT	25,6	81,6	55,1	50	46	M.RED 30-1"1/4" NPT S
0110110950	S	315	38	1"1/2" NPT	26	89	58	60	55	M.RED 38-1"1/2" NPT S



M.REDF

47

BAR

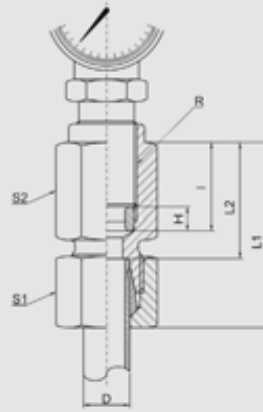


COD.	SERIE	PN BAR	D	R	I	L1	L2	S1	S2	REF.
0110120000	LL	100	4	1/8" BSP	12	27	19	10	14	M.REDF 4-1/8" LL
0110120020	LL	100	4	1/4" BSP	17	30	23	10	19	M.REDF 4-1/4" LL
0110120050	LL	100	6	1/8" BSP	12	32	16	12	14	M.REDF 6-1/8" LL
0110130000	L	315	6	1/8" BSP	12	34	18	14	14	M.REDF 6-1/8" L
0110130020	L	315	6	1/4" BSP	17	37	22	14	19	M.REDF 6-1/4" L
0110130050	L	315	8	1/4" BSP	17	39	22	17	19	M.REDF 8-1/4" L
0110130100	L	315	10	1/4" BSP	17	40	23	19	19	M.REDF 10-1/4" L
0110130150	L	315	12	3/8" BSP	17	41	25	22	22	M.REDF 12-3/8" L
0110130200	L	315	15	1/2" BSP	20	48	27	27	27	M.REDF 15-1/2" L
0110130250	L	315	18	1/2" BSP	20	47	27	32	27	M.REDF 18-1/2" L
0110130300	L	160	22	3/4" BSP	22	52	31	36	32	M.REDF 22-3/4" L
0110130350	L	160	28	1" BSP	24	55	34	41	41	M.REDF 28-1" L
0110130400	L	160	35	1"1/4" BSP	26	63	39	55	50	M.REDF 35-1"1/4" L
0110130450	L	160	42	1"1/2" BSP	28	65	42	60	60	M.REDF 42-1"1/2" L
0110130500	S	630	6	1/4" BSP	17	41	25	17	19	M.REDF 6-1/4" S
0110130550	S	630	8	1/4" BSP	17	41	25	19	19	M.REDF 8-1/4" S
0110130600	S	630	10	3/8" BSP	17	43	25	22	22	M.REDF 10-3/8" S
0110130650	S	630	12	3/8" BSP	17	43	25	24	22	M.REDF 12-3/8" S
0110130700	S	630	14	1/2" BSP	20	50	28	27	27	M.REDF 14-1/2" S
0110130750	S	400	16	1/2" BSP	20	50	30	30	27	M.REDF 16-1/2" S
0110130800	S	400	20	3/4" BSP	22	56	31	30	32	M.REDF 20-3/4" S
0110130850	S	400	25	1" BSP	24	62	33	41	41	M.REDF 25-1" S
0110130900	S	400	30	1"1/4" BSP	26	69	39	55	50	M.REDF 30-1"1/4" S
0110130950	S	315	38	1"1/2" BSP	28	74	42	60	60	M.REDF 38-1"1/2" S

**UNIÓN SIMPLE
HEMBRA (BSP)**

**FEMALE CONNECTOR
(BSP)**

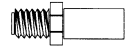
RACORES FITTINGS



48

M.REDM

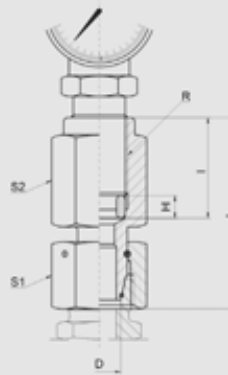
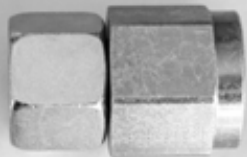
BAR



RACOR PARA
MANÓMETRO

PRESSURE GAUGE
CONNECTOR

COD.	SERIE	PN BAR	Ø TUB. EXT	R	L	H	L1	L2	S1	S2	REF.
0110160000	L	315	6	1/4" BSP	14,5	5	37	22	14	19	M.REDM 6-1/4" L
0110160050	L	315	8	1/4" BSP	14,5	5	37	22	17	19	M.REDM 8-1/4" L
0110160100	L	315	10	1/4" BSP	14,5	5	38	23	19	19	M.REDM 10-1/4" L
0110160130	L	315	12	1/4" BSP	14,5	5	38	23	22	19	M.REDM 12-1/4" L
0110160200	S	630	6	1/2" BSP	20	6	46	31	17	27	M.REDM 6-1/2" S
0110160250	S	630	8	1/2" BSP	20	6	46	31	19	27	M.REDM 8-1/2" S
0110160300	S	630	10	1/2" BSP	20	6	47	30,5	22	27	M.REDM 10-1/2" S
0110160350	S	630	12	1/2" BSP	20	6	47	30,5	24	27	M.REDM 12-1/2" S



M.REDME

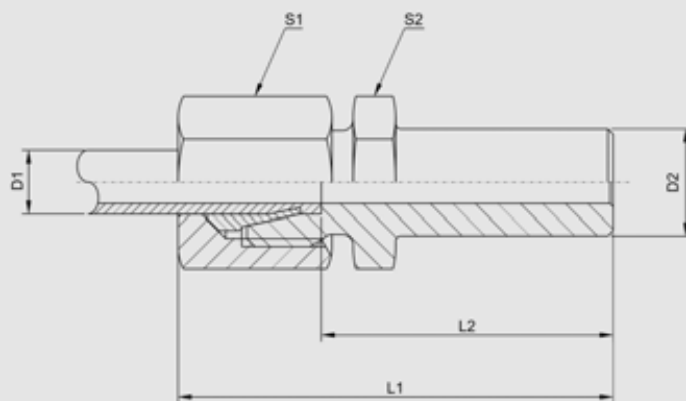
BAR



RACOR PARA
MANÓMETRO DKO

PRESSURE GAUGE
SWIVEL CONNECTOR

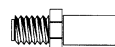
COD.	SERIE	PN BAR	D	R	I	H	L	S1	S2	REF.
0110160550	L	315	6	1/4" BSP	14,5	4,6	37,5	14	19	M.REDME 6-1/4" DKO L
0110160600	L	315	8	1/4" BSP	14,5	4,6	37,5	17	19	M.REDME 8-1/4" DKO L
0110160650	L	315	10	1/4" BSP	14,5	4,6	36	19	19	M.REDME 10-1/4" DKO L
0110160700	L	315	12	1/4" BSP	14,5	4,6	36	22	19	M.REDME 12-1/4" DKO L
0110160750	S	630	6	1/2" BSP	20	5,2	44,5	17	27	M.REDME 6-1/2" DKO S
0110160800	S	630	8	1/2" BSP	20	5,2	44,5	19	27	M.REDME 8-1/2" DKO S
0110160850	S	630	10	1/2" BSP	20	5,2	43,5	22	27	M.REDME 10-1/2" DKO S
0110160900	S	630	12	1/2" BSP	20	5,2	45	24	27	M.REDME 12-1/2" DKO S



M.REP E

49

BAR

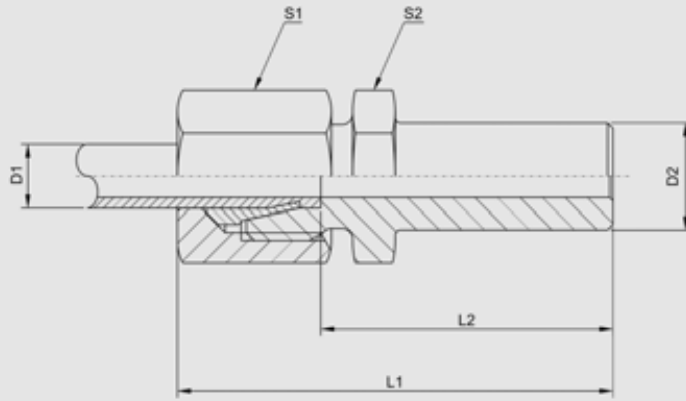


COD.	SERIE	PN BAR	D2	D1	L1	L2	S1	S2	REF.
0110040050	L	315	8	6	40	25,5	14	12	M.REP E 8-6 L
0110040100	L	315	10	6	41	27,5	14	14	M.REP E 10-6 L
0110040110	L	315	10	8	42	27,5	17	14	M.REP E 10-8 L
0110040150	L	315	12	6	41	27,5	14	14	M.REP E 12-6 L
0110040160	L	315	12	8	42	27,5	17	14	M.REP E 12-8 L
0110040170	L	315	12	10	43	28,5	19	17	M.REP E 12-10 L
0110040200	L	315	15	6	43	29	14	17	M.REP E 15-6 L
0110040210	L	315	15	8	44	29	17	17	M.REP E 15-8 L
0110040220	L	315	15	10	45	30	19	17	M.REP E 15-10 L
0110040230	L	315	15	12	46	31	22	19	M.REP E 15-12 L
0110040250	L	315	18	6	45	31	14	19	M.REP E 18-6 L
0110040260	L	315	18	8	46	31	17	19	M.REP E 18-8 L
0110040270	L	315	18	10	47	32	19	19	M.REP E 18-10 L
0110040280	L	315	18	12	48	33	22	19	M.REP E 18-12 L
0110040290	L	315	18	15	49	33	27	24	M.REP E 18-15 L
0110040300	L	160	22	10	49	34	19	24	M.REP E 22-10 L
0110040310	L	160	22	12	50	35	22	24	M.REP E 22-12 L
0110040320	L	160	22	15	51	35	27	24	M.REP E 22-15 L
0110040330	L	160	22	18	53	35	32	27	M.REP E 22-18 L
0110040350	L	160	28	12	51	36	22	30	M.REP E 28-12 L
0110040360	L	160	28	15	52	36	27	30	M.REP E 28-15 L
0110040370	L	160	28	18	54	36	32	30	M.REP E 28-18 L
0110040380	L	160	28	22	56	38	36	32	M.REP E 28-22 L
0110040400	L	160	35	15	58	43	27	36	M.REP E 35-15 L
0110040410	L	160	35	18	60	44	32	36	M.REP E 35-18 L
0110040420	L	160	35	22	62	46	36	36	M.REP E 35-22 L
0110040430	L	160	35	28	63	46,5	41	41	M.REP E 35-28 L
0110040450	L	160	42	18	61	44,5	32	46	M.REP E 42-18 L
0110040460	L	160	42	22	63	46,5	36	46	M.REP E 42-22 L
0110040470	L	160	42	28	64	47,5	41	46	M.REP E 42-28 L
0110040480	L	160	42	35	69	47,5	50	46	M.REP E 42-35 L

**RACOR DE
REDUCCIÓN**

*REDUCING
CONNECTOR*

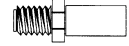
RACORES FITTINGS



50

M.REP E

BAR

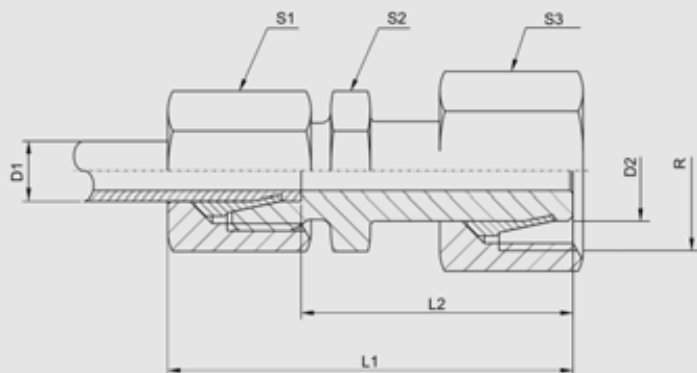


RACOR DE
REDUCCIÓN

REDUCING
CONNECTOR

COD.	SERIE	PN BAR	D2	D1	L1	L2	S1	S2	REF.
0110040550	S	630	8	6	45	30	17	14	M.REP E 8-6 S
0110040600	S	630	10	6	47	31,5	17	17	M.REP E 10-6 S
0110040610	S	630	10	8	49	31,5	19	17	M.REP E 10-8 S
0110040650	S	630	12	6	47	33	17	14	M.REP E 12-6 S
0110040660	S	630	12	8	49	33	19	17	M.REP E 12-8 S
0110040670	S	630	12	10	50	33	22	19	M.REP E 12-10 S
0110040700	S	630	14	6	50	35	17	17	M.REP E 14-6 S
0110040710	S	630	14	8	51	35	19	17	M.REP E 14-8 S
0110040720	S	630	14	10	52	35	22	19	M.REP E 14-10 S
0110040730	S	630	14	12	54	36	24	22	M.REP E 14-12 S
0110040750	S	400	16	6	50	38	17	17	M.REP E 16-6 S
0110040760	S	400	16	8	52	38	19	17	M.REP E 16-8 S
0110040770	S	400	16	10	53	38	22	19	M.REP E 16-10 S
0110040780	S	400	16	12	55	38	24	22	M.REP E 16-12 S
0110040790	S	400	16	14	58	40	27	24	M.REP E 16-14 S
0110040800	S	400	20	8	57	43	19	22	M.REP E 20-8 S
0110040810	S	400	20	10	58	43	22	22	M.REP E 20-10 S
0110040820	S	400	20	12	60	43	24	22	M.REP E 20-12 S
0110040830	S	400	20	14	63	44	27	24	M.REP E 20-14 S
0110040840	S	400	20	16	63	45,5	30	27	M.REP E 20-16 S
0110040850	S	400	25	10	60	46	22	27	M.REP E 25-10 S
0110040860	S	400	25	12	62	46,5	24	27	M.REP E 25-12 S
0110040870	S	400	25	14	65	47	27	27	M.REP E 25-14 S
0110040880	S	400	25	16	65	48,5	30	27	M.REP E 25-16 S
0110040890	S	400	25	20	70	47,5	36	32	M.REP E 25-20 S
0110040900	S	400	30	12	68	51,5	24	32	M.REP E 30-12 S
0110040910	S	400	30	14	71	53	27	32	M.REP E 30-14 S
0110040920	S	400	30	16	71	53	30	32	M.REP E 30-16 S
0110040930	S	400	30	20	71	55	36	32	M.REP E 30-20 S
0110040940	S	400	30	25	81	57	46	41	M.REP E 30-25 S
0110040950	S	315	38	16	74	55,5	30	41	M.REP E 38-16 S
0110040960	S	315	38	20	79	58	36	41	M.REP E 38-20 S
0110040970	S	315	38	25	84	60	46	41	M.REP E 38-25 S
0110040980	S	315	38	30	87	60,5	50	46	M.REP E 38-30 S

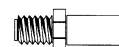
RACORES FITTINGS



M.REP E (LT)

51

BAR

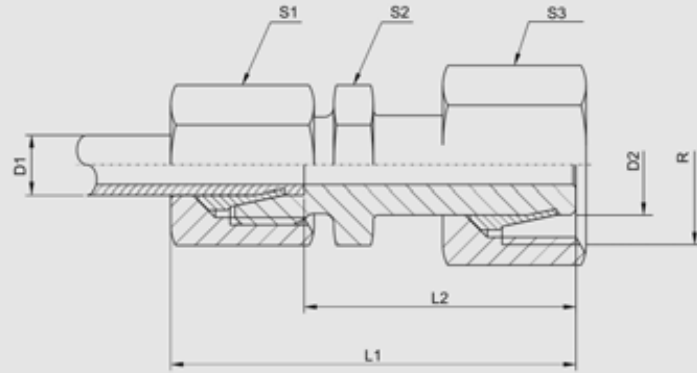


COD.	SERIE	PN BAR	D2	D1	R	L1	L2	S1	S2	S3	REF.
0110050050	L	315	8	6	M14x1,5	40	25,5	14	12	17	M.REP E 8-6 LT
0110050100	L	315	10	6	M16x1,5	41	27,5	14	14	19	M.REP E 10-6 LT
0110050110	L	315	10	8	M16x1,5	42	27,5	17	14	19	M.REP E 10-8 LT
0110050150	L	315	12	6	M18x1,5	41	27,5	14	14	22	M.REP E 12-6 LT
0110050160	L	315	12	8	M18x1,5	42	27,5	17	14	22	M.REP E 12-8 LT
0110050170	L	315	12	10	M18x1,5	43	28,5	19	17	22	M.REP E 12-10 LT
0110050200	L	315	15	6	M22x1,5	43	29	14	17	27	M.REP E 15-6 LT
0110050210	L	315	15	8	M22x1,5	44	29	17	17	27	M.REP E 15-8 LT
0110050220	L	315	15	10	M22x1,5	45	30	19	17	27	M.REP E 15-10 LT
0110050230	L	315	15	12	M22x1,5	46	31	22	19	27	M.REP E 15-12 LT
0110050250	L	315	18	6	M26x1,5	45	31	14	19	32	M.REP E 18-6 LT
0110050260	L	315	18	8	M26x1,5	46	31	17	19	32	M.REP E 18-8 LT
0110050270	L	315	18	10	M26x1,5	47	32	19	19	32	M.REP E 18-10 LT
0110050280	L	315	18	12	M26x1,5	48	33	22	19	32	M.REP E 18-12 LT
0110050290	L	315	18	15	M26x1,5	49	33	27	24	32	M.REP E 18-15 LT
0110050300	L	160	22	10	M30x2	49	34	19	24	36	M.REP E 22-10 LT
0110050310	L	160	22	12	M30x2	50	35	22	24	36	M.REP E 22-12 LT
0110050320	L	160	22	15	M30x2	51	35	27	24	36	M.REP E 22-15 LT
0110050330	L	160	22	18	M30x2	53	35	32	27	36	M.REP E 22-18 LT
0110050350	L	160	28	12	M36x2	51	36	22	30	41	M.REP E 28-12 LT
0110050360	L	160	28	15	M36x2	52	36	27	30	41	M.REP E 28-15 LT
0110050370	L	160	28	18	M36x2	54	36	32	30	41	M.REP E 28-18 LT
0110050380	L	160	28	22	M36x2	56	38	36	32	41	M.REP E 28-22 LT
0110050400	L	160	35	15	M45x2	58	43	27	36	50	M.REP E 35-15 LT
0110050410	L	160	35	18	M45x2	60	44	32	36	50	M.REP E 35-18 LT
0110050420	L	160	35	22	M45x2	62	46	36	36	50	M.REP E 35-22 LT
0110050430	L	160	35	28	M45x2	63	46,5	41	41	50	M.REP E 35-28 LT
0110050450	L	160	42	18	M52x2	61	44,5	32	46	60	M.REP E 42-18 LT
0110050460	L	160	42	22	M52x2	63	46,5	36	46	60	M.REP E 42-22 LT
0110050470	L	160	42	28	M52x2	64	47,5	41	46	60	M.REP E 42-28 LT
0110050480	L	160	42	35	M52x2	69	47,5	50	46	60	M.REP E 42-35 LT

**RACOR DE
REDUCCIÓN
PREMONTADO**

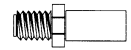
*REDUCING
CONNECTOR
PRE-ASSEMBLED*

RACORES FITTINGS



52

M.REP E (ST)

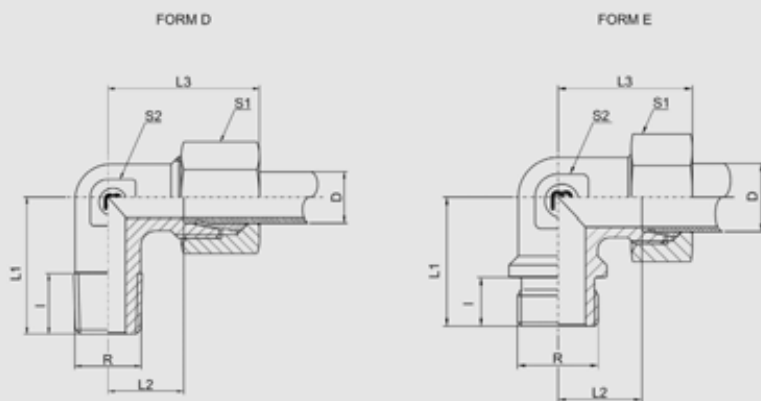


**RACOR DE
REDUCCIÓN
PREMONTADO**

*REDUCING
CONNECTOR
PRE-ASSEMBLED*

COD.	SERIE	PN BAR	D2	D1	R	L1	L2	S1	S2	S3	REF.
0110050550	S	630	8	6	M16x1,5	45	30	17	14	19	M.REP E 8-6 ST
0110050600	S	630	10	6	M18x1,5	47	31,5	17	17	22	M.REP E 10-6 ST
0110050610	S	630	10	8	M18x1,5	49	31,5	19	17	22	M.REP E 10-8 ST
0110050650	S	630	12	6	M20x1,5	47	33	17	14	24	M.REP E 12-6 ST
0110050660	S	630	12	8	M20x1,5	49	33	19	17	24	M.REP E 12-8 ST
0110050670	S	630	12	10	M20x1,5	50	33	22	19	24	M.REP E 12-10 ST
0110050700	S	630	14	6	M22x1,5	50	35	17	17	27	M.REP E 14-6 ST
0110050710	S	630	14	8	M22x1,5	51	35	19	17	27	M.REP E 14-8 ST
0110050720	S	630	14	10	M22x1,5	52	35	22	19	27	M.REP E 14-10 ST
0110050730	S	630	14	12	M22x1,5	54	36	24	22	27	M.REP E 14-12 ST
0110050750	S	400	16	6	M24x1,5	50	38	17	17	30	M.REP E 16-6 ST
0110050760	S	400	16	8	M24x1,5	52	38	19	17	30	M.REP E 16-8 ST
0110050770	S	400	16	10	M24x1,5	53	38	22	19	30	M.REP E 16-10 ST
0110050780	S	400	16	12	M24x1,5	55	38	24	22	30	M.REP E 16-12 ST
0110050790	S	400	16	14	M24x1,5	58	40	27	24	30	M.REP E 16-14 ST
0110050800	S	400	20	8	M30x2	57	43	19	22	36	M.REP E 20-8 ST
0110050810	S	400	20	10	M30x2	58	43	22	22	36	M.REP E 20-10 ST
0110050820	S	400	20	12	M30x2	60	43	24	22	36	M.REP E 20-12 ST
0110050830	S	400	20	14	M30x2	63	44	27	24	36	M.REP E 20-14 ST
0110050840	S	400	20	16	M30x2	63	45,5	30	27	36	M.REP E 20-16 ST
0110050850	S	400	25	10	M36x2	60	46	22	27	46	M.REP E 25-10 ST
0110050860	S	400	25	12	M36x2	62	46,5	24	27	46	M.REP E 25-12 ST
0110050870	S	400	25	14	M36x2	65	47	27	27	46	M.REP E 25-14 ST
0110050880	S	400	25	16	M36x2	65	48,5	30	27	46	M.REP E 25-16 ST
0110050890	S	400	25	20	M36x2	70	47,5	36	32	46	M.REP E 25-20 ST
0110050900	S	400	30	12	M42x2	68	51,5	24	32	50	M.REP E 30-12 ST
0110050910	S	400	30	14	M42x2	71	53	27	32	50	M.REP E 30-14 ST
0110050920	S	400	30	16	M42x2	71	53	30	32	50	M.REP E 30-16 ST
0110050930	S	400	30	20	M42x2	71	55	36	32	50	M.REP E 30-20 ST
0110050940	S	400	30	25	M42x2	81	57	46	41	50	M.REP E 30-25 ST
0110050950	S	315	38	16	M52x2	74	55,5	30	41	60	M.REP E 38-16 ST
0110050960	S	315	38	20	M52x2	79	58	36	41	60	M.REP E 38-20 ST
0110050970	S	315	38	25	M52x2	84	60	46	41	60	M.REP E 38-25 ST
0110050980	S	315	38	30	M52x2	87	60,5	50	46	60	M.REP E 38-30 ST

RACORES FITTINGS



M.REL

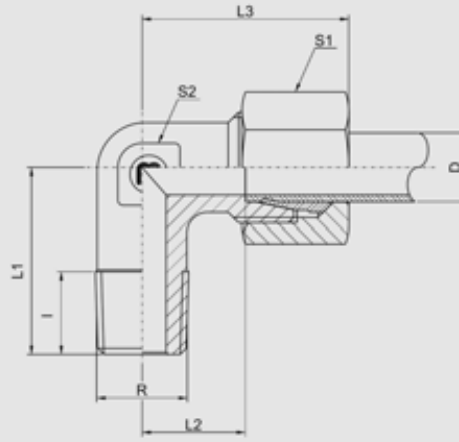
53

COD.	SERIE	PN BAR	D	R	FORM.	I	L1	L2	L3	S1	S2	REF.
0110170050	LL	100	4	1/8" BSPT	D	8	17	12	22	10	9	M.REL 4-1/8" LL
0110170100	LL	100	6	1/8" BSPT	D	8	17	9,5	21	12	9	M.REL 6-1/8" LL
0110170110	LL	100	8	1/8" BSPT	D	8	20	11,5	27	14	12	M.REL 8-1/8" LL
0110170150	LL	100	10	1/8" BSPT	D	8	24	11,5	32	17	14	M.REL 10-1/8" LL
0110180000	L	315	6	1/8" BSPT	D	8	20	12	27	14	12	M.REL 6-1/8" L
0110180010	L	315	6	1/4" BSPT	D	12	21	12	27	14	12	M.REL 6-1/4" L
0110180050	L	315	8	1/4" BSPT	D	12	26	14	29	17	12	M.REL 8-1/4" L
0110180100	L	315	10	1/4" BSPT	D	12	27	15	30	19	14	M.REL 10-1/4" L
0110180110	L	315	10	3/8" BSPT	D	12	28	15	30	19	17	M.REL 10-3/8" L
0110180130	L	315	12	1/4" BSPT	D	12	28	17	32	22	17	M.REL 12-1/4" L
0110180150	L	315	12	3/8" BSPT	D	12	28	17	32	22	17	M.REL 12-3/8" L
0110180160	L	315	12	1/2" BSPT	D	14	33	22	32	22	19	M.REL 12-1/2" L
0110180170	L	315	15	3/8" BSPT	D	12	32	21	36	27	19	M.REL 15-3/8" L
0110180200	L	315	15	1/2" BSPT	D	14	34	21	36	27	19	M.REL 15-1/2" L
0110180250	L	315	18	1/2" BSPT	D	14	36	23,5	40	32	24	M.REL 18-1/2" L
0110180300	L	160	22	3/4" BSP	E	16	42	27,5	44	36	27	M.REL 22-3/4" L
0110180350	L	160	28	1" BSP	E	18	48	30,5	47	41	36	M.REL 28-1" L
0110180400	L	160	35	1"1/4 BSP	E	20	54	34,5	56	50	41	M.REL 35-1"1/4 L
0110180450	L	160	42	1"1/2 BSP	E	22	61	40	63	60	50	M.REL 42-1"1/2 L
0110180500	S	630	6	1/4" BSPT	D	12	26	16	31	17	12	M.REL 6-1/4" S
0110180550	S	630	8	1/4" BSPT	D	12	27	17	32	19	14	M.REL 8-1/4" S
0110180600	S	630	10	3/8" BSPT	D	12	28	17,5	34	22	17	M.REL 10-3/8" S
0110180650	S	630	12	3/8" BSPT	D	12	28	21,5	38	24	19	M.REL 12-3/8" S
0110180700	S	630	14	1/2" BSPT	D	14	32	22	40	27	19	M.REL 14-1/2" S
0110180750	S	400	16	1/2" BSPT	D	14	32	24,5	43	30	24	M.REL 16-1/2" S
0110180800	S	400	20	3/4" BSP	E	16	42	25,5	48	36	27	M.REL 20-3/4" S
0110180850	S	400	25	1" BSP	E	18	48	30	54	46	36	M.REL 25-1" S
0110180900	S	400	30	1"1/4 BSP	E	20	54	35,5	62	50	41	M.REL 30-1"1/4 S
0110180950	S	315	38	1"1/2 BSP	E	22	61	41	72	60	50	M.REL 38-1"1/2 S

**UNIÓN ESCUADRA
MACHO (BSPT –
BSP); DIN 3903; DIN
3904; ISO 8434-1**

**MALE STUD ELBOW
(BSPT – BSP); DIN
3903; DIN 3904; ISO
8434-1**

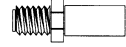
RACORES FITTINGS



54

M.REL (Metric)

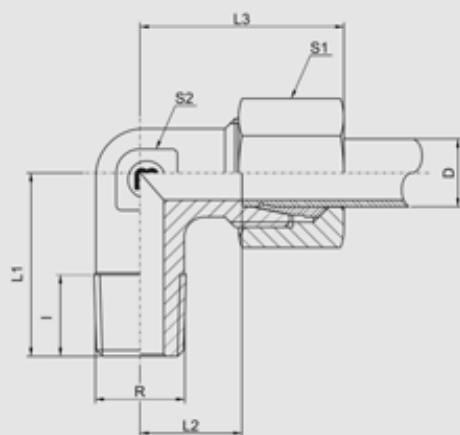
BAR



**UNIÓN ESCUADRA
MACHO (MÉTRICO)**

**MALE STUD ELBOW
(METRIC)**

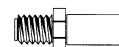
COD.	SERIE	PN BAR	D	R	I	L1	L2	L3	S1	S2	REF.
0110190000	LL	100	4	M 6x0,75	6	15	11	21	10	9	M.REL 4-M 6x0,75 LL
0110190040	LL	100	4	M 6x1	6	15	11	21	10	9	M.REL 4-M 6x1 LL
0110190060	LL	100	4	M8x1	8	12	11	21	10	9	M.REL 4-M8x1 LL
0110190080	LL	100	6	M 6x0,75	6	15	11	25	12	9	M.REL 6-M 6x0,75 LL
0110190100	LL	100	6	M 6x1	6	15	11	25	12	9	M.REL 6-M 6x1 LL
0110190110	LL	100	6	M8x1	8	12	9,5	21	12	11	M.REL 6-M8x1 LL
0110190050	LL	100	6	M10x1	8	12	9,5	21	12	11	M.REL 6-M10x1 LL
0110190030	LL	100	8	M10x1	8	15	11,5	23	14	12	M.REL 8-M10x1 LL
0110200000	L	315	6	M10x1	8	15	12	27	14	12	M.REL 6-M10x1 L
0110200050	L	315	8	M12x1,5	12	18	14	29	17	14	M.REL 8-M12x1,5 L
0110200100	L	315	10	M14x1,5	12	19	15	30	19	17	M.REL 10-M14x1,5 L
0110200150	L	315	12	M16x1,5	12	20	17	32	22	19	M.REL 12-M16x1,5 L
0110200200	L	315	15	M18x1,5	12	24	21	36	27	19	M.REL 15-M18x1,5 L
0110200250	L	315	18	M22x1,5	14	26,5	23,5	40	32	24	M.REL 18-M22x1,5 L
0110200500	S	630	6	M12x1,5	12	18	16	31	17	14	M.REL 6-M12x1,5 S
0110200550	S	630	8	M14x1,5	12	19	17	32	19	17	M.REL 8-M14x1,5 S
0110200600	S	630	10	M16x1,5	12	20	17,5	34	22	19	M.REL 10-M16x1,5 S
0110200650	S	630	12	M18x1,5	12	20	21,5	38	24	22	M.REL 12-M18x1,5 S
0110200700	S	630	14	M20x1,5	14	22,5	22	40	27	19	M.REL 14-M20x1,5 S
0110200750	S	400	16	M22x1,5	14	22,5	24,5	43	30	24	M.REL 16-M22x1,5 S



M.REL (NPT)

55

BAR

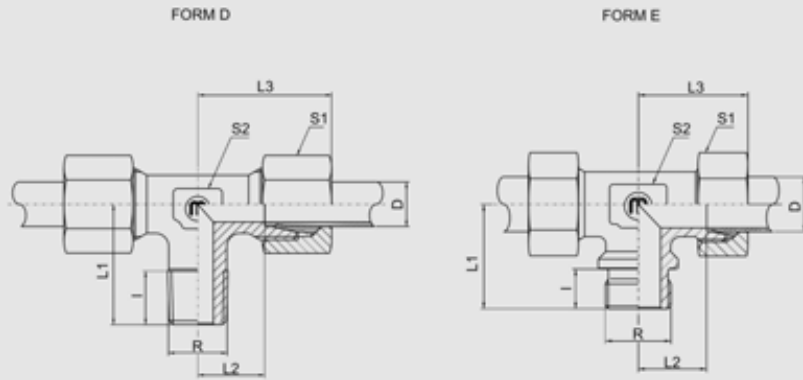


COD.	SERIE	PN BAR	D	R	I	L1	L2	L3	S1	S2	REF.
0110210050	LL	100	4	1/8" NPT	9,9	11,5	11	21	10	11	M.REL 4-1/8" NPT LL
0110210100	LL	100	6	1/8" NPT	9,9	11,5	9,5	21	12	11	M.REL 6-1/8" NPT LL
0110210110	LL	100	8	1/8" NPT	9,9	15,9	11,5	23	14	12	M.REL 8-1/8" NPT LL
0110220000	L	315	6	1/8" NPT	9,9	15,9	12	27	14	12	M.REL 6-1/8" NPT L
0110220010	L	315	6	1/4" NPT	15,1	20,2	14	29	14	14	M.REL 6-1/4" NPT L
0110220050	L	315	8	1/4" NPT	15,1	20,2	14	29	17	14	M.REL 8-1/4" NPT L
0110220100	L	315	10	1/4" NPT	15,1	21,2	15	30	19	17	M.REL 10-1/4" NPT L
0110220130	L	315	12	1/4" NPT	15,1	22,2	17	32	22	19	M.REL 12-1/4" NPT L
0110220150	L	315	12	3/8" NPT	15,2	21,9	17	32	22	19	M.REL 12-3/8" NPT L
0110220160	L	315	12	1/2" NPT	19,8	19,5	21	36	22	24	M.REL 12-1/2" NPT L
0110220200	L	315	15	1/2" NPT	19,8	22,5	24	39	27	24	M.REL 15-1/2" NPT L
0110220250	L	315	18	1/2" NPT	19,8	23,5	23,5	40	32	24	M.REL 18-1/2" NPT L
0110220300	L	160	22	3/4" NPT	20,1	28,5	27,5	44	36	27	M.REL 22-3/4" NPT L
0110220360	L	160	28	1" NPT	25	32,5	30,5	47	41	36	M.REL 28-1" NPT L
0110220400	L	160	35	1"1/4" NPT	25,6	37	34,5	56	50	41	M.REL 35-1"1/4" NPT L
0110220450	L	160	42	1"1/2" NPT	26	44	40	63	60	50	M.REL 42-1"1/2" NPT L
0110220500	S	630	6	1/4" NPT	15,1	20,2	16	31	17	14	M.REL 6-1/4" NPT S
0110220550	S	630	8	1/4" NPT	15,1	21,2	17	32	19	17	M.REL 8-1/4" NPT S
0110220600	S	630	10	3/8" NPT	15,2	21,9	17,5	34	22	19	M.REL 10-3/8" NPT S
0110220650	S	630	12	3/8" NPT	15,2	22,9	21,5	38	24	22	M.REL 12-3/8" NPT S
0110220700	S	630	14	1/2" NPT	19,8	19,5	25	43	27	24	M.REL 14-1/2" NPT S
0110220750	S	400	16	1/2" NPT	19,8	19,5	24,5	43	30	24	M.REL 16-1/2" NPT S
0110220810	S	400	20	3/4" NPT	20,1	28,5	26,5	48	36	27	M.REL 20-3/4" NPT S
0110220860	S	400	25	1" NPT	25	32,5	30	54	46	36	M.REL 25-1" NPT S
0110220900	S	400	30	1"1/4" NPT	25,6	37	35,5	62	50	41	M.REL 30-1"1/4" NPT S
0110220950	S	315	38	1"1/2" NPT	26	44	41	72	60	50	M.REL 38-1"1/2" NPT S

UNIÓN ESCUADRA
MACHO (NPT)

MALE STUD ELBOW
(NPT)

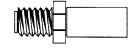
RACORES FITTINGS



56

M.RET

BAR

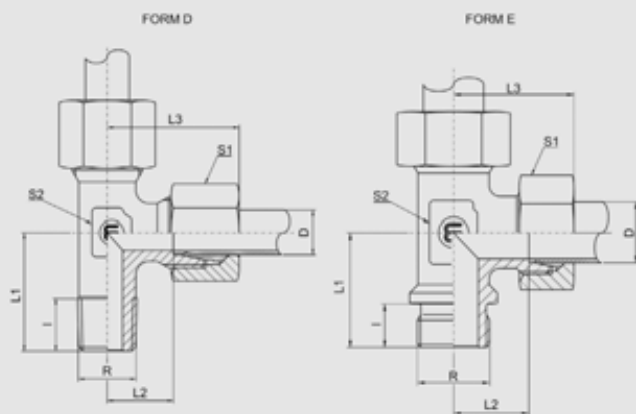


**UNIÓN "T" MACHO;
DIN 3906; DIN 3907;
ISO 8434-1**

**MALE STUD
BRANCH TEE; DIN
3906; DIN 3907; ISO
8434-1**

COD.	SERIE	PN BAR	D	R	FORM.	I	L1	L2	L3	S1	S2	REF.
0110270000	LL	100	4	1/8" BSPT	D	8	17	12	21	10	9	M.RET 4-1/8" LL
0110270050	LL	100	6	1/8" BSPT	D	8	17	9,5	21	12	9	M.RET 6-1/8" LL
0110270100	LL	100	8	1/8" BSPT	D	8	20	11,5	23	14	12	M.RET 8-1/8" LL
0110280000	L	315	6	1/8" BSPT	D	8	20	12	27	14	12	M.RET 6-1/8" L
0110280020	L	315	6	1/4" BSPT	D	12	21	12	27	14	12	M.RET 6-1/4" L
0110280050	L	315	8	1/4" BSPT	D	12	26	14	29	17	14	M.RET 8-1/4" L
0110280100	L	315	10	1/4" BSPT	D	12	27	15	30	19	15	M.RET 10-1/4" L
0110280150	L	315	12	3/8" BSPT	D	12	28	17	32	22	17	M.RET 12-3/8" L
0110280200	L	315	15	1/2" BSPT	D	14	34	21	36	27	19	M.RET 15-1/2" L
0110280250	L	315	18	1/2" BSPT	D	14	36	23,5	40	32	24	M.RET 18-1/2" L
0110280300	L	160	22	3/4" BSP	E	16	42	27,5	44	36	27	M.RET 22-3/4" L
0110280350	L	160	28	1" BSP	E	18	48	30,5	47	41	36	M.RET 28-1" L
0110280400	L	160	35	1"1/4 BSP	E	20	54	34,5	56	50	41	M.RET 35-1"1/4 L
0110280450	L	160	42	1"1/2 BSP	E	22	61	40	63	60	50	M.RET 42-1"1/2 L
0110280500	S	630	6	1/4" BSPT	D	12	26	16	31	17	14	M.RET 6-1/4" S
0110280550	S	630	8	1/4" BSPT	D	12	27	17	32	19	17	M.RET 8-1/4" S
0110280600	S	630	10	3/8" BSPT	D	12	28	18	34	22	19	M.RET 10-3/8" S
0110280650	S	630	12	3/8" BSPT	D	12	28	20,5	38	24	22	M.RET 12-3/8" S
0110280700	S	630	14	1/2" BSPT	D	14	32	22	40	27	19	M.RET 14-1/2" S
0110280750	S	400	16	1/2" BSPT	D	14	32	24,5	43	30	24	M.RET 16-1/2" S
0110280800	S	400	20	3/4" BSP	E	16	42	25,5	48	36	27	M.RET 20-3/4" S
0110280850	S	400	25	1" BSP	E	18	48	30	54	46	36	M.RET 25-1" S
0110280900	S	400	30	1"1/4 BSP	E	20	54	35,5	62	50	41	M.RET 30-1"1/4 S
0110280950	S	315	38	1"1/2 BSP	E	22	61	41	72	60	50	M.RET 38-1"1/2 S

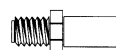
RACORES FITTINGS



M.RETI

57

BAR

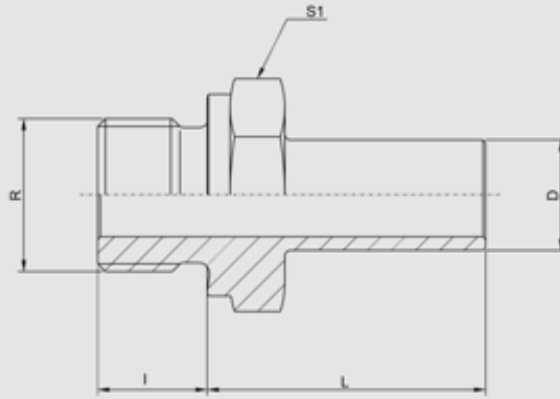


COD.	SERIE	PN BAR	D	R	FORM.	I	L1	L2	L3	S1	S2	REF.
0110370000	LL	100	4	1/8" BSPT	D	8	17	12,5	21	10	9	M.RETI 4-1/8" LL
0110370050	LL	100	6	1/8" BSPT	D	8	17	9,5	21	12	9	M.RETI 6-1/8" LL
0110370100	LL	100	8	1/8" BSPT	D	8	20	11,5	23	14	12	M.RETI 8-1/8" LL
0110380000	L	315	6	1/8" BSPT	D	8	20	12	27	14	12	M.RETI 6-1/8" L
0110380020	L	315	6	1/4" BSPT	D	12	21	12	27	14	12	M.RETI 6-1/4" L
0110380050	L	315	8	1/4" BSPT	D	12	26	14	29	17	14	M.RETI 8-1/4" L
0110380100	L	315	10	1/4" BSPT	D	12	27	15	30	19	15	M.RETI 10-1/4" L
0110380150	L	315	12	3/8" BSPT	D	12	28	17	32	22	17	M.RETI 12-3/8" L
0110380200	L	315	15	1/2" BSPT	D	14	34	21	36	27	19	M.RETI 15-1/2" L
0110380250	L	315	18	1/2" BSPT	D	14	36	23,5	40	32	24	M.RETI 18-1/2" L
0110380300	L	160	22	3/4" BSP	E	16	42	27,5	44	36	27	M.RETI 22-3/4" L
0110380350	L	160	28	1" BSP	E	18	48	30,5	47	41	36	M.RETI 28-1" L
0110380400	L	160	35	1"1/4 BSP	E	20	54	34,5	56	50	41	M.RETI 35-1"1/4 L
0110380450	L	160	42	1"1/2 BSP	E	22	61	40	63	60	50	M.RETI 42-1"1/2 L
0110380500	S	630	6	1/4" BSPT	D	12	26	16	31	17	14	M.RETI 6-1/4" S
0110380550	S	630	8	1/4" BSPT	D	12	27	17	32	19	17	M.RETI 8-1/4" S
0110380600	S	630	10	3/8" BSPT	D	12	28	17,5	34	22	19	M.RETI 10-3/8" S
0110380650	S	630	12	3/8" BSPT	D	12	28	20,5	38	24	22	M.RETI 12-3/8" S
0110380700	S	630	14	1/2" BSPT	D	14	32	22	40	27	19	M.RETI 14-1/2" S
0110380750	S	400	16	1/2" BSPT	D	14	32	24,5	43	30	24	M.RETI 16-1/2" S
0110380800	S	400	20	3/4" BSP	E	16	42	26,5	48	36	27	M.RETI 20-3/4" S
0110380850	S	400	25	1" BSP	E	18	48	28	54	46	36	M.RETI 25-1" S
0110380900	S	400	30	1"1/4 BSP	E	20	54	35,5	62	50	41	M.RETI 30-1"1/4 S
0110380950	S	315	38	1"1/2 BSP	E	22	61	41	72	60	50	M.RETI 38-1"1/2 S

**UNIÓN EN "L"
MACHO; DIN 3913;
DIN 3914**

**MALE STUD RUN
TEE; DIN 3913; DIN
3914**

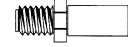
RACORES FITTINGS



58

M.ELM

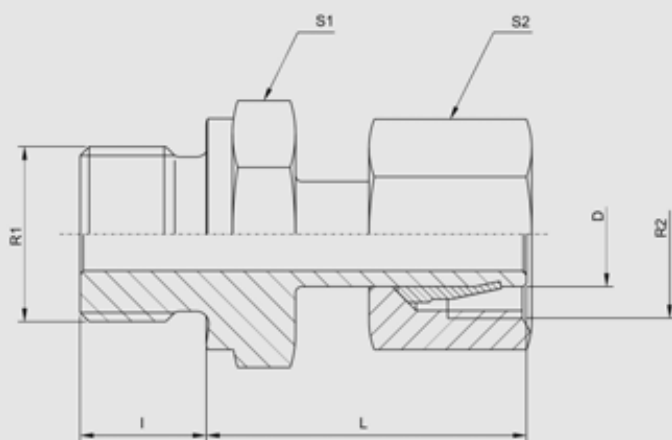
BAR



UNIÓN SIMPLE
ORIENTABLE
MACHO DIN 3852

STANDPIPE CON-
NECTOR DIN 3852

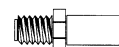
COD.	SERIE	PN BAR	D	R	I	L	S1	REF.
0110640000	L	315	6	1/8" BSP	8	24	14	M.ELM 6-1/8" L
0110640020	L	315	6	1/4" BSP	12	27	19	M.ELM 6-1/4" L
0110640040	L	315	8	3/8" BSP	12	27	22	M.ELM 8-3/8" L
0110640050	L	315	8	1/4" BSP	12	27	19	M.ELM 8-1/4" L
0110640100	L	315	10	1/4" BSP	12	28	19	M.ELM 10-1/4" L
0110640120	L	315	10	3/8" BSP	12	29	22	M.ELM 10-3/8" L
0110640150	L	315	12	3/8" BSP	12	29	22	M.ELM 12-3/8" L
0110640170	L	315	12	1/4" BSP	12	27,5	19	M.ELM 12-1/4" L
0110640190	L	315	12	1/2" BSP	14	30	27	M.ELM 12-1/2" L
0110640200	L	315	15	1/2" BSP	14	31	27	M.ELM 15-1/2" L
0110640220	L	315	15	3/8" BSP	12	30,5	22	M.ELM 15-3/8" L
0110640250	L	315	18	1/2" BSP	14	31	27	M.ELM 18-1/2" L
0110640260	L	315	18	3/4" BSP	16	34	32	M.ELM 18-3/4" L
0110640300	L	160	22	3/4" BSP	16	35	32	M.ELM 22-3/4" L
0110640350	L	160	28	1" BSP	18	36	41	M.ELM 28-1" L
0110640400	L	160	35	1"1/4 BSP	20	42,5	50	M.ELM 35-1"1/4 L
0110640450	L	160	42	1"1/2 BSP	22	46,5	55	M.ELM 42-1"1/2 L
0110640500	S	630	6	1/4" BSP	12	27	19	M.ELM 6-1/4" S
0110640550	S	630	8	1/4" BSP	12	29,5	19	M.ELM 8-1/4" S
0110640600	S	630	10	3/8" BSP	12	32	22	M.ELM 10-3/8" S
0110640650	S	630	12	3/8" BSP	12	34	22	M.ELM 12-3/8" S
0110640670	S	630	12	1/2" BSP	14	35	27	M.ELM 12-1/2" S
0110640700	S	630	14	1/2" BSP	14	36,5	27	M.ELM 14-1/2" S
0110640710	S	630	14	3/4" BSP	16	34,5	32	M.ELM 14-3/4" S
0110640720	S	630	14	3/8" BSP	12	35	22	M.ELM 14-3/8" S
0110640730	S	400	16	3/8" BSP	12,4	37,2	22	M.ELM 16-3/8" S
0110640750	S	400	16	1/2" BSP	14	37	27	M.ELM 16-1/2" S
0110640770	S	400	16	3/4" BSP	16	38	32	M.ELM 16-3/4" S
0110640800	S	400	20	3/4" BSP	16	43	32	M.ELM 20-3/4" S
0110640810	S	400	25	3/4" BSP	16,2	46,6	32	M.ELM 25-3/4" S
0110640850	S	400	25	1" BSP	18	48	41	M.ELM 25-1" S
0110640900	S	400	30	1"1/4 BSP	20	51	50	M.ELM 30-1"1/4 S
0110640950	S	315	38	1"1/2 BSP	22	60	55	M.ELM 38-1"1/2 S



M.ELM (LT/ST)

59

BAR

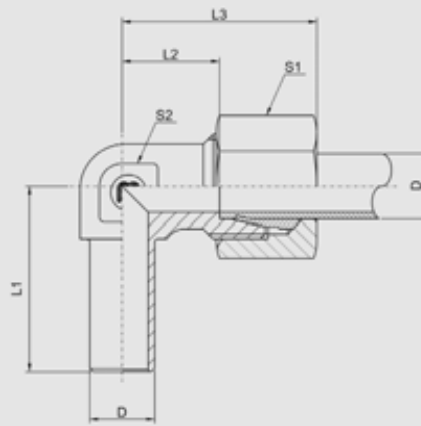


COD.	SERIE	PN BAR	D	R1	R2	I	L	S1	S2	REF.
0110670000	L	315	6	1/8"	M12x1,5	8	24	14	14	M.ELM 6-1/8" LT
0110670020	L	315	6	1/4"	M12x1,5	12	27	19	14	M.ELM 6-1/4" LT
0110670050	L	315	8	1/4"	M14x1,5	12	27	19	17	M.ELM 8-1/4" LT
0110670040	L	315	8	3/8"	M14x1,5	12	27	22	17	M.ELM 8-3/8" LT
0110670100	L	315	10	1/4"	M16x1,5	12	28	19	19	M.ELM 10-1/4" LT
0110670120	L	315	10	3/8"	M16x1,5	12	29	22	19	M.ELM 10-3/8" LT
0110670170	L	315	12	1/4"	M18x1,5	12	27,5	19	22	M.ELM 12-1/4" LT
0110670150	L	315	12	3/8"	M18x1,5	12	29	22	22	M.ELM 12-3/8" LT
0110670190	L	315	12	1/2"	M18x1,5	14	30	27	22	M.ELM 12-1/2" LT
0110670220	L	315	15	3/8"	M22x1,5	12	30,5	22	27	M.ELM 15-3/8" LT
0110670200	L	315	15	1/2"	M22x1,5	14	31	27	27	M.ELM 15-1/2" LT
0110670250	L	315	18	1/2"	M26x1,5	14	31	27	32	M.ELM 18-1/2" LT
0110670260	L	315	18	3/4"	M26x1,5	16	34	32	32	M.ELM 18-3/4" LT
0110670300	L	160	22	3/4"	M30x2	16	35	32	36	M.ELM 22-3/4" LT
0110670350	L	160	28	1"	M36x2	18	36	41	41	M.ELM 28-1" LT
0110670400	L	160	35	1"1/4	M45x2	20	42,5	50	50	M.ELM 35-1"1/4 LT
0110670450	L	160	42	1"1/2	M52x2	22	46,5	55	60	M.ELM 42-1"1/2 LT
0110670500	S	630	6	1/4"	M14x1,5	12	27	19	17	M.ELM 6-1/4" ST
0110670550	S	630	8	1/4"	M16x1,5	12	29,5	19	19	M.ELM 8-1/4" ST
0110670600	S	630	10	3/8"	M18x1,5	12	32	22	22	M.ELM 10-3/8" ST
0110670650	S	630	12	3/8"	M20x1,5	12	34	22	24	M.ELM 12-3/8" ST
0110670670	S	630	12	1/2"	M20x1,5	14	35	27	24	M.ELM 12-1/2" ST
0110670720	S	630	14	3/8"	M22x1,5	12	35	22	27	M.ELM 14-3/8" ST
0110670700	S	630	14	1/2"	M22x1,5	14	36,5	27	27	M.ELM 14-1/2" ST
0110670710	S	630	14	3/4"	M22x1,5	16	34,5	32	27	M.ELM 14-3/4" ST
0110670730	S	400	16	3/8"	M24x1,5	12,4	37,2	22	30	M.ELM 16-3/8" ST
0110670750	S	400	16	1/2"	M24x1,5	14	37	27	30	M.ELM 16-1/2" ST
0110670770	S	400	16	3/4"	M24x1,5	16	38	32	30	M.ELM 16-3/4" ST
0110670800	S	400	20	3/4"	M30x2	16	43	32	36	M.ELM 20-3/4" ST
0110670810	S	400	25	3/4"	M36x2	16,2	46,6	32	46	M.ELM 25-3/4" ST
0110670850	S	400	25	1"	M36x2	18	48	41	46	M.ELM 25-1" ST
0110670900	S	400	30	1"1/4	M42x2	20	51	50	50	M.ELM 30-1"1/4 ST
0110670950	S	315	38	1"1/2	M52x2	22	60	55	60	M.ELM 38-1"1/2 ST

**UNIÓN SIMPLE
ORIENTABLE
MACHO DIN 3852**

**STANDPIPE
CONNECTOR
PRE-ASSEMBLED
DIN 3852**

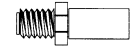
RACORES FITTINGS



60

M.REL E

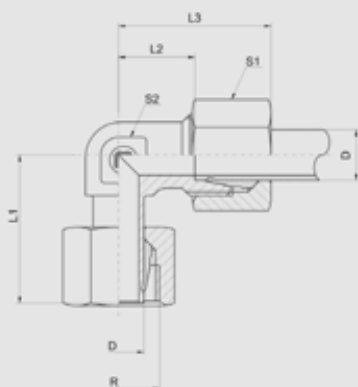
BAR



**ESCUADRA ORIEN-
TABLE; DIN 3952**

*STANDPIPE ELBOW;
DIN 3952*

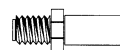
COD.	SERIE	PN BAR	D	L1	L2	L3	S1	S2	REF.
0110230000	L	315	6	26	12	27	14	12	M.REL E 6 L
0110230050	L	315	8	27,5	14	29	17	12	M.REL E 8 L
0110230100	L	315	10	29	15	30	19	14	M.REL E 10 L
0110230150	L	315	12	29,5	17	32	22	17	M.REL E 12 L
0110230200	L	315	15	32,5	21	36	27	19	M.REL E 15 L
0110230250	L	315	18	35,5	23,5	40	32	24	M.REL E 18 L
0110230300	L	160	22	38,5	27,5	44	36	27	M.REL E 22 L
0110230350	L	160	28	41,5	31,5	47	41	36	M.REL E 28 L
0110230400	L	160	35	51	34,5	56	50	41	M.REL E 35 L
0110230450	L	160	42	56	40	63	60	50	M.REL E 42 L
0110230500	S	630	6	27	16	31	17	12	M.REL E 6 S
0110230550	S	630	8	27,5	17	32	19	14	M.REL E 8 S
0110230600	S	630	10	30	17,5	34	22	17	M.REL E 10 S
0110230650	S	630	12	31	21,5	38	24	17	M.REL E 12 S
0110230700	S	630	14	35	22	40	27	19	M.REL E 14 S
0110230750	S	400	16	36,5	24,5	43	30	24	M.REL E 16 S
0110230800	S	400	20	44,5	26,5	48	36	27	M.REL E 20 S
0110230850	S	400	25	50	30	54	46	36	M.REL E 25 S
0110230900	S	400	30	55	35,5	62	50	41	M.REL E 30 S
0110230950	S	315	38	63	41	72	60	50	M.REL E 38 S



M.REL E (LT/ST)

61

BAR

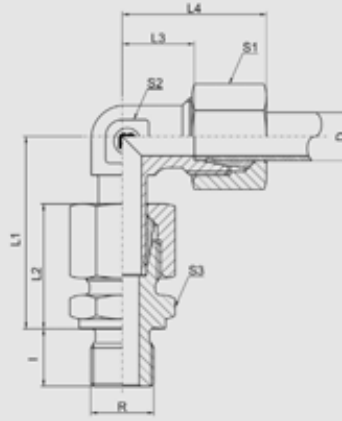


COD.	SERIE	PN BAR	D	R	L1	L2	L3	S1	S2	REF.
0110240000	L	315	6	M12x1,5	26	12	27	14	12	M.REL E 6 LT
0110240050	L	315	8	M14x1,5	27,5	14	29	17	12	M.REL E 8 LT
0110240100	L	315	10	M16x1,5	29	15	30	19	14	M.REL E 10 LT
0110240150	L	315	12	M18x1,5	29,5	17	32	22	17	M.REL E 12 LT
0110240200	L	315	15	M22x1,5	32,5	21	36	27	19	M.REL E 15 LT
0110240250	L	315	18	M26x1,5	35,5	23,5	40	32	24	M.REL E 18 LT
0110240300	L	160	22	M30x2	38,5	27,5	44	36	27	M.REL E 22 LT
0110240350	L	160	28	M36x2	41,5	31,5	47	41	36	M.REL E 28 LT
0110240400	L	160	35	M45x2	51	34,5	56	50	41	M.REL E 35 LT
0110240450	L	160	42	M52x2	56	40	63	60	50	M.REL E 42 LT
0110240500	S	630	6	M14x1,5	27	16	31	17	12	M.REL E 6 ST
0110240550	S	630	8	M16x1,5	27,5	17	32	19	14	M.REL E 8 ST
0110240600	S	630	10	M18x1,5	30	17,5	34	22	17	M.REL E 10 ST
0110240650	S	630	12	M20x1,5	31	21,5	38	24	17	M.REL E 12 ST
0110240700	S	630	14	M22x1,5	35	22	40	27	19	M.REL E 14 ST
0110240750	S	400	16	M24x1,5	36,5	24,5	43	30	24	M.REL E 16 ST
0110240800	S	400	20	M30x2	44,5	26,5	48	36	27	M.REL E 20 ST
0110240850	S	400	25	M36x2	50	30	54	46	36	M.REL E 25 ST
0110240900	S	400	30	M42x2	55	35,5	62	50	41	M.REL E 30 ST
0110240950	S	315	38	M52x2	63	41	72	60	50	M.REL E 38 ST

ESCUADRA ORIENTABLE; DIN 3952

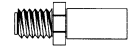
STANDPIPE ELBOW; DIN 3952

RACORES FITTINGS



62

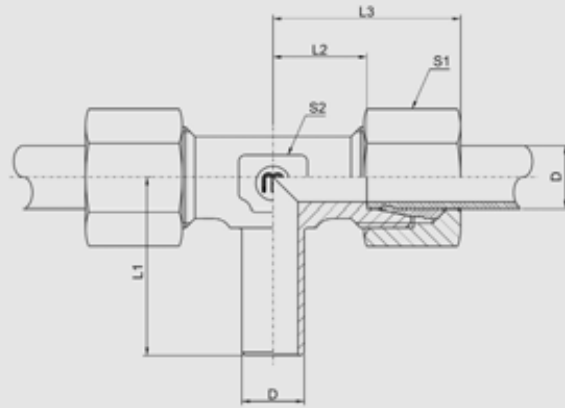
M.REL E (LR/SR)



ESCUADRA ORIENTABLE MACHO; DIN 3952; DIN 3901

STANDPIPE ELBOW MALE; DIN 3952; DIN 3901

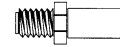
COD.	SERIE	PN BAR	D	R	I	L1	L2	L3	L4	S1	S2	S3	REF.
0110250000	L	315	6	1/8" BSP	8	34,5	23	12	27	14	12	14	M.REL E 6 LR
0110250050	L	315	8	1/4" BSP	12	37,5	25	14	29	17	12	19	M.REL E 8 LR
0110250100	L	315	10	1/4" BSP	12	40	26	15	30	19	14	19	M.REL E 10 LR
0110250150	L	315	12	3/8" BSP	12	42	27	17	32	22	17	22	M.REL E 12 LR
0110250200	L	315	15	1/2" BSP	14	46,5	29	21	36	27	19	27	M.REL E 15 LR
0110250250	L	315	18	1/2" BSP	14	50	31	23,5	40	32	24	27	M.REL E 18 LR
0110250300	L	160	22	3/4" BSP	16	55	33	27,5	44	36	27	32	M.REL E 22 LR
0110250350	L	160	28	1" BSP	18	59	34	30,5	47	41	36	41	M.REL E 28 LR
0110250400	L	160	35	1"1/4 BSP	20	68,5	39	34,5	56	50	41	50	M.REL E 35 LR
0110250450	L	160	42	1"1/2 BSP	22	75	42	40	63	60	50	55	M.REL E 42 LR
0110250500	S	630	6	1/4" BSP	12	40	28	16	31	17	12	19	M.REL E 6 SR
0110250550	S	630	8	1/4" BSP	12	42,5	30	17	32	19	14	19	M.REL E 8 SR
0110250600	S	630	10	3/8" BSP	12	45	31	17,5	34	22	17	22	M.REL E 10 SR
0110250650	S	630	12	3/8" BSP	12	48	33	21,5	38	24	17	22	M.REL E 12 SR
0110250700	S	630	14	1/2" BSP	14	54	37	22	40	27	19	27	M.REL E 14 SR
0110250750	S	400	16	1/2" BSP	14	55	37	24,5	43	30	24	27	M.REL E 16 SR
0110250800	S	400	20	3/4" BSP	16	65	42	26,5	48	36	27	32	M.REL E 20 SR
0110250850	S	400	25	1" BSP	18	73	47	30	54	46	36	41	M.REL E 25 SR
0110250900	S	400	30	1"1/4 BSP	20	78,5	50	35,5	62	50	41	50	M.REL E 30 SR
0110250950	S	315	38	1"1/2 BSP	22	89	57	41	72	60	50	55	M.REL E 38 SR



M.RET E

63

BAR

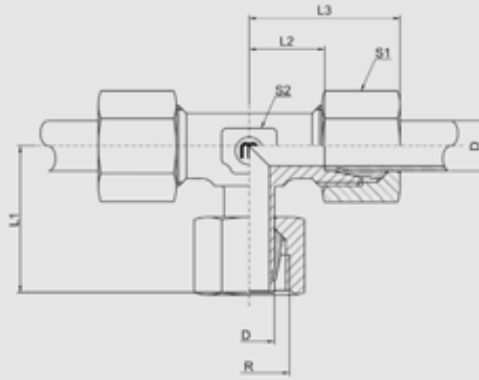


COD.	SERIE	PN BAR	D	L1	L2	L3	S1	S2	REF.
0110330000	L	315	6	26	12	27	14	12	M.RET E 6 L
0110330050	L	315	8	27,5	14	29	17	12	M.RET E 8 L
0110330100	L	315	10	29	15	30	19	14	M.RET E 10 L
0110330150	L	315	12	29,5	17	32	22	17	M.RET E 12 L
0110330200	L	315	15	32,5	21	36	27	19	M.RET E 15 L
0110330250	L	315	18	35,5	23,5	40	32	24	M.RET E 18 L
0110330300	L	160	22	38,5	27,5	44	36	27	M.RET E 22 L
0110330350	L	160	28	41,5	30,5	47	41	36	M.RET E 28 L
0110330400	L	160	35	51	34,5	56	50	41	M.RET E 35 L
0110330450	L	160	42	56	40	63	60	50	M.RET E 42 L
0110330500	S	630	6	27	16	31	17	12	M.RET E 6 S
0110330550	S	630	8	27,5	17	32	19	14	M.RET E 8 S
0110330600	S	630	10	30	17,5	34	22	17	M.RET E 10 S
0110330650	S	630	12	31	21,5	38	24	17	M.RET E 12 S
0110330700	S	630	14	35	22	40	27	19	M.RET E 14 S
0110330750	S	400	16	36,5	24,5	43	30	24	M.RET E 16 S
0110330800	S	400	20	44,5	26,5	48	36	27	M.RET E 20 S
0110330850	S	400	25	50	30	54	46	36	M.RET E 25 S
0110330900	S	400	30	55	35,5	62	50	41	M.RET E 30 S
0110330950	S	315	38	63	41	72	60	50	M.RET E 38 S

“T” ORIENTABLE;
DIN 3953

STANDPIPE
BRANCH TEE; DIN
3953

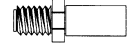
RACORES FITTINGS



64

M.RET E (LT/ST)

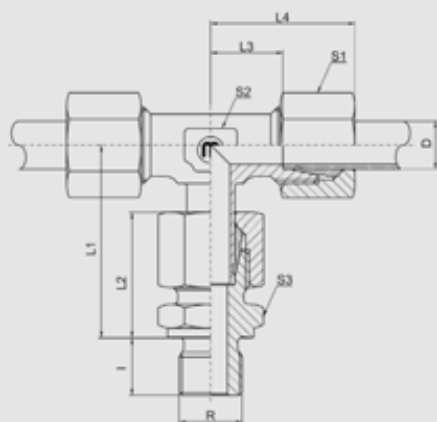
BAR



**“T” ORIENTABLE;
DIN 3953**

**STANDPIPE
BRANCH TEE; DIN
3953**

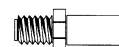
COD.	SERIE	PN BAR	D	R	L1	L2	L3	S1	S2	REF.
0110340000	L	315	6	M12x1,5	26	12	27	14	12	M.RET E 6 LT
0110340050	L	315	8	M14X1,5	27,5	14	29	17	12	M.RET E 8 LT
0110340100	L	315	10	M16x1,5	29	15	30	19	14	M.RET E 10 LT
0110340150	L	315	12	M18x1,5	29,5	17	32	22	17	M.RET E 12 LT
0110340200	L	315	15	M22x1,5	32,5	21	36	27	19	M.RET E 15 LT
0110340250	L	315	18	M26x1,5	35,5	23,5	40	32	24	M.RET E 18 LT
0110340300	L	160	22	M30x2	38,5	27,5	44	36	27	M.RET E 22 LT
0110340350	L	160	28	M36x2	41,5	30,5	47	41	36	M.RET E 28 LT
0110340400	L	160	35	M45x2	51	34,5	56	50	41	M.RET E 35 LT
0110340450	L	160	42	M52x2	56	40	63	60	50	M.RET E 42 LT
0110340500	S	630	6	M14x1,5	27	16	31	17	12	M.RET E 6 ST
0110340550	S	630	8	M16x1,5	27,5	17	32	19	14	M.RET E 8 ST
0110340600	S	630	10	M18x1,5	30	17,5	34	22	17	M.RET E 10 ST
0110340650	S	630	12	M20x1,5	31	21,5	38	24	17	M.RET E 12 ST
0110340700	S	630	14	M22x1,5	35	22	40	27	19	M.RET E 14 ST
0110340750	S	400	16	M24x1,5	36,5	24,5	43	30	24	M.RET E 16 ST
0110340800	S	400	20	M30x2	44,5	26,5	48	36	27	M.RET E 20 ST
0110340850	S	400	25	M36x2	50	30	54	46	36	M.RET E 25 ST
0110340900	S	400	30	M42x2	55	35,5	62	50	41	M.RET E 30 ST
0110340950	S	315	38	M52x2	63	41	72	60	50	M.RET E 38 ST



M.RET E (LR/SR)

65

BAR

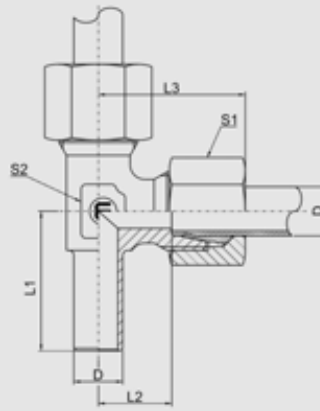


COD.	SERIE	PN BAR	D	R	I	L1	L2	L3	L4	S1	S2	S3	REF.
0110350000	L	315	6	1/8" BSP	8	34,5	23	12	27	14	12	14	M.RET E 6 LR
0110350050	L	315	8	1/4" BSP	12	37,5	25	14	29	17	12	19	M.RET E 8 LR
0110350100	L	315	10	1/4" BSP	12	40	26	15	30	19	14	19	M.RET E 10 LR
0110350150	L	315	12	3/8" BSP	12	42	27	17	32	22	17	22	M.RET E 12 LR
0110350200	L	315	15	1/2" BSP	14	46,5	29	21	36	27	19	27	M.RET E 15 LR
0110350250	L	315	18	1/2" BSP	14	50	31	23,5	40	32	24	27	M.RET E 18 LR
0110350300	L	160	22	3/4" BSP	16	55	33	27,5	44	36	27	32	M.RET E 22 LR
0110350350	L	160	28	1" BSP	18	59	34	30,5	47	41	36	41	M.RET E 28 LR
0110350400	L	160	35	1"1/4 BSP	20	68,5	39	34,5	56	50	41	50	M.RET E 35 LR
0110350450	L	160	42	1"1/2 BSP	22	75	42	40	63	60	50	55	M.RET E 42 LR
0110350500	S	630	6	1/4" BSP	12	40	28	16	31	17	12	19	M.RET E 6 SR
0110350550	S	630	8	1/4" BSP	12	42,5	30	17	32	19	14	19	M.RET E 8 SR
0110350600	S	630	10	3/8" BSP	12	45	31	17,5	34	22	17	22	M.RET E 10 SR
0110350650	S	630	12	3/8" BSP	12	48	33	21,5	38	24	17	22	M.RET E 12 SR
0110350700	S	630	14	1/2" BSP	14	54	37	22	40	27	19	27	M.RET E 14 SR
0110350750	S	400	16	1/2" BSP	14	55	37	24,5	43	30	24	27	M.RET E 16 SR
0110350800	S	400	20	3/4" BSP	16	65	42	26,5	48	36	27	32	M.RET E 20 SR
0110350850	S	400	25	1" BSP	18	73	47	30	54	46	36	41	M.RET E 25 SR
0110350900	S	400	30	1"1/4 BSP	20	78,5	50	35,5	62	50	41	50	M.RET E 30 SR
0110350950	S	315	38	1"1/2 BSP	22	89	57	41	72	60	50	55	M.RET E 38 SR

**"T" ORIENTABLE
MACHO; DIN 3953;
DIN 3901**

**STANDPIPE
BRANCH TEE MALE;
DIN 3953; DIN 3901**

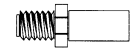
RACORES FITTINGS



66

M.RETI E

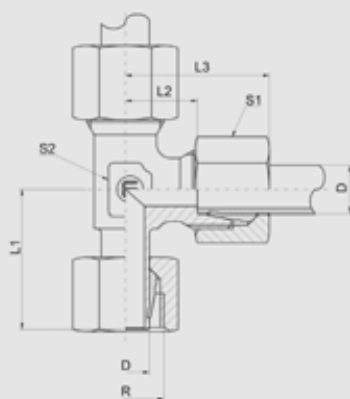
BAR



“L” ORIENTABLE;
DIN 3954

STANDPIPE RUN
TEE; DIN 3954

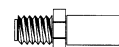
COD.	SERIE	PN BAR	D	L1	L2	L3	S1	S2	REF.
0110430000	L	315	6	26	12	27	14	12	M.RETI E 6 L
0110430050	L	315	8	27,5	14	29	17	12	M.RETI E 8 L
0110430100	L	315	10	29	15	30	19	14	M.RETI E 10 L
0110430150	L	315	12	29,5	17	32	22	17	M.RETI E 12 L
0110430200	L	315	15	32,5	21	36	27	19	M.RETI E 15 L
0110430250	L	315	18	35,5	23,5	40	32	24	M.RETI E 18 L
0110430300	L	160	22	38,5	27,5	44	36	27	M.RETI E 22 L
0110430350	L	160	28	41,5	30,5	47	41	36	M.RETI E 28 L
0110430400	L	160	35	51	34,5	56	50	41	M.RETI E 35 L
0110430450	L	160	42	56	40	63	60	50	M.RETI E 42 L
0110430500	S	630	6	27	16	31	17	12	M.RETI E 6 S
0110430550	S	630	8	27,5	17	32	19	14	M.RETI E 8 S
0110430600	S	630	10	30	17,5	34	22	17	M.RETI E 10 S
0110430650	S	630	12	31	21,5	38	24	17	M.RETI E 12 S
0110430700	S	630	14	35	22	40	27	19	M.RETI E 14 S
0110430750	S	400	16	36,5	24,5	43	30	24	M.RETI E 16 S
0110430800	S	400	20	44,5	26,5	48	36	27	M.RETI E 20 S
0110430850	S	400	25	50	30	54	46	36	M.RETI E 25 S
0110430900	S	400	30	55	35,5	62	50	41	M.RETI E 30 S
0110430950	S	315	38	63	41	72	60	50	M.RETI E 38 S



M.RETI E (LT/ST)

67

BAR

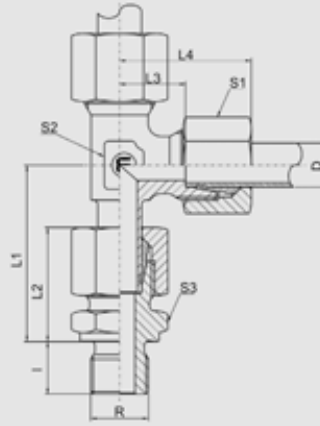


COD.	SERIE	PN BAR	D	R	L1	L2	L3	S1	S2	REF.
0110440000	L	315	6	M12x1,5	26	12	27	14	12	M.RETI E 6 LT
0110440050	L	315	8	M14x1,5	27,5	14	29	17	12	M.RETI E 8 LT
0110440100	L	315	10	M16x1,5	29	15	30	19	14	M.RETI E 10 LT
0110440150	L	315	12	M18x1,5	29,5	17	32	22	17	M.RETI E 12 LT
0110440200	L	315	15	M22x1,5	32,5	21	36	27	19	M.RETI E 15 LT
0110440250	L	315	18	M26x1,5	35,5	23,5	40	32	24	M.RETI E 18 LT
0110440300	L	160	22	M30x2	38,5	27,5	44	36	27	M.RETI E 22 LT
0110440350	L	160	28	M36x2	41,5	30,5	47	41	36	M.RETI E 28 LT
0110440400	L	160	35	M45x2	51	34,5	56	50	41	M.RETI E 35 LT
0110440450	L	160	42	M52x2	56	40	63	60	50	M.RETI E 42 LT
0110440500	S	630	6	M14x1,5	27	16	31	17	12	M.RETI E 6 ST
0110440550	S	630	8	M16x1,5	27,5	17	32	19	14	M.RETI E 8 ST
0110440600	S	630	10	M18x1,5	30	17,5	34	22	17	M.RETI E 10 ST
0110440650	S	630	12	M20x1,5	31	21,5	38	24	17	M.RETI E 12 ST
0110440700	S	630	14	M22x1,5	35	22	40	27	19	M.RETI E 14 ST
0110440750	S	400	16	M24x1,5	36,5	24,5	43	30	24	M.RETI E 16 ST
0110440800	S	400	20	M30x2	44,5	26,5	48	36	27	M.RETI E 20 ST
0110440850	S	400	25	M36x2	50	30	54	46	36	M.RETI E 25 ST
0110440900	S	400	30	M42x2	55	35,5	62	50	41	M.RETI E 30 ST
0110440950	S	315	38	M52x2	63	41	72	60	50	M.RETI E 38 ST

“L” ORIENTABLE;
DIN 3954

STANDPIPE RUN
TEE; DIN 3954

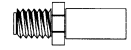
RACORES FITTINGS



68

M.RETI E (LR/SR)

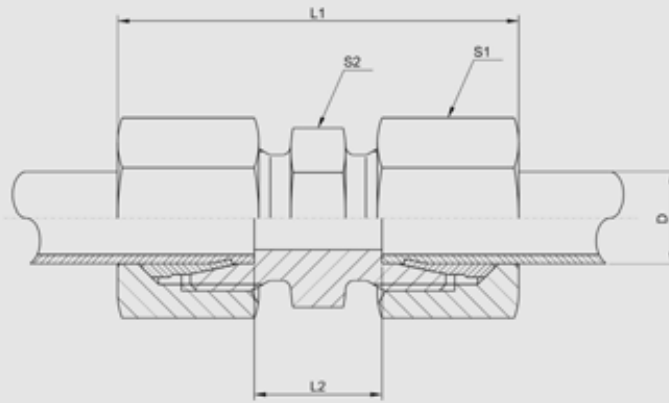
BAR



“L” ORIENTABLE
MACHO; DIN 3954;
DIN 3901

STANDPIPE RUN
TEE MALE; DIN
3954; DIN 3901

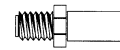
COD.	SERIE	PN BAR	D	R	I	L1	L2	L3	L4	S1	S2	S3	REF.
0110450000	L	315	6	1/8" BSP	8	34,5	23	12	27	14	12	14	M.RETI E 6 LR
0110450050	L	315	8	1/4" BSP	12	37,5	25	14	29	17	12	19	M.RETI E 8 LR
0110450100	L	315	10	1/4" BSP	12	40	26	15	30	19	14	19	M.RETI E 10 LR
0110450150	L	315	12	3/8" BSP	12	42	27	17	32	22	17	22	M.RETI E 12 LR
0110450200	L	315	15	1/2" BSP	14	46,5	29	21	36	27	19	27	M.RETI E 15 LR
0110450250	L	315	18	1/2" BSP	14	50	31	23,5	40	32	24	27	M.RETI E 18 LR
0110450300	L	160	22	3/4" BSP	16	55	33	27,5	44	36	27	32	M.RETI E 22 LR
0110450350	L	160	28	1" BSP	18	59	34	30,5	47	41	36	41	M.RETI E 28 LR
0110450400	L	160	35	1"1/4 BSP	20	68,5	39	34,5	56	50	41	50	M.RETI E 35 LR
0110450450	L	160	42	1"1/2 BSP	22	75	42	40	63	60	50	55	M.RETI E 42 LR
0110450500	S	630	6	1/4" BSP	12	40	28	16	31	17	12	19	M.RETI E 6 SR
0110450550	S	630	8	1/4" BSP	12	42,5	30	17	32	19	14	19	M.RETI E 8 SR
0110450600	S	630	10	3/8" BSP	12	45	31	17,5	34	22	17	22	M.RETI E 10 SR
0110450650	S	630	12	3/8" BSP	12	48	33	21,5	38	24	17	22	M.RETI E 12 SR
0110450700	S	630	14	1/2" BSP	14	54	37	22	40	27	19	27	M.RETI E 14 SR
0110450750	S	400	16	1/2" BSP	14	55	37	24,5	43	30	24	27	M.RETI E 16 SR
0110450800	S	400	20	3/4" BSP	16	65	42	26,5	48	36	27	32	M.RETI E 20 SR
0110450850	S	400	25	1" BSP	18	73	47	30	54	46	36	41	M.RETI E 25 SR
0110450900	S	400	30	1"1/4 BSP	20	78,5	50	35,5	62	50	41	50	M.RETI E 30 SR
0110450950	S	315	38	1"1/2 BSP	22	89	57	41	72	60	50	55	M.RETI E 38 SR



M.RID

69

BAR

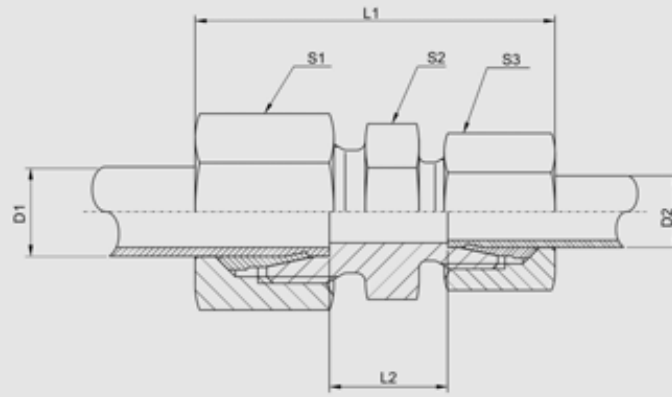


COD.	SERIE	PN BAR	D	L1	L2	S1	S2	REF.
0110470000	LL	100	4	31	12	10	9	M.RID 4 LL
0110470100	LL	100	6	32	9	12	11	M.RID 6 LL
0110470150	LL	100	8	35	12	14	12	M.RID 8 LL
0110480000	L	315	6	39	10	14	12	M.RID 6 L
0110480050	L	315	8	40	11	17	14	M.RID 8 L
0110480100	L	315	10	42	12	19	17	M.RID 10 L
0110480150	L	315	12	43	14	22	19	M.RID 12 L
0110480200	L	315	15	46	16	27	24	M.RID 15 L
0110480250	L	315	18	48	16	32	27	M.RID 18 L
0110480300	L	160	22	52	20	36	32	M.RID 22 L
0110480350	L	160	28	54	21	41	41	M.RID 28 L
0110480400	L	160	35	63	20	50	46	M.RID 35 L
0110480450	L	160	42	66	21	60	55	M.RID 42 L
0110480500	S	630	6	45	16	17	14	M.RID 6 S
0110480550	S	630	8	47	18	19	17	M.RID 8 S
0110480600	S	630	10	49	17	22	19	M.RID 10 S
0110480650	S	630	12	51	19	24	22	M.RID 12 S
0110480700	S	630	14	57	22	27	24	M.RID 14 S
0110480750	S	400	16	57	21	30	27	M.RID 16 S
0110480800	S	400	20	66	23	36	32	M.RID 20 S
0110480850	S	400	25	74	26	46	41	M.RID 25 S
0110480900	S	400	30	80	27	50	46	M.RID 30 S
0110480950	S	315	38	90	29	60	55	M.RID 38 S

**UNIÓN DOBLE;
DIN 3902**

*UNION;
DIN 3902*

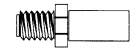
RACORES FITTINGS



70

M.RIDR

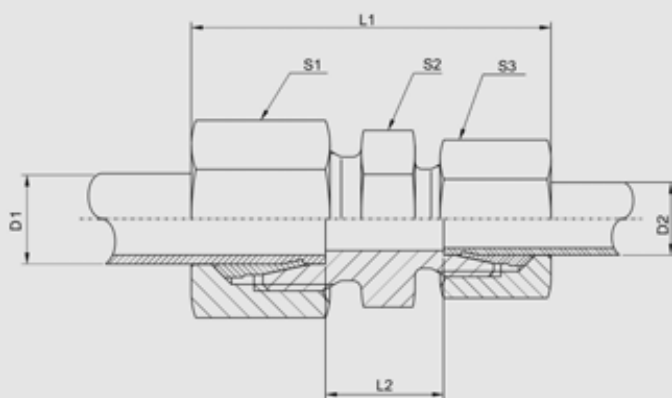
BAR



UNIÓN DOBLE
REDUCCIÓN

STRAIGHT
REDUCER

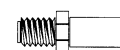
COD.	SERIE	PN BAR	D1	D2	L1	L2	S1	S2	S3	REF.
0110910020	LL	100	6	4	31,5	10,5	12	11	10	M.RIDR 6-4 LL
0110910030	LL	100	8	4	34,5	12,5	14	12	10	M.RIDR 8-4 LL
0110910050	L	315	8	6	40,5	11	17	14	14	M.RIDR 8-6 L
0110910100	L	315	10	6	41,5	12	19	17	14	M.RIDR 10-6 L
0110910110	L	315	10	8	42	12	19	17	17	M.RIDR 10-8 L
0110910150	L	315	12	6	42	13	22	19	14	M.RIDR 12-6 L
0110910160	L	315	12	8	42,5	13	22	19	17	M.RIDR 12-8 L
0110910170	L	315	12	10	43,5	14	22	19	19	M.RIDR 12-10 L
0110910210	L	315	15	8	44	14	27	24	17	M.RIDR 15-8 L
0110910220	L	315	15	10	45	15	27	24	19	M.RIDR 15-10 L
0110910230	L	315	15	12	44,5	15	27	24	22	M.RIDR 15-12 L
0110910270	L	315	18	10	47	15,5	32	27	19	M.RIDR 18-10 L
0110910280	L	315	18	12	46,5	15,5	32	27	22	M.RIDR 18-12 L
0110910290	L	315	18	15	48	16,5	32	27	27	M.RIDR 18-15 L
0110910310	L	160	22	12	48,5	17,5	36	32	22	M.RIDR 22-12 L
0110910320	L	160	22	15	50	18,5	36	32	27	M.RIDR 22-15 L
0110910330	L	160	22	18	51	18	36	32	32	M.RIDR 22-18 L
0110910370	L	160	28	18	52	19	41	41	32	M.RIDR 28-18 L
0110910380	L	160	28	22	54	21	41	41	36	M.RIDR 28-22 L
0110910420	L	160	35	22	59	21	50	46	36	M.RIDR 35-22 L
0110910430	L	160	35	28	59	21	50	46	41	M.RIDR 35-28 L
0110910480	L	160	42	35	66	21,5	60	55	50	M.RIDR 42-35 L



M.RIDR

71

BAR

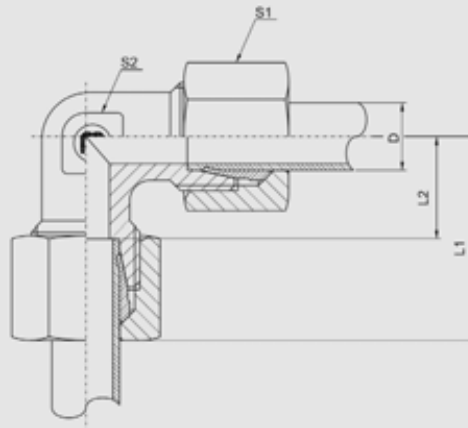


COD.	SERIE	PN BAR	D1	D2	L1	L2	S1	S2	S3	REF.
0110910550	S	630	8	6	48	18	19	17	17	M.RIDR 8-6 S
0110910600	S	630	10	6	48,5	17,5	22	19	17	M.RIDR 10-6 S
0110910610	S	630	10	8	48,5	17,5	22	19	19	M.RIDR 10-8 S
0110910650	S	630	12	6	50,5	19,5	24	22	17	M.RIDR 12-6 S
0110910660	S	630	12	8	50,5	19,5	24	22	19	M.RIDR 12-8 S
0110910670	S	630	12	10	51	19	24	22	22	M.RIDR 12-10 S
0110910720	S	630	14	10	54,5	20,5	27	24	22	M.RIDR 14-10 S
0110910730	S	630	14	12	54,5	20,5	27	24	24	M.RIDR 14-12 S
0110910780	S	400	16	12	54,5	20	30	27	24	M.RIDR 16-12 S
0110910790	S	400	16	14	58	21,5	30	27	27	M.RIDR 16-14S
0110910810	S	400	20	10	56,5	22	36	32	22	M.RIDR 20-10 S
0110910820	S	400	20	12	56,5	22	36	32	24	M.RIDR 20-12 S
0110910840	S	400	20	16	60	23	36	32	30	M.RIDR 20-16 S
0110910880	S	400	25	16	68	26,5	46	41	30	M.RIDR 25-16 S
0110910890	S	400	25	20	68	25,5	46	41	36	M.RIDR 25-20 S
0110910930	S	400	30	20	71	26	50	46	36	M.RIDR 30-20 S
0110910940	S	400	30	25	77	26,5	50	46	46	M.RIDR 30-25 S
0110910980	S	315	38	30	87	29,5	60	55	50	M.RIDR 38-30 S

**UNIÓN DOBLE
REDUCCIÓN**

*STRAIGHT
REDUCER*

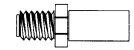
RACORES FITTINGS



72

M.RIL

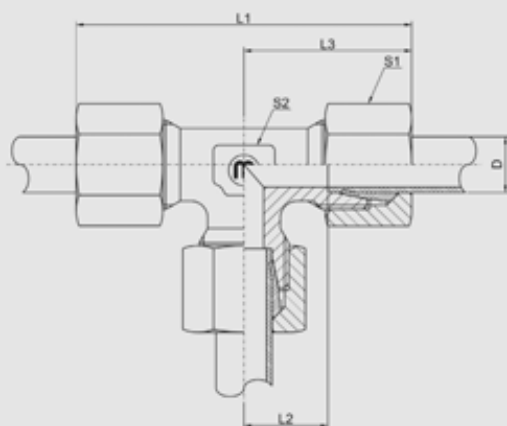
BAR



ESCUADRA UNIÓN
IGUAL; DIN 3905

UNION ELBOW; DIN
3905

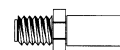
COD.	SERIE	PN BAR	D	L1	L2	S1	S2	REF.
0110490000	LL	100	4	21	11	10	9	M.RIL 4 LL
0110490050	LL	100	6	21	9,5	12	9	M.RIL 6 LL
0110490100	LL	100	8	23	11,5	14	12	M.RIL 8 LL
0110500000	L	315	6	27	12	14	12	M.RIL 6 L
0110500050	L	315	8	29	14	17	12	M.RIL 8 L
0110500100	L	315	10	30	15	19	14	M.RIL 10 L
0110500150	L	315	12	32	17	22	17	M.RIL 12 L
0110500200	L	315	15	36	21	27	19	M.RIL 15 L
0110500250	L	315	18	40	23,5	32	24	M.RIL 18 L
0110500300	L	160	22	44	26,5	36	27	M.RIL 22 L
0110500350	L	160	28	47	30,5	41	36	M.RIL 28 L
0110500400	L	160	35	56	34,5	50	41	M.RIL 35 L
0110500450	L	160	42	63	40	60	50	M.RIL 42 L
0110500500	S	630	6	31	16	17	12	M.RIL 6 S
0110500550	S	630	8	32	17	19	14	M.RIL 8 S
0110500600	S	630	10	34	17,5	22	17	M.RIL 10 S
0110500650	S	630	12	38	21,5	24	17	M.RIL 12 S
0110500700	S	630	14	40	22	27	19	M.RIL 14 S
0110500750	S	400	16	43	24,5	30	24	M.RIL 16 S
0110500800	S	400	20	48	26,5	36	27	M.RIL 20 S
0110500850	S	400	25	54	30	46	36	M.RIL 25 S
0110500900	S	400	30	62	35,5	50	41	M.RIL 30 S
0110500950	S	315	38	72	41	60	50	M.RIL 38 S



M.RIT

73

BAR

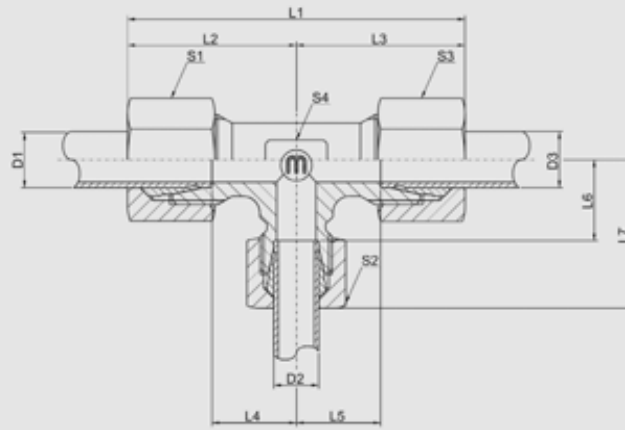


COD.	SERIE	PN BAR	D	L1	L2	L3	S1	S2	REF.
0110510000	LL	100	4	42	11	21	10	9	M.RIT 4 LL
0110510050	LL	100	6	42	9,5	21	12	9	M.RIT 6 LL
0110510100	LL	100	8	46	11,5	23	14	12	M.RIT 8 LL
0110520000	L	315	6	54	12	27	14	12	M.RIT 6 L
0110520050	L	315	8	58	14	29	17	12	M.RIT 8 L
0110520100	L	315	10	60	15	30	19	14	M.RIT 10 L
0110520150	L	315	12	64	17	32	22	17	M.RIT 12 L
0110520200	L	315	15	72	21	36	27	19	M.RIT 15 L
0110520250	L	315	18	80	23,5	40	32	24	M.RIT 18 L
0110520300	L	160	22	88	26,5	44	36	27	M.RIT 22 L
0110520350	L	160	28	94	30,5	47	41	36	M.RIT 28 L
0110520400	L	160	35	112	34,5	56	50	41	M.RIT 35 L
0110520450	L	160	42	126	40	63	60	50	M.RIT 42 L
0110520500	S	630	6	62	16	31	17	12	M.RIT 6 S
0110520550	S	630	8	64	17	32	19	14	M.RIT 8 S
0110520600	S	630	10	68	17,5	34	22	17	M.RIT 10 S
0110520650	S	630	12	76	21,5	38	24	17	M.RIT 12 S
0110520700	S	630	14	80	22	40	27	19	M.RIT 14 S
0110520750	S	400	16	86	24,5	43	30	24	M.RIT 16 S
0110520800	S	400	20	96	26	48	36	27	M.RIT 20 S
0110520850	S	400	25	108	30	54	46	36	M.RIT 25 S
0110520900	S	400	30	124	35,5	62	50	41	M.RIT 30 S
0110520950	S	315	38	144	41	72	60	50	M.RIT 38 S

“T” DE UNIÓN
IGUAL; DIN 3908

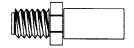
UNION TEE; DIN
3908

RACORES FITTINGS



74

M.RITR

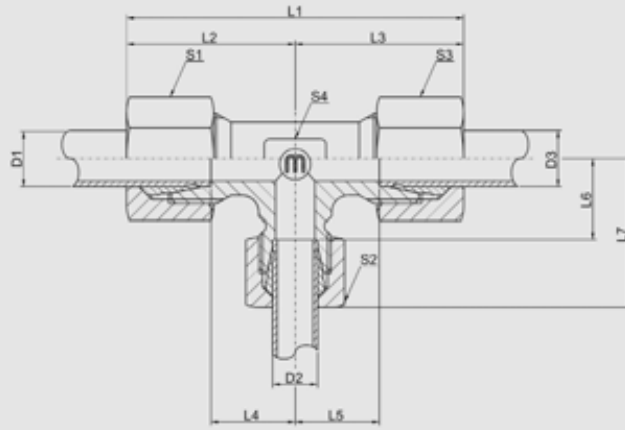


“T” DE UNIÓN EN
REDUCCIÓN

TEE
REDUCER

COD.	SERIE	PN BAR	D1	D2	D3	L1	L2	L3	L4	L5	L6	L7	S1	S2	S3	S4	REF.
0110920010	LL	100	4	8	4	45	22,5	22,5	13	13	11,5	24	10	14	10	12	M.RITR 4-8-4 LL
0110920020	L	315	6	8	6	57	28,5	28,5	14	14	14	29	14	17	14	14	M.RITR 6-8-6 L
0110920030	L	315	8	6	8	58	29	29	14	14	14	28,5	17	14	17	14	M.RITR 8-6-8 L
0110920040	L	315	6	10	6	59	29,5	29,5	15	15	15	30	14	19	14	17	M.RITR 6-10-6 L
0110920050	L	315	8	10	8	60	30	30	15	15	15	30	17	19	17	17	M.RITR 8-10-8 L
0110920060	L	315	10	6	10	60	30	30	15	15	15	29,5	19	14	19	17	M.RITR 10-6-10 L
0110920070	L	315	10	8	10	60	30	30	15	15	15	30	19	17	19	17	M.RITR 10-8-10 L
0110920080	L	315	10	10	6	59,5	30	29,5	15	15	15	30	19	19	14	17	M.RITR 10-10-6 L
0110920090	L	315	8	12	8	64	32	32	17	17	17	31,5	17	22	17	19	M.RITR 8-12-8 L
0110920100	L	315	12	6	12	63	31,5	31,5	17	17	17	31,5	22	14	22	19	M.RITR 12-6-12 L
0110920110	L	315	12	8	8	63,5	31,5	32	17	17	17	32	22	17	17	19	M.RITR 12-8-8 L
0110920120	L	315	12	8	12	63	31,5	31,5	17	17	17	32	22	17	22	19	M.RITR 12-8-12 L
0110920130	L	315	12	10	10	63,5	31,5	32	17	17	17	32	22	19	19	19	M.RITR 12-10-10 L
0110920140	L	315	12	10	12	63	31,5	31,5	17	17	17	32	22	19	22	19	M.RITR 12-10-12 L
0110920150	L	315	12	12	10	63,5	31,5	32	17	17	17	31,5	22	22	19	19	M.RITR 12-12-10 L
0110920160	L	315	10	15	10	72	36	36	21	21	21	36	19	27	19	19	M.RITR 10-15-10 L
0110920170	L	315	12	15	12	71	35,5	35,5	21	21	21	36	22	27	22	19	M.RITR 12-15-12 L
0110920180	L	315	15	6	15	72	36	36	21	21	21	36	27	14	27	19	M.RITR 15-6-15 L
0110920190	L	315	15	10	15	72	36	36	21	21	21	36	27	19	27	19	M.RITR 15-10-15 L
0110920200	L	315	15	12	12	71,5	36	35,5	21	21	21	35,5	27	22	22	19	M.RITR 15-12-12 L
0110920210	L	315	15	12	15	72	36	36	21	21	21	35,5	27	22	27	19	M.RITR 15-12-15 L
0110920220	L	315	15	15	12	71,5	36	35,5	21	21	21	36	27	27	22	19	M.RITR 15-15-12 L

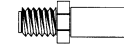
RACORES FITTINGS



M.RITR

75

BAR

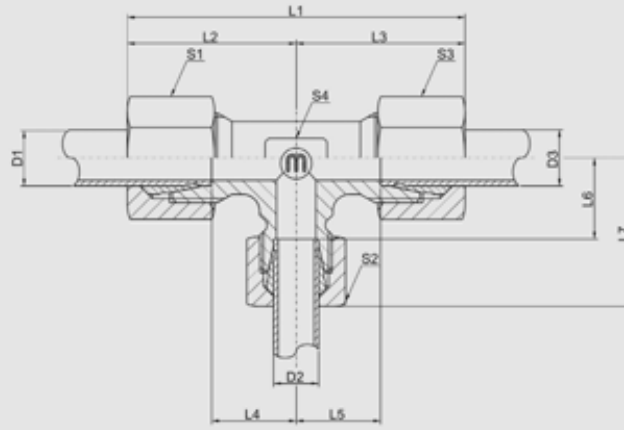


COD.	SERIE	PN BAR	D1	D2	D3	L1	L2	L3	L4	L5	L6	L7	S1	S2	S3	S4	REF.
0110920230	L	315	12	18	12	77	38,5	38,5	24	24	23,5	40	22	32	22	24	M.RITR 12-18-12 L
0110920240	L	315	18	10	10	79	40	39	23,5	24	24	39	32	19	19	24	M.RITR 18-10-10 L
0110920250	L	315	18	10	18	80	40	40	23,5	23,5	24	39	32	19	32	24	M.RITR 18-10-18 L
0110920260	L	315	18	12	18	80	40	40	23,5	23,5	24	38,5	32	22	32	24	M.RITR 18-12-18 L
0110920270	L	315	18	15	18	80	40	40	23,5	23,5	24	39	32	27	32	24	M.RITR 18-15-18 L
0110920280	L	315	18	18	10	79	40	39	23,5	24	23,5	40	32	32	19	24	M.RITR 18-18-10 L
0110920290	L	160	22	10	22	88	44	44	27,5	27,5	28	43	36	19	36	27	M.RITR 22-10-22 L
0110920300	L	160	22	12	22	88	44	44	27,5	27,5	28	42,5	36	22	36	27	M.RITR 22-12-22 L
0110920310	L	160	22	15	15	87	44	43	28	27,5	28	43	36	27	27	27	M.RITR 22-15-15 L
0110920320	L	160	22	15	22	88	44	44	27,5	27,5	28	43	36	27	36	27	M.RITR 22-15-22 L
0110920330	L	160	22	18	18	88	44	44	27,5	27,5	27,5	44	36	32	32	27	M.RITR 22-18-18 L
0110920340	L	160	22	18	22	88	44	44	27,5	27,5	27,5	44	36	32	36	27	M.RITR 22-18-22 L
0110920350	L	160	22	22	18	88	44	44	27,5	27,5	27,5	44	36	36	32	27	M.RITR 22-22-18 L
0110920360	L	160	28	10	28	94	47	47	30,5	30,5	31	46	41	19	41	36	M.RITR 28-10-28 L
0110920370	L	160	28	12	28	94	47	47	30,5	30,5	31	45,5	41	22	41	36	M.RITR 28-12-28 L
0110920380	L	160	28	15	28	94	47	47	30,5	30,5	31	46	41	27	41	36	M.RITR 28-15-28 L
0110920390	L	160	28	18	28	94	47	47	30,5	30,5	30,5	47	41	32	41	36	M.RITR 28-18-28 L
0110920400	L	160	28	22	22	94	47	47	30,5	30,5	30,5	47	41	36	36	36	M.RITR 28-22-22 L
0110920410	L	160	28	22	28	94	47	47	30,5	30,5	30,5	47	41	36	41	36	M.RITR 28-22-28 L

“T” DE UNIÓN EN
REDUCCIÓN

TEE
REDUCER

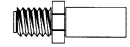
RACORES FITTINGS



76

M.RITR

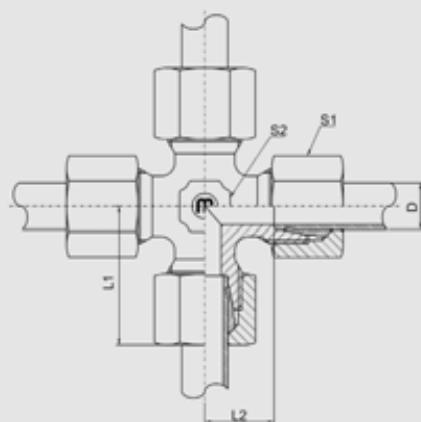
BAR



“T” DE UNIÓN EN
REDUCCIÓN

TEE
REDUCER

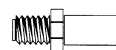
COD.	SERIE	PN BAR	D1	D2	D3	L1	L2	L3	L4	L5	L6	L7	S1	S2	S3	S4	REF.
0110920420	S	630	10	6	10	67	33,5	33,5	17,5	17,6	18	33	22	17	22	19	M.RITR 10-6-10 S
0110920430	S	630	12	8	8	74,5	37,5	37	21,5	22	22	37	24	19	19	22	M.RITR 12-8-8 S
0110920440	S	630	12	8	12	75	37,5	37,5	21,5	21,5	22	37	24	19	24	22	M.RITR 12-8-12 S
0110920450	S	630	12	10	12	75	37,5	37,5	21,5	21,5	21,5	37,5	24	22	24	22	M.RITR 12-10-12 S
0110920460	S	400	12	16	12	83	41,5	41,5	25,5	25,4	24,5	43	24	30	24	24	M.RITR 12-16-12 S
0110920470	S	400	16	6	16	86	43	43	24,5	24,5	26	41	30	17	30	24	M.RITR 16-6-16 S
0110920480	S	400	16	8	16	86	43	43	24,5	24,5	26	41	30	19	30	24	M.RITR 16-8-16 S
0110920490	S	400	16	10	16	86	43	43	24,5	24,5	25,5	41,5	30	22	30	24	M.RITR 16-10-16 S
0110920500	S	400	16	12	16	86	43	43	24,5	24,5	25,5	41,5	30	24	30	24	M.RITR 16-12-16 S
0110920510	S	400	16	20	16	94	47	47	28,5	28,5	26,5	45	30	36	30	27	M.RITR 16-20-16 S
0110920520	S	400	20	10	20	90	45	45	26,5	26,5	29,5	45,5	36	22	36	27	M.RITR 20-10-20 S
0110920530	S	400	20	12	20	90	45	45	26,5	26,5	29,5	45,5	36	24	36	27	M.RITR 20-12-20 S
0110920540	S	400	20	16	20	90	45	45	26,5	26,5	28,5	47	36	30	36	27	M.RITR 20-16-20 S
0110920550	S	400	20	25	20	100	50	50	31,5	31,5	30	54	36	46	36	36	M.RITR 20-25-20 S
0110920560	S	400	25	16	25	108	54	54	30	30	33,5	52	46	30	46	36	M.RITR 25-16-25 S
0110920570	S	400	25	20	25	108	54	54	30	30	31,5	50	46	36	46	36	M.RITR 25-20-25 S
0110920580	S	400	25	30	25	122	61	61	37	37	35,5	62	46	50	46	41	M.RITR 25-30-25 S



M.RIX

77

BAR

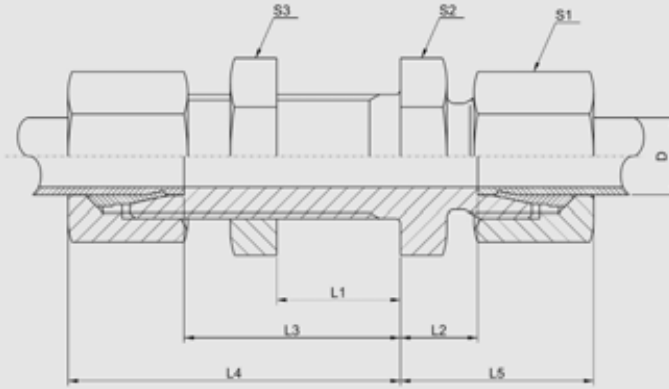


COD.	SERIE	PN BAR	D	L1	L2	S1	S2	REF.
0110530000	LL	100	4	21	11	10	9	M.RIX 4 LL
0110530100	LL	100	6	21	9,5	12	9	M.RIX 6 LL
0110530150	LL	100	8	23	11,5	14	12	M.RIX 8 LL
0110540000	L	315	6	27	12	14	12	M.RIX 6 L
0110540050	L	315	8	29	14	17	12	M.RIX 8 L
0110540100	L	315	10	30	15	19	14	M.RIX 10 L
0110540150	L	315	12	32	17	22	17	M.RIX 12 L
0110540200	L	315	15	36	21	27	19	M.RIX 15 L
0110540250	L	315	18	40	23,5	32	24	M.RIX 18 L
0110540300	L	160	22	44	26,5	36	27	M.RIX 22 L
0110540350	L	160	28	47	30,5	41	36	M.RIX 28 L
0110540400	L	160	35	56	34,5	50	41	M.RIX 35 L
0110540450	L	160	42	63	40	60	50	M.RIX 42 L
0110540500	S	630	6	31	16	17	12	M.RIX 6 S
0110540550	S	630	8	32	17	19	14	M.RIX 8 S
0110540600	S	630	10	34	17,5	22	17	M.RIX 10 S
0110540650	S	630	12	38	21,5	24	17	M.RIX 12 S
0110540700	S	630	14	40	22	27	19	M.RIX 14 S
0110540750	S	400	16	43	24,5	30	24	M.RIX 16 S
0110540800	S	400	20	48	26	36	27	M.RIX 20 S
0110540850	S	400	25	54	30	46	36	M.RIX 25 S
0110540900	S	400	30	62	35,5	50	41	M.RIX 30 S
0110540950	S	315	38	72	41	60	50	M.RIX 38 S

**CRUZ DE UNIÓN
IGUAL; DIN 3951**

*UNION CROSS; DIN
3951*

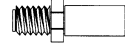
RACORES FITTINGS



78

M.PTR

BAR

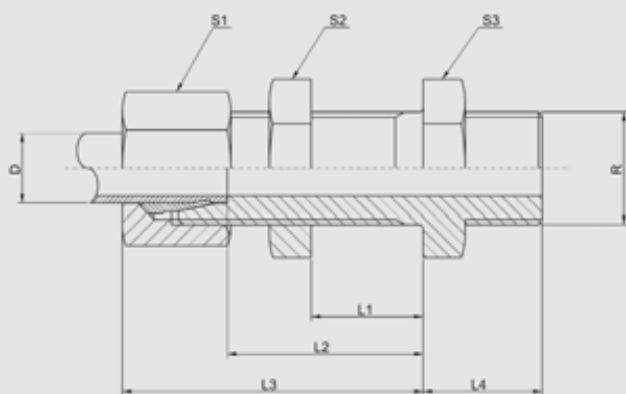


**UNIÓN DOBLE
PASATABIQUE; DIN
3910**

*BULKHEAD UNION;
DIN 3910*

COD.	SERIE	PN BAR	D	M	L1	L2	L3	L4	L5	S1	S2	S3	REF.
0110550000	L	315	6	M 12x1,5	16	7	27	42	22	14	17	17	M.PTR 6-16 L
0110550020	L	315	6	M 12x1,5	8	7	19	34	22	14	17	17	M.PTR 6-8 L
0110550050	L	315	8	M 14x1,5	16	8	27	42	23	17	19	19	M.PTR 8-16 L
0110550060	L	315	8	M 14x1,5	8	8	19	34	23	17	19	19	M.PTR 8-8 L
0110550100	L	315	10	M 16x1,5	16	10	28	43	25	19	22	22	M.PTR 10-16 L
0110550110	L	315	10	M 16x1,5	8	10	20	34	25	19	22	22	M.PTR 10-8 L
0110550140	L	315	12	M 18x1,5	8	10	21	35	25	22	24	24	M.PTR 12-8 L
0110550150	L	315	12	M 18x1,5	16	10	29	44	25	22	24	24	M.PTR 12-16 L
0110550190	L	315	15	M 22x1,5	8	12	23	38	27	27	27	30	M.PTR 15-8 L
0110550200	L	315	15	M 22x1,5	16	12	31	46	27	27	27	30	M.PTR 15-16 L
0110550240	L	315	18	M 26x1,5	8	13,5	24,5	41	30	32	32	36	M.PTR 18-8 L
0110550250	L	315	18	M 26x1,5	16	13,5	32,5	49	30	32	32	36	M.PTR 18-16 L
0110550300	L	160	22	M 30x2	16	16,5	34,5	51	33	36	36	41	M.PTR 22-16 L
0110550350	L	160	28	M 36x2	16	18,5	35,5	52	35	41	41	46	M.PTR 28-16 L
0110550400	L	160	35	M 45x2	16	18,5	36,5	58	40	50	50	55	M.PTR 35-16 L
0110550450	L	160	42	M 52x2	16	19	36	59	42	60	60	65	M.PTR 42-16 L
0110550500	S	630	6	M 14x1,5	16	12	29	44	27	17	19	19	M.PTR 6-16 S
0110550550	S	630	8	M 16x1,5	16	13	29	44	28	19	22	22	M.PTR 8-16 S
0110550600	S	630	10	M 18x1,5	16	14,5	29,5	46	31	22	24	24	M.PTR 10-16 S
0110550650	S	630	12	M 20x1,5	16	13,5	30,5	47	31	24	27	27	M.PTR 12-16 S
0110550700	S	630	14	M 22x1,5	16	16	32	50	35	27	30	30	M.PTR 14-16 S
0110550750	S	400	16	M 24x1,5	16	17,5	31,5	50	35	30	32	32	M.PTR 16-16 S
0110550800	S	400	20	M 30x2	16	18,5	33,5	56	39	36	41	41	M.PTR 20-16 S
0110550850	S	400	25	M 36x2	16	19	35	59	44	46	46	46	M.PTR 25-16 S
0110550900	S	400	30	M 42x2	16	21,5	37,5	64	48	50	50	50	M.PTR 30-16 S
0110550950	S	315	38	M 52x2	16	22	37	68	53	60	65	65	M.PTR 38-16 S

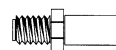
RACORES FITTINGS



M.PTRA

79

BAR

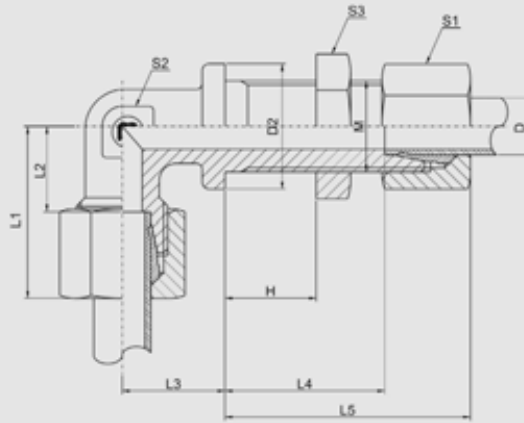


COD.	SERIE	PN BAR	D	R	L1	L2	L3	L4	S1	S2	S3	REF.
0110560000	L	250	6	1/8" BSP	16	27	42	12	14	17	17	M.PTRA 6-16-1/8" L
0110560050	L	250	8	1/4" BSP	16	27	42	14	17	19	19	M.PTRA 8-16-1/4" L
0110560100	L	250	10	3/8" BSP	16	28	43	17	19	22	22	M.PTRA 10-16-3/8" L
0110560150	L	250	12	3/8" BSP	16	29	44	18	22	24	24	M.PTRA 12-16-3/8" L
0110560200	L	250	15	1/2" BSP	16	31	46	21	27	27	30	M.PTRA 15-16-1/2" L
0110560250	L	160	18	1/2" BSP	16	32,5	49	23	32	32	36	M.PTRA 18-16-1/2" L

UNIÓN
PASATABIQUE
MACHO

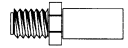
BULKHEAD
UNION

RACORES FITTINGS



80

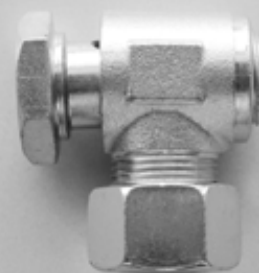
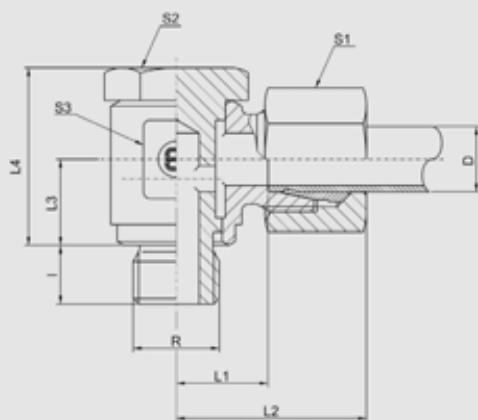
M.PTC



**ESCUADRA UNIÓN
PASATABIQUE; DIN
3911**

*BULKHEAD ELBOW;
DIN 3911*

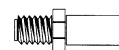
COD.	SERIE	PN BAR	D	M	H	L1	L2	L3	L4	L5	S1	S2	S3	D2	REF.
0110570000	L	315	6	M 12x1,5	16	27	12	14	27	42	14	12	17	17	M.PTC 6-16 L
0110570050	L	315	8	M 14x1,5	16	29	14	17	27	42	17	12	19	19	M.PTC 8-16 L
0110570100	L	315	10	M 16x1,5	16	30	15	18	28	43	19	14	22	22	M.PTC 10-16 L
0110570150	L	315	12	M 18x1,5	16	32	17	20	29	44	22	17	24	24	M.PTC 12-16 L
0110570200	L	315	15	M 22x1,5	16	36	21	23	31	46	27	19	30	27	M.PTC 15-16 L
0110570250	L	315	18	M 26x1,5	16	40	23,5	24	32,5	49	32	24	36	32	M.PTC 18-16 L
0110570300	L	160	22	M 30x2	16	44	27,5	30	34,5	51	36	27	41	36	M.PTC 22-16 L
0110570350	L	160	28	M 36x2	16	47	30,5	34	35,5	52	41	36	46	42	M.PTC 28-16 L
0110570400	L	160	35	M 45x2	16	56	34,5	39	36,5	58	50	41	55	50	M.PTC 35-16 L
0110570450	L	160	42	M 52x2	16	63	40	43	36	59	60	50	65	60	M.PTC 42-16 L
0110570500	S	630	6	M 14x1,5	16	31	16	17	29	44	17	12	19	19	M.PTC 6-16 S
0110570550	S	630	8	M 16x1,5	16	32	17	18	29	44	19	14	22	22	M.PTC 8-16 S
0110570600	S	630	10	M 18x1,5	16	34	17,5	20	29,5	46	22	17	24	24	M.PTC 10-16 S
0110570650	S	630	12	M 20x1,5	16	38	21,5	21	30,5	47	24	17	27	27	M.PTC 12-16 S
0110570700	S	630	14	M 22x1,5	16	40	22	23	32	50	27	19	30	27	M.PTC 14-16 S
0110570750	S	400	16	M 24x1,5	16	43	24,5	24	31,5	50	30	24	32	30	M.PTC 16-16 S
0110570800	S	400	20	M 30x2	16	48	26,5	30	33,5	55	36	27	41	36	M.PTC 20-16 S
0110570850	S	400	25	M 36x2	16	54	30	34	35	59	46	36	46	42	M.PTC 25-16 S
0110570900	S	400	30	M 42x2	16	62	35,5	39	37,5	64	50	41	50	50	M.PTC 30-16 S
0110570950	S	315	38	M 52x2	16	72	41	43	37	68	60	50	65	60	M.PTC 38-16 S



M.RFO (BSP)

81

BAR

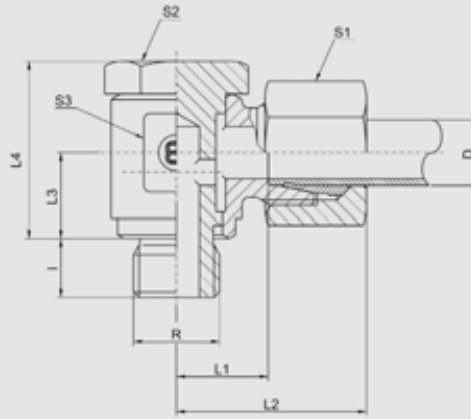
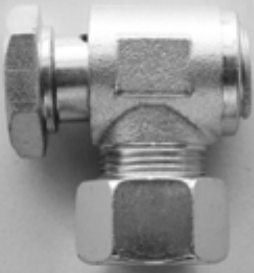


COD.	SERIE	PN BAR	D	R	I	L1	L2	L3	L4	S1	S2	S3	REF.
0110580000	LL	100	4	1/8" BSP	6	13	23	11	23	10	14	18	M.RFO 4-1/8" LL
0110580100	LL	100	6	1/8" BSP	6	13	23	11	23	12	14	18	M.RFO 6-1/8" LL
0110590000	L	250	6	1/8" BSP	6	13	23	11	23	14	14	18	M.RFO 6-1/8" L
0110590010	L	250	6	1/4" BSP	9	13	28	14,5	29	14	19	20	M.RFO 6-1/4" L
0110590050	L	250	8	1/4" BSP	9	13	28	14,5	29	17	19	20	M.RFO 8-1/4" L
0110590100	L	250	10	1/4" BSP	9	14	29	15,5	31	19	19	22	M.RFO 10-1/4" L
0110590150	L	250	12	3/8" BSP	9	14,5	29,5	16	33	22	22	25	M.RFO 12-3/8" L
0110590200	L	250	15	1/2" BSP	11	21	36	20	42	27	27	32	M.RFO 15-1/2" L
0110590250	L	160	18	1/2" BSP	11	21,5	38	21	44	32	27	34	M.RFO 18-1/2" L
0110590300	L	160	22	3/4" BSP	13	26,5	43	25	52	36	27	40	M.RFO 22-3/4" L
0110590500	S	250	6	1/4" BSP	9	15	30	15,5	31	17	19	20	M.RFO 6-1/4" S
0110590550	S	250	8	1/4" BSP	9	15	30	15,5	31	19	19	20	M.RFO 8-1/4" S
0110590600	S	250	10	3/8" BSP	9	15	31,5	16	33	22	22	25	M.RFO 10-3/8" S
0110590650	S	250	12	3/8" BSP	9	15	31,5	16	33	24	22	25	M-RFO 12-3/8" S
0110590750	S	250	14	1/2" BSP	11	22	40,5	20	42	27	27	32	M.RFO 14-1/2" S
0110590800	S	160	16	1/2" BSP	11	24,5	43	21	44	30	27	34	M.RFO 16-1/2" S
0110590850	S	160	20	3/4" BSP	13	25,5	47	25	52	36	27	40	M.RFO 20-3/4" S

**RACOR ORIENTA-
BLE (BSP)**

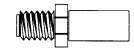
*BANJO ELBOW
(BSP)*

RACORES FITTINGS



82

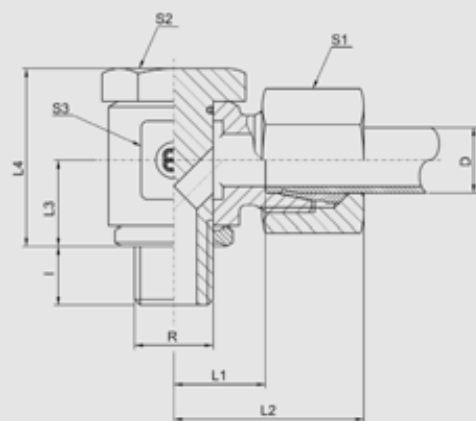
M.RFO (Metric)



**RACOR ORIENTA-
BLE (MÉTRICO)**

*BANJO ELBOW
(METRIC)*

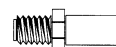
COD.	SERIE	PN BAR	D	R	I	L1	L2	L3	L4	S1	S2	S3	REF.
0110600060	LL	100	4	M8x1	6	10,5	21	8	18,5	10	12	12	M.RFO 4-M8x1 LL
0110600050	LL	100	6	M10x1	6	10	22	9	20,5	12	14	14	M.RFO 6-M10x1 LL
0110600030	LL	100	8	M10x1	6	11	23	10	22,5	14	14	14	M.RFO 8-M10x1 LL
0110610000	L	250	6	M10x1	6	10,5	25	10	23,5	14	14	14	M.RFO 6-M10x1 L
0110610050	L	250	8	M12x1,5	9	13	28	12	27	17	17	17	M.RFO 8-M12x1,5 L
0110610100	L	250	10	M14x1,5	9	14	29	13	28	19	19	19	M.RFO 10-M14x1,5 L
0110610150	L	250	12	M16x1,5	9	15,5	30	15	33	22	22	22	M.RFO 12-M16x1,5 L
0110610160	L	250	12	M18x1,5	9	16,5	31	18,5	38	22	24	24	M.RFO 12-M18x1,5 L
0110610200	L	250	15	M18x1,5	9	17,5	33	18,5	38	27	24	24	M.RFO 15-M18x1,5 L
0110610250	L	160	18	M22x1,5	11	20	36,5	22	44	32	27	30	M.RFO 18-M22x1,5 L
0110610300	L	160	22	M26x1,5	13	25	41,5	24,5	48	36	32	36	M.RFO 22-M26x1,5 L
0110610500	S	250	6	M12x1,5	9	14	29	12	27	17	17	17	M.RFO 6-M12x1,5 S
0110610550	S	250	8	M14x1,5	9	15	30	13	28	19	19	19	M.RFO 8-M14x1,5 S
0110610600	S	250	10	M16x1,5	9	16	32	15	33	22	22	22	M.RFO 10-M16x1,5 S
0110610650	S	250	12	M18x1,5	9	17	33	16,5	35	24	24	24	M.RFO 12-M18x1,5 S
0110610700	S	250	14	M20x1,5	11	20	38	18,5	39	27	27	27	M.RFO 14-M20x1,5 S
0110610750	S	160	16	M22x1,5	11	21	40	20,5	42	30	27	30	M.RFO 16-M22x1,5 S
0110610800	S	160	20	M27x2	13	24	46	23,5	48	36	32	36	M.RFO 20-M27x2 S



M.RFPT (BSP)

83

BAR



COD.	SERIE	PN BAR	D	R	I	L1	L2	L3	L4	S1	S2	S3	REF.
0110930000	L	500	6	1/8" BSP	8	12	27	10,5	25,3	14	14	19	M.RFPT 6-1/8" L
0110930050	L	400	8	1/4" BSP	12	14,5	29,5	14	31,5	17	19	22	M.RFPT 8-1/4" L
0110930100	L	350	10	1/4" BSP	12	15,5	30,5	14	33	19	19	22	M.RFPT 10-1/4" L
0110930150	L	350	12	3/8" BSP	12	18	33	16,5	38,5	22	22	27	M.RFPT 12-3/8" L
0110930170	L	315	12	1/2" BSP	14	22	37	21,5	45,5	22	27	32	M.RFPT 12-1/2" L
0110930200	L	315	15	1/2" BSP	14	22	37	21,5	45,5	27	27	32	M.RFPT 15-1/2" L
0110930250	L	315	18	1/2" BSP	14	21,5	38	21,5	47,5	32	27	36	M.RFPT 18-1/2" L
0110930300	L	200	22	3/4" BSP	16	28,5	45	24	56,5	36	36	46	M.RFPT 22-3/4" L
0110930350	L	200	28	1" BSP	18	31,5	48	30,5	68	41	41	50	M.RFPT 28-1" L
0110930400	L	200	35	1"1/4" BSP	20	35,5	57	35,5	78	50	50	60	M.RFPT 35-1"1/4" L
0110930450	L	200	42	1"1/2" BSP	22	40	63	40,5	88,5	60	60	70	M.RFPT 42-1"1/2" L
0110930500	S	500	6	1/4" BSP	12	16,5	31,5	14	30,5	17	19	22	M.RFPT 6-1/4" S
0110930550	S	450	8	1/4" BSP	12	16,5	31,5	14	31	19	19	22	M.RFPT 8-1/4" S
0110930600	S	400	10	3/8" BSP	12	18,5	35	16,5	37	22	22	27	M.RFPT 10-3/8" S
0110930650	S	400	12	3/8" BSP	12	18,5	35	16,5	37,5	24	22	27	M.RFPT 12-3/8" S
0110930700	S	400	14	1/2" BSP	14	23	41	21,5	43	27	27	32	M.RFPT 14-1/2" S
0110930750	S	400	16	1/2" BSP	14	22,5	41	21,5	47	30	27	36	M.RFPT 16-1/2" S
0110930800	S	400	20	3/4" BSP	16	27,5	49	24	55	36	36	46	M.RFPT 20-3/4" S
0110930850	S	250	25	1" BSP	18	31	55	30,5	66,5	46	41	50	M.RFPT 25-1" S
0110930900	S	250	30	1"1/4" BSP	20	36,5	63	35,5	75,5	50	50	60	M.RFPT 30-1"1/4" S
0110930950	S	250	38	1"1/2" BSP	22	41	72	40,5	86,5	60	60	70	M.RFPT 38-1"1/2" S

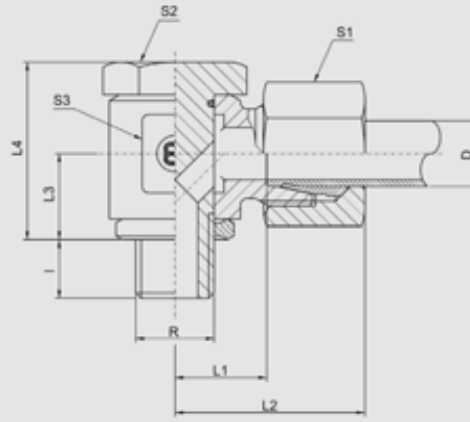
**RACOR ORIENTA-
BLE PASO TOTAL
(BSP)**

**HIGH PRESSURE
BANJO ELBOW
(BSP)**

Opción: ① Con anillo de arista de estanqueidad metálico.
② Con junta metaloplástica para orientable.

Option: ① With metal sealing ring
② With soft seal ring

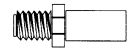
RACORES FITTINGS



84

M.RFPT (Metric)

BAR



**RACOR ORIENTA-
BLE PASO TOTAL
(MÉTRICO)**

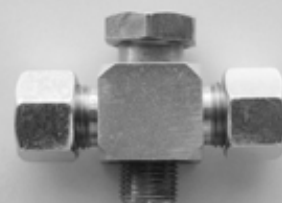
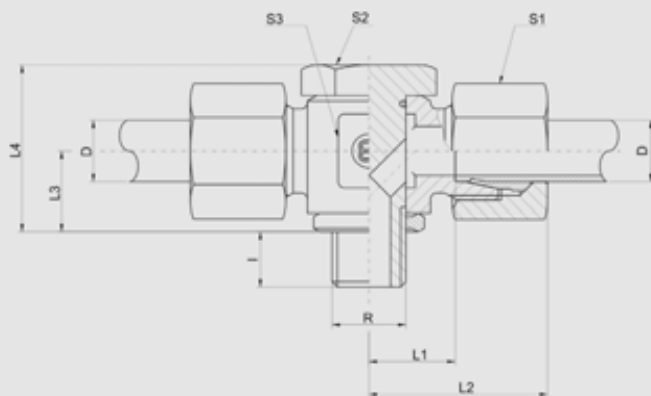
**HIGH PRESSURE
BANJO ELBOW
(METRIC)**

COD.	SERIE	PN BAR	D	R	I	L1	L2	L3	L4	S1	S2	S3	REF.
0110940000	L	500	6	M10x1	8	12	27	10,5	25,3	14	14	19	M.RFPT 6-M10x1 L
0110940050	L	400	8	M12x1,5	12	14,5	29,5	14	31,5	17	17	22	M.RFPT 8-M12x1,5 L
0110940100	L	350	10	M14x1,5	12	15,5	30,5	14	33	19	19	22	M.RFPT 10-M14x1,5 L
0110940150	L	350	12	M16x1,5	12	18	33	16,5	38,5	22	22	27	M.RFPT 12-M16x1,5 L
0110940160	L	315	12	M18x1,5	12	20	35	18,5	42,5	22	24	30	M.RFPT 12-M18x1,5 L
0110940200	L	315	15	M18x1,5	12	21	36	18,5	42,5	27	24	30	M.RFPT 15-M18x1,5 L
0110940220	L	315	15	M22x1,5	14	22	37	21,5	47,5	27	27	36	M.RFPT 15-M22x1,5 L
0110940250	L	315	18	M22x1,5	14	21,5	38	21,5	47,5	32	27	36	M.RFPT 18-M22x1,5 L
0110940300	L	200	22	M26x1,5	16	26	42,5	24	55,5	36	32	41	M.RFPT 22-M26x1,5 L
0110940350	L	200	28	M33x2	18	31,5	48	30,5	68	41	41	50	M.RFPT 28-M33x2 L
0110940400	L	200	35	M42x2	20	35,5	57	35,5	78	50	50	60	M.RFPT 35-M42x2 L
0110940440	L	200	42	M48x2	22	40	63	40,5	88,5	60	60	70	M.RFPT 42-M48x2 L
0110940500	S	500	6	M12x1,5	12	16,5	31,5	14	30,5	17	17	22	M.RFPT 6-M12x1,5 S
0110940550	S	450	8	M14x1,5	12	16,5	31,5	14	31	19	19	22	M.RFPT 8-M14x1,5 S
0110940600	S	400	10	M16x1,5	12	18,5	35	16,5	37	22	22	27	M.RFPT 10-M16x1,5 S
0110940650	S	400	12	M18x1,5	12	20,5	37	18,5	40	24	24	30	M.RFPT 12-M18x1,5 S
0110940700	S	400	14	M20x1,5	14	23	41	20	43	27	27	32	M.RFPT 14-M20x1,5 S
0110940750	S	400	16	M22x1,5	14	22,5	41	21,5	47	30	27	36	M.RFPT 16-M22x1,5 S
0110940800	S	400	20	M27x2	16	27,5	49	24	55	36	36	46	M.RFPT 20-M27x2 S
0110940850	S	250	25	M33x2	18	31	55	30,5	66,6	46	41	50	M.RFPT 25-M33x2 S
0110940900	S	250	30	M42x2	20	36,5	63	35,5	75,5	50	50	60	M.RFPT 30-M42x2 S
0110940950	S	250	38	M48x2	22	41	72	40,5	86,5	60	60	70	M.RFPT 38-M48x2 S

- Opción:** ① Con anillo de arista de estanqueidad metálico.
② Con junta metaloplástica para orientable.

- Option:** ① With metal sealing ring
② With soft seal ring

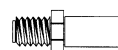
RACORES FITTINGS



M.RFTT (BSP)

85

BAR



COD.	SERIE	PN BAR	D	R	I	L1	L2	L3	L4	S1	S2	S3	REF.
0110950000	L	315	6	1/8" BSP	8	12	27	10,5	24	14	17	17	M.RFTT 6-1/8" L
011095050	L	315	8	1/4" BSP	12	14,5	29	14	30	17	19	22	M.RFTT 8-1/4" L
0110950100	L	315	10	1/4" BSP	12	15,5	30	14	30	19	19	22	M.RFTT 10-1/4" L
0110950150	L	315	12	3/8" BSP	12	18	33	16,5	36	22	24	27	M.RFTT 12-3/8" L
0110950200	L	315	15	1/2" BSP	14	21,5	37	21,5	45	27	30	32	M.RFTT 15-1/2" L
0110950250	L	315	18	1/2" BSP	14	21	37	21,5	45	32	30	32	M.RFTT 18-1/2" L
0110950300	L	160	22	3/4" BSP	16	27,5	44	24	53	36	36	41	M.RFTT 22-3/4" L
0110950350	L	160	28	1" BSP	18	32	49	30,5	66	41	46	50	M.RFTT 28-1" L
0110950400	L	160	35	1"1/4" BSP	20	36	58	35,5	76	50	55	60	M.RFTT 35-1"1/4" L
0110950450	L	160	42	1"1/2" BSP	22	40,5	63	40,5	87	60	60	70	M.RFTT 42-1"1/2" L
0110950500	S	400	6	1/4" BSP	12	16,5	31	14	30	17	19	22	M.RFTT 6-1/4" S
0110950550	S	400	8	1/4" BSP	12	16,5	31	14	30	19	19	22	M.RFTT 8-1/4" S
0110950600	S	400	10	3/8" BSP	12	18,5	35	16,5	36	22	24	27	M.RFTT 10-3/8" S
0110950650	S	400	12	3/8" BSP	12	18,5	35	16,5	36	24	24	27	M.RFTT 12-3/8" S
0110950700	S	400	14	1/2" BSP	14	22,5	40	21,5	45	27	30	32	M.RFTT 14-1/2" S
0110950750	S	400	16	1/2" BSP	14	22	40	21,5	45	30	30	32	M.RFTT 16-1/2" S
0110950800	S	400	20	3/4" BSP	16	26,5	48	24	53	36	36	41	M.RFTT 20-3/4" S
0110950850	S	250	25	1" BSP	18	31,5	56	30,5	66	46	46	50	M.RFTT 25-1" S
0110950900	S	250	30	1"1/4" BSP	20	37	64	35,5	76	50	55	60	M.RFTT 30-1"1/4" S
0110950950	S	250	38	1"1/2" BSP	22	41,5	72	40,5	87	60	60	70	M.RFTT 38-1"1/2" S

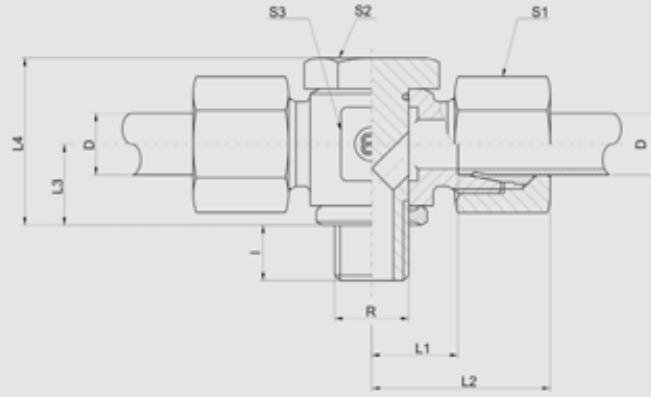
RACOR "T" ORIEN-
TABLE PASO TOTAL
(BSP)

HIGH PRESSURE
BANJO TEE (BSP)

- Opción:** ① Con anillo de arista de estanqueidad metálico.
② Con junta metaloplástica para orientable.

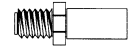
- Option:** ① With metal sealing ring
② With soft seal ring

RACORES FITTINGS



86

M.RFTT (Metric)



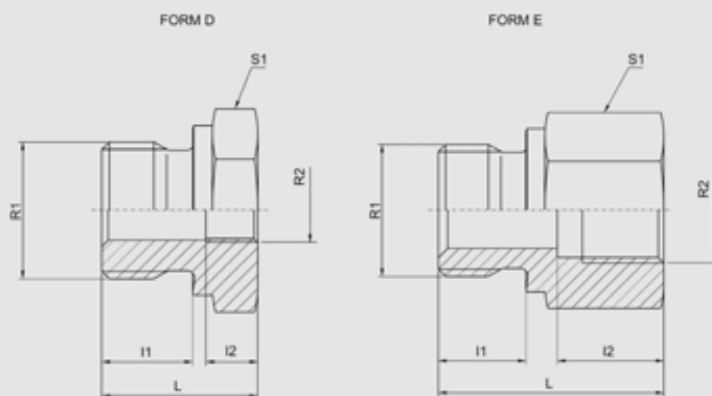
**RACOR "T" ORIEN-
TABLE PASO TOTAL
(MÉTRICO)**

**HIGH PRESSURE
BANJO TEE
(METRIC)**

COD.	SERIE	PN BAR	D	R	I	L1	L2	L3	L4	S1	S2	S3	REF.
0111950000	L	315	6	M10x1	8	12	27	10,5	24	14	17	17	M.RFTT 6-M10x1 L
0111950050	L	315	8	M12x1,5	12	14,5	29	14	30	17	19	22	M.RFTT 8-M12x1,5 L
0111950100	L	315	10	M14x1,5	12	15,5	30	14	30	19	19	22	M.RFTT 10-M14x1,5 L
0111950150	L	315	12	M16x1,5	12	18	33	16,5	36	22	24	27	M.RFTT 12-M16x1,5 L
0111950200	L	315	15	M18x1,5	12	21,5	37	18,5	39,5	27	30	30	M.RFTT 15-M18x1,5 L
0111950250	L	315	18	M22x1,5	14	21	37	21,5	45	32	30	32	M.RFTT 18-M22x1,5 L
0111950300	L	160	22	M26x1,5	16	27,5	44	24	53	36	36	41	M.RFTT 22-M26x1,5 L
0111950350	L	160	28	M33x2	18	32	49	30,5	66	41	46	50	M.RFTT 28-M33x2 L
0111950400	L	160	35	M42x2	20	36	58	35,5	76	50	55	60	M.RFTT 35-M42x2 L
0111950440	L	160	42	M48x2	22	40,5	63	40,5	87	60	60	70	M.RFTT 42-M48x2 L
0111950500	S	400	6	M12x1,5	12	16,5	31	14	30	17	19	22	M.RFTT 6-M12x1,5 S
0111950550	S	400	8	M14x1,5	12	16,5	31	14	30	19	19	22	M.RFTT 8-M14x1,5 S
0111950600	S	400	10	M16x1,5	12	18,5	35	16,5	36	22	24	27	M.RFTT 10-M16x1,5 S
0111950650	S	400	12	M18x1,5	12	20	36	18,5	39,5	24	27	27	M.RFTT 12-M18x1,5 S
0111950700	S	400	14	M20x1,5	14	22,5	40	20	43,5	27	30	32	M.RFTT 14-M20x1,5 S
0111950750	S	400	16	M22x1,5	14	22	40	21,5	45	30	30	32	M.RFTT 16-M22x1,5 S
0111950800	S	400	20	M27x2	16	26,5	48	24	53	36	36	41	M.RFTT 20-M27x2 S
0111950850	S	250	25	M33x2	18	31,5	56	30,5	66	46	46	50	M.RFTT 25-M33x2 S
0111950900	S	250	30	M42x2	20	37	64	35,5	76	50	55	60	M.RFTT 30-M42x2 S
0111950950	S	250	38	M48x2	22	41,5	72	40,5	87	60	60	70	M.RFTT 38-M48x2 S

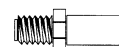
- Opción:** ① Con anillo de arista de estanqueidad metálico.
② Con junta metaloplástica para orientable.

- Option:** ① With metal sealing ring
② With soft seal ring



M.RI

87

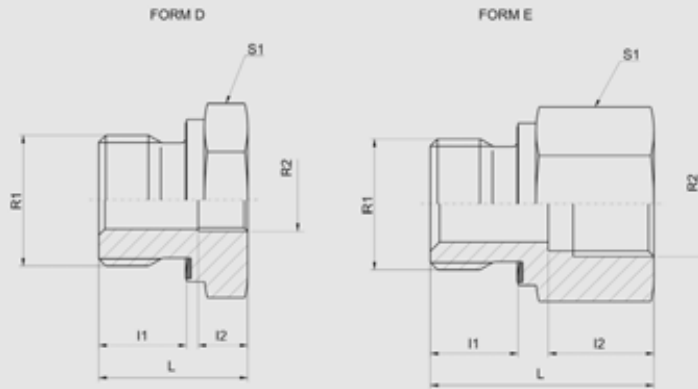
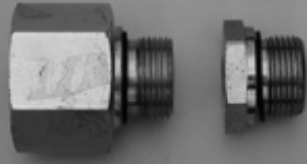


COD.	R1	R2	I1	I2	L	S1	FORM.	REF.
0110710010	1/8" BSP	1/4" BSP	8	17	31	19	E	M.RI 1/8"-1/4"
0110710020	1/8" BSP	3/8" BSP	8	17	32	24	E	M.RI 1/8"-3/8"
0110710110	1/4" BSP	1/8" BSP	12	12	28	19	E	M.RI 1/4"-1/8"
0110710120	1/4" BSP	3/8" BSP	12	17	36	24	E	M.RI 1/4"-3/8"
0110710130	1/4" BSP	1/2" BSP	12	20	40	27	E	M.RI 1/4"-1/2"
0110710150	1/4" BSP	3/4" BSP	12	22	43	36	E	M.RI 1/4"-3/4"
0110710210	3/8" BSP	1/8" BSP	12	12	22,5	22	D	M.RI 3/8"-1/8"
0110710220	3/8" BSP	1/4" BSP	12	17	36	22	E	M.RI 3/8"-1/4"
0110710230	3/8" BSP	1/2" BSP	12	20	41	27	E	M.RI 3/8"-1/2"
0110710250	3/8" BSP	3/4" BSP	12	22	44	36	E	M.RI 3/8"-3/4"
0110710310	1/2" BSP	1/8" BSP	14	8	24	27	D	M.RI 1/2"-1/8"
0110710320	1/2" BSP	3/8" BSP	14	17	36	27	E	M.RI 1/2"-3/8"
0110710330	1/2" BSP	1/4" BSP	14	12	24	27	D	M.RI 1/2"-1/4"
0110710350	1/2" BSP	3/4" BSP	14	22	46	36	E	M.RI 1/2"-3/4"
0110710360	1/2" BSP	1" BSP	14	24,5	49	41	E	M.RI 1/2"-1"
0110710370	1/2" BSP	1"1/4" BSP	14	26,5	53	55	E	M.RI 1/2"-1"1/4"
0110710510	3/4" BSP	1/4" BSP	16	12	26	32	D	M.RI 3/4"-1/4"
0110710520	3/4" BSP	3/8" BSP	16	12	26	32	D	M.RI 3/4"-3/8"
0110710530	3/4" BSP	1/2" BSP	16	20	41	32	E	M.RI 3/4"-1/2"
0110710550	3/4" BSP	1" BSP	16	24,5	51	41	E	M.RI 3/4"-1"
0110710560	3/4" BSP	1"1/4" BSP	16	26,5	55	55	E	M.RI 3/4"-1"1/4"
0110710570	3/4" BSP	1"1/2" BSP	16	28,5	57	60	E	M.RI 3/4"-1"1/2"
0110710620	1" BSP	1/4" BSP	18	12	29	41	D	M.RI 1"-1/4"
0110710630	1" BSP	3/8" BSP	18	12	29	41	D	M.RI 1"-3/8"
0110710640	1" BSP	1/2" BSP	18	14	29	41	D	M.RI 1"-1/2"
0110710660	1" BSP	3/4" BSP	18	22	47	41	E	M.RI 1"-3/4"
0110710670	1" BSP	1"1/4" BSP	18	26,5	57	55	E	M.RI 1"-1"1/4"
0110710680	1" BSP	1"1/2" BSP	18	28,5	59	60	E	M.RI 1"-1"1/2"
0110710740	1"1/4" BSP	1/2" BSP	20	14	32	50	D	M.RI 1"1/4"-1/2"
0110710760	1"1/4" BSP	3/4" BSP	20	16	32	50	D	M.RI 1"1/4"-3/4"
0110710770	1"1/4" BSP	1" BSP	20	24,5	52	50	E	M.RI 1"1/4"-1"
0110710780	1"1/4" BSP	1"1/2" BSP	20	28,5	60	60	E	M.RI 1"1/4"-1"1/2"
0110710840	1"1/2" BSP	1/2" BSP	22	14	36	55	D	M.RI 1"1/2"-1/2"
0110710860	1"1/2" BSP	3/4" BSP	22	16	36	55	D	M.RI 1"1/2"-3/4"
0110710870	1"1/2" BSP	1" BSP	22	18	36	55	D	M.RI 1"1/2"-1"
0110710880	1"1/2" BSP	1"1/4" BSP	22	26,5	58	55	E	M.RI 1"1/2"-1"1/4"

**REDUCCIÓN
MACHO HEMBRA**

**THREAD REDUCER -
EXPANDER**

RACORES FITTINGS

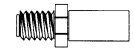


88

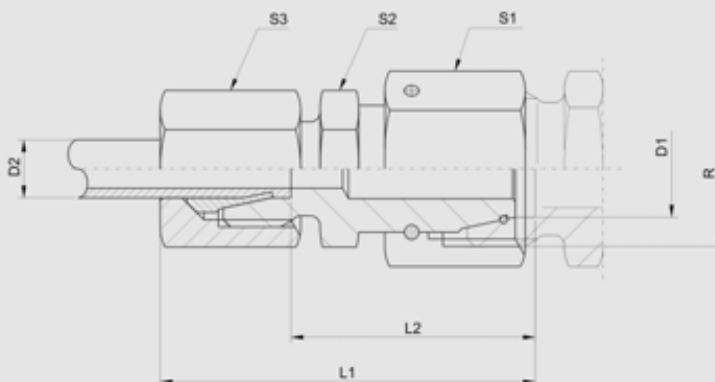
M.RI ed

**REDUCCIÓN
MACHO HEMBRA
CON JUNTA "ED"**

*THREAD REDUCER
- EXPANDER WITH
SEAL "ED"*



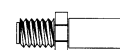
COD.	R1	R2	I1	I2	L	S1	FORM.	REF.
0111710010	1/8" BSP	1/4" BSP	8	17	31	19	E	M.RI 1/8"-1/4" ED
0111710020	1/8" BSP	3/8" BSP	8	17	32	24	E	M.RI 1/8"-3/8" ED
0111710110	1/4" BSP	1/8" BSP	12	12	29	19	E	M.RI 1/4"-1/8" ED
0111710120	1/4" BSP	3/8" BSP	12	17	36	24	E	M.RI 1/4"-3/8" ED
0111710130	1/4" BSP	1/2" BSP	12	20	40	30	E	M.RI 1/4"-1/2" ED
0111710150	1/4" BSP	3/4" BSP	12	22	43	36	E	M.RI 1/4"-3/4" ED
0111710210	3/8" BSP	1/8" BSP	12	8	22,5	22	D	M.RI 3/8"-1/8" ED
0111710220	3/8" BSP	1/4" BSP	12	17	36	22	E	M.RI 3/8"-1/4" ED
0111710230	3/8" BSP	1/2" BSP	12	20	41	30	E	M.RI 3/8"-1/2" ED
0111710250	3/8" BSP	3/4" BSP	12	22	44	36	E	M.RI 3/8"-3/4" ED
0111710310	1/2" BSP	1/8" BSP	14	8	24	27	D	M.RI 1/2"-1/8" ED
0111710320	1/2" BSP	3/8" BSP	14	17	37	27	E	M.RI 1/2"-3/8" ED
0111710330	1/2" BSP	1/4" BSP	14	12	24	27	D	M.RI 1/2"-1/4" ED
0111710350	1/2" BSP	3/4" BSP	14	22	46	36	E	M.RI 1/2"-3/4" ED
0111710360	1/2" BSP	1" BSP	14	24,5	49	41	E	M.RI 1/2"-1" ED
0111710370	1/2" BSP	1"1/4" BSP	14	26,5	53	55	E	M.RI 1/2"-1"1/4" ED
0111710510	3/4" BSP	1/4" BSP	16	12	26	32	D	M.RI 3/4"-1/4" ED
0111710520	3/4" BSP	3/8" BSP	16	12	26	32	D	M.RI 3/4"-3/8" ED
0111710530	3/4" BSP	1/2" BSP	16	20	43	32	E	M.RI 3/4"-1/2" ED
0111710550	3/4" BSP	1" BSP	16	24,5	51	41	E	M.RI 3/4"-1" ED
0111710560	3/4" BSP	1"1/4" BSP	16	26,5	55	55	E	M.RI 3/4"-1"1/4" ED
0111710570	3/4" BSP	1"1/2" BSP	16	28,5	57	60	E	M.RI 3/4"-1"1/2" ED
0111710620	1" BSP	1/4" BSP	18	12	29	41	D	M.RI 1"-1/4" ED
0111710630	1" BSP	3/8" BSP	18	12	29	41	D	M.RI 1"-3/8" ED
0111710640	1" BSP	1/2" BSP	18	14	29	41	D	M.RI 1"-1/2" ED
0111710660	1" BSP	3/4" BSP	18	22	49	41	E	M.RI 1"-3/4" ED
0111710670	1" BSP	1"1/4" BSP	18	26,5	57	55	E	M.RI 1"-1"1/4" ED
0111710680	1" BSP	1"1/2" BSP	18	28,5	59	60	E	M.RI 1"-1"1/2" ED
0111710740	1"1/4" BSP	1/2" BSP	20	14	32	50	D	M.RI 1"1/4"-1/2" ED
0111710760	1"1/4" BSP	3/4" BSP	20	16	32	50	D	M.RI 1"1/4"-3/4" ED
0111710770	1"1/4" BSP	1" BSP	20	24,5	52	50	E	M.RI 1"1/4"-1" ED
0111710780	1"1/4" BSP	1"1/2" BSP	20	28,5	60	60	E	M.RI 1"1/4"-1"1/2" ED
0111710840	1"1/2" BSP	1/2" BSP	22	14	36	55	D	M.RI 1"1/2"-1/2" ED
0111710860	1"1/2" BSP	3/4" BSP	22	16	36	55	D	M.RI 1"1/2"-3/4" ED
0111710870	1"1/2" BSP	1" BSP	22	18	36	55	D	M.RI 1"1/2"-1" ED
0111710880	1"1/2" BSP	1"1/4" BSP	22	26,5	58	55	E	M.RI 1"1/2"-1"1/4" ED



M.REP DKO

89

BAR

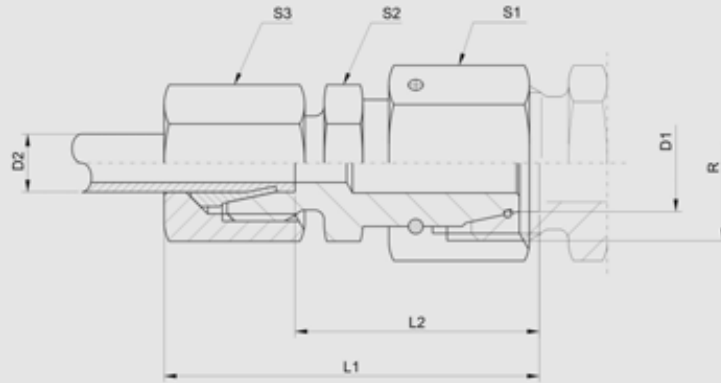


COD.	SERIE	PN BAR	D1	D2	R	L1	L2	S1	S2	S3	REF.
0110740050	L	315	8	6	M14x1,5	38	23,5	17	12	14	M.REP 8-6 DKO L
0110740100	L	315	10	6	M16x1,5	39,5	25	19	14	14	M.REP 10-6 DKO L
0110740110	L	315	10	8	M16x1,5	39,5	25	19	14	17	M.REP 10-8 DKO L
0110740150	L	315	12	6	M18x1,5	39,5	25	22	17	14	M.REP 12-6 DKO
0110740160	L	315	12	8	M18x1,5	39,5	25	22	17	17	M.REP 12-8 DKO L
0110740170	L	315	12	10	M18x1,5	40,5	26	22	17	19	M.REP 12-10 DKO L
0110740200	L	315	15	6	M22x1,5	42,5	28	27	19	14	M.REP 15-6 DKO L
0110740210	L	315	15	8	M22x1,5	42,5	28	27	19	17	M.REP 15-8 DKO L
0110740220	L	315	15	10	M22x1,5	43,5	29	27	19	19	M.REP 15-10 DKO L
0110740230	L	315	15	12	M22x1,5	43,5	29	27	19	22	M.REP 15-12 DKO L
0110740250	L	315	18	6	M26x1,5	42,5	28	32	24	14	M.REP 18-6 DKO L
0110740260	L	315	18	8	M26x1,5	42,5	28	32	24	17	M.REP 18-8 DKO L
0110740270	L	315	18	10	M26x1,5	43,5	29	32	24	19	M.REP 18-10 DKO L
0110740280	L	315	18	12	M26x1,5	43,5	29	32	24	22	M.REP 18-12 DKO L
0110740290	L	315	18	15	M26x1,5	45	30	32	24	27	M.REP 18-15 DKO L
0110740300	L	160	22	10	M30x2	47,5	33	36	27	19	M.REP 22-10 DKO L
0110740310	L	160	22	12	M30x2	47,5	33	36	27	22	M.REP 22-12 DKO L
0110740320	L	160	22	15	M30x2	49	34	36	27	27	M.REP 22-15 DKO L
0110740330	L	160	22	18	M30x2	49,5	33,5	36	27	32	M.REP 22-18 DKO L
0110740350	L	160	28	12	M36x2	49,5	35	41	32	22	M.REP 28-12 DKO L
0110740360	L	160	28	15	M36x2	51	36	41	32	27	M.REP 28-15 DKO L
0110740370	L	160	28	18	M36x2	51,5	35,5	41	32	32	M.REP 28-18 DKO L
0110740380	L	160	28	22	M36x2	53,5	37,5	41	32	36	M.REP 28-22 DKO L
0110740400	L	160	35	15	M45x2	54	39	50	41	27	M.REP 35-15 DKO L
0110740410	L	160	35	18	M45x2	54,5	38,5	50	41	32	M.REP 35-18 DKO L
0110740420	L	160	35	22	M45x2	56,5	40,5	50	41	36	M.REP 35-22 DKO L
0110740430	L	160	35	28	M45x2	57	40,5	50	41	41	M.REP 35-28 DKO L
0110740450	L	160	42	18	M52x2	58	42	60	50	32	M.REP 42-18 DKO L
0110740460	L	160	42	22	M52x2	60	44	60	50	36	M.REP 42-22 DKO L
0110740470	L	160	42	28	M52x2	60,5	44	60	50	41	M.REP 42-28 DKO L
0110740480	L	160	42	35	M52x2	64,5	43	60	50	50	M.REP 42-35 DKO L

**RACOR DE
REDUCCIÓN DKO;
ISO 8434-4**

**TUBE END REDU-
CER DKO;
ISO 8434-4**

RACORES FITTINGS



90

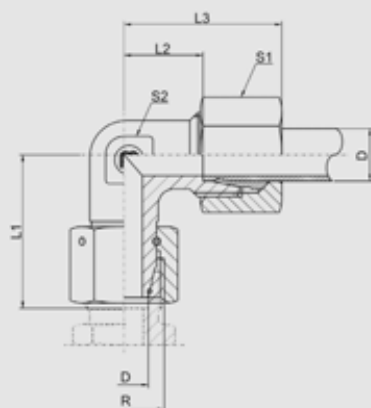
M.REP DKO



RACOR DE
REDUCCIÓN DKO;
ISO 8434-4

TUBE END REDU-
CER DKO;
ISO 8434-4

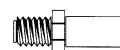
COD.	SERIE	PN BAR	D1	D2	R	L1	L2	S1	S2	S3	REF.
0110740550	S	630	8	6	M16x1,5	41,5	27	19	14	17	M.REP 8-6 DKO S
0110740600	S	630	10	6	M18x1,5	42	27,5	22	17	17	M.REP 10-6 DKO S
0110740610	S	630	10	8	M18x1,5	42	27,5	22	17	19	M.REP 10-8 DKO S
0110740650	S	630	12	6	M20x1,5	44,5	30	24	19	17	M.REP 12-6 DKO S
0110740660	S	630	12	8	M20x1,5	44,5	30	24	19	19	M.REP 12-8 DKO S
0110740670	S	630	12	10	M20x1,5	45,5	29,5	24	19	22	M.REP 12-10 DKO S
0110740700	S	630	14	6	M22x1,5	46	31,5	27	19	17	M.REP 14-6 DKO S
0110740710	S	630	14	8	M22x1,5	46	31,5	27	19	19	M.REP 14-8 DKO S
0110740720	S	630	14	10	M22x1,5	47	31	27	19	22	M.REP 14-10 DKO S
0110740730	S	630	14	12	M22x1,5	47	31	27	22	24	M.REP 14-12 DKO S
0110740750	S	400	16	6	M24x1,5	46,5	32	30	22	17	M.REP 16-6 DKO S
0110740760	S	400	16	8	M24x1,5	46,5	32	30	22	19	M.REP 16-8 DKO S
0110740770	S	400	16	10	M24x1,5	47,5	31,5	30	22	22	M.REP 16-10 DKO S
0110740780	S	400	16	12	M24x1,5	47,5	31,5	30	22	24	M.REP 16-12 DKO S
0110740790	S	400	16	14	M24x1,5	49,5	31,5	30	24	27	M.REP 16-14 DKO S
0110740800	S	400	20	8	M30x2	50,5	36	36	27	19	M.REP 20-8 DKO S
0110740810	S	400	20	10	M30x2	51,5	35,5	36	27	22	M.REP 20-10 DKO S
0110740820	S	400	20	12	M30x2	51,5	35,5	36	27	24	M.REP 20-12 DKO S
0110740830	S	400	20	14	M30x2	55	37	36	27	27	M.REP 20-14 DKO S
0110740840	S	400	20	16	M30x2	54,5	36,5	36	27	30	M.REP 20-16 DKO S
0110740850	S	400	25	10	M36x2	54	38	41	32	22	M.REP 25-10 DKO S
0110740860	S	400	25	12	M36x2	54	38	41	32	24	M.REP 25-12 DKO S
0110740870	S	400	25	14	M36x2	57	39,5	46	32	27	M.REP 25-14 DKO S
0110740880	S	400	25	16	M36x2	57	39	41	32	30	M.REP 25-16 DKO S
0110740890	S	400	25	20	M36x2	60,5	39	41	32	36	M.REP 25-20 DKO S
0110740900	S	400	30	12	M42x2	59,5	43,5	50	41	24	M.REP 30-12 DKO S
0110740910	S	400	30	14	M42x2	63	45	50	41	27	M.REP 30-14 DKO S
0110740920	S	400	30	16	M42x2	62,5	44,5	50	41	30	M.REP 30-16 DKO S
0110740930	S	400	30	20	M42x2	66	44,5	50	41	36	M.REP 30-20 DKO S
0110740940	S	400	30	25	M42x2	69	45	50	41	46	M.REP 30-25 DKO S
0110740950	S	315	38	16	M52x2	66	48	60	50	30	M.REP 38-16 DKO S
0110740960	S	315	38	20	M52x2	69,5	48	60	50	36	M.REP 38-20 DKO S
0110740970	S	315	38	25	M52x2	72,5	48,5	60	50	46	M.REP 38-25 DKO S
0110740980	S	315	38	30	M52x2	75,5	49	60	50	50	M.REP 38-30 DKO S



M.REL DKO

91

BAR

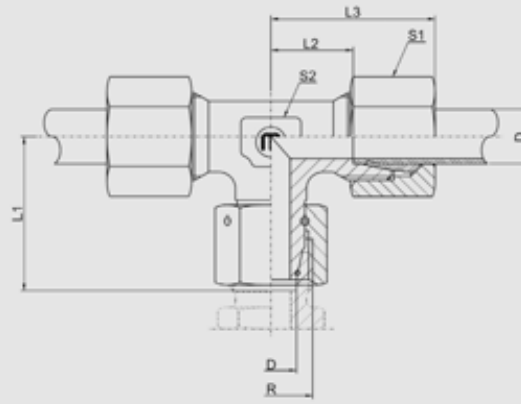


COD.	SERIE	PN BAR	D	R	L1	L2	L3	S1	S2	REF.
0110750000	L	315	6	M12x1,5	26	12	27	14	12	M.REL 6 DKO L
0110750050	L	315	8	M14x1,5	27,5	14	29	17	14	M.REL 8 DKO L
0110750100	L	315	10	M16x1,5	29	15	30	19	17	M.REL 10 DKO L
0110750150	L	315	12	M18x1,5	29,5	17	32	22	19	M.REL 12 DKO L
0110750200	L	315	15	M22x1,5	32,5	21	36	27	19	M.REL 15 DKO L
0110750250	L	315	18	M26x1,5	35,5	23,5	40	32	24	M.REL 18 DKO L
0110750300	L	160	22	M30x2	38,5	27,5	44	36	27	M.REL 22 DKO L
0110750350	L	160	28	M36x2	41,5	30,5	47	41	36	M.REL 28 DKO L
0110750400	L	160	35	M45x2	51	34,5	56	50	41	M.REL 35 DKO L
0110750450	L	160	42	M52x2	56	40	63	60	50	M.REL 42 DKO L
0110750500	S	630	6	M14x1,5	27	16	31	17	14	M.REL 6 DKO S
0110750550	S	630	8	M16x1,5	27,5	17	32	19	17	M.REL 8 DKO S
0110750600	S	630	10	M18x1,5	30	17,5	34	22	19	M.REL 10 DKO S
0110750650	S	630	12	M20x1,5	31	21,5	38	24	19	M.REL 12 DKO S
0110750700	S	630	14	M22x1,5	35	22	40	27	19	M.REL 14 DKO S
0110750750	S	400	16	M24x1,5	36,5	24,5	43	30	24	M.REL 16 DKO S
0110750800	S	400	20	M30x2	44,5	26,5	48	36	27	M.REL 20 DKO S
0110750850	S	400	25	M36x2	50	30	54	46	36	M.REL 25 DKO S
0110750900	S	400	30	M42x2	55	35,5	62	50	41	M.REL 30 DKO S
0110750950	S	315	38	M52x2	63	41	72	60	50	M.REL 38 DKO S

**CODO
ORIENTABLE DKO;
ISO 8434-4**

**SWIVEL NUT
ELBOW;
ISO 8434-4**

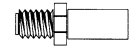
RACORES FITTINGS



92

M.RET DKO

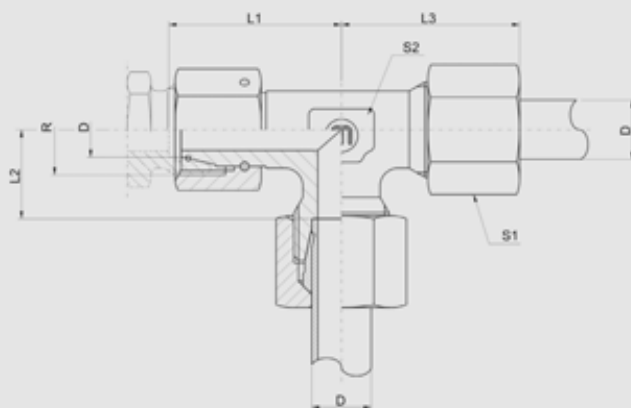
BAR



**RACOR EN "T"
ORIENTABLE DKO;
ISO 8434-4**

*SWIVEL NUT
BRANCH TEE; ISO
8434-4*

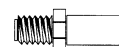
COD.	SERIE	PN BAR	D	R	L1	L2	L3	S1	S2	REF.
0110760000	L	315	6	M12x1,5	26	12	27	14	12	M.RET 6 DKO L
0110760050	L	315	8	M14x1,5	27,5	14	29	17	14	M.RET 8 DKO L
0110760100	L	315	10	M16x1,5	29	15	30	19	17	M.RET 10 DKO L
0110760150	L	315	12	M18x1,5	29,5	17	32	22	19	M.RET 12 DKO L
0110760200	L	315	15	M22x1,5	32,5	21	36	27	19	M.RET 15 DKO L
0110760250	L	315	18	M26x1,5	35,5	23,5	40	32	24	M.RET 18 DKO L
0110760300	L	160	22	M30x2	38,5	27,5	44	36	27	M.RET 22 DKO L
0110760350	L	160	28	M36x2	41,5	30,5	47	41	36	M.RET 28 DKO L
0110760400	L	160	35	M45x2	51	34,5	56	50	41	M.RET 35 DKO L
0110760450	L	160	42	M52x2	56	40	63	60	50	M.RET 42 DKO L
0110760500	S	630	6	M14x1,5	27	16	31	17	14	M.RET 6 DKO S
0110760550	S	630	8	M16x1,5	27,5	17	32	19	17	M.RET 8 DKO S
0110760600	S	630	10	M18x1,5	30	17,5	34	22	19	M.RET 10 DKO S
0110760650	S	630	12	M20x1,5	31	21,5	38	24	19	M.RET 12 DKO S
0110760700	S	630	14	M22x1,5	35	22	40	27	19	M.RET 14 DKO S
0110760750	S	400	16	M24x1,5	36,5	24,5	43	30	24	M.RET 16 DKO S
0110760800	S	400	20	M30x2	44,5	26,5	48	36	27	M.RET 20 DKO S
0110760850	S	400	25	M36x2	50	30	54	46	36	M.RET 25 DKO S
0110760900	S	400	30	M42x2	55	35,5	62	50	41	M.RET 30 DKO S
0110760950	S	315	38	M52x2	63	41	72	60	50	M.RET 38 DKO S



M.RETI DKO

93

BAR

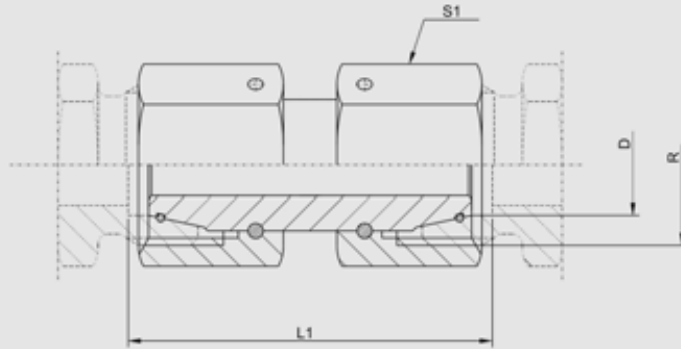


COD.	SERIE	PN BAR	D	R	L1	L2	L3	S1	S2	REF.
0110770000	L	315	6	M12x1,5	26	12	27	14	12	M.RETI 6 DKO L
0110770050	L	315	8	M14x1,5	27,5	14	29	17	14	M.RETI 8 DKO L
0110770100	L	315	10	M16x1,5	29	15	30	19	17	M.RETI 10 DKO L
0110770150	L	315	12	M18x1,5	29,5	17	32	22	19	M.RETI 12 DKO L
0110770200	L	315	15	M22x1,5	32,5	21	36	27	19	M.RETI 15 DKO L
0110770250	L	315	18	M26x1,5	35,5	23,5	40	32	24	M.RETI 18 DKO L
0110770300	L	160	22	M30x2	38,5	27,5	44	36	27	M.RETI 22 DKO L
0110770350	L	160	28	M36x2	41,5	30,5	47	41	36	M.RETI 28 DKO L
0110770400	L	160	35	M45x2	51	34,5	56	50	41	M.RETI 35 DKO L
0110770450	L	160	42	M52x2	56	40	63	60	50	M.RETI 42 DKO L
0110770500	S	630	6	M14x1,5	27	16	31	17	14	M.RETI 6 DKO S
0110770550	S	630	8	M16x1,5	27,5	17	32	19	17	M.RETI 8 DKO S
0110770600	S	630	10	M18x1,5	30	17,5	34	22	19	M.RETI 10 DKO S
0110770650	S	630	12	M20x1,5	31	21,5	38	24	19	M.RETI 12 DKO S
0110770700	S	630	14	M22x1,5	35	22	40	27	19	M.RETI 14 DKO S
0110770750	S	400	16	M24x1,5	36,5	24,5	43	30	24	M.RETI 16 DKO S
0110770800	S	400	20	M30x2	44,5	26,5	48	36	27	M.RETI 20 DKO S
0110770850	S	400	25	M36x2	50	30	54	46	36	M.RETI 25 DKO S
0110770900	S	400	30	M42x2	55	35,5	62	50	41	M.RETI 30 DKO S
0110770950	S	315	38	M52x2	63	41	72	60	50	M.RETI 38 DKO S

RACOR EN "L"
ORIENTABLE DKO;
ISO 8434-4

SWIVEL NUT RUN
TEE; ISO 8434-4

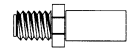
RACORES FITTINGS



94

M.RID DKO

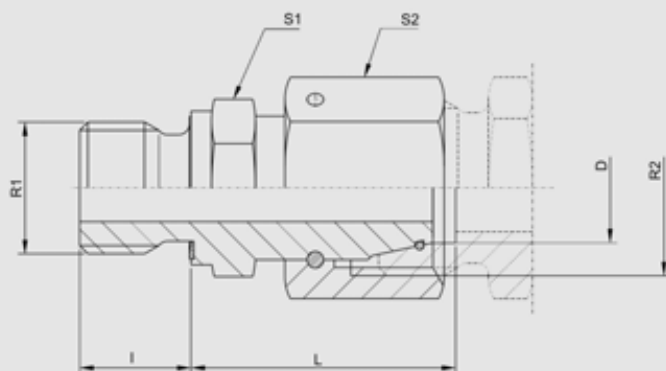
BAR



UNIÓN RECTA DKO;
ISO 8434-4

SWIVEL UNION; ISO
8434-4

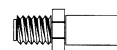
COD.	SERIE	PN BAR	D	R	L1	S-1	REF.
0110900000	L	315	6	M12x1,5	39	14	M.RID 6 DKO L
0110900050	L	315	8	M14x1,5	39,5	17	M.RID 8 DKO L
0110900100	L	315	10	M16x1,5	39,5	19	M.RID 10 DKO L
0110900150	L	315	12	M18x1,5	39,5	22	M.RID 12 DKO L
0110900200	L	315	15	M22x1,5	42,5	27	M.RID 15 DKO L
0110900250	L	315	18	M26x1,5	45	32	M.RID 18 DKO L
0110900300	L	160	22	M30x2	49,5	36	M.RID 22 DKO L
0110900350	L	160	28	M36x2	51,5	41	M.RID 28 DKO L
0110900400	L	160	35	M45x2	61	50	M.RID 35 DKO L
0110900450	L	160	42	M52x2	62,5	60	M.RID 42 DKO L
0110900500	S	630	6	M14x1,5	40,5	17	M.RID 6 DKO S
0110900550	S	630	8	M16x1,5	40,5	19	M.RID 8 DKO S
0110900600	S	630	10	M18x1,5	43,5	22	M.RID 10 DKO S
0110900650	S	630	12	M20x1,5	44	24	M.RID 12 DKO S
0110900700	S	630	14	M22x1,5	48,5	27	M.RID 14 DKO S
0110900750	S	400	16	M24x1,5	49	30	M.RID 16 DKO S
0110900800	S	400	20	M30x2	60,5	36	M.RID 20 DKO S
0110900850	S	400	25	M36x2	67,5	46	M.RID 25 DKO S
0110900900	S	400	30	M42x2	72,5	50	M.RID 30 DKO S
0110900950	S	315	38	M52x2	83	60	M.RID 38 DKO S



M.ELM DKO

95

BAR

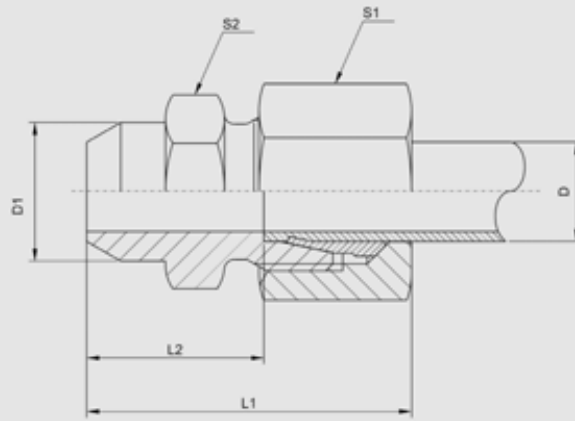
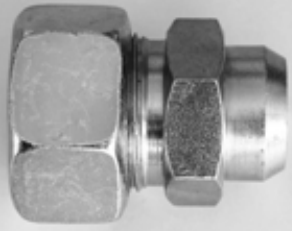


COD.	SERIE	PN BAR	D	R1	R2	L	I	S1	S2	REF.
0110800000	L	315	6	1/8" BSP	M12x1,5	24,5	8	14	14	M.ELM 6-1/8" DKO L
0110800050	L	315	8	1/4" BSP	M14x1,5	29,5	12	19	17	M.ELM 8-1/4" DKO L
0110800100	L	315	10	1/4" BSP	M16x1,5	27,5	12	19	19	M.ELM 10-1/4" DKO L
0110800150	L	315	12	3/8" BSP	M18x1,5	34	12	22	22	M.ELM 12-3/8" DKO L
0110800200	L	315	15	1/2" BSP	M22x1,5	32	14	27	27	M.ELM 15-1/2" DKO L
0110800250	L	315	18	1/2" BSP	M26x1,5	31,5	14	27	32	M.ELM 18-1/2" DKO L
0110800300	L	160	22	3/4" BSP	M30x2	32,5	16	32	36	M.ELM 22-3/4" DKO L
0110800350	L	160	28	1" BSP	M36x2	35	18	41	41	M.ELM 28-1" DKO L
0110800400	L	160	35	1 1/4" BSP	M45x2	42,5	20	50	50	M-ELM 35-1 1/4" DKO L
0110800450	L	160	42	1 1/2" BSP	M52x2	46,5	22	55	60	M.ELM 42-1 1/2" DKO L
0110800500	S	630	6	1/4" BSP	M14x1,5	27	12	19	17	M.ELM 6-1/4" DKO S
0110800550	S	630	8	1/4" BSP	M16x1,5	29,5	12	19	19	M.ELM 8-1/4" DKO S
0110800600	S	630	10	3/8" BSP	M18x1,5	32	12	22	22	M.ELM 10-3/8" DKO S
0110800650	S	630	12	3/8" BSP	M20x1,5	34	12	22	24	M.ELM 12-3/8" DKO S
0110800700	S	630	14	1/2" BSP	M22x1,5	36,5	14	27	27	M.ELM 14-1/2" DKO S
0110800750	S	400	16	1/2" BSP	M24x1,5	37	14	27	30	M.ELM 16-1/2" DKO S
0110800800	S	400	20	3/4" BSP	M30x2	43	16	32	36	M.ELM 20-3/4" DKO S
0110800850	S	400	25	1" BSP	M36x2	48	18	41	46	M.ELM 25-1" DKO S
0110800900	S	400	30	1 1/4" BSP	M42x2	51	20	50	50	M.ELM 30-1 1/4" DKO S
0110800950	S	315	38	1 1/2" BSP	M52x2	60	22	55	60	M.ELM 38-1 1/2" DKO S

UNIÓN SIMPLE
ORIENTABLE DKO

SWIVEL CONNEC-
TOR

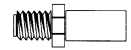
RACORES FITTINGS



96

M.REDS

BAR

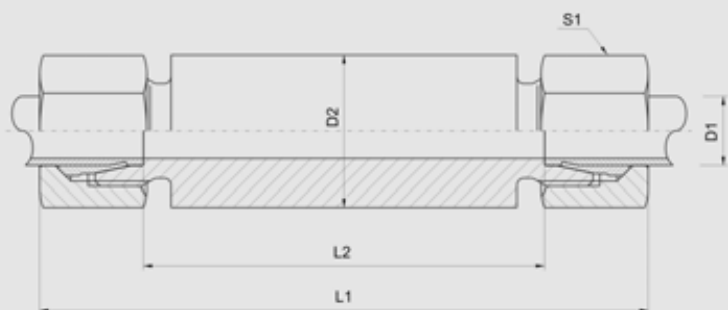


**UNIÓN SIMPLE
PARA SOLDAR; DIN
3909**

*WELDING BOSSES;
DIN 3909*

COD.	SERIE	PN BAR	D	D1	S2	S1	L1	L2	REF.
0110690000	L	315	6	10	12	14	29	14	M.REDS 6 L
0110690050	L	315	8	12	14	17	31	16	M.REDS 8 L
0110690100	L	315	10	14	17	19	33	18	M.REDS 10 L
0110690150	L	315	12	16	19	22	33	18	M.REDS 12 L
0110690200	L	315	15	19	22	27	37	22	M.REDS 15 L
0110690250	L	315	18	22	27	32	40	23,5	M.REDS 18 L
0110690300	L	160	22	27	32	36	45	28,5	M.REDS 22 L
0110690350	L	160	28	32	41	41	47	30,5	M.REDS 28 L
0110690400	L	160	35	40	46	50	54	32,5	M.REDS 35 L
0110690450	L	160	42	46	55	60	58	35	M.REDS 42 L
0110690500	S	630	6	11	14	17	34	19	M.REDS 6 S
0110690550	S	630	8	13	17	19	36	21	M.REDS 8 S
0110690600	S	630	10	15	19	22	39	22,5	M.REDS 10 S
0110690650	S	630	12	17	22	24	41	24,5	M.REDS 12 S
0110690700	S	630	14	19	24	27	45	27	M.REDS 14 S
0110690750	S	400	16	21	27	30	45	26,5	M.REDS 16 S
0110690800	S	400	20	26	32	36	51	29,5	M.REDS 20 S
0110690850	S	400	25	31	41	46	56	32	M.REDS 25 S
0110690900	S	400	30	36	46	50	62	35,5	M.REDS 30 S
0110690950	S	315	38	44	55	60	69	38	M.REDS 38 S

RACORES FITTINGS



M.PTS

97

BAR

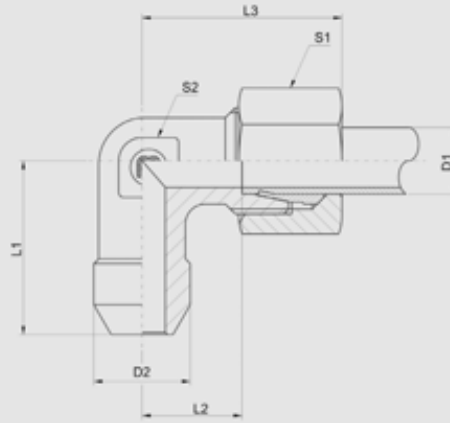


COD.	SERIE	PN BAR	D1	D2	S1	L1	L2	REF.
0110700000	L	315	6	18	14	85	56	M.PTS 6 L
0110700050	L	315	8	20	17	85	56	M.PTS 8 L
0110700100	L	315	10	22	19	87	58	M.PTS 10 L
0110700150	L	315	12	25	22	87	58	M.PTS 12 L
0110700200	L	315	15	28	27	100	70	M.PTS 15 L
0110700250	L	315	18	32	32	101	69	M.PTS 18 L
0110700300	L	160	22	36	36	105	73	M.PTS 22 L
0110700350	L	160	28	40	41	106	73	M.PTS 28 L
0110700400	L	160	35	50	50	114	71	M.PTS 35 L
0110700450	L	160	42	60	60	115	70	M.PTS 42 L
0110700500	S	630	6	20	17	89	60	M.PTS 6 S
0110700550	S	630	8	22	19	89	60	M.PTS 8 S
0110700600	S	630	10	25	22	91	59	M.PTS 10 S
0110700650	S	630	12	28	24	91	59	M.PTS 12 S
0110700700	S	630	14	30	27	107	72	M.PTS 14 S
0110700750	S	400	16	35	30	107	71	M.PTS 16 S
0110700800	S	400	20	38	36	114	71	M.PTS 20 S
0110700850	S	400	25	45	46	120	72	M.PTS 25 S
0110700900	S	400	30	50	50	126	73	M.PTS 30 S
0110700950	S	315	38	60	60	133	72	M.PTS 38 S

**UNIÓN DOBLE
PASATABIQUE PARA
SOLDAR; DIN 3912**

*WELDING BULKHEAD
COUPLING; DIN
3912*

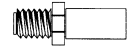
RACORES FITTINGS



98

M.RELS

BAR



CODO
SOLDABLE

WELDING
ELBOW

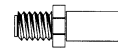
COD.	SERIE	PN BAR	D1	D2	S1	S2	L1	L2	L3	REF.
0110980000	L	315	6	10	14	12	19	12	27	M.RELS 6 L
0110980050	L	315	8	12	17	12	23	14	29	M.RELS 8 L
0110980100	L	315	10	14	19	14	24	15	30	M.RELS 10 L
0110980150	L	315	12	16	22	17	25	17	32	M.RELS 12 L
0110980200	L	315	15	19	27	19	30	21	36	M.RELS 15 L
0110980250	L	315	18	22	32	24	33	23,5	40	M.RELS 18 L
0110980300	L	160	22	27	36	27	37	27,5	44	M.RELS 22 L
0110980350	L	160	28	32	41	36	42	30,5	47	M.RELS 28 L
0110980400	L	160	35	40	50	41	49	34,5	56	M.RELS 35 L
0110980450	L	160	42	46	60	50	57	40	63	M.RELS 42 L
0110980500	S	630	6	11	17	12	23	16	31	M.RELS 6 S
0110980550	S	630	8	13	19	14	24	17	32	M.RELS 8 S
0110980600	S	630	10	15	22	17	25	17,5	34	M.RELS 10 S
0110980650	S	630	12	17	24	17	29	21,5	38	M.RELS 12 S
0110980700	S	630	14	19	27	19	30	22	40	M.RELS 14 S
0110980750	S	400	16	21	30	24	33	24,5	43	M.RELS 16 S
0110980800	S	400	20	26	36	27	37	26,5	48	M.RELS 20 S
0110980850	S	400	25	31	46	36	42	30	54	M.RELS 25 S
0110980900	S	400	30	36	50	41	49	35,5	62	M.RELS 30 S
0110980950	S	315	38	44	60	50	57	41	72	M.RELS 38 S



M.ELS

99

BAR

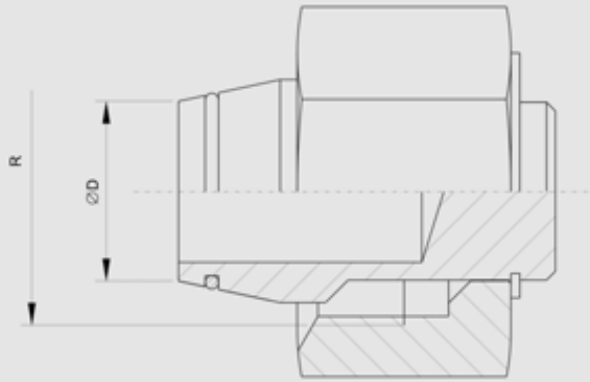


COD.	D	PN BAR	ESPEJOR	REF.
0110850060	8	400	1.5	M.ELS 8x1.5
0110850100	10	400	1.5	M.ELS 10x1.5
0110850110	10	400	2	M.ELS 10x2
0110850160	12	400	2	M.ELS 12x2
0110850200	14	400	2	M.ELS 14x2
0110850250	16	315	2	M.ELS 16x2
0110850260	16	400	2.5	M.ELS 16x2.5
0110850310	20	315	2.5	M.ELS 20x2.5
0110850360	25	400	3	M.ELS 25x3
0110850410	30	315	4	M.ELS 30x4
0110850460	38	315	5	M.ELS 38x5

CONO PARA SOLDAR ESTANQUEIDAD POR JUNTA TÓRICA

WELDING NIPPLE WITH O-RING SEAL

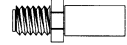
RACORES FITTINGS



100

M.TJ

BAR

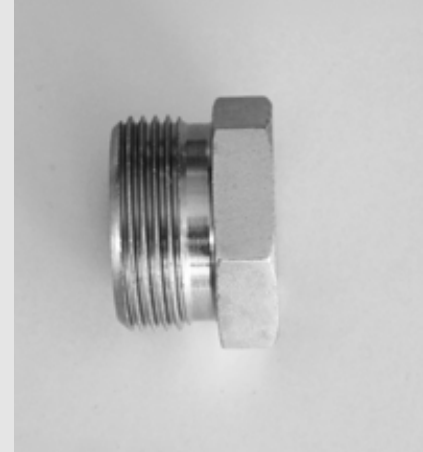
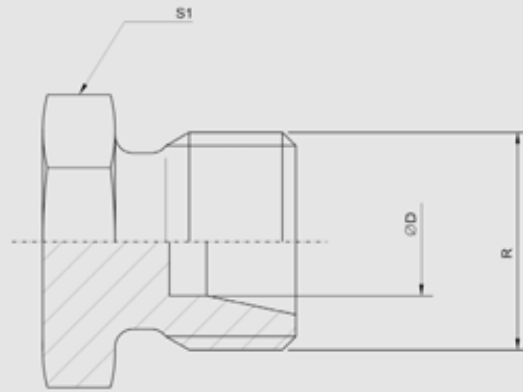


OBTURADOR

*BLANKING PLUG
WITH NUT FOR CONE*

COD.	SERIE	PN BAR	D	R	REF.
0670100000	L	315	6	M 12x1.5	M.TJ 6 L
0670100050	L	315	8	M 14x1.5	M.TJ 8 L
0670100100	L	315	10	M 16x1.5	M.TJ 10 L
0670100150	L	315	12	M 18x1.5	M.TJ 12 L
0670100200	L	315	15	M 22x1.5	M.TJ 15 L
0670100250	L	315	18	M 26x1.5	M.TJ 18 L
0670100300	L	160	22	M 30x2	M.TJ 22 L
0670100350	L	160	28	M 36x2	M.TJ 28 L
0670100400	L	160	35	M 45x2	M.TJ 35 L
0670100450	L	160	42	M 52x2	M.TJ 42 L
0670100500	S	630	6	M 14x1.5	M.TJ 6 S
0670100550	S	630	8	M 16x1.5	M.TJ 8 S
0670100600	S	630	10	M 18x1.5	M.TJ 10 S
0670100650	S	630	12	M 20x1.5	M.TJ 12 S
0670100700	S	630	14	M 22x1.5	M.TJ 14 S
0670100750	S	400	16	M 24x1.5	M.TJ 16 S
0670100800	S	400	20	M 30x2	M.TJ 20 S
0670100850	S	400	25	M 36x2	M.TJ 25 S
0670100900	S	400	30	M 42x2	M.TJ 30 S
0670100950	S	315	38	M 52x2	M.TJ 38 S

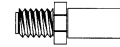
RACORES FITTINGS



M.TM

101

BAR

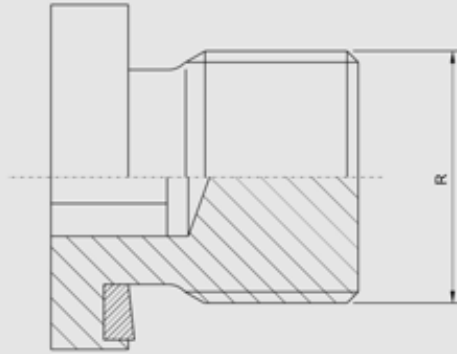


COD.	SERIE	PN BAR	D	R	S1	REF.
0670110000	L	315	6	M 12x1.5	12	M.TM 6 L
0670110050	L	315	8	M 14x1.5	14	M.TM 8 L
0670110100	L	315	10	M 16x1.5	17	M.TM 10 L
0670110150	L	315	12	M 18x1.5	19	M.TM12 L
0670110200	L	315	15	M 22x1.5	24	M.TM 15 L
0670110250	L	315	18	M 26x1.5	27	M.TM 18 L
0670110300	L	160	22	M 30x2	32	M.TM22 L
0670110350	L	160	28	M 36x2	41	M.TM 28 L
0670110400	L	160	35	M 45x2	46	M.TM 35 L
0670110450	L	160	42	M 52x2	55	M.TM 42 L
0670110500	S	630	6	M 14x1.5	14	M.TM 6 S
0670110550	S	630	8	M 16x1.5	17	M.TM 8 S
0670110600	S	630	10	M 18x1.5	19	M.TM 10 S
0670110650	S	630	12	M 20x1.5	22	M.TM 12 S
0670110700	S	630	14	M 22x1.5	24	M.TM14 S
0670110750	S	400	16	M 24x1.5	27	M.TM 16 S
0670110800	S	400	20	M 30x2	32	M.TM 20 S
0670110850	S	400	25	M 36x2	41	M.TM 25 S
0670110900	S	400	30	M 42x2	46	M.TM 30 S
0670110950	S	315	38	M 52x2	55	M.TM 38 S

**TAPÓN OBTURACIÓN
TUBOS**

*BLANKING PLUG
FOR TUBE ENDS*

RACORES FITTINGS



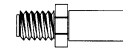
102

M.TA

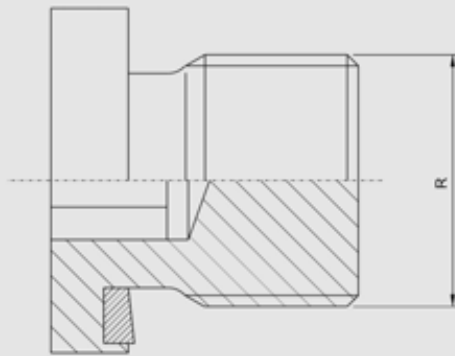
**TAPÓN ROSCADO
CON HEXÁGONO INTE-
RIOR Y JUNTA (BSP)**

*BLANKING PLUG
FOR PORTS (BSP)*

BAR



COD.	PN BAR	R	REF.
0670050000	400	1/8" BSP	M.TA 1/8"
0670050100	400	1/4" BSP	M.TA 1/4"
0670050200	400	3/8" BSP	M.TA 3/8"
0670050300	400	1/2" BSP	M.TA 1/2"
0670050500	400	3/4" BSP	M.TA 3/4"
0670050600	250	1" BSP	M.TA 1"
0670050700	250	1"1/4 BSP	M.TA 1"1/4
0670050800	250	1"1/2 BSP	M.TA 1"1/2

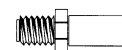


M.TAM

**TAPÓN ROSCADO
CON HEXÁGONO
INTERIOR Y JUNTA
(MÉTRICO)**

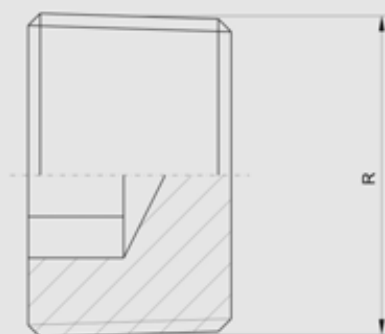
*BLANKING PLUG
FOR PORTS
(METRIC)*

BAR



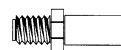
COD.	PN BAR	R	REF.
0670060120	400	M 10x1	M.TA M 10x1
0670060180	400	M 12x1.5	M.TA M 12x1.5
0670060210	400	M 14x1.5	M.TA M 14x1.5
0670060240	400	M 16x1.5	M.TA M 16x1.5
0670060270	400	M 18x1.5	M.TA M 18x1.5
0670060300	400	M 20x1.5	M.TA M 20x1.5
0670060330	400	M 22x1.5	M.TA M 22x1.5
0670060360	400	M 24x1.5	M.TA M 24x1.5
0670060390	400	M 26x1.5	M.TA M 26x1.5
0670060420	400	M 27x2	M.TA M 27x2
0670060480	250	M 33x2	M.TA M 33x2
0670060540	250	M 42x2	M.TA M 42x2
0670060570	250	M 48x2	M.TA M 48x2

RACORES FITTINGS



M.TXA (Acero/Steel)

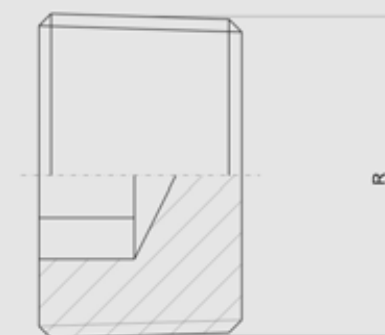
103



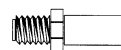
COD.	R	REF.
0670010000	1/8" BSPT	M.TXA 1/8"
0670010100	1/4" BSPT	M.TXA 1/4"
0670010200	3/8" BSPT	M.TXA 3/8"
0670010300	1/2" BSPT	M.TXA 1/2"
0670010500	3/4" BSPT	M.TXA 3/4"
0670010600	1" BSPT	M.TXA 1"
0670010700	1"1/4 BSPT	M.TXA 1"1/4
0670010800	1"1/2 BSPT	M.TXA 1"1/2

**TAPÓN CÓNICO
HEXAGONAL INTE-
RIOR (BSPT)**

*HEXAGON SOCKET
PLUG (BSPT)*



M.TXL (Latón/Brass)

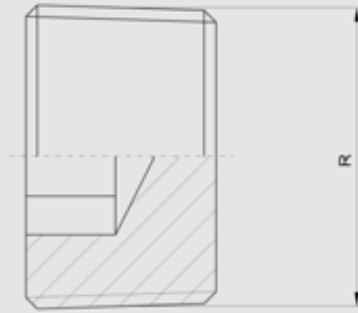


COD.	R	REF.
0670010001	1/8" BSPT	M.TXL 1/8"
0670010101	1/4" BSPT	M.TXL 1/4"
0670010201	3/8" BSPT	M.TXL 3/8"
0670010301	1/2" BSPT	M.TXL 1/2"
0670010501	3/4" BSPT	M.TXL 3/4"
0670010601	1" BSPT	M.TXL 1"
0670010701	1"1/4 BSPT	M.TXL 1"1/4
0670010801	1"1/2 BSPT	M.TXL 1"1/2

**TAPÓN CÓNICO
HEXAGONAL
INTERIOR (BSPT)**

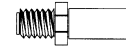
*HEXAGON SOCKET
PLUG (BSPT)*

RACORES FITTINGS



104

M.TXN (Acero/Steel)

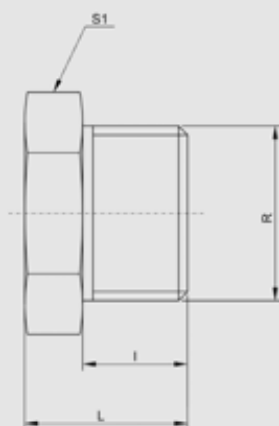


**TAPÓN CÓNICO
HEXAGONAL
INTERIOR (NPT)**

*HEXAGON SOCKET
PLUG (NPT)*

COD.	R	REF.
0670010500	1/16" NPT	M.TXN 1/16" NPT
0670010550	1/8" NPT	M.TXN 1/8" NPT
0670010600	1/4" NPT	M.TXN 1/4" NPT
0670010650	3/8" NPT	M.TXN 3/8" NPT
0670010700	1/2" NPT	M.TXN 1/2" NPT
0670010750	3/4" NPT	M.TXN 3/4" NPT
0670010800	1" NPT	M.TXN 1" NPT

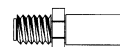
RACORES FITTINGS



M.TE

105

BAR

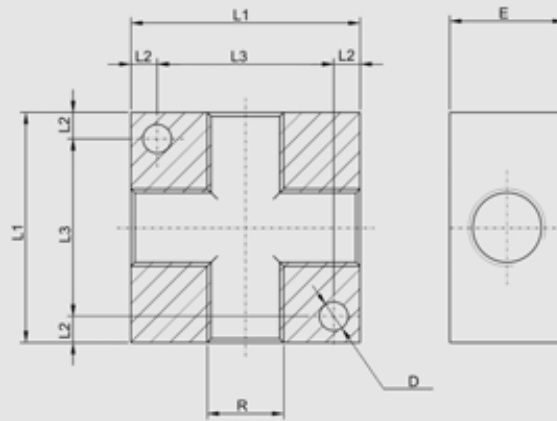
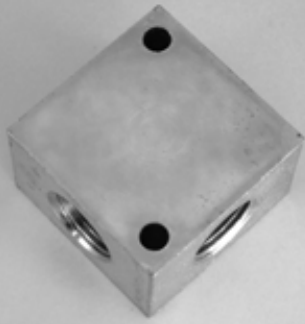


COD.	SERIE	PN BAR	R	I	L	S1	REF.
0120060000	L	250	1/8" BSP	8	12	14	M.TE 1/8"
0120060100	L	250	1/4" BSP	12	16,5	17	M.TE 1/4"
0120060200	L	250	3/8" BSP	12	17	21	M.TE 3/8"
0120060300	L	250	1/2" BSP	14	20	27	M.TE 1/2"
0120060500	L	250	3/4" BSP	16	22	32	M.TE 3/4"
0120060600	L	250	1" BSP	18	25	41	M.TE 1"
0120060700	L	250	1"1/4 BSP	16	25	50	M.TE 1"1/4

TAPÓN

STOPPER

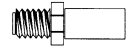
RACORES FITTINGS



106

M.RX

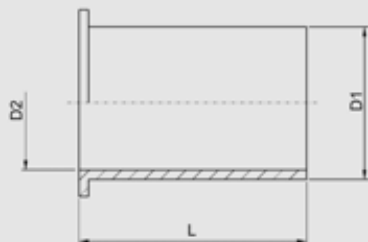
BAR



**DISTRIBUIDOR 4
VÍAS**

*DISTRIBUTOR 4
ROUTES*

COD.	SERIE	PN BAR	R	L1	L2	L3	D	E	REF.
0120150000	L	250	1/8" BSP	31	4	23	4	16	M.RX 1/8"
0120150100	L	250	1/4" BSP	40	6,5	27	5	20	M.RX 1/4"
0120150200	L	250	3/8" BSP	50	6	38	6	25	M.RX 3/8"
0120150300	L	250	1/2" BSP	50	6	38	6	25	M.RX 1/2"
0120150400	L	250	3/4" BSP	55	7	41	8,5	38	M.RX 3/4"
0120150500	L	250	1" BSP	80	12	56	8,5	50	M.RX 1"



M.CIP (Acero/Steel)

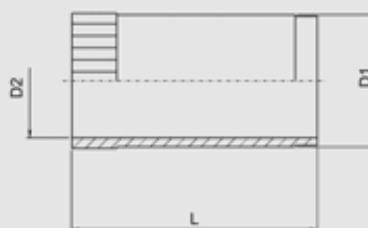
107



COD.	D1	D2	L	REF.
0410500000	2	1.5	7	M.CIP 2-4
0410500050	4	3.25	8	M.CIP 4-6
0410500060	5	4	10	M.CIP 5-8
0410500100	6	5	10	M.CIP 6-8
0410500110	7	6	12	M.CIP 7-10
0410500150	8	7	12	M.CIP 8-10
0410500160	9	8	13	M.CIP 9-12
0410500200	10	9	13	M.CIP 10-12
0410500250	12	11	14	M.CIP 12-15
0410500300	13	12	14	M.CIP 13-15
0410500350	15	14	15	M.CIP 15-18
0410500400	16	15	15	M.CIP 16-18

CASQUILLO DE
REFUERZO

TIP OF REINFORCE-
MENT



M.CIL (Latón/Brass)

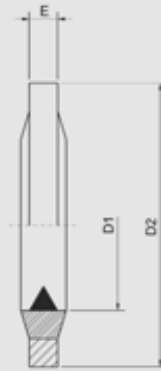


COD.	D1	D2	L	REF.
0410600000	3,8	2,6	15,5	M.CIL 6x1
0410600050	5,8	4,6	15,5	M.CIL 8x1
0410600100	7,8	6,6	16,5	M.CIL 10x1
0410600150	8,8	7,6	16,5	M.CIL 12x1
0410600200	9,8	8,6	16,5	M.CIL 12x1.5
0410600300	11,8	10,2	17,5	M.CIL 15x1.5
0410600400	14,8	13,2	17,5	M.CIL 18x1.5

CASQUILLO DE
REFUERZO

TUBE INSERT

RACORES FITTINGS

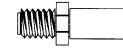


108

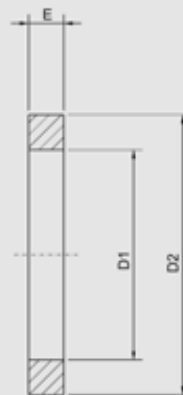
M.GFB (Acero/Steel)

JUNTA
METALOPLÁSTICA

SOFT SEAL RING



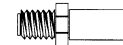
COD.	D1	D2	E	REF.
0280100000	10	15	1.5	M.GFB 1/8"
0280100100	14	18.6	1.8	M.GFB 1/4"
0280100200	17	23	1.8	M.GFB 3/8"
0280100300	21	28.6	1.8	M.GFB 1/2"
0280100500	27	35.5	1.8	M.GFB 3/4"
0280100600	33	42.5	1.8	M.GFB 1"
0280100700	42	53	3	M.GFB 1"1/4
0280100800	48	60	3	M.GFB 1"1/2
0280100900	60	73	3	M.GFB 2"



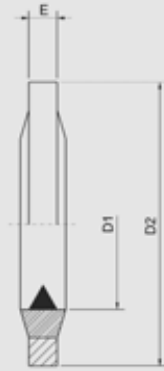
M.GFV (Cobre/Cooper)

JUNTA DE
ESTANQUEIDAD

COOPER SEAL

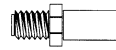


COD.	D1	D2	E	REF.
0280000000	10	14	1	M.GFV 1/8"
0280000100	14	18	1.5	M.GFV 1/4"
0280000200	17	21	1.5	M.GFV 3/8"
0280000300	21	26	1.5	M.GFV 1/2"
0280000500	27	32	2	M.GFV 3/4"
0280000600	33	39	2	M.GFV 1"
0280000700	42	49	2	M.GFV 1"1/4
0280000800	48	55	2	M.GFV 1"1/2
0280000900	60	67	2	M.GFV 2"



M.GFB (Acero/Steel)

109

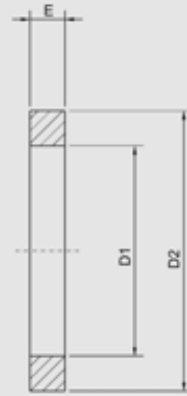


COD.	D1	D2	E	REF.
0280110090	8,7	13	1	M.GFB M-8,7x13x1
0280110120	10,7	18	1,5	M.GFB M-10,7x18x1,5
0280110180	12,7	18	1,5	M.GFB M-12,7x18x1,5
0280110210	14,7	22	1,5	M.GFB M-14,7x22x1,5
0280110240	16,7	24	1,5	M.GFB M-16,7x24x1,5
0280110270	18,7	26	1,5	M.GFB M-18,7x26x1,5

**JUNTA
METALOPLÁSTICA**

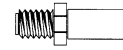
SOFT SEAL RING

RACORES FITTINGS



110

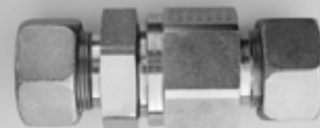
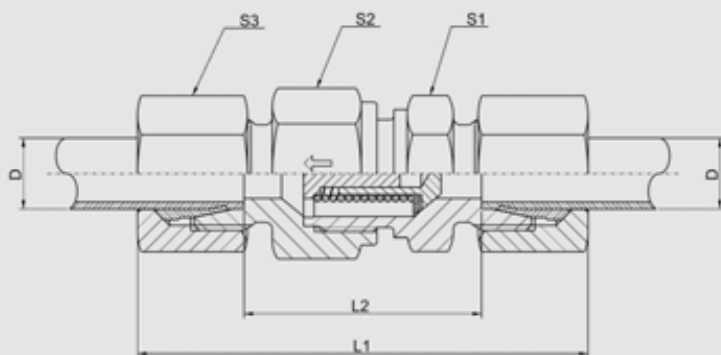
M.GFV (Cobre/Cooper)



**JUNTA DE
ESTANQUEIDAD**

COOPER SEAL

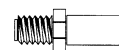
COD.	D1	D2	E	REF.
0280010060	8	12	1	M.GFV M-8x12x1
0280010120	10	16	1	M.GFV M-10x16x1
0280010180	12	16	1,5	M.GFV M-12x16x1,5
0280010210	14	18	1,5	M.GFV M-14x18x1,5
0280010250	16	20	1,5	M.GFV M-16x20x1,5
0280010270	18	22	1,5	M.GFV M-18x22x1,5
0280010300	20	24	1,5	M.GFV M-20x24x1,5
0280010330	22	27	1,5	M.GFV M-22x27x1,5
0280010360	24	30	2	M.GFV M-24x30x2
0280010420	27	32	2	M.GFV M-27x32x2
0280010450	30	36	2	M.GFV M-30x36x2
0280010480	33	39	2	M.GFV M-33x39x2



M.VA

111

BAR

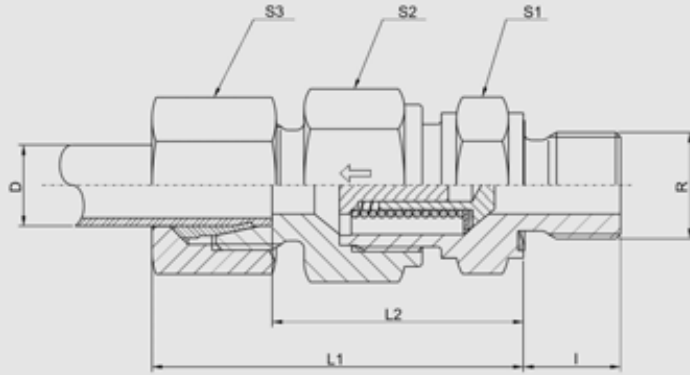


COD.	SERIE	PN BAR	D	L1	L2	S1	S2	S3	REF.
0111000000	L	250	6	58	29	17	17	14	M.VA 6 L
0111000050	L	250	8	59	30	19	19	17	M.VA 8 L
0111000100	L	250	10	69,5	40,5	22	24	19	M.VA 10 L
0111000150	L	250	12	72,5	43,5	27	30	22	M.VA 12 L
0111000200	L	250	15	77,5	47,5	27	32	27	M.VA 15 L
0111000250	L	160	18	83,5	51,5	36	36	32	M.VA 18 L
0111000300	L	160	22	93,5	61,5	41	46	36	M.VA 22 L
0111000350	L	100	28	102,5	69,5	50	55	41	M.VA 28 L
0111000400	L	100	35	117,5	74,5	60	60	50	M.VA 35 L
0111000450	L	100	42	119	74	65	70	60	M.VA 42 L
0111000500	S	400	6	63,5	34,5	19	19	17	M.VA 6 S
0111000550	S	400	8	63,5	34,5	19	19	19	M.VA 8 S
0111000600	S	400	10	72,5	40,5	22	24	22	M.VA 10 S
0111000650	S	400	12	74,5	42,5	24	27	24	M.VA 12 S
0111000700	S	315	14	82,5	47,5	27	32	27	M.VA 14 S
0111000750	S	315	16	86,5	50,5	32	36	30	M.VA 16 S
0111000800	S	250	20	97,5	54,5	41	46	36	M.VA 20 S
0111000850	S	250	25	106,5	58,5	46	50	46	M.VA 25 S
0111000900	S	250	30	122,5	69,5	60	60	50	M.VA 30 S
0111000950	S	250	38	136,5	75,5	65	70	60	M.VA 38 S

VÁLVULA ANTIRRE-
TORNO TUBO TUBO

NON RETURN
VALVE TUBE TUBE

RACORES FITTINGS



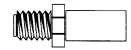
112

M.VART (BSP)

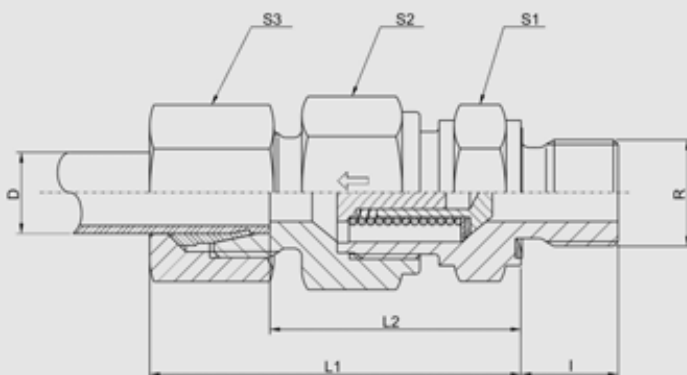
**VÁLVULA ANTIRRE-
TORNO ROSCA
TUBO (BSP)**

**NON RETURN
VALVE THREAD
TUBE (BSP)**

BAR



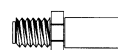
COD.	SERIE	PN BAR	D	R	I	L1	L2	S1	S2	S3	REF.
0111020000	L	250	6	1/8" BSP	8	42,5	28	17	17	14	M.VART 6-1/8" L
0111020050	L	250	8	1/4" BSP	12	44,5	30	19	19	17	M.VART 8-1/4" L
0111020100	L	250	10	1/4" BSP	12	53	38,5	22	24	19	M.VART 10-1/4" L
0111020150	L	250	12	3/8" BSP	12	57	42,5	27	30	22	M.VART 12-3/8" L
0111020200	L	250	15	1/2" BSP	14	60,5	45,5	27	32	27	M.VART 15-1/2" L
0111020250	L	160	18	1/2" BSP	14	66,5	50	36	36	32	M.VART 18-1/2" L
0111020300	L	160	22	3/4" BSP	16	71	55	41	46	36	M.VART 22-3/4" L
0111020350	L	100	28	1" BSP	18	79,5	63	50	55	41	M.VART 28-1" L
0111020400	L	100	35	1"1/4 BSP	20	90,5	69	60	60	50	M.VART 35-1"1/4 L
0111020450	L	100	42	1"1/2 BSP	22	91	68,5	65	70	60	M.VART 42-1"1/2 L
0111020500	S	400	6	1/4" BSP	12	46	31,5	19	19	17	M.VART 6-1/4" S
0111020550	S	400	8	1/4" BSP	12	46	31,5	19	19	19	M.VART 8-1/4" S
0111020600	S	400	10	3/8" BSP	12	54	38	22	24	22	M.VART 10-3/8" S
0111020650	S	400	12	3/8" BSP	12	57	41	24	27	24	M.VART 12-3/8" S
0111020700	S	315	14	1/2" BSP	14	62	44,5	27	32	27	M.VART 14-1/2" S
0111020750	S	315	16	1/2" BSP	14	66	48	32	36	30	M.VART 16-1/2" S
0111020800	S	250	20	3/4" BSP	16	73,5	52	41	46	36	M.VART 20-3/4" S
0111020850	S	250	25	1" BSP	18	78,5	54,5	46	50	46	M.VART 25-1" S
0111020900	S	250	30	1"1/4 BSP	20	90,5	64	60	60	50	M.VART 30-1"1/4 S
0111020950	S	250	38	1"1/2 BSP	22	100	69,5	65	70	60	M.VART 38-1"1/2 S



M.VART (Metric)

113

BAR

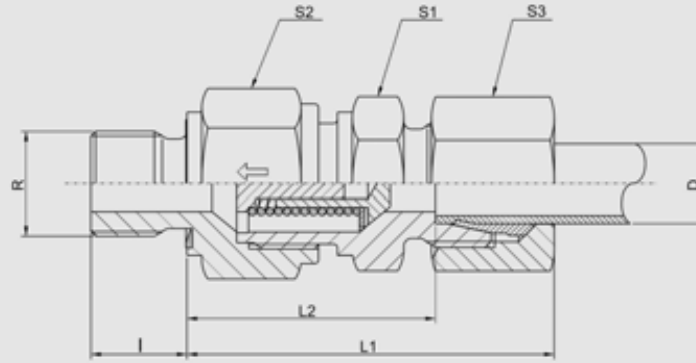


COD.	SERIE	PN BAR	D	R	I	L1	L2	S1	S2	S3	REF.
0111040000	L	250	6	M10x1	8	42,5	28	17	17	14	M.VART 6-M10x1 L
0111040050	L	250	8	M12x1,5	12	43,5	29	19	19	17	M.VART 8-M12x1,5 L
0111040100	L	250	10	M14x1,5	12	53	38,5	22	24	19	M.VART 10-M14x1,5 L
0111040150	L	250	12	M16x1,5	12	57	42,5	27	30	22	M.VART 12-M16x1,5 L
0111040200	L	250	15	M18x1,5	12	60,5	45,5	27	32	27	M.VART 15-M18x1,5 L
0111040250	L	160	18	M22x1,5	14	66	50	36	36	32	M.VART 18-M22x1,5 L
0111040300	L	160	22	M26x1,5	16	71	55	41	46	36	M.VART 22-M26x1,5 L
0111040350	L	100	28	M33x2	18	79,5	63	50	55	41	M.VART 28-M33x2 L
0111040400	L	100	35	M42x2	20	90,5	69	60	60	50	M.VART 35-M42x2 L
0111040450	L	100	42	M48x2	22	91	68,5	65	70	60	M.VART 42-M48x2 L
0111040500	S	400	6	M12x1,5	12	46	31,5	19	19	17	M.VART 6-M12x1,5 S
0111040550	S	400	8	M14x1,5	12	46	31,5	19	19	19	M.VART 8-M14x1,5 S
0111040600	S	400	10	M16x1,5	12	54	38	22	24	22	M.VART 10-M16x1,5 S
0111040650	S	400	12	M18x1,5	12	57	41	24	27	24	M.VART 12-M18x1,5 S
0111040700	S	315	14	M20x1,5	14	62	44,5	27	32	27	M.VART 14-M20x1,5 S
0111040750	S	315	16	M22x1,5	14	66	48	32	36	30	M.VART 16-M22x1,5 S
0111040800	S	250	20	M27x2	16	73,5	52	41	46	36	M.VART 20-M27x2 S
0111040850	S	250	25	M33x2	18	78,5	54,5	46	50	46	M.VART 25-M33x2 S
0111040900	S	250	30	M42x2	20	90,5	64	60	60	50	M.VART 30-M42x2 S
0111040950	S	250	38	M48x2	22	100	69,5	65	70	60	M.VART 38-M48x2 S

**VÁLVULA ANTIRRE-
TORNO ROSCA
TUBO (MÉTRICO)**

**NON RETURN
VALVE THREAD
TUBE (METRIC)**

RACORES FITTINGS



114

M.VATR (BSP)

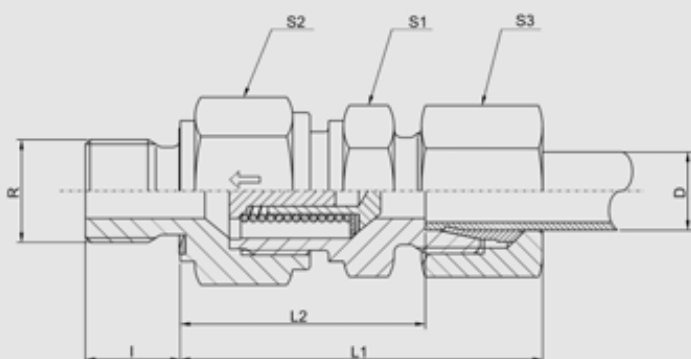
BAR



**VÁLVULA ANTIRRE-
TORNO TUBO
ROSCA (BSP)**

**NON RETURN
VALVE TUBE THRE-
AD (BSP)**

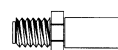
COD.	SERIE	PN BAR	D	R	I	L1	L2	S1	S2	S3	REF.
0111060000	L	250	6	1/8" BSP	8	41	26,5	17	17	14	M.VATR 6-1/8" L
0111060050	L	250	8	1/4" BSP	12	43	28,5	19	19	17	M.VATR 8-1/4" L
0111060100	L	250	10	1/4" BSP	12	53	38,5	22	24	19	M.VATR 10-1/4" L
0111060150	L	250	12	3/8" BSP	12	55	40,5	27	30	22	M.VATR 12-3/8" L
0111060200	L	250	15	1/2" BSP	14	57,5	42,5	30	32	27	M.VATR 15-1/2" L
0111060250	L	160	18	1/2" BSP	14	64	48	36	36	32	M.VATR 18-1/2" L
0111060300	L	160	22	3/4" BSP	16	72	56	41	46	36	M.VATR 22-3/4" L
0111060350	L	100	28	1" BSP	18	80,5	64,5	50	55	41	M.VATR 28-1" L
0111060400	L	100	35	1"1/4 BSP	20	91,5	70	60	60	50	M.VATR 35-1"1/4 L
0111060450	L	100	42	1"1/2 BSP	22	93	70,5	65	70	60	M.VATR 42-1"1/2 L
0111060500	S	400	6	1/4" BSP	12	46	31,5	19	19	17	M.VATR 6-1/4" S
0111060550	S	400	8	1/4" BSP	12	46	31,5	19	19	19	M.VATR 8-1/4" S
0111060600	S	400	10	3/8" BSP	12	54	38	22	24	22	M.VATR 10-3/8" S
0111060650	S	400	12	3/8" BSP	12	57	41	24	27	24	M.VATR 12-3/8" S
0111060700	S	315	14	1/2" BSP	14	61	43,5	27	32	27	M.VATR 14-1/2" S
0111060750	S	315	16	1/2" BSP	14	64	46	32	36	30	M.VATR 16-1/2" S
0111060800	S	250	20	3/4" BSP	16	71,5	50	41	46	36	M.VATR 20-3/4" S
0111060850	S	250	25	1" BSP	18	78,5	54,5	46	50	46	M.VATR 25-1" S
0111060900	S	250	30	1"1/4 BSP	20	90,5	64	60	60	50	M.VATR 30-1"1/4 S
0111060950	S	250	38	1"1/2 BSP	22	102	71,5	65	70	60	M.VATR 38-1"1/2 S



M.VATR (Metric)

115

BAR

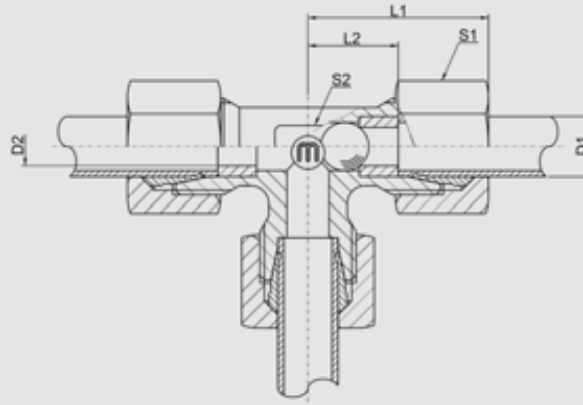


COD.	SERIE	PN BAR	D	R	I	L1	L2	S1	S2	S3	REF.
0111080000	L	250	6	M10x1	8	41	26,5	17	17	14	M.VATR 6-M10x1 L
0111080050	L	250	8	M12x1,5	12	43	28,5	19	19	17	M.VATR 8-M12x1,5 L
0111080100	L	250	10	M14x1,5	12	53	38,5	22	24	19	M.VATR 10-M14x1,5 L
0111080150	L	250	12	M16x1,5	12	55	40,5	27	30	22	M.VATR 12-M16x1,5 L
0111080200	L	250	15	M18x1,5	12	57,5	42,5	27	32	27	M.VATR 15-M18x1,5 L
0111080250	L	160	18	M22x1,5	14	64	48	36	36	32	M.VATR 18-M22x1,5 L
0111080300	L	160	22	M26x1,5	16	72	56	41	46	36	M.VATR 22-M26x1,5 L
0111080350	L	100	28	M33x2	18	80,5	64	50	55	41	M.VATR 28-M33x2 L
0111080400	L	100	35	M42x2	20	91,5	70	60	60	50	M.VATR 35-M42x2 L
0111080450	L	100	42	M48x2	22	93	70,5	65	70	60	M.VATR 42-M48x2 L
0111080500	S	400	6	M12x1,5	12	46	31,5	19	19	17	M.VATR 6-M12x1,5 S
0111080550	S	400	8	M14x1,5	12	46	31,5	19	19	19	M.VATR 8-M14x1,5 S
0111080600	S	400	10	M16x1,5	12	54	38	22	24	22	M.VATR 10-M16x1,5 S
0111080650	S	400	12	M18x1,5	12	57	41	24	27	24	M.VATR 12-M18x1,5 S
0111080700	S	315	14	M20x1,5	14	61	43,5	27	32	27	M.VATR 14-M20x1,5 S
0111080750	S	315	16	M22x1,5	14	64	46	32	36	30	M.VATR 16-M22x1,5 S
0111080800	S	250	20	M27x2	16	71,5	50	41	46	36	M.VATR 20-M27x2 S
0111080850	S	250	25	M33x2	18	78,5	54,5	46	50	46	M.VATR 25-M33x2 S
0111080900	S	250	30	M42x2	20	90,5	64	60	60	50	M.VATR 30-M42x2 S
0111080950	S	250	38	M48x2	22	102	71,5	65	70	60	M.VATR 38-M48x2 S

**VÁLVULA ANTIRRE-
TORNO TUBO
ROSCA (MÉTRICO)**

**NON RETURN
VALVE TUBE THRE-
AD (METRIC)**

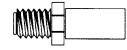
RACORES FITTINGS



116

M.VAT

BAR



VÁLVULA
ALTERNATIVA

ALTERNATING
VALVE

COD.	SERIE	PN BAR	D1	D2	L1	L2	S1	S2	REF.
0111100050	L	250	8	4,5	29	14	17	14	M.VAT 8 L
0111100100	L	250	10	6	30	15	19	17	M.VAT 10 L
0111100150	L	250	12	7,5	32	17	22	19	M.VAT 12 L
0111100200	L	250	15	10	36	21	27	19	M.VAT 15 L
0111100500	S	630	6	3	31	16	17	14	M.VAT 6 S
0111100550	S	630	8	4,5	32	17	19	17	M.VAT 8 S
0111100600	S	630	10	6	34	17,5	22	19	M.VAT 10 S
0111100650	S	630	12	7,5	38	21,5	24	22	M.VAT 12 S
0111100750	S	400	16	10	43	24,5	30	24	M.VAT 16 S



METALAL

TUBERÍA

TUBE

TUBERÍA - TUBE

TUBERÍA CON ZINCADO ELECTROLÍTICO - <i>ELECTROLYTIC ZINC PIPE</i>	123
TUBERÍA FOSFATADA - <i>PHOSPHATED PIPE</i>	125
TUBO BUNDY - <i>BUNDY PIPE</i>	127

Tubería de acero de precisión sin soldadura para aplicaciones hidráulicas y neumáticas. Tubería acorde a la norma EN 10305-4:2003.

Precision steel pipes, seamless, for hydraulic and pneumatic applications. Pipes to EN 10305-4:2003 standard.

Para que la tubería esté protegida durante el almacenamiento, el exterior y el interior del tubo son aceitados y taponados en sus extremos. Las superficies internas y externas son lisas, con una rugosidad de $Ra \leq 4\mu m$.

The interior and exterior of the pipe is oiled to protect the pipes while in store and obtured with plastic plugs. The internal and external surfaces are smooth, with a roughness of $Ra \leq 4\mu m$.

Las barras tienen una longitud de 6 metros.

The bars are 6 metres long.

Los valores de las presiones son acordes a la norma ISO 10763.

The pressure values are in accordance with ISO 10763 standard.

Las características del material de la tubería es la siguiente:

The material contained in the pipe is as follows:

Acero Steel	Composición química Chemical composition					Límite elástico Elastic limit	Resistencia a la tracción Resistance to traction	Alargamiento A
	C	Si	Mn	P	S	ReH	Rm	%
	max.	max.	max.	max.	max.	MPa	MPa	Min.
E235	0,17	0,35	1,20	0,025	0,015	235	350-480	25

Las tolerancias del diámetro exterior de la tubería se desglosan en la tabla adjunta:

The tolerances on the exterior diameter of the pipes is listed in the table below:

\varnothing exterior	$\varnothing \leq 30\text{mm}$	$32\text{mm} < \varnothing \leq 40\text{mm}$	$42\text{mm} \leq \varnothing \leq 50\text{mm}$	$50\text{mm} < \varnothing < 70\text{mm}$
Tolerancias Tolerances	$\pm 0,08\text{mm}$	$\pm 0,15\text{mm}$	$\pm 0,20\text{mm}$	$\pm 0,25\text{mm}$

Para la tubería que tiene tratamiento superficial el recubrimiento exterior es zincado electrolítico con Cr III, con un espesor de 8 a 15 micras. Es un recubrimiento libre de Cr VI acorde a la norma europea EN 2000/53/CE (Tubo HX).

For pipe that has been surface treated, the exterior coating is electrolytic zinc-coated with Cr III, 8 to 15 microns thick. The coating is free from Cr VI, according to European standard EN 2000/53/CE (Pipe HX).

La resistencia a la corrosión blanca es de 100/115 horas mientras que a la corrosión roja es de 400 horas.

Resistance to white corrosion is 100/115 hours, and resistance to red corrosion is 400 hours.

CÓDIGO	REF.	DIÁMETRO EXTERIOR MM	ESPESOR MM	DIÁMETRO INTERIOR MM	PESO KG./MTS.	PRESIÓN TRABAJO (BAR)	PRESIÓN ROTURA (BAR)
CODE	REF.	OUTSIDE DIAMETER MM	THICKNESS MM	INSIDE DIAMETER MM	WEIGHT KG./MTS.	WORKING PRESSURE BAR	BURST PRESSURE BAR
0250050030	HX-2x4	4	1	2	0,074	624	2495
0250050040	HX-2x6	6	2	2	0,197	989	3955
0250050050	HX-3x6	6	1,5	3	0,167	624	2495
0250050060	HX-4x6	6	1	4	0,123	365	1460
0250050080	HX-4x8	8	2	4	0,296	624	2495
0250050090	HX-5x8	8	1,5	5	0,24	423	1692
0250050120	HX-6x8	8	1	6	0,173	259	1036
0250050140	HX-5x10	10	2,5	5	0,462	624	2495
0250050150	HX-6x10	10	2	6	0,395	460	1839
0250050180	HX-7x10	10	1,5	7	0,314	321	1284
0250050210	HX-8x10	10	1	8	0,222	201	803
0250050200	HX-6x12	12	3	6	0,74	624	2495
0250050220	HX-7x12	12	2,5	7	0,586	485	1940
0250050230	HX-8x12	12	2	8	0,493	365	1460
0250050240	HX-9x12	12	1,5	9	0,389	259	1036
0250050270	HX-10x12	12	1	10	0,271	164	656
0250050280	HX-10x14	14	2	10	0,592	303	1211
0250050290	HX-11x14	14	1,5	11	0,462	217	868
0250050300	HX-12x14	14	1	12	0,321	139	555
0250050320	HX-11x15	15	2	11	0,641	279	1117
0250050330	HX-12x15	15	1,5	12	0,499	201	803
0250050360	HX-13x15	15	1	13	0,345	129	515
0250050370	HX-10x16	16	3	10	0,961	423	1692
0250050380	HX-11x16	16	2,5	11	0,83	337	1349
0250050390	HX-12x16	16	2	12	0,691	259	1036
0250050420	HX-13x16	16	1,5	13	0,536	187	748
0250050410	HX-14x16	16	1	14	0,37	120	481
0250050430	HX-13x18	18	2,5	13	0,956	293	1172
0250050440	HX-14x18	18	2	14	0,789	226	905
0250050450	HX-15x18	18	1,5	15	0,61	164	656
0250050460	HX-16x18	18	1	16	0,42	106	424
0250050470	HX-12x20	20	4	12	1,578	460	1839
0250050480	HX-14x20	20	3	14	1,258	321	1284
0250050490	HX-15x20	20	2,5	15	1,079	259	1036
0250050510	HX-16x20	20	2	16	0,888	201	803
0250050540	HX-17x20	20	1,5	17	0,684	146	585
0250050570	HX-18x22	22	2	18	0,986	181	722

123

**TUBERÍA CON
ZINCADO
ELECTROLÍTICO**

*ELECTROLYTIC
ZINC PIPE*

TUBERIA TUBES

124

TUBERÍA CON
ZINCADO
ELECTROLÍTICO

ELECTROLYTIC
ZINC PIPE

CÓDIGO	REF.	DIÁMETRO EXTERIOR MM	ESPESOR MM	DIÁMETRO INTERIOR MM	PESO KG./MTS.	PRESIÓN TRABAJO (BAR)	PRESIÓN ROTURA (BAR)
CODE	REF.	OUTSIDE DIAMETER MM	THICKNESS MM	INSIDE DIAMETER MM	WEIGHT KG./MTS.	WORKING PRESSURE BAR	BURST PRESSURE BAR
0250050600	HX-19x22	22	1,5	19	0,758	132	528
0250050610	HX-17x25	25	4	17	2,072	347	1388
0250050620	HX-19x25	25	3	19	1,628	247	988
0250050630	HX-20x25	25	2,5	20	1,387	201	803
0250050660	HX-21x25	25	2	21	1,134	157	628
0250050670	HX-22x25	25	1,5	22	0,869	115	460
0250050680	HX-22x28	28	3	22	1,85	217	868
0250050690	HX-24x28	28	2	24	1,282	139	555
0250050700	HX-20x30	30	5	20	3,083	365	1460
0250050710	HX-22x30	30	4	22	2,565	279	1117
0250050720	HX-24x30	30	3	24	1,998	201	803
0250050730	HX-25x30	30	2,5	25	1,696	164	656
0250050740	HX-26x30	30	2	26	1,381	129	515
0250050750	HX-26x32	32	3	26	2,145	187	748
0250050840	HX-29x35	35	3	29	2,366	169	677
0250050760	HX-31x35	35	2	31	1,628	109	437
0250050770	HX-28x38	38	5	28	4,069	275	1099
0250050780	HX-30x38	38	4	30	3,354	213	851
0250050800	HX-34x38	38	2	34	1,776	100	400
0250050810	HX-36x42	42	3	36	2,886	139	555
0250050850	HX-40x50	50	5	40	5,548	201	803
0250060120	HX-13,25x2,25 (1/4")	13,25	2,25	8,75	0,61	373	1494
0250060140	HX-16,75x2,25 (3/8")	16,75	2,25	12,25	0,815	282	1126
0250060160	HX-21,25x2,75 (1/2")	21,25	2,75	15,75	1,25	270	1078
0250060180	HX-26,75x2,75 (3/4")	26,75	2,75	21,25	1,63	207	829
0250060200	HX-33,50x3,25 (1")	33,5	3,25	27	2,42	194	777
0250060220	HX-42,25x3,25 (1 1/4")	42,25	3,25	35,75	3,13	150	601
0250060240	HX-48,25x3,50 (1 1/2")	48,25	3,5	41,25	3,86	141	564
0250060260	HX-60,30x6,30 (2")	60,3	6,3	47,7	8,3	211	844

TUBERIA TUBES

CÓDIGO	REF.	DIÁMETRO EXTERIOR MM	ESPESOR MM	DIÁMETRO INTERIOR MM	PESO KG./MTS.	PRESIÓN TRABAJO (BAR)	PRESIÓN ROTURA (BAR)
CODE	REF.	OUTSIDE DIAMETER MM	THICKNESS MM	INSIDE DIAMETER MM	WEIGHT KG./MTS.	WORKING PRESSURE BAR	BURST PRESSURE BAR
025000030	TA2x4	4	1	2	0,074	624	2495
025000031	TA2x6	6	2	2	0,197	989	3955
025000050	TA3x6	6	1,5	3	0,167	624	2495
025000060	TA4x6	6	1	4	0,123	365	1460
025000080	TA4x8	8	2	4	0,296	624	2495
025000090	TA5x8	8	1,5	5	0,24	423	1692
025000120	TA6x8	8	1	6	0,173	259	1036
025000140	TA5x10	10	2,5	5	0,462	624	2495
025000150	TA6x10	10	2	6	0,395	460	1839
025000180	TA7x10	10	1,5	7	0,314	321	1284
025000210	TA8x10	10	1	8	0,222	201	803
025000200	TA6x12	12	3	6	0,74	624	2495
025000220	TA7x12	12	2,5	7	0,586	485	1940
025000230	TA8x12	12	2	8	0,493	365	1460
025000240	TA9x12	12	1,5	9	0,389	259	1036
025000270	TA10x12	12	1	10	0,271	164	656
025000280	TA10x14	14	2	10	0,592	303	1211
025000290	TA11x14	14	1,5	11	0,462	217	868
025000300	TA12x14	14	1	12	0,321	139	555
025000310	TA10x15	15	2,5	10	0,77	365	1460
025000320	TA11x15	15	2	11	0,641	279	1117
025000330	TA12x15	15	1,5	12	0,499	201	803
025000360	TA13x15	15	1	13	0,345	129	515
025000370	TA10x16	16	3	10	0,961	423	1692
025000380	TA11x16	16	2,5	11	0,83	337	1349
025000390	TA12x16	16	2	12	0,691	259	1036
025000420	TA13x16	16	1,5	13	0,536	187	748
025000410	TA14x16	16	1	14	0,37	120	481
025000430	TA13x18	18	2,5	13	0,956	293	1172
025000440	TA14x18	18	2	14	0,789	226	905
025000450	TA15x18	18	1,5	15	0,61	164	656
025000460	TA16x18	18	1	16	0,42	106	424
025000470	TA12x20	20	4	12	1,578	460	1839
0250001470	TA13x20	20	3,5	13	1,424	388	1551
025000480	TA14x20	20	3	14	1,258	321	1284
025000490	TA15x20	20	2,5	15	1,079	259	1036
025000510	TA16x20	20	2	16	0,888	201	803

125

**TUBERÍA
FOSFATADA**

*PHOSPHATED
PIPE*

TUBERIA TUBES

126

**TUBERÍA
FOSFATADA**

*PHOSPHATED
PIPE*

CÓDIGO	REF.	DIÁMETRO EXTERIOR MM	ESPESOR MM	DIÁMETRO INTERIOR MM	PESO KG./MTS.	PRESIÓN TRABAJO (BAR)	PRESIÓN ROTURA (BAR)
CODE	REF.	OUTSIDE DIAMETER MM	THICKNESS MM	INSIDE DIAMETER MM	WEIGHT KG./MTS.	WORKING PRESSURE BAR	BURST PRESSURE BAR
0250000540	TA17x20	20	1,5	17	0,684	146	585
0250000570	TA18x22	22	2	18	0,986	181	722
0250000600	TA19x22	22	1,5	19	0,758	132	528
0250000610	TA17x25	25	4	17	2,072	347	1388
0250000620	TA19x25	25	3	19	1,628	247	988
0250000630	TA20x25	25	2,5	20	1,387	201	803
0250000660	TA21x25	25	2	21	1,134	157	628
0250000670	TA22x25	25	1,5	22	0,869	115	460
0250000680	TA22x28	28	3	22	1,85	217	868
0250000690	TA24x28	28	2	24	1,282	139	555
0250000700	TA20x30	30	5	20	3,083	365	1460
0250000710	TA22x30	30	4	22	2,565	279	1117
0250000720	TA24x30	30	3	24	1,998	201	803
0250000730	TA25x30	30	2,5	25	1,696	164	656
0250000740	TA26x30	30	2	26	1,381	129	515
0250000750	TA26x32	32	3	26	2,145	187	748
0250000840	TA29x35	35	3	29	2,366	169	677
0250000760	TA31x35	35	2	31	1,628	109	437
0250000770	TA28x38	38	5	28	4,069	275	1099
0250000780	TA30x38	38	4	30	3,354	213	851
0250000800	TA34x38	38	2	34	1,776	100	400
0250000810	TA36x42	42	3	36	2,886	139	555
0250000850	TA40x50	50	5	40	5,548	201	803

Tubo Bundy Bundy pipe

El tubo Bundy Double Wall está fabricado con fleje continuo de acero laminado en frío, chapado en cobre, de bajo carbono y ajustada tolerancia, de doble capa (a través de 720 grados) con soldadura fuerte en ambiente controlado para formar tubo de doble pared.

Bundy Double Wall tube is manufactured from a low carbon, tight tolerance continuous strip of cooper plated cold rolled steel, double wrapped (through 720 degrees) and brazed in a controlled atmosphere to form a double-walled tube.

El tubo cumple o supera las especificaciones ASTM A254 y SAE J527.

Meets or exceeds specifications ASTM A254 and SAE J527.

El tubo es de doble pared.

Double wall construction.

La tubería no tiene rebordes ni rebabas de soldadura en el interior y exterior.

Bead free no weld flash inside or outside the tube.

Interior y exterior del tubo acabado en cobre.

Cooper finish on inside and outside of tubing.

Diseñados para soportar altas presiones internas y combatir la fatiga por vibración.

Designed to withstand high internal pressures and combat vibration fatigue.

CÓDIGO	REF.	DIÁMETRO EXTERIOR MM	ESPESOR MM	DIÁMETRO INTERIOR MM	LONGITUD MTS.
CODE	REF.	OUTSIDE DIAMETER MM	THICKNESS MM	INSIDE DIAMETER MM	LENGTH. MTS.
0250100030	Bundy Ø4x0,71	4	0,71	2,58	6
0250100060	Bundy Ø6x0,71	6	0,71	4,58	5
0250100120	Bundy Ø8x0,71	8	0,71	6,58	5
0250100210	Bundy Ø10x0,71	10	0,71	8,58	5
0250100270	Bundy Ø12x0,71	12	0,71	10,58	5

127

TUBO BUNDY

BUNDY PIPE



ABRAZADERAS

TUBE - CLAMPS

ABRAZADERAS - TUBE CLAMPS

SERIE LIGERA / LIGHT SERIES



p.135

SERIE DOBLE / TWIN SERIES



p.147

SERIE PESADA / HEAVY SERIES

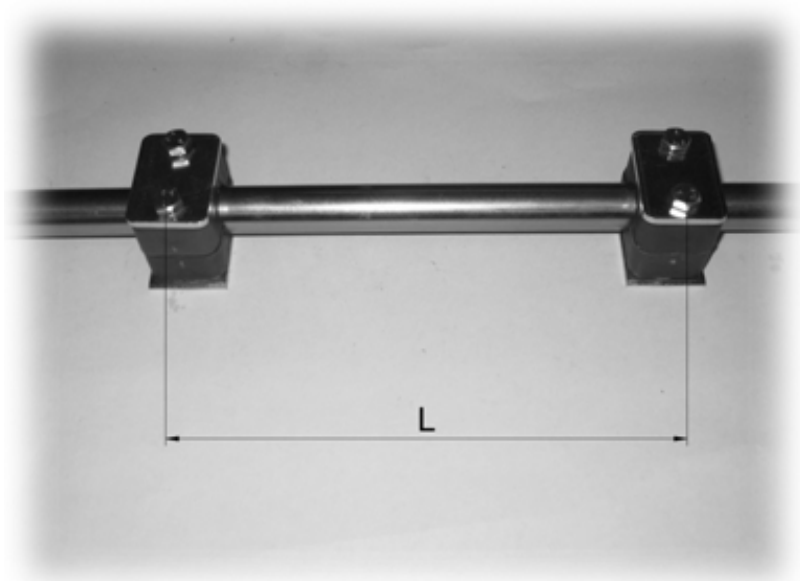


p.155

Montaje Assembly

- 1.- La distancia para realizar un montaje correcto de las abrazaderas será la distancia entre los ejes de los tornillos de las diferentes abrazaderas, según la tabla adjunta:
- 1.- The correct distance for mounting the clamps is the distance between the axes of the bolts on the various clamps, as shown in the table below:

DIÁMETRO EXTERIOR DEL TUBO (MM) OUTER DIAMETER OF THE TUBE (MM)	"L" DISTANCIA DE LAS ABRAZADERAS (Mts) "L" DISTANCE OF THE CLAMPS (Mts)
6.0-12.7	1.0
12.7-22.0	1.2
22.0-32.0	1.5
32.0-38.0	2.0
38.0-57.0	2.7
57.0-75.0	3.0
75.0-76.1	3.5
76.1-88.9	3.7
88.9-102.0	4.0
102.0-114.0	4.5
114.0-168.0	5.0
168.0-219.0	6.0



2.- El montaje de las abrazaderas en tubería curvada será justo al termino de cada curva.
2.- On curved pipes, the clamps are mounted just at the end of each curve.

134



**MATERIALES:
MATERIALS:**

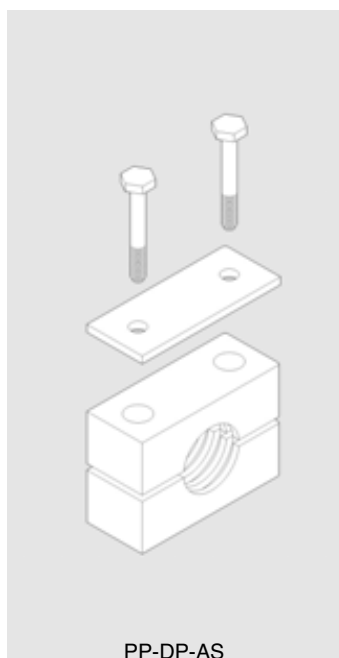
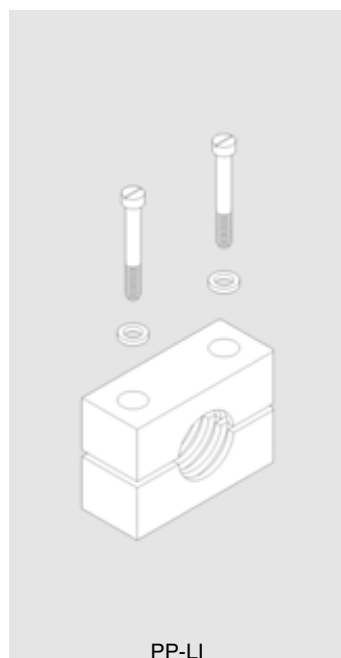
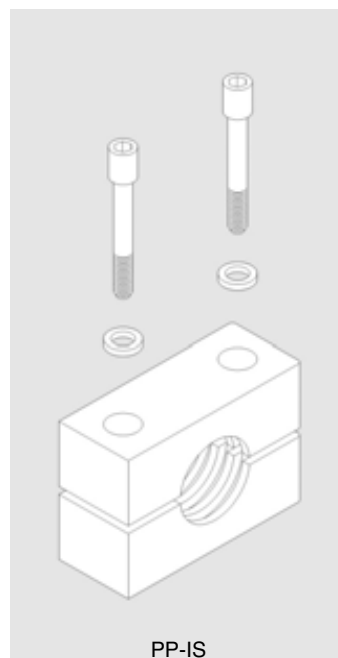
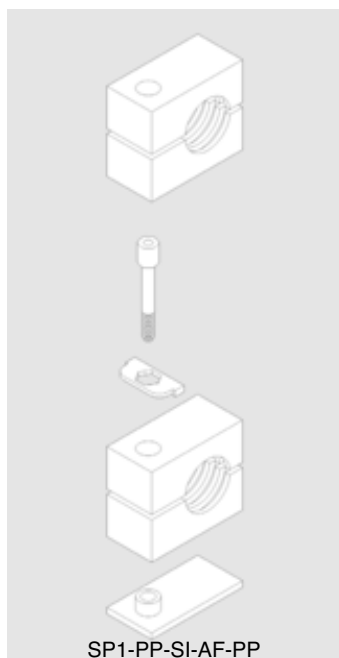
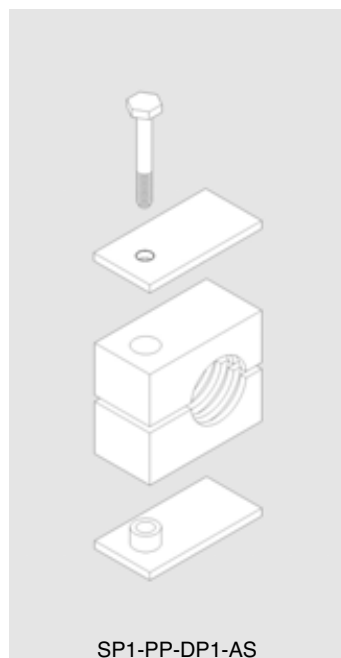
PP - POLIPROPILENO
POLYPROPYLENE

PA - POLIAMIDA
POLYAMIDE

AL - ALUMINIO
ALUMINIUM

Serie Ligera

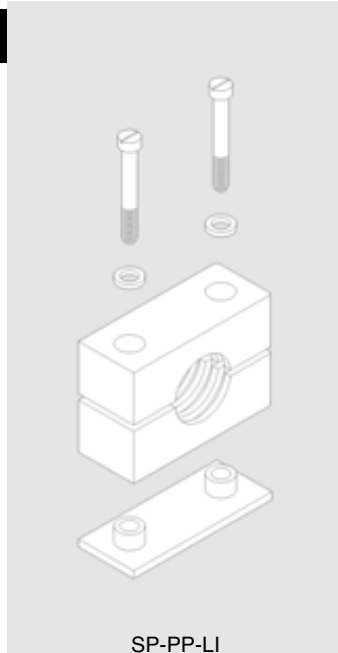
Light Series



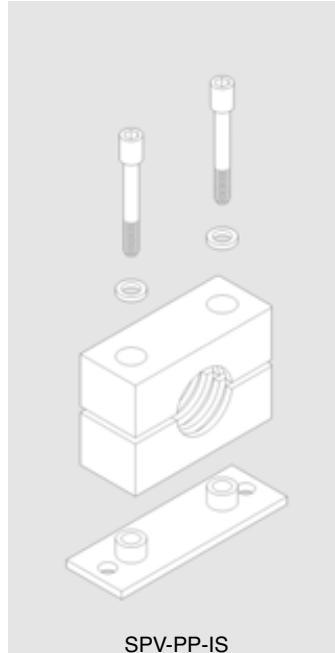
136

Serie Ligera

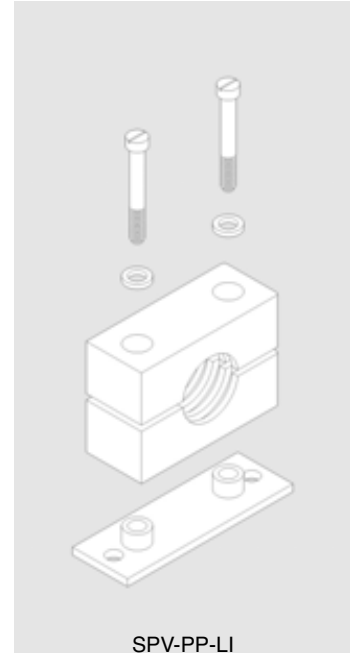
Light Series



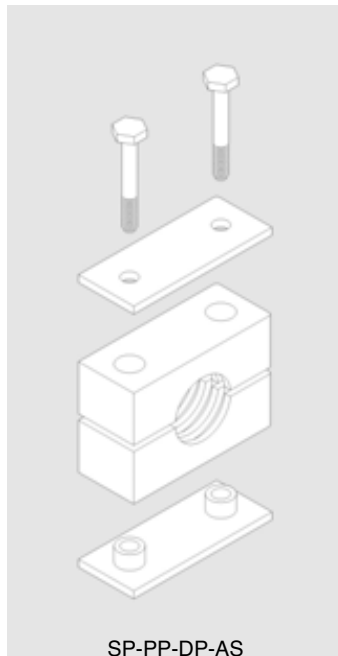
SP-PP-LI



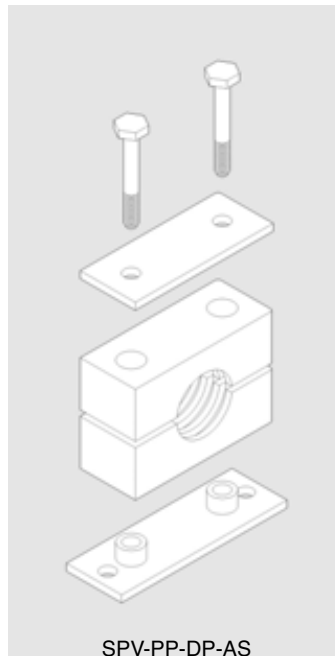
SPV-PP-IS



SPV-PP-LI



SP-PP-DP-AS



SPV-PP-DP-AS



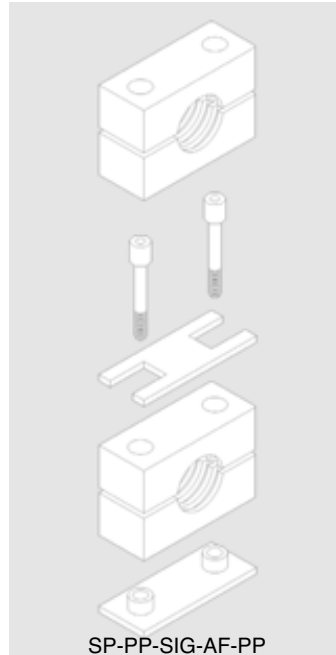
TS-SM-PP-IS



TS-SM-PP-LI



TS-SM-PP-DP-AS



SP-PP-SIG-AF-PP

137

Serie Ligera

Light Series

ABRAZADERAS TUBE CLAMPS



BODY

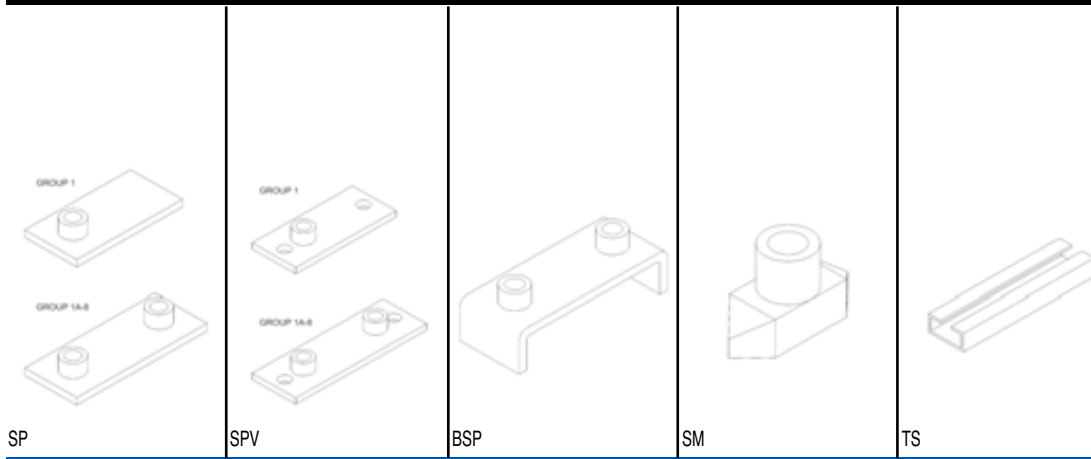
138

Serie Ligera

Light Series

Grupo Group	DIN	Diámetro exterior Outside diameter		Tubo Pipe	Cuerpo Body
		mm	inch		
1	0	6			106
		6.4	1/4"		106.4
		8	5/16"		108
		9.5	3/8"		109.5
		10		1/8"	110
1A	1	12			112
		6			106 A
		6.4	1/4"		106.4 A
		8	5/16"		108 A
		9.5	3/8"		109.5 A
2	2	10		1/8"	110 A
		12			112 A
		12.7	1/2"		212.7
		13.5		1/4"	213.5
		14			214
		15			215
		16	5/8"		216
3	3	17.2		3/8"	217.2
		18			218
		19	3/4"		319
		20			320
4	4	21.3		1/2"	321.3
		22	7/8"		322
		25	1"		325
5	5	26.9		3/4"	426.9
		28			428
6	6	30			430
		32	1 1/4"		532
		33.7		1"	533.7
		35			535
		38	1 1/2"		538
7	7	40			540
		42		1 1/4"	542
		44.5	1 3/4"		644.5
		48.3		1 1/2"	648.3
8	8	50.8	2"		650.8
		57.2	2 1/4"		757.2
		60.3		2"	760.3
		63.5	2 1/2"		763.5
		70	2 3/4"		770
8	8	73	2 7/8"	2 1/2 excepto DIN2448	773
		76.1	3"	2 1/2 solo DIN2448	776.1
		88.9		3"	888.9
		102	4"		8102 L

ABRAZADERAS TUBE CLAMPS



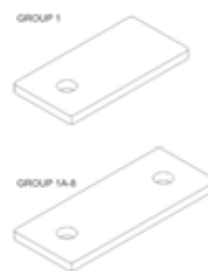
139

Grupo Group	DIN	Medida Size	SP	SPV	BSP	SM	TS
1	0	106	SP1	SPV1			
		106.4					
		108					
		109.5					
		110					
1A	1	112	SP1A	SPV1A	BSP1A		
		106 A					
		106,4 A					
		108 A					
		109,5 A					
2	2	110 A	SP2	SPV2	BSP2		TS11
		112 A					
		212.7					
		213.5					
		214					
3	3	215	SP3	SPV3	BSP3	SM	TS14
		216					
		217.2					
		218					
		319					
4	4	320	SP4	SPV4	BSP4		
		321.3					
		322					
		325					
		426.9					
5	5	428	SP5	SPV5	BSP5		TS30
		430					
		532					
		533.7					
		535					
6	6	538	SP6	SPV6	BSP6		
		540					
		542					
		644.5					
		648.3					
7	7	650.8	SP7	SPV7			
		757.2					
		760.3					
		763.5					
		770					
8	8	773	SP8	SPV8			
		776.1					
		888.9					
		8102 L					

Serie Ligera

Light Series

ABRAZADERAS TUBE CLAMPS



DP

AS

140

Serie Ligera

Light Series

Grupo Group	DIN	Medida Size	DP	AS
1	0	106	DP1	AS1 / 1A (M6x30)
		106.4		
		108		
		109.5		
		110		
		112		
1A	1	106 A	DP1A	
		106.4 A		
		108 A		
		109.5 A		
		110 A		
		112 A		
2	2	212.7	DP2	
		213.5		
		214		
		215		
		216		
		217.2		
3	3	218	DP3	
		319		
		320		
		321.3		
		322		
		325		
4	4	426.9	DP4	
		428		
		430		
		532		
5	5	533.7	DP5	
		535		
		538		
		540		
		542		
6	6	644.5	DP6	
		648.3		
		650.8		
7	7	757.2	DP7	
		760.3		
		763.5		
		770		
		773		
8	8	776.1	DP8	
		888.9		
		8102 L		AS8 (M6x125)

ABRAZADERAS TUBE CLAMPS



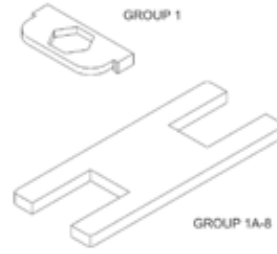
IS



LI



AF



SIG

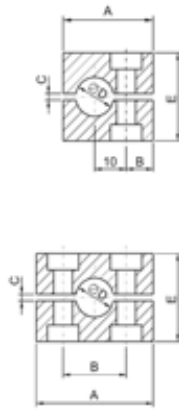
141

Grupo Group	DIN	Medida Size	IS	LI	AF	SIG						
1	0	106	IS1 / 1A (M6x20)	LI1 / 1A (M6x20)	AF1 / 1A	SIG1						
		106.4										
		108										
		109.5										
		110										
112												
1A	1	106 A				IS2 (M6x25)	LI2 (M6x25)	AF2	SIG1A			
		106,4 A										
		108 A										
		109,5 A										
		110 A										
112 A												
2	2	212.7							IS3 (M6x30)	LI3 (M6x30)	AF3	SIG2
		213.5										
		214										
		215										
		216										
217.2												
218												
3	3	319	IS4 (M6x35)	LI4 (M6x35)	AF4							SIG3
		320										
		321.3										
		322										
		325										
4	4	426.9				IS5 (M6x50)	LI5 (M6x50)	AF5				SIG4
		428										
		430										
		532										
		533.7										
5	5	535							IS6 (M6x60)	LI6 (M6x60)	AF6	SIG5
		538										
		540										
		542										
		644.5										
6	6	648.3	IS7 (M6x90)	AF7	AF7							SIG6
		650.8										
		757.2										
		760.3										
		763.5										
7	7	770				IS8 (M6x110)	AF8	AF8				SIG7
		773										
		776.1										
		888.9										
		8102 L										
8	8											SIG8

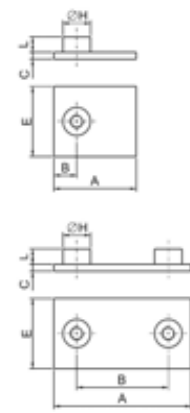
Serie Ligera

Light Series

ABRAZADERAS TUBE CLAMPS



BODY



SP

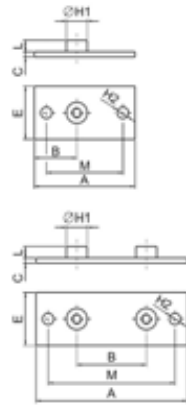
142

Serie Ligera

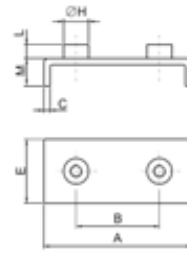
Light Series

Grupo GROUP	DIN	TUBO PIPE ØD	CUERPO ABRAZADERA BODY CLAMP					SP					
			A	B	E	C	Anchura Width	A	B	E	C	L	ØH
1	0	6	28	9.5	27	0.4 min.	30	31.5	10	30	3	6.5	12
		6.4											
		8											
		9.5											
		10											
		12											
1A	1	6	37	20	27	0.4 min.	30	36	20	30	3	6.5	12
		6.4											
		8											
		9.5											
		10											
		12											
2	2	12.7	42	26	33	0.6 min.	30	42	26	30	3	6.5	12
		13.5											
		14											
		15											
		16											
		17.2											
3	3	18	50	33	36	0.6 min.	30	50	33	30	3	6.5	12
		19											
		20											
		21.3											
		22											
		25											
4	4	26.9	59	40	42	0.6 min.	30	60	40	30	3	6.5	12
		28											
		30											
		32											
		33.7											
		35											
5	5	38	71	52	58	0.8 min.	30	71	52	30	3	6.5	12
		40											
		42											
		44.5											
		48.3											
		50.8											
6	6	57.2	86	66	66	0.8 min.	30	88	66	30	3	6.5	12
		60.3											
		63.5											
		70											
		73											
		76.1											
7	7	88.9	121	94	93	0.8 min.	30	122	94	30	5	6.5	12
		102											
		118											
		147											
		120											
		118											
8	8	102	147	120	118	0.8 min.	30	148	120	30	5	6.5	12
		118											
		147											
		120											
		118											
		148											

ABRAZADERAS TUBE CLAMPS



SPV



BSP

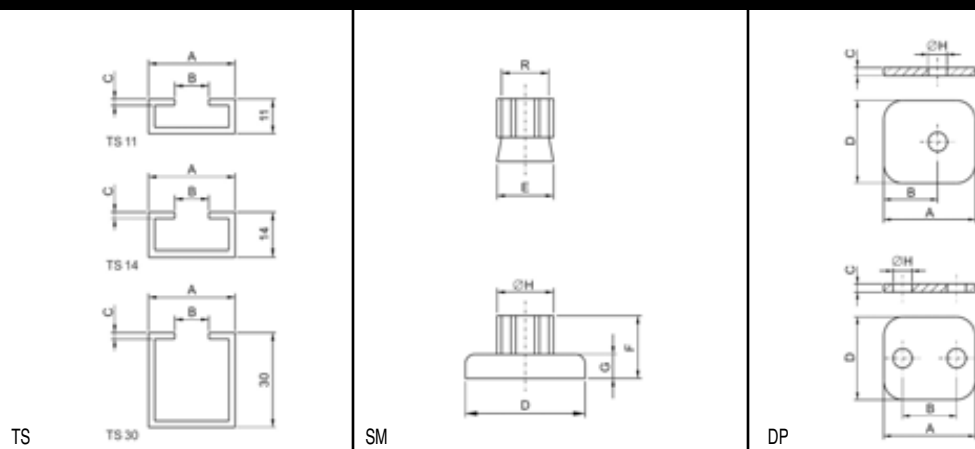
143

Grupo GROUP	DIN	TUBO PIPE	SPV								BSP							
			ØD	A	B	M	E	C	L	ØH1	ØH2	A	B	E	C	M	L	ØH
1	0	6	58	24.5	44	30	3	6.5	12	6.5								
		6.4																
		8																
		9.5																
		10																
		12																
1A	1	6	64	20	50	30	3	6.5	12	6.5	48	20	30	3	13	6.5	12	
		6.4																
		8																
		9.5																
		10																
		12																
2	2	12.7	70	26	56	30	3	6.5	12	6.5	54	26	30	3	13	6.5	12	
		13.5																
		14																
		15																
		16																
		17.2																
3	3	18	78	33	64	30	3	6.5	12	6.5	62	33	30	3	13	6.5	12	
		19																
		20																
		21.3																
		22																
		25																
4	4	26.9	87	40	73	30	3	6.5	12	6.5	71	40	30	3	13	6.5	12	
		28																
		30																
		32																
		33.7																
		35																
5	5	38	100	52	86	30	3	6.5	12	6.5	85	52	30	3	13	6.5	12	
		40																
		42																
		44.5																
		48.3																
		50.8																
6	6	57.2	115	66	100	30	3	6.5	12	6.5	98	66	30	3	13	6.5	12	
		60.3																
		63.5																
		70																
		73																
		76.1																
7	7	88.9	150	94	136	30	5	6.5	12	6.5								
		102																
		102																
		102																
		102																
		102																
8	8	102	178	120	162	30	5	6.5	12	6.5								
		102																

Serie Ligera

Light Series

ABRAZADERAS TUBE CLAMPS



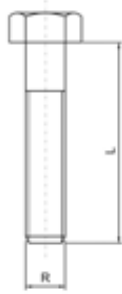
144

Serie Ligera

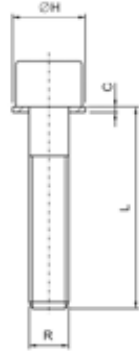
Light Series

Grupo Group	DIN	Tubo Pipe ØD	TS			SM						DP						
			A	B	C	D	E	F	G	ØH	R	A	B	D	C	ØH		
1	0	6											28	9.5	30	3	7	
		6.4																
		8																
		9.5																
		10																
		12																
1A	1	6											34	20	30	3	7	
		6.4																
		8																
		9.5																
		10																
		12																
2	2	12.7											40.5	26	30	3	7	
		13.5																
		14																
		15																
		16																
		17.2																
3	3	18	28	11	2	25.4	10.4	13	5	12	M6	48	33	30	3	7		
		19																
		20																
		21.3																
		22																
		25																
4	4	26.9											57	40	30	3	7	
		28																
		30																
		32																
		33.7																
		35																
5	5	38											70	52	30	3	7	
		40																
		42																
		44.5																
		48.3																
		50.8																
6	6	57.2											86	66	30	3	7	
		60.3																
		63.5																
		70																
		73																
		76.1																
7	7	88.9											118	94	30	5	7	
		102																
8	8												144	120	30	5	7	

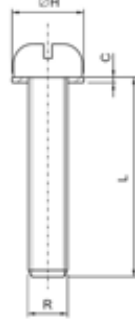
ABRAZADERAS TUBE CLAMPS



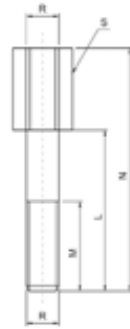
AS



IS



LI



AF



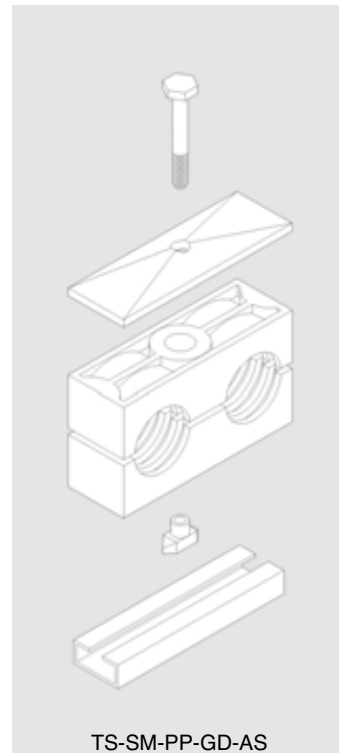
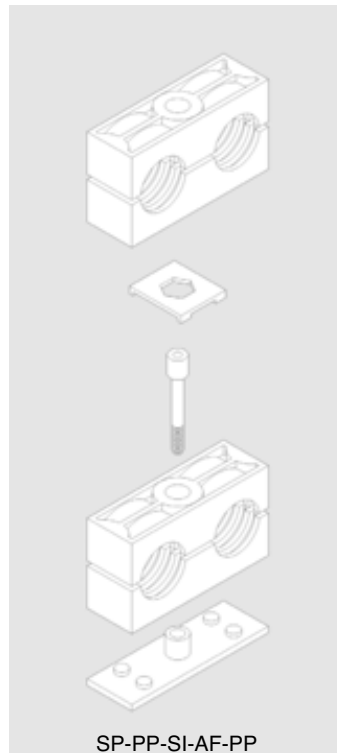
SIG

145

Grupo Group	DIN	Tubo Pipe ØD	AS	IS				LI			AF					SIG			
			RxL	RxL	ØH	C	RxL	ØH	C	R	N	L	M	S	A	D	B	C	
1	0	6	M6x30	M6x20	11	0.8	M6x20	11	0.8	M6	34	20	12 min.	11	17	32	11.1	1	
		6.4																	
		8																	
		9.5																	
		10																	
		12																	
1A	1	6	M6x30	M6x20	11	0.8	M6x20	11	0.8	M6	34	20	12 min.	11	34	28	11.1	1	
		6.4																	
		8																	
		9.5																	
		10																	
		12																	
2	2	12.7	M6x35	M6x25	11	0.8	M6x25	11	0.8	M6	40	25	12 min.	11	40	28	11.1	1	
		13.5																	
		14																	
		15																	
		16																	
		17.2																	
3	3	18	M6x40	M6x30	11	0.8	M6x30	11	0.8	M6	44	30	12 min.	11	47	28	11.1	1	
		19																	
		20																	
		21.3																	
		22																	
		25																	
4	4	26.9	M6x45	M6x35	11	0.8	M6x35	11	0.8	M6	48	35	12 min.	11	56	28	11.1	1	
		28																	
		30																	
		32																	
		33.7																	
		35																	
5	5	38	M6x60	M6x50	11	0.8	M6x50	11	0.8	M6	64	50	12 min.	11	69	28	11.1	1	
		40																	
		42																	
		44.5																	
		48.3																	
		50.8																	
6	6	57.2	M6x70	M6x60	11	0.8	M6x60	11	0.8	M6	73	60	12 min.	11	85	28	11.1	1	
		60.3																	
		63.5																	
		70																	
		73																	
		76.1																	
7	7	88.9	M6x100	M6x90	11	0.8				M6	99	85	12 min.	11	117	28	11.1	1	
		102																	
		102																	
8	8	88.9	M6x125	M6x110	11	0.8				M6	124	110	12 min.	11	143	28	11.1	1	
		102																	

Serie Ligera

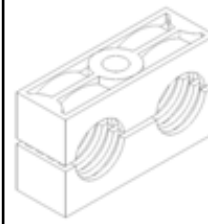
Light Series



Serie Doble

Twin Series

ABRAZADERAS TUBE CLAMPS



BODY



SP

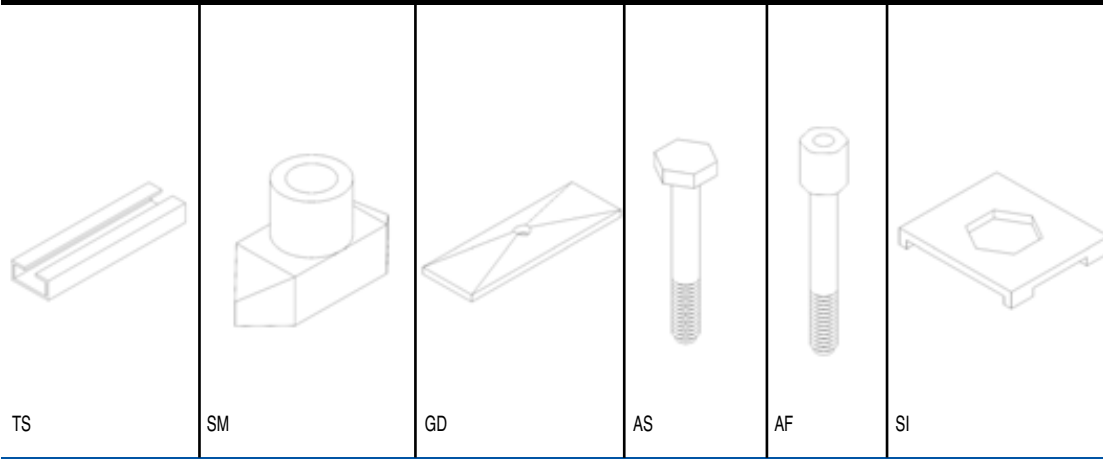
148

Serie Doble

Twin Series

Grupo GROUP	DIN	Diámetro exterior Outside diameter		Tubo Pipe	Cuerpo Body	SP
		mm	inch			
1D	1	6			106/06	SP-1D
		6.4	1/4"		106,4/6,4	
		8			108/08	
		9.5	3/8"		109,5/9,5	
		10		1/8"	110/10	
		12			112/12	
2D	2	12.7	1/2"		212,7/12,7	SP-2D
		13.5		1/4"	213,5/13,5	
		14			214/14	
		15			215/15	
		16	5/8"		216/16	
		17.2		3/8"	217,2/17,2	
3D	3	18			218/18	SP-3D
		19	3/4"		319/19	
		20			320/20	
		21.3		1/2"	321,3/21,3	
		22	7/8"		322/22	
4D	4	25	1"		325/25	SP-4D
		26.9		3/4"	426,9/26,9	
		28			428/28	
5D	5	30			430/30	SP-5D
		32	1"1/4		532/32	
		33.7		1"	533,7/33,7	
		35			535/35	
		38	1"1/2		538/38	
		40			540/40	
42		1"1/4	542/42			

ABRAZADERAS TUBE CLAMPS



TS

SM

GD

AS

AF

SI

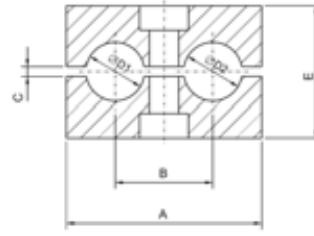
149

Grupo GROUP	DIN	Medida Size	TS	SM	GD	AS	AF	SI	
1D	1	106/06	TS 11	SM	GD1-D	AS1-D (M6x35)	AF1-D	SI1-D	
		106,4/6,4							
		108/08							
		109,5/9,5							
		110/10							
		112/12							
2D	2	212,7/12,7			TS 14	GD2-D	AS2-D (M8x35)	AF2-D	SI2-5D
		213,5/13,5							
		214/14							
		215/15							
		216/16							
		217,2/17,2							
3D	3	218/18	TS30 (1 or 2 mts)	GD3-D	AS3-D (M8x45)	AF3-D			
		319/19							
		320/20							
		321,3/21,3							
		322/22							
		325/25							
4D	4	426,9/26,9	GD4-D	AS4-D (M8x50)	AF4-D				
		428/28							
		430/30							
5D	5	532/32	GD5-D	AS5-D (M8x60)	AF5-D				
		533,7/33,7							
		535/35							
		538/38							
		540/40							
542/42									

Serie Doble

Twin Series

ABRAZADERAS TUBE CLAMPS



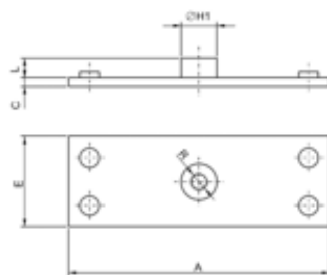
150

Serie Doble

Twin Series

Grupo GROUP	DIN	Tubo Pipe	CUERPO ABRAZADERA BODY CLAMP				Anchura Width
		ØD1-ØD2	A	B	E	C	
1D	1	6/6	36	20	27	0.6 min.	30
		6,4/6,4					
		8/8					
		9,5/9,5					
		10/10					
		12/12					
2D	2	12,7/12,7	53	29	27	0.7 min.	30
		13,5/13,5					
		14/14					
		15/15					
		16/16					
		17,2/17,2					
		18/18					
3D	3	19/19	67	36	37	0.7 min.	30
		20/20					
		21,3/21,3					
		22/22					
		25/25					
4D	4	26,9/26,9	80	45	40	0.7 min.	30
		28/28					
		30/30					
5D	5	32/32	106	56	53	0.7 min.	30
		33,7/33,7					
		35/35					
		38/38					
		40/40					
		42/42					

ABRAZADERAS TUBE CLAMPS



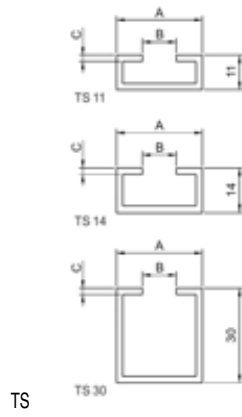
151

Grupo GROUP	DIN	Tubo Pipe	SP					
		ØD1-ØD2	A	E	C	L	øH1	R
1D	1	6/6	37	30	3	6.5	12	M6
		6,4/6,4						
		8/8						
		9,5/9,5						
		10/10						
2D	2	12,7/12,7	55	30	5	6	14	M8
		13,5/13,5						
		14/14						
		15/15						
		16/16						
		17,2/17,2						
3D	3	18/18	70	30	5	6	14	M8
		19/19						
		20/20						
		21,3/21,3						
		22/22						
4D	4	25/25	85	30	5	6	14	M8
		26,9/26,9						
		28/28						
5D	5	30/30	110	30	5	6	14	M8
		32/32						
		33,7/33,7						
		35/35						
		38/38						
		40/40						
42/42								

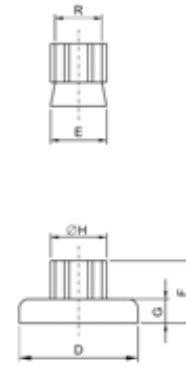
Serie Doble

Twin Series

ABRAZADERAS TUBE CLAMPS



SM



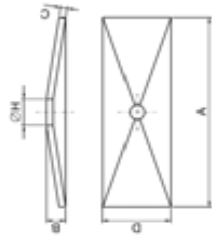
152

Serie Doble

Twin Series

Grupo Group	DIN	Tubo Pipe	TS				SM					
			ØD	NS	A	B	C	D	E	F	G	ØH
1D	1	6/6	TS11	28	11	2	25.4	10.4	13	5	12	M6
		6,4/6,4										
		8/8										
		9,5/9,5										
		10/10										
12/12												
2D	2	12,7/12,7	TS14	28	11	2	25.4	10.4	14	5	14	M8
		13,5/13,5										
		14/14										
		15/15										
		16/16										
17,2/17,2												
3D	3	18/18	TS30	28	11	2	25.4	10.4	14	5	14	M8
		19/19										
		20/20										
4D	4	21,3/21,3	TS30	28	11	2	25.4	10.4	14	5	14	M8
		22/22										
		25/25										
5D	5	26,9/26,9	TS30	28	11	2	25.4	10.4	14	5	14	M8
		28/28										
		30/30										
		32/32										
		33,7/33,7										
35/35												
38/38												
40/40												
42/42												

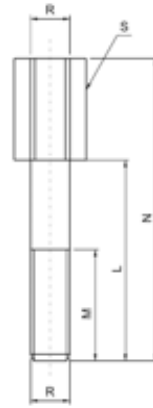
ABRAZADERAS TUBE CLAMPS



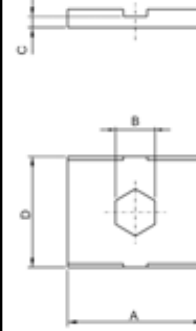
GD



AS



AF



SI

153

Grupo GROUP	DIN	Tubo Pipe ØD	GD					AS	AF					SI			
			A	D	B	C	ØH	RxL	R	N	L	M	S	A	D	B	C
1D	1	6/6	34	30	7	3	7	M6x35	M6	34	20	12 min.	11	27	22	11.1	0.5
		6,4/6,4															
		8/8															
		9,5/9,5															
		10/10															
12/12																	
2D	2	12,7/12,7	52	30	7	3	9	M8x35	M8	33	20	12 min.	12	27	22	12.1	0.5
		13,5/13,5															
		14/14															
		15/15															
		16/16															
17,2/17,2																	
18/18																	
3D	3	19/19	65	30	7	3	9	M8x45	M8	44	29	12 min.	12	27	22	12.1	0.5
		20/20															
		21,3/21,3															
		22/22															
4D	4	25/25	79	30	7	3	9	M8x50	M8	49	34	12 min.	12	27	22	12.1	0.5
		26,9/26,9															
		28/28															
5D	5	30/30	100	30	7	3	9	M8x60	M8	61	46	12 min.	12	27	22	12.1	0.5
		32/32															
		33,7/33,7															
		35/35															
		38/38															
40/40																	
42/42																	

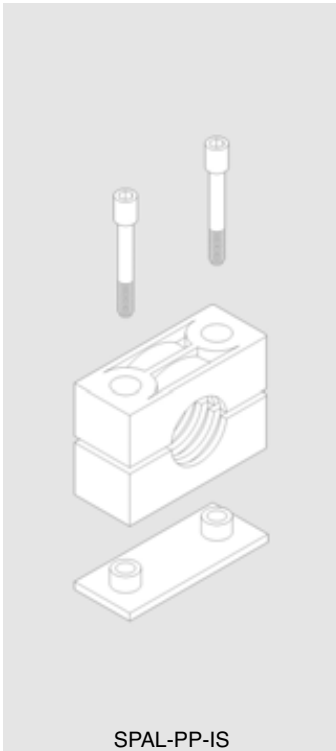
Serie Doble

Twin Series

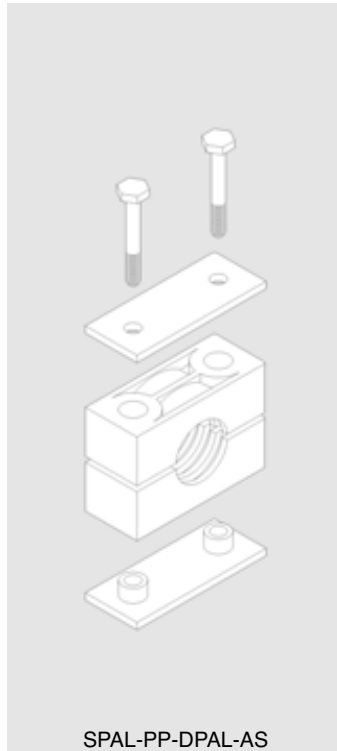
155

Serie pesada

Heavy Series



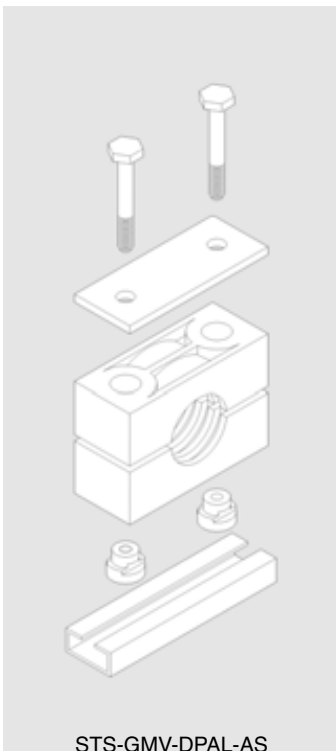
SPAL-PP-IS



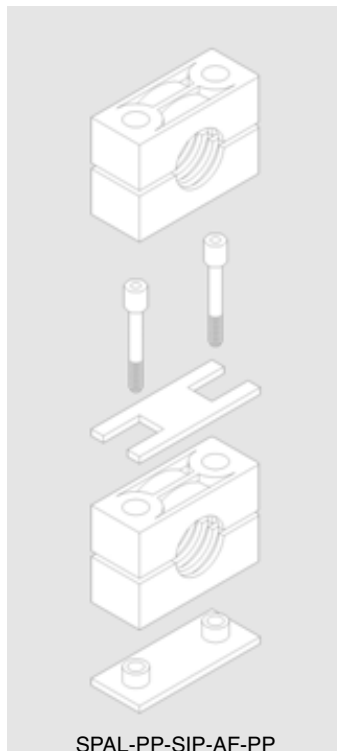
SPAL-PP-DPAL-AS



DÜB-PP-DPAL-AS

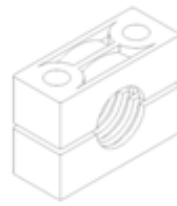


STS-GMV-DPAL-AS



SPAL-PP-SIP-AF-PP

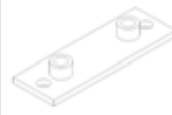
ABRAZADERAS TUBE CLAMPS



BODY



SPAL



SPAL/DÜB



STS



GMV



DPAL

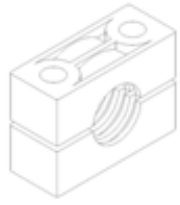
156

Serie pesada

Heavy Series

Grupo Group	DIN	Diámetro exterior Outside diameter		Tubo Pipe	Cuerpo Body	SPAL	SPAL / DÜB	STS	GMV	DPAL
		mm	inch							
3S	1	6			3006	SPAL3S	SPAL / DÜB 3S	STS	GMV10	DPAL3S
		6.4	1/4"		3006.4					
		8			3008					
		9.5	3/8"		3009.5					
		10		1/8"	3010					
		12			3012					
		12.7	1/2"		3012.7					
		13.5		1/4"	3013.5					
		14			3014					
		15			3015					
		16	5/8"		3016					
4S	2	17.2		3/8"	3017.2	SPAL4S	SPAL / DÜB 4S	STS	GMV10	DPAL4S
		18			3018					
		19	3/4"		4019					
		20			4020					
		21.3		1/2"	4021.3					
		22	7/8"		4022					
		25			4025					
		26.9		3/4"	4026.9					
5S	3	28			4028	SPAL5S	SPAL / DÜB 5S	STS	GMV12	DPAL5S
		30			4030					
		30			5030					
		32	1*1/4		5032					
		33.7		1"	5033.7					
		35			5035					
		38	1*1/2		5038					
6S	4	40			5040	SPAL6S	SPAL / DÜB 6S	STS	GMV12	DPAL6S
		42		1*1/4	5042					
		38	1*1/2		6038					
		42		1*1/4	6042					
		44.5	1*3/4		6044.5					
		48.3		1*1/2	6048.3					
		50.8	2"		6050.8					
		55			6055					
		57	2*1/4		6057					
		60.3		2"	6060.3					
7S	5	63.5	2*1/2		6063.5	SPAL7S	SPAL / DÜB 7S	STS	GMV12	DPAL7S
		65			6065					
		70			6070					
		65			7065					
		70			7070					
		73	2*7/8	2*1/2 (excepto DIN 2448)	7073					
		75			7075					
		76.1	3"	2*1/2 (DIN 2448)	7076.1					
		80			7080					
82.5	3*1/4		7082.5							
88.9		3"	7088.9							

ABRAZADERAS TUBE CLAMPS



BODY



SPAL



SPAL/DÜB



STS



GMV



DPAL

157

Grupo Group	DIN	Diámetro exterior Outside diameter		Tubo Pipe	Cuerpo Body	SPAL	SPAL / DÜB	STS	GMV	DPAL
		mm	inch							
8S	6	88.9		3"	8088.9	SPAL8S	SPAL / DÜB 8S			DPAL8S
		100			8100					
		102		3 1/2"	8102					
		108	4 1/4"		8108					
		114		4"	8114					
		127	5"		8127					
		133	5 1/4"		8133					
9S	7	133	5 1/4"		9133	SPAL9S	SPAL / DÜB 9S			DPAL9S
		140		5"	9140					
		152	6"		9152					
		159	6 1/4"		9159					
		165	6 1/2"		9165					
		168		6"	9168					
10S	8	168		6"	10168	SPAL10S	SPAL / DÜB 10S			DPAL10S
		177.8	7"		10177.8					
		193.7	7 5/8"		10193.7					
		216	8 1/2"		10216					
		219		8"	10219					
11S	9	219		8"	11219	SPAL11S	SPAL / DÜB 11S			DPAL11S
		273		10"	11273					
		324		12"	11324					
12S	10	356		14"	12356	SPAL12S	SPAL / DÜB 12S			DPAL12S
		406		16"	12406					

Serie Pesada

Heavy Series

ABRAZADERAS TUBE CLAMPS



AS



IS



AF



SIP

158

Serie pesada

Heavy Series

Grupo Group	DIN	Medida Size	AS	IS	AF	SIP
3S	1	3006	AS3S (M10x45)	IS3S (M10x30)	AF3S	SIP3S
		3006.4				
		3008				
		3009.5				
		3010				
		3012				
		3012.7				
		3013.5				
		3014				
		3015				
		3016				
		3017.2				
		3018				
4S	2	4019	AS4S (M10x60)	IS4S (M10x40)	AF4S	SIP4S
		4020				
		4021.3				
		4022				
		4025				
		4026.9				
		4028				
		4030				
5S	3	5030	AS5S (M10x70)	IS5S (M10x50)	AF5S	SIP5S
		5032				
		5033.7				
		5035				
		5038				
		5040				
		5042				
6S	4	6038	AS6S (M12x100)	IS6S (M12x80)	AF6S	SIP6S
		6042				
		6044.5				
		6048.3				
		6050.8				
		6055				
		6057				
		6060.3				
		6063.5				
		6065				
		6070				
		7065				
7S	5	7070	AS7S (M16x130)		AF7S	SIP7S
		7073				
		7075				
		7076.1				
		7080				
		7082.5				
		7088.9				

ABRAZADERAS TUBE CLAMPS



AS



IS



AF



SIP

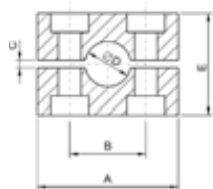
159

Grupo Group	DIN	Medida Size	AS	IS	AF	SIP
8S	6	8088.9	AS8S (M20x190)		AF8S	SIP8S
		8100				
		8102				
		8108				
		8114				
		8127				
		8133				
9S	7	9133	AS9S (M24x220)		AF9S	SIP9S
		9140				
		9152				
		9159				
		9165				
		9168				
10S	8	10168	AS10S (M30x300)		AF10S	SIP10S
		10177.8				
		10193.7				
		10216				
		10219				
11S	9	11219	AS11S (M30x450)			
		11273				
		11324				
12S	10	12356	AS12S (M30x560)			
		12406				

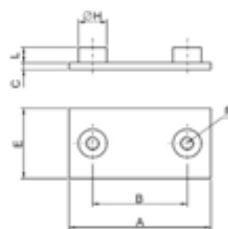
Serie Pesada

Heavy Series

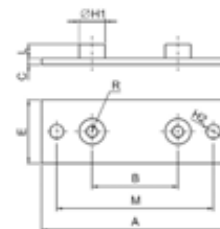
ABRAZADERAS TUBE CLAMPS



BODY



SPAL



SPAL/DÜB

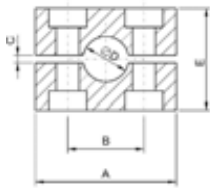
160

Serie pesada

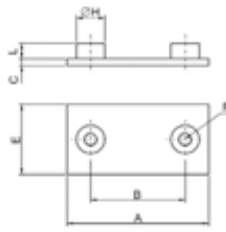
Heavy Series

Grupo GROUP	DIN	TUBO Pipe ØD	CUERPO BODY						SPAL						SPAL / DÜB									
			A		B	E	C	anchura width	A	B	E	C	L	R	ØH	A	B	M	E	C	L	R	ØH1	ØH2
			PP/PA	AL																				
3S	1	6	55	56	33	32	0.6 min	30.5	74	33	30	8	8	M10	18	113	33	85	30	8	8	M10	18	13
		6.4																						
		8																						
		9.5																						
		10																						
		12																						
		12.7																						
		13.5																						
		14																						
		15																						
		16																						
17.2																								
18																								
19																								
20																								
21.3																								
22																								
25																								
26.9																								
28																								
30																								
30																								
32																								
33.7																								
35																								
38																								
40																								
42																								
38																								
42																								
44.5																								
48.3																								
50.8																								
55																								
57																								
60.3																								
63.5																								
65																								
70																								
4S	2	70	70	45	48	0.6 min	30.5	86	45	30	8	8	M10	18	125	45	97	30	8	8	M10	18	13	
		19																						
		20																						
		21.3																						
		22																						
		25																						
		26.9																						
		28																						
		30																						
		30																						
		32																						
33.7																								
35																								
38																								
40																								
42																								
38																								
42																								
44.5																								
48.3																								
50.8																								
55																								
57																								
60.3																								
63.5																								
65																								
70																								
5S	3	85	85	60	60	0.6 min	30.5	100	60	30	8	8	M10	18	140	60	112	30	8	8	M10	18	13	
		19																						
		20																						
		21.3																						
		22																						
		25																						
		26.9																						
		28																						
		30																						
		30																						
		32																						
33.7																								
35																								
38																								
40																								
42																								
38																								
42																								
44.5																								
48.3																								
50.8																								
55																								
57																								
60.3																								
63.5																								
65																								
70																								
6S	4	115	120	90	89	2 min	45	140	90	45	10	8	M12	20	187	90	155	45	10	8	M12	20	16	
		19																						
		20																						
		21.3																						
		22																						
		25																						
		26.9																						
		28																						
		30																						
		30																						
		32																						
33.7																								
35																								
38																								
40																								
42																								
38																								
42																								
44.5																								
48.3																								
50.8																								
55																								
57																								
60.3																								
63.5																								
65																								
70																								

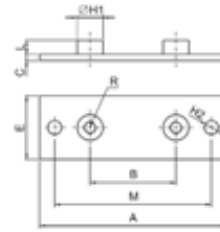
ABRAZADERAS TUBE CLAMPS



BODY



SPAL



SPAL/DÜB

161

Grupo GROUP	DIN	TUBO Pipe ØD	CUERPO BODY						SPAL							SPAL / DÜB								
			A		B	E	C	anchura width	A	B	E	C	L	R	ØH	A	B	M	E	C	L	R	ØH1	ØH2
			PP/PA	AL																				
7S	5	65	152	150	122	120	2 min	60	180	122	60	10	12	M16	24	238	122	198	60	10	12	M16	24	21
		70																						
		73																						
		75																						
		76.1																						
		80																						
		82.5																						
8S	6	88.9	206	208	168	167	2 min	80	226	168	80	15	18	M20	30	309	168	259	80	15	18	M20	30	26
		88.9																						
		100																						
		102																						
		108																						
		114																						
		127																						
9S	7	133	251	255	205	200	3 min	91	270	205	90	15	21	M24	35	370	205	310	90	15	21	M24	35	31
		133																						
		140																						
		152																						
		159																						
		165																						
		168																						
10S	8	177.8	336	326	265	270	3 min	120	340	265	120	25	21	M30	45	440	265	380	120	25	21	M30	45	31
		193.7																						
		216																						
		219																						
		219																						
		273																						
		324																						
11S	9	356	470	470	395	410	8 min	162	520	395	160	30	38	M30	50	590	395	530	160	30	38	M30	50	31
		219																						
		273																						
12S	10	324	630	630	534	530	20 min	182	680	534	180	30	38	M30	50	750	534	690	180	30	38	M30	50	31
		356																						
		406 (max. 425)																						

Serie Pesada

Heavy Series

ABRAZADERAS TUBE CLAMPS



STS



GMV



DPAL



AS



IS



AF



SIP

162

Serie pesada

Heavy Series

Grupo GROUP	DIN	TUBO Pipe	STS				GMV						DPAL				AS	IS	AF					SIP								
			ØD	A	B	L	C	ØH2	ØH1	A	B	C	R	A	B	E	C	ØH	RxL	RxL	R	N	L	M	S	A	E	D	B	C		
3S	1	6																														
		6.4																														
		8																														
		9.5																														
		10																														
		12																														
		12.7												55	33	30	8	11	M10x45	M10x30	M10	49	25	15 min.	15	56	13	30	15	8		
		13.5																														
		14																														
		15																														
		16																														
17.2																																
18																																
4S	2	19					17.8	24	21.5	15.5	9	M10																				
		20																														
		21.3																														
		22											70	45	30	8	11	M10x60	M10x40	M10	65	40	15 min.	15	70	26	30	15	8			
		25																														
		26.9																														
5S	3	28	40	14	22	5																										
		30																														
		30																														
		32																														
		33.7																														
		35											85	60	30	8	11	M10x70	M10x50	M10	77	51	15 min.	15	85	40	30	15	8			
		38																														
6S	4	40																														
		42																														
		38																														
		42																														
		44.5																														
		48.3																														
		50.8																														
		55						19.8	24	23	15	9	M12	115	90	45	10	14	M12x100	M12x80	M12	110	82	18 min.	17	116	69	45	17	10		
		57																														
		60.3																														
70																																

ABRAZADERAS TUBE CLAMPS



STS

GMV

DPAL

AS

IS

AF

SIP

Grupo GROUP	DIN	TUBO Pipe ØD	STS				GMV					DPAL				AS	IS	AF					SIP						
			A	B	L	C	ØH2	ØH1	A	B	C	R	A	B	E	C	ØH	RxL	RxL	R	N	L	M	S	A	E	D	B	C
7S	5	65																											
		70																											
		73																											
		75																											
		76.1																											
		80																											
		82.5																											
8S	6	88.9																											
		100																											
		102																											
		108																											
		114																											
		127																											
9S	7	133																											
		140																											
		152																											
		159																											
		165																											
10S	8	168																											
		177.8																											
		193.7																											
		216																											
11S	9	219																											
		273																											
12S	10	324																											
		356																											
		406 (max. 425)																											

Serie Pesada

Heavy Series



METALAL

MANGUERAS

HOSES

MANGUERAS – HOSES



1SN
p.177



2SN
p.178



1SN PM
p.179



2SN PM
p.180



1SN HITEMP
p.181



1ST
p.182



2ST
p.183



1SC
p.184



2SC
p.185



4SP
p.186



4SH
p.187



R12
p.188



R13
p.189



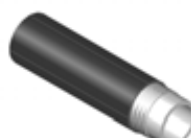
R15
p.190



R7
p.191



R7 PARALELA
p.192



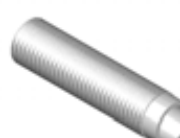
ME-1
p.193



ME-2 PARALELA
p.194



SUPERSERVICE 2AT
p.195



TEFLON LISO
p.196



TEFLON CORRUGADO
p.197



1TE
p.198



2TE
p.199



3TE
p.200



AH1
p.201



ATH
p.202



AH2
p.203



LN20 INDUSTRIAL
p.204



CODACORD 1900
p.205



CODACORD 2200
p.206



FLEXADUX
p.207



SPRINGVIN
p.208



PUSH LOCK
p.209

La manguera hidráulica (latiguillo) tiene una limitada vida, dependiendo de las condiciones de trabajo a la que es sometida (ej.: si una manguera es utilizada constantemente a su máxima presión de trabajo, su vida laboral se verá reducida comparando con otra manguera que es utilizada a una presión menor). Por ello, a continuación se desglosan las condiciones a tener en cuenta para poder tener un rendimiento óptimo de los latiguillos y sus componentes:

The hydraulic hose (flexible hose) has a limited working life, depending on the conditions to which it is subjected (e.g.: if a hose is constantly used at its maximum pressure of work, its working life will be reduced compared with another hose that is used at a lesser pressure). Due to this, a list is given below of the conditions to take into account in order to gain optimum performance from the flexible hoses and its components:

1.- Presión de trabajo

1.- Pressure of work

Es importante conocer la presión de trabajo del sistema, ya que determinará la manguera a elegir, porque lo contrastaremos con su presión máxima de trabajo. La presión del sistema deberá de ser inferior a la presión de trabajo de la manguera. También hay que tener en cuenta la presión de trabajo de los terminales, ya que su elección se realizará igual que la manguera.

It is important to know the pressure of work on the system, since this will decide which hose to choose, as it is contrasted with its maximum pressure of work. The pressure in the system must be less than the pressure of work for the hose. The pressure of work on the terminals must also be taken into account, as these will be chosen in the same way as the hose.

2.- Golpes de presión (golpes de ariete)

2.- Pressure surge (water hammer)

Hay que tener en cuenta en líneas que existan golpes de presión, que cuando haya que elegir la manguera habrá que tener en cuenta este dato y por lo tanto deberá de elegirse una manguera con un factor de seguridad más elevado con relación a la presión máxima de trabajo.

With lines subject to pressure surge, it must be remembered that when choosing the hose, this datum must be taken into account, and therefore a hose with a higher safety factor in relation to the maximum pressure of work must be chosen.

3.- Temperatura

3.- Temperature

Para tener en consideración la temperatura, es muy importante tener en cuenta tanto la temperatura del fluido como la temperatura ambiente en la que se encuentra la manguera.

Se debe de evitar trabajar en una temperatura tanto máxima como mínima de trabajo y a unas presiones muy elevadas, ya que puede reducir muy considerablemente la vida de la manguera.

When setting the temperature, it is very important to take into account both the temperature of the fluid and the ambient temperature surrounding the hose.

Working at either maximum or minimum temperatures and at very high pressure must be avoided, as it could reduce the life of the hose considerably.

4.- Compatibilidad de fluidos

4.- Compatibility of fluids

Cuando se seleccione la manguera, es importante tener en cuenta la compatibilidad del tubo interior, la cubierta, el refuerzo y los accesorios con el fluido que vaya a ser utilizado. Hay que tener en cuenta cada manguera que fluidos pueden ser compatibles con él y seleccionar el óptimo.

When choosing the hose, it is important to remember compatibility of the interior tube, the cover, the reinforcement and accessories with the fluid that is to be used. Take into account which fluids can be compatible with each hose, and select the best.

170

5.- Limpieza de mangueras

5.- Cleaning the hoses

Es de vital importancia tener limpias las mangueras una vez montadas, para evitar que existan partículas que puedan dañar el circuito.

It is vitally important to keep the hoses clean once they have been fitted, to prevent particles from damaging the circuit.

Para realizar una correcta instalación de un latiguillo, hay que seguir los consejos que a continuación se enuncian:

In order to fit the hoses correctly, follow the advice given below:

1.- Inspección antes del montaje

1.- Inspection before fitting

Hay que observar si la manguera tiene algún corte, alguna anomalía, alguna partícula en su interior, etc. Además es conveniente conocer si la longitud es correcta, el tamaño de la manguera, etc.

Check to see if the hose has any cuts, faults or particles inside, etc. The correct length, size etc. of the hose should also be known.

171

2.- Accesorios a montar

2.- Accessories to be fitted

Montar los accesorios suministrados o aconsejados por INDUSTRIAS METALA, S.L. en la manguera elegida.

Fit the accessories supplied or recommended by INDUSTRIAS METALA, S.L. to the selected hose.

3.- Accesorios reusados

3.- Re-used accessories

No volver a utilizar terminales que han sido prensados en algún latiguillo y los cuales se pretende recuperar, ya que se desconoce el comportamiento que ha tenido el accesorio y además el terminal se ha deformado.

Do not re-use terminals that have been pressed in a hose and which it is thought might be used again, as the performance of the accessory is not known, and the terminal has been deformed.

4.- Radio mínimo de curvatura

4.- Minimum curve radius

Es importante no reducir el radio mínimo de curvatura del estipulado en cada manguera, ya que podría reducir muy considerablemente su vida útil.

It is important not to reduce the minimum curve from that set for each hose, as this may reduce its useful life considerably.

5.- Seguridad

5.- Safety

Es probable que en algunas instalaciones se exijan ciertas reglas de seguridad por si un latiguillo pudiese romperse. Para ello existen ciertos sistemas de seguridad, los cuales están contemplados en este catálogo. Si tuviese alguna duda al respecto no dude en ponerse en contacto con el servicio técnico de INDUSTRIAS METALA, S.L..

Some installations will probably demand certain safety precautions in case a hose should break. There are certain safety systems for this, which are included in this catalogue. If you have any queries about these, please do not hesitate to contact the technical support department at INDUSTRIAS METALA S.L.

6.- Chequeo del sistema

6.- Checking the system

172

Una vez instalado el latiguillo, es recomendable probar aumentando la presión suavemente hasta llegar a su presión de trabajo para observar si existen fugas u otras consideraciones que pudiesen ser observadas. Durante esta acción es importante que no haya personal alrededor del sistema, para evitar posibles problemas.

Once the flexible hose has been fitted, it is recommended to try increasing the pressure gently until reaching the pressure of work, in order to find out if there are any leaks or other faults. When carrying out this operation, it is important to ensure that there are no staff near the system, to prevent any problems from arising.

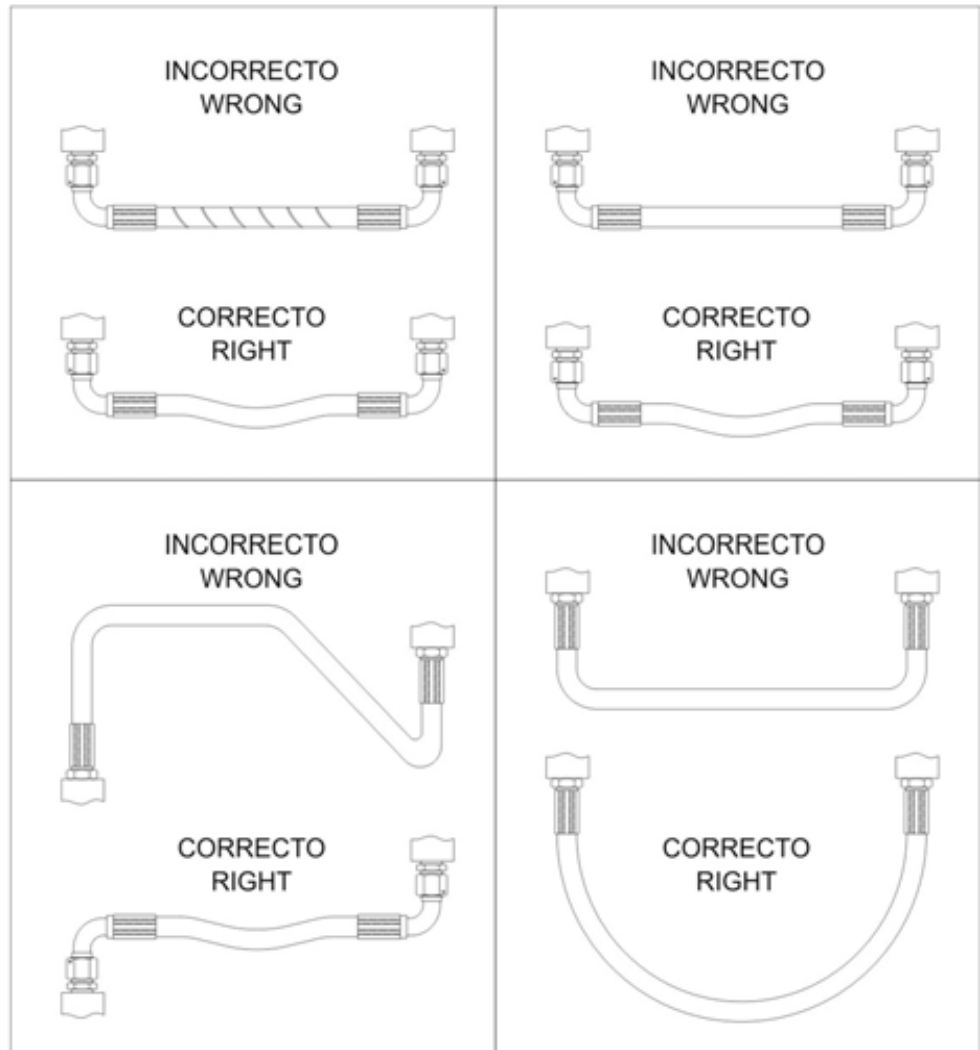
Instrucciones de montaje de latiguillos

Instructions for fitting flexible hoses

Para una correcta instalación de los latiguillos adquiere una gran relevancia la forma en la que se va a montar el producto, ya que su inadecuado montaje puede producir una disminución de vida del latiguillo .

The method used for fitting a hose is very important to ensure that it is fitted correctly, as the working life of a hose can be reduced by being fitted wrongly.

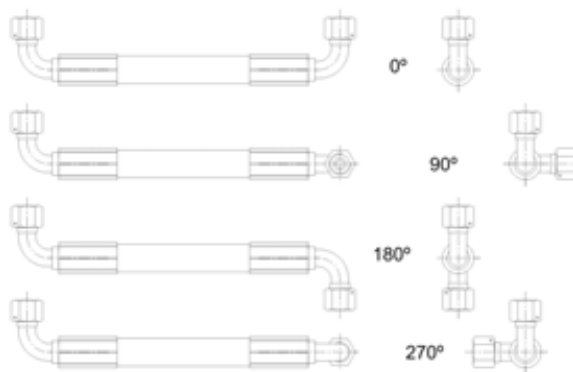
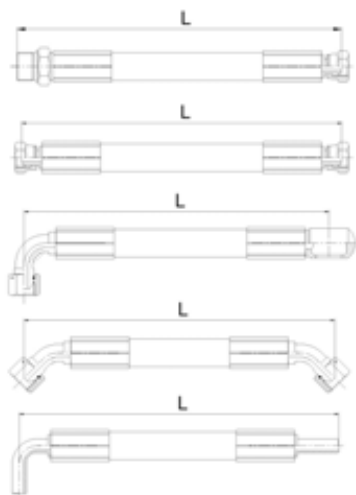
- 1.- Las mangueras sometidas a presión pueden cambiar en longitud. Por ello es importante que un latiguillo sea montado sin tensión, es decir, que su aspecto una vez montada en la línea no parezca que vaya a estirarse. El ratio de alargamiento permitido es entre 2% y 4%.
1.- Hoses subjected to pressure can change in length. Therefore, it is important that the flexible hose is fitted without strain, which means that , once mounted in the line, it does not appear that it is going to stretch. The ratio of elongation allowed is between 2% and 4%.
- 2.- Para un montaje de un sistema curvado, es importante dejar suficiente longitud de manguera para poder tener un arco abierto. Para ello es vital, que el montador del latiguillo conozca los accesorios que se pueden montar (codos, bridas, etc.) con el fin de lograr un óptimo montaje.
2.- When mounting a curved system, it is important to leave a sufficient length of hose to obtain an open arc. Therefore, it is essential for the fitter to be aware of the accessories that can be used (elbows, flanges, etc.) in order to mount as best possible.
- 3.- Cuando se monta un latiguillo y la manguera tiende a girar, puede producirse que cuando tenga presión el circuito, pueda aflojar las tuercas e incluso que la manguera se deteriore.
3.- When a flexible hose is mounted and the hose tends to rotate, which may happen when there is pressure in the circuit, this may loosen the nuts and the hose may be damaged.
- 4.- Es importante diseñar las conducciones de fluidos, con el fin de que las piezas que estén sometidas a movimientos y el latiguillo que esté instalado no sobrepase el radio mínimo de curvatura, para poder así alargar la vida de la manguera.
4.- It is important to design the fluid conduits so that moving parts and the flexible hose fitted do not exceed the minimum radius for the curve, in order to extend the life of the hose.



Pedidos de latiguillos Flexible hoses orders

Para realizar un pedido de latiguillos hay que tener en consideración tanto la longitud como la posición del terminal tal como se muestra en los siguientes dibujos.

To make a flexible hoses order must take into account the length as well as the position of the fitting as it is indicated on the next drawings.



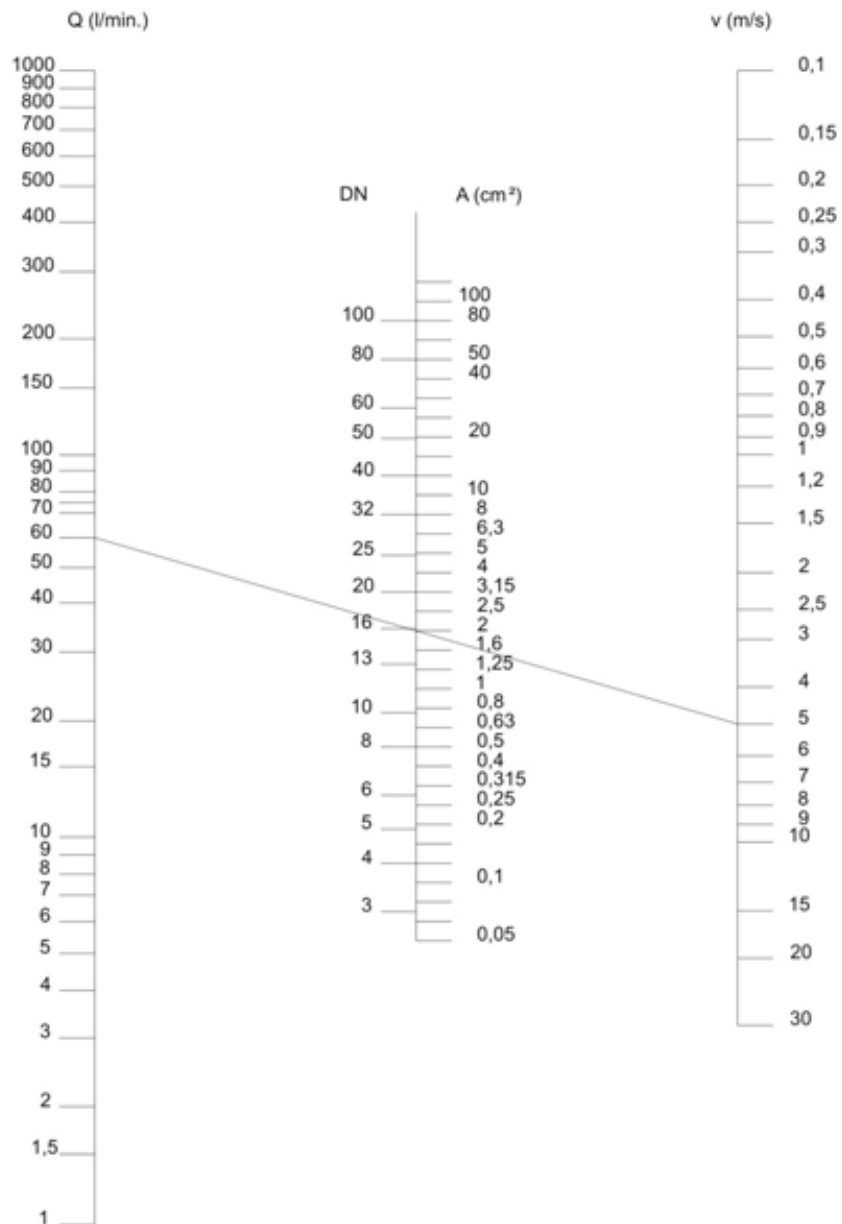
175

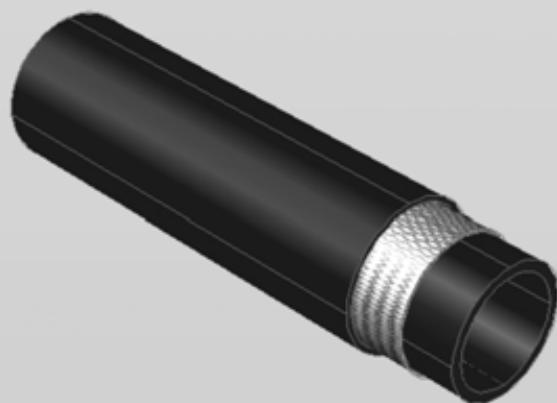
Nomograma para determinar el diámetro nominal de la manguera Nomograph to determine the nominal diameter of the hose

Con este nomograma se puede elegir el diámetro nominal de la manguera. Para ello es necesario conocer la velocidad como el caudal del fluido y mediante la unión de las dos pautas conoceremos el diámetro nominal de la manguera. Esto se define según el nomograma adjunto.

This nomograph is used to choose the nominal diameter of the hose. It is necessary to know the speed and flow of the fluid and these two data give the nominal diameter of the hose. This is specified according to the following diagram.

176





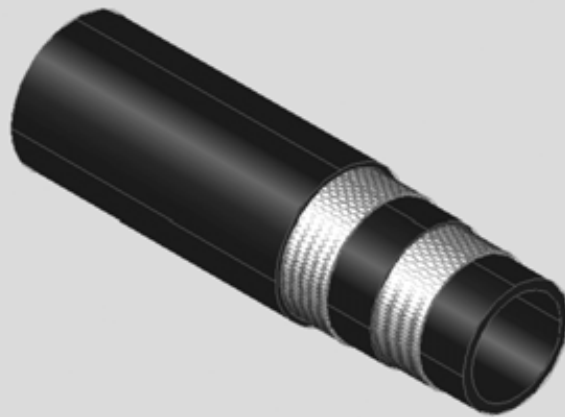
1SN

177

Norma:	EN 853	Standard:	EN 853
Tubo interior:	Caucho sintético liso resistente al aceite y al agua	Inner tube:	Oil and water resistant synthetic rubber
Tubo exterior:	Caucho sintético resistente al aceite e intemperie	Outer tube:	Oil and weather resistant Synthetic rubber
Refuerzo:	1 trenzado de alambre de alta resistencia	Reinforcement:	1 high tensile braid
Temperatura:	Desde -40°C (-40°F) hasta 100°C (212°F)	Temperature:	From -40°C (-40°F) to 100°C (212°F)
Aplicaciones:	Para presiones bajas y medias	Application:	For low and medium pressures
Fluidos recomendados:	Aceites minerales, vegetales y aceites de colza, aceites basados en glicol y poliglicol, aceites basados en ester sintético, aceites en emulsión acuosa, agua, gasoil (hasta 93°C)	Recommended fluids:	Mineral oils, vegetable and rapeseed oils, Glycol and polyglycol based oils, synthetic ester based oils, oils in aqueous emulsion, water, diesel oil (up to 93°C)

CÓDIGO	MÓDULO	DIÁMETRO NOMINAL INCH	DIÁMETRO INTERIOR MM	DIÁMETRO EXTERIOR MM	PRESIÓN TRABAJO BAR	PRESIÓN ROTURA BAR	RADIO MÍNIMO CURVATURA MM	PESO KG./MTS.
CODE	DN	HOSE SIZE INCH	INSIDE DIAMETER MM	OUTSIDE DIAMETER MM	WORKING PRESSURE BAR	BURST PRESSURE BAR	MIN. BEND RADIUS MM	WEIGHT KG./MTS.
0440170050	5	3/16"	4,8	11,8	250	1000	90	0,186
0440170060	6	1/4"	6,4	13,4	225	900	100	0,226
0440170080	8	5/16"	8,0	15,0	215	850	115	0,265
0440170100	10	3/8"	9,5	17,4	180	720	130	0,335
0440170120	12 (13)	1/2"	12,7	20,6	160	640	180	0,415
0440170160	16	5/8"	16,0	23,7	130	520	200	0,496
0440170200	20	3/4"	19,0	27,7	105	420	240	0,638
0440170250	25	1"	25,4	35,6	88	350	300	0,980
0440170320	32	1"1/4	31,8	43,5	63	250	420	1,207
0440170400	40	1"1/2	38,1	50,6	50	200	500	1,560
0440170500	50	2"	50,8	64,0	40	160	630	2,108

MANGUERAS HOSES

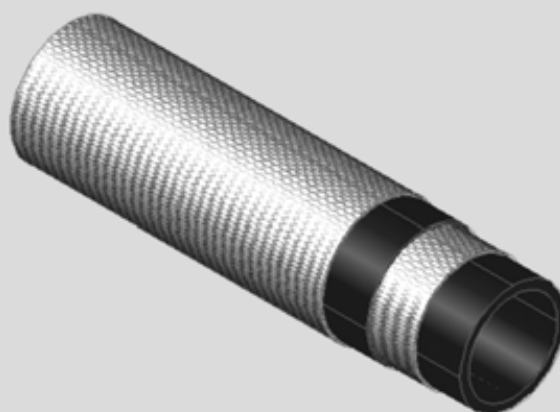


178

2SN

Norma:	EN 853	Standard:	EN 853
Tubo interior:	Caucho sintético liso resistente al aceite y al agua	Inner tube:	Oil and water resistant synthetic rubber
Tubo exterior:	Caucho sintético resistente al aceite e intemperie	Outer tube:	Oil and weather resistant Synthetic rubber
Refuerzo:	2 trenzados de alambre de alta resistencia	Reinforcement:	2 high tensile braids
Temperatura:	Desde -40°C (-40°F) hasta 100°C (212°F)	Temperature:	From -40°C (-40°F) to 100°C (212°F)
Aplicaciones:	Para presiones medias y altas	Application:	For medium and high pressures
Fluidos recomendados:	Aceites minerales, vegetales y aceites de colza, aceites basados en glicol y poliglicol, aceites basados en ester sintético, aceites en emulsión acuosa, agua, gasoil (hasta 93°C)	Recommended fluids:	Mineral oils, vegetable and rapeseed oils, Glycol and polyglycol based oils, synthetic ester based oils, oils in aqueous emulsion, water, diesel oil (up to 93°C)

CÓDIGO	MÓDULO	DIÁMETRO NOMINAL INCH	DIÁMETRO INTERIOR MM	DIÁMETRO EXTERIOR MM	PRESIÓN TRABAJO BAR	PRESIÓN ROTURA BAR	RADIO MÍNIMO CURVATURA MM	PESO KG./MTS.
CODE	DN	HOSE SIZE INCH	INSIDE DIAMETER MM	OUTSIDE DIAMETER MM	WORKING PRESSURE BAR	BURST PRESSURE BAR	MIN. BEND RADIUS MM	WEIGHT KG./MTS.
0440180050	5	3/16"	4,8	13,4	415	1650	90	0,289
0440180060	6	1/4"	6,4	15,0	400	1600	100	0,376
0440180080	8	5/16"	8,0	16,6	350	1400	115	0,412
0440180100	10	3/8"	9,5	19,0	330	1320	130	0,519
0440180120	12 (13)	1/2"	12,7	22,2	275	1100	180	0,630
0440180160	16	5/8"	16,0	25,4	250	1000	200	0,780
0440180200	20	3/4"	19,0	29,3	215	850	240	0,959
0440180250	25	1"	25,4	38,1	165	650	300	1,409
0440180320	32	1"1/4	31,8	48,3	125	500	420	2,059
0440180400	40	1"1/2	38,1	54,6	90	360	500	2,385
0440180500	50	2"	50,8	67,3	80	320	630	3,050



1SN PM

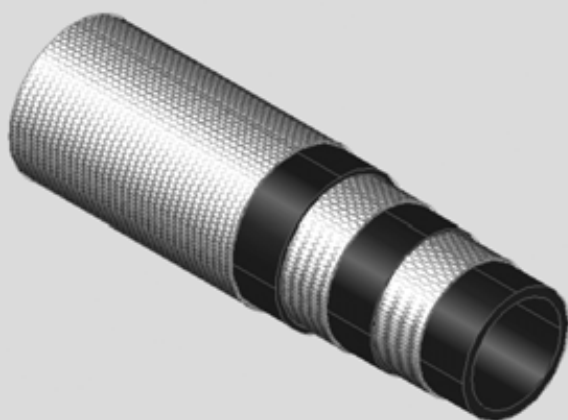
179

Norma: EN 853
Tubo interior: Caucho sintético liso resistente al aceite y al agua
Tubo exterior: Caucho sintético resistente al aceite e intemperie
Refuerzo: 1 trenzado de alambre de alta resistencia
Recubrimiento: Alambre galvanizado
Temperatura: Desde -40°C (-40°F) hasta 100°C (212°F)
Aplicaciones: Para presiones bajas y medias
Fluidos recomendados: Aceites minerales, vegetales y aceites de colza, aceites basados en glicol y poliglicol, aceites basados en ester sintético, aceites en emulsión acuosa, agua, gasoil (hasta 93°C)

Standard: EN 853
Inner tube: Oil and water resistant synthetic rubber
Outer tube: Oil and weather resistant Synthetic rubber
Reinforcement: 1 high tensile braid
Covering: Galvanized wire
Temperature: From -40°C (-40°F) to 100°C (212°F)
Application: For low and medium pressures
Recommended fluids: Mineral oils, vegetable and rapeseed oils, Glycol and polyglycol based oils, synthetic ester based oils, oils in aqueous emulsion, water, diesel oil (up to 93°C)

CÓDIGO	MÓDULO	DIÁMETRO NOMINAL INCH	DIÁMETRO INTERIOR MM	DIÁMETRO EXTERIOR MM	PRESIÓN TRABAJO BAR	PRESIÓN ROTURA BAR	RADIO MÍNIMO CURVATURA MM	PESO KG./MTS.
CODE	DN	HOSE SIZE INCH	INSIDE DIAMETER MM	OUTSIDE DIAMETER MM	WORKING PRESSURE BAR	BURST PRESSURE BAR	MIN. BEND RADIUS MM	WEIGHT KG./MTS.
0440190050	5	3/16"	4,8	12,8	250	1000	90	0,302
0440190060	6	1/4"	6,4	14,4	225	900	100	0,356
0440190080	8	5/16"	8,0	16,0	215	850	115	0,406
0440190100	10	3/8"	9,5	18,4	180	720	130	0,510
0440190120	12 (13)	1/2"	12,7	21,6	160	640	180	0,630
0440190160	16	5/8"	16,0	24,7	130	520	200	0,741
0440190200	20	3/4"	19,0	28,7	105	420	240	0,908
0440190250	25	1"	25,4	36,6	88	350	300	1,345
0440190320	32	1"1/4	31,8	44,5	63	250	420	1,637
0440190400	40	1"1/2	38,1	51,6	50	200	500	2,060
0440190500	50	2"	50,8	65,0	40	160	630	2,808

MANGUERAS HOSES



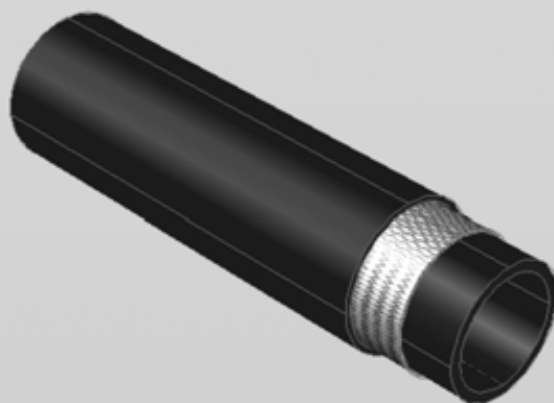
180

2SN PM

Norma: EN 853
Tubo interior: Caucho sintético liso resistente al aceite y al agua
Tubo exterior: Caucho sintético resistente al aceite e intemperie
Refuerzo: 2 trenzados de alambre de alta resistencia
Recubrimiento: Alambre galvanizado
Temperatura: Desde -40°C (-40°F) hasta 100°C (212°F)
Aplicaciones: Para presiones medias y altas
Fluidos recomendados: Aceites minerales, vegetales y aceites de colza, aceites basados en glicol y poliglicol, aceites basados en ester sintético, aceites en emulsión acuosa, agua, gasoil (hasta 93°C)

Standard: EN 853
Inner tube: Oil and water resistant synthetic rubber
Outer tube: Oil and weather resistant Synthetic rubber
Reinforcement: 2 high tensile braids
Covering: Galvanized wire
Temperature: From -40°C (-40°F) to 100°C (212°F)
Application: For medium and high pressures
Recommended fluids: Mineral oils, vegetable and rapeseed oils, Glycol and polyglycol based oils, synthetic ester based oils, oils in aqueous emulsion, water, diesel oil (up to 93°C)

CÓDIGO	MÓDULO	DIÁMETRO NOMINAL INCH	DIÁMETRO INTERIOR MM	DIÁMETRO EXTERIOR MM	PRESIÓN TRABAJO BAR	PRESIÓN ROTURA BAR	RADIO MÍNIMO CURVATURA MM	PESO KG./MTS.
CODE	DN	HOSE SIZE INCH	INSIDE DIAMETER MM	OUTSIDE DIAMETER MM	WORKING PRESSURE BAR	BURST PRESSURE BAR	MIN. BEND RADIUS MM	WEIGHT KG./MTS.
0440200050	5	3/16"	4,8	14,4	415	1650	90	0,419
0440200060	6	1/4"	6,4	16,0	400	1600	100	0,517
0440200080	8	5/16"	8,0	17,6	350	1400	115	0,572
0440200100	10	3/8"	9,5	20,0	330	1320	130	0,707
0440200120	12 (13)	1/2"	12,7	23,2	275	1100	180	0,865
0440200160	16	5/8"	16,0	26,4	250	1000	200	1,040
0440200200	20	3/4"	19,0	30,3	215	850	240	1,239
0440200250	25	1"	25,4	39,1	165	650	300	1,814
0440200320	32	1"1/4	31,8	49,3	125	500	420	2,544
0440200400	40	1"1/2	38,1	55,6	90	360	500	2,940
0440200500	50	2"	50,8	68,3	80	320	630	3,850



1SN HITEMP

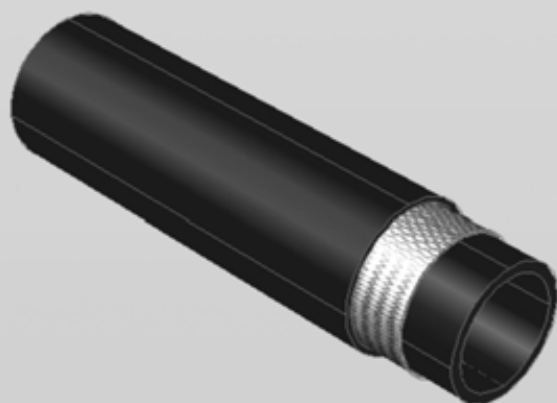
181

Norma: EN 853
Tubo interior: Caucho sintético liso resistente al aceite y al agua
Tubo exterior: Caucho sintético resistente al aceite e intemperie
Refuerzo: 1 trenzado de alambre de alta resistencia
Temperatura: Desde -40°C (-40°F) hasta 135°C (275°F)
Aplicaciones: Para presiones bajas y medias
Fluidos recomendados: Aceites minerales, vegetales y aceites de colza, aceites basados en glicol y poliglicol, aceites basados en ester sintético, aceites en emulsión acuosa, agua, gasoil (hasta 93°C)

Standard: EN 853
Inner tube: Oil and water resistant synthetic rubber
Outer tube: Oil and weather resistant Synthetic rubber
Reinforcement: 1 high tensile braid
Temperature: From -40°C (-40°F) to 135°C (275°F)
Application: For low and medium pressures
Recommended fluids: Mineral oils, vegetable and rapeseed oils, Glycol and polyglycol based oils, synthetic ester based oils, oils in aqueous emulsion, water, diesel oil (up to 93°C)

CÓDIGO	MÓDULO	DIÁMETRO NOMINAL INCH	DIÁMETRO INTERIOR MM	DIÁMETRO EXTERIOR MM	PRESIÓN TRABAJO BAR	PRESIÓN ROTURA BAR	RADIO MÍNIMO CURVATURA MM	PESO KG./MTS.
CODE	DN	HOSE SIZE INCH	INSIDE DIAMETER MM	OUTSIDE DIAMETER MM	WORKING PRESSURE BAR	BURST PRESSURE BAR	MIN. BEND RADIUS MM	WEIGHT KG./MTS.
0440210050	5	3/16"	4,8	11,8	250	1000	90	0,186
0440210060	6	1/4"	6,4	13,4	225	900	100	0,226
0440210080	8	5/16"	8,0	15,0	215	850	115	0,265
0440210100	10	3/8"	9,5	17,4	180	720	130	0,335
0440210120	12 (13)	1/2"	12,7	20,6	160	640	180	0,415
0440210160	16	5/8"	16,0	23,7	130	520	200	0,496
0440210200	20	3/4"	19,0	27,7	105	420	240	0,638
0440210250	25	1"	25,4	35,6	88	350	300	0,980
0440210320	32	1"1/4	31,8	43,5	63	250	420	1,207
0440210400	40	1"1/2	38,1	50,6	50	200	500	1,560
0440210500	50	2"	50,8	64,0	40	160	630	2,108

MANGUERAS HOSES



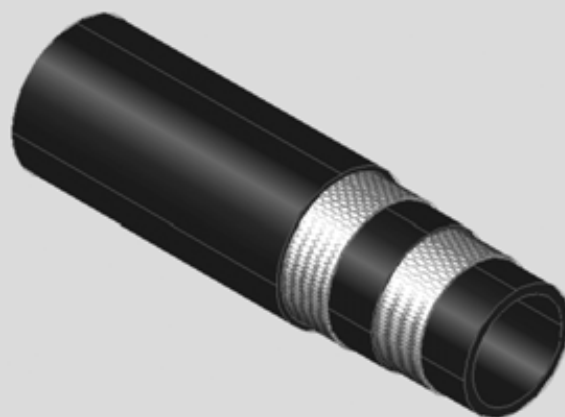
182

1ST

Norma: EN 853
Tubo interior: Caucho sintético liso resistente al aceite y al agua
Tubo exterior: Caucho sintético resistente al aceite e intemperie
Refuerzo: 1 trenzado de alambre de alta resistencia
Temperatura: Desde -40°C (-40°F) hasta 100°C (212°F)
Aplicaciones: Para presiones bajas y medias
Fluidos recomendados: Aceites minerales, vegetales y aceites de colza, aceites basados en glicol y poliglicol, aceites basados en ester sintético, aceites en emulsión acuosa, agua, gasoil (hasta 93°C)

Standard: EN 853
Inner tube: Oil and water resistant synthetic rubber
Outer tube: Oil and weather resistant Synthetic rubber
Reinforcement: 1 high tensile braid
Temperature: From -40°C (-40°F) to 100°C (212°F)
Application: For low and medium pressures
Recommended fluids: Mineral oils, vegetable and rapeseed oils, Glycol and polyglycol based oils, synthetic ester based oils, oils in aqueous emulsion, water, diesel oil (up to 93°C)

CÓDIGO	MÓDULO	DIÁMETRO NOMINAL INCH	DIÁMETRO INTERIOR MM	DIÁMETRO EXTERIOR MM	PRESIÓN TRABAJO BAR	PRESIÓN ROTURA BAR	RADIO MÍNIMO CURVATURA MM	PESO KG./MTS.
CODE	DN	HOSE SIZE INCH	INSIDE DIAMETER MM	OUTSIDE DIAMETER MM	WORKING PRESSURE BAR	BURST PRESSURE BAR	MIN. BEND RADIUS MM	WEIGHT KG./MTS.
0440000050	5	3/16"	4,8	12,7	250	1000	90	0,210
0440000060	6	1/4"	6,4	15,9	225	900	100	0,300
0440000080	8	5/16"	8,0	17,5	215	850	115	0,350
0440000100	10	3/8"	9,5	19,8	180	720	130	0,430
0440000120	12 (13)	1/2"	12,7	23,0	160	640	180	0,540
0440000160	16	5/8"	16,0	26,2	130	520	200	0,640
0440000200	20	3/4"	19,0	30,2	105	420	240	0,800
0440000250	25	1"	25,4	38,1	88	350	300	1,170
0440000320	32	1"1/4	31,8	46,0	63	250	420	1,450
0440000400	40	1"1/2	38,1	52,4	50	200	500	1,770
0440000500	50	2"	50,8	66,7	40	160	630	2,505



2ST

183

Norma: EN 853
Tubo interior: Caucho sintético liso resistente al aceite y al agua
Tubo exterior: Caucho sintético resistente al aceite e intemperie
Refuerzo: 2 trenzados de alambre de alta resistencia
Temperatura: Desde -40°C (-40°F) hasta 100°C (212°F)
Aplicaciones: Para presiones medias y altas
Fluidos recomendados: Aceites minerales, vegetales y aceites de colza, aceites basados en glicol y poliglicol, aceites basados en ester sintético, aceites en emulsión acuosa, agua, gasoil (hasta 93°C)

Standard: EN 853
Inner tube: Oil and water resistant synthetic rubber
Outer tube: Oil and weather resistant Synthetic rubber
Reinforcement: 2 high tensile braids
Temperature: From -40°C (-40°F) to 100°C (212°F)
Application: For medium and high pressures
Recommended fluids: Mineral oils, vegetable and rapeseed oils, Glycol and polyglycol based oils, synthetic ester based oils, oils in aqueous emulsion, water, diesel oil (up to 93°C)

CÓDIGO	MÓDULO	DIÁMETRO NOMINAL INCH	DIÁMETRO INTERIOR MM	DIÁMETRO EXTERIOR MM	PRESIÓN TRABAJO BAR	PRESIÓN ROTURA BAR	RADIO MÍNIMO CURVATURA MM	PESO KG./MTS.
CODE	DN	HOSE SIZE INCH	INSIDE DIAMETER MM	OUTSIDE DIAMETER MM	WORKING PRESSURE BAR	BURST PRESSURE BAR	MIN. BEND RADIUS MM	WEIGHT KG./MTS.
0440100050	5	3/16"	4,8	15,9	415	1650	90	0,360
0440100060	6	1/4"	6,4	17,5	400	1600	100	0,470
0440100080	8	5/16"	8,0	19,1	350	1400	115	0,510
0440100100	10	3/8"	9,5	21,4	330	1320	130	0,630
0440100120	12 (13)	1/2"	12,7	24,6	275	1100	180	0,760
0440100160	16	5/8"	16,0	27,8	250	1000	200	0,920
0440100200	20	3/4"	19,0	31,8	215	850	240	1,130
0440100250	25	1"	25,4	39,7	165	650	300	1,550
0440100320	32	1"1/4	31,8	50,8	125	500	420	2,350
0440100400	40	1"1/2	38,1	57,2	90	360	500	2,700
0440100500	50	2"	50,8	69,8	80	320	630	3,435



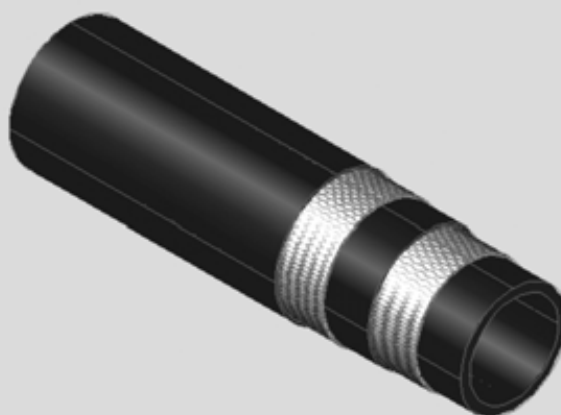
184

1SC

Norma: EN 857
Tubo interior: Caucho sintético liso resistente al aceite y al agua
Tubo exterior: Caucho sintético resistente al aceite e intemperie
Refuerzo: 1 trenzado de alambre de alta resistencia
Temperatura: Desde -40°C (-40°F) hasta 100°C (212°F)
Aplicaciones: Para presiones medias y líneas de presión con radios de curvatura reducidos
Fluidos recomendados: Aceites minerales, vegetales y aceites de colza, aceites basados en glicol y poliglicol, aceites basados en ester sintético, aceites en emulsión acuosa, agua

Standard: EN 857
Inner tube: Oil and water resistant synthetic rubber
Outer tube: Oil and weather resistant Synthetic rubber
Reinforcement: 1 high tensile braid
Temperature: From -40°C (-40°F) to 100°C (212°F)
Application: For medium pressures and pressure lines with small bending radius
Recommended fluids: Mineral oils, vegetable and rapeseed oils, Glycol and polyglycol based oils, synthetic ester based oils, oils in aqueous emulsion, water

CÓDIGO	MÓDULO	DIÁMETRO NOMINAL INCH	DIÁMETRO INTERIOR MM	DIÁMETRO EXTERIOR MM	PRESIÓN TRABAJO BAR	PRESIÓN ROTURA BAR	RADIO MÍNIMO CURVATURA MM	PESO KG./MTS.
CODE	DN	HOSE SIZE INCH	INSIDE DIAMETER MM	OUTSIDE DIAMETER MM	WORKING PRESSURE BAR	BURST PRESSURE BAR	MIN. BEND RADIUS MM	WEIGHT KG./MTS.
0441170060	6	1/4"	6,4	12,4	225	900	75	0,196
0441170080	8	5/16"	8,0	14,0	215	860	85	0,220
0441170100	10	3/8"	9,5	15,6	180	720	90	0,277
0441170120	12 (13)	1/2"	12,7	18,7	160	640	130	0,348
0441170160	16	5/8"	16,0	21,5	130	520	150	0,399
0441170200	20	3/4"	19,0	25,0	105	420	180	0,481
0441170250	25	1"	25,4	34,0	88	352	230	0,680



2SC

185

Norma:	EN 857	Standard:	EN 857
Tubo interior:	Caucho sintético liso resistente al aceite y al agua	Inner tube:	Oil and water resistant synthetic rubber
Tubo exterior:	Caucho sintético resistente al aceite e intemperie	Outer tube:	Oil and weather resistant Synthetic rubber
Refuerzo:	2 trenzados de alambre de alta resistencia	Reinforcement:	2 high tensile braids
Temperatura:	Desde -40°C (-40°F) hasta 100°C (212°F)	Temperature:	From -40°C (-40°F) to 100°C (212°F)
Aplicaciones:	Para presiones medias y líneas de alta presión con radios de curvatura reducidos	Application:	For medium pressures and high pressure lines with small bending radius
Fluidos recomendados:	Aceites minerales, vegetales y aceites de colza, aceites basados en glicol y poliglicol, aceites basados en ester sintético, aceites en emulsión acuosa, agua	Recommended fluids:	Mineral oils, vegetable and rapeseed oils, Glycol and polyglycol based oils, synthetic ester based oils, oils in aqueous emulsion, water

CÓDIGO	MÓDULO	DIÁMETRO NOMINAL INCH	DIÁMETRO INTERIOR MM	DIÁMETRO EXTERIOR MM	PRESIÓN TRABAJO BAR	PRESIÓN ROTURA BAR	RADIO MÍNIMO CURVATURA MM	PESO KG./MTS.
CODE	DN	HOSE SIZE INCH	INSIDE DIAMETER MM	OUTSIDE DIAMETER MM	WORKING PRESSURE BAR	BURST PRESSURE BAR	MIN. BEND RADIUS MM	WEIGHT KG./MTS.
0441180060	6	1/4"	6,4	13,4	400	1600	75	0,295
0441180080	8	5/16"	8,0	15,0	350	1400	85	0,345
0441180100	10	3/8"	9,5	17,4	330	1320	90	0,415
0441180120	12 (13)	1/2"	12,7	20,6	275	1100	130	0,540
0441180160	16	5/8"	16,0	23,7	250	1000	170	0,625
0441180200	20	3/4"	19,0	27,7	215	860	200	0,800
0441180250	25	1"	25,4	35,6	165	660	250	1,165



186

4SP

Norma: EN 856
Tubo interior: Caucho sintético resistente al aceite
Tubo exterior: Caucho sintético resistente al aceite e intemperie
Refuerzo: 4 trenzados de alambre de alta resistencia
Temperatura: Desde -40°C (-40°F) hasta 100°C (212°F)
Aplicaciones: Para líneas de alta presión y líneas de transmisión hidrostáticas
Fluidos recomendados: Aceites minerales, aceites basados en glicol y poliglicol, aceites basados en ester sintético, aceites en emulsión acuosa, agua

Standard: EN 856
Inner tube: Oil resistant synthetic rubber
Outer tube: Oil and weather resistant Synthetic rubber
Reinforcement: 4 high tensile braids
Temperature: From -40°C (-40°F) to 100°C (212°F)
Applications: For high pressure and hydrostatic transmission lines
Recommended fluids: Mineral oils, Glycol and polyglycol based oils, synthetic ester based oils, oils in aqueous emulsion, water,

CÓDIGO	MÓDULO	DIÁMETRO NOMINAL INCH	DIÁMETRO INTERIOR MM	DIÁMETRO EXTERIOR MM	PRESIÓN TRABAJO BAR	PRESIÓN ROTURA BAR	RADIO MÍNIMO CURVATURA MM	PESO KG./MTS.
CODE	DN	HOSE SIZE INCH	INSIDE DIAMETER MM	OUTSIDE DIAMETER MM	WORKING PRESSURE BAR	BURST PRESSURE BAR	MIN. BEND RADIUS MM	WEIGHT KG./MTS.
0440300060	6	1/4"	6,4	17,8	450	1800	150	0,615
0440300100	10	3/8"	9,5	21,4	445	1780	180	0,850
0440300120	12 (13)	1/2"	12,7	24,6	415	1660	230	0,935
0440300160	16	5/8"	16,0	28,5	350	1400	250	1,145
0440300200	20	3/4"	19,0	32,1	350	1400	300	1,554
0440300250	25	1"	25,4	39,7	280	1120	340	2,033



4SH

187

Norma: EN 856
Tubo interior: Caucho sintético resistente al aceite
Tubo exterior: Caucho sintético resistente al aceite e intemperie
Refuerzo: 4 trenzados de alambre de alta resistencia
Temperatura: Desde -40°C (-40°F) hasta 100°C (212°F)
Aplicaciones: Para líneas de alta presión y líneas de transmisión hidrostáticas
Fluidos recomendados: Aceites minerales, aceites basados en glicol y poliglicol, aceites basados en ester sintético, aceites en emulsión acuosa, agua

Standard: EN 856
Inner tube: Oil resistant synthetic rubber
Outer tube: Oil and weather resistant Synthetic rubber
Reinforcement: 4 high tensile braids
Temperature: From -40°C (-40°F) to 100°C (212°F)
Applications: For high pressure and hydrostatic transmission lines
Recommended fluids: Mineral oils, Glycol and polyglycol based oils, synthetic ester based oils, oils in aqueous emulsion, water,

CÓDIGO	MÓDULO	DIÁMETRO NOMINAL INCH	DIÁMETRO INTERIOR MM	DIÁMETRO EXTERIOR MM	PRESIÓN TRABAJO BAR	PRESIÓN ROTURA BAR	RADIO MÍNIMO CURVATURA MM	PESO KG./MTS.
CODE	DN	HOSE SIZE INCH	INSIDE DIAMETER MM	OUTSIDE DIAMETER MM	WORKING PRESSURE BAR	BURST PRESSURE BAR	MIN. BEND RADIUS MM	WEIGHT KG./MTS.
0440350200	20	3/4"	19,0	32,2	420	1680	280	1,556
0440350250	25	1"	25,4	38,7	380	1520	340	2,087
0440350320	32	1"1/4	31,8	45,5	325	1300	460	2,571
0440350400	40	1"1/2	38,1	53,5	290	1160	560	3,439
0440350500	50	2"	50,8	68,1	250	1000	700	4,903



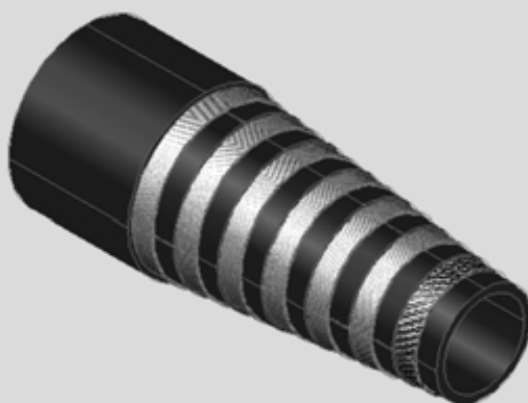
188

R12

Norma: EN 856-R12 / SAE100 R12
Tubo interior: Caucho sintético resistente al aceite
Tubo exterior: Caucho sintético resistente al aceite e intemperie
Refuerzo: 4 trenzados de alambre de alta resistencia
Temperatura: Desde -40°C (-40°F) hasta 100°C (212°F)
Aplicaciones: Para líneas de muy alta presión y líneas de transmisión hidrostáticas
Fluidos recomendados: Aceites minerales, aceites basados en glicol y poliglicol, aceites basados en ester sintético, aceites en emulsión acuosa, agua

Standard: EN 856-R12 / SAE100 R12
Inner tube: Oil resistant synthetic rubber
Outer tube: Oil and weather resistant Synthetic rubber
Reinforcement: 4 high tensile braids
Temperature: From -40°C (-40°F) to 100°C (212°F)
Applications: For very high pressure lines and hydrostatic transmission lines
Recommended fluids: Mineral oils, Glycol and polyglycol based oils, synthetic ester based oils, oils in aqueous emulsion, water,

CÓDIGO	MÓDULO	DIÁMETRO NOMINAL INCH	DIÁMETRO INTERIOR MM	DIÁMETRO EXTERIOR MM	PRESIÓN TRABAJO BAR	PRESIÓN ROTURA BAR	RADIO MÍNIMO CURVATURA MM	PESO KG./MTS.
CODE	DN	HOSE SIZE INCH	INSIDE DIAMETER MM	OUTSIDE DIAMETER MM	WORKING PRESSURE BAR	BURST PRESSURE BAR	MIN. BEND RADIUS MM	WEIGHT KG./MTS.
0440360060	10	3/8"	9,5	20,4	276	1103	127	0,631
0440360080	12	1/2"	12,7	23,5	276	1103	178	0,789
0440360120	20	3/4"	19,0	30,7	276	1103	241	1,230
0440360160	25	1"	25,4	38,0	276	1103	305	1,880
0440360200	32	1"1/4	31,8	47,0	207	827	419	2,688
0440360240	40	1"1/2	38,1	53,5	172	690	508	3,080
0440360320	50	2"	50,8	66,7	172	690	635	4,565



R13

189

Norma: EN 856-R13 / SAE100 R13
Tubo interior: Caucho sintético resistente al aceite

Tubo exterior: Caucho sintético resistente al aceite e intemperie. Caucho rojo oscuro sintético.

Refuerzo: 4 trenzados de alambre de alta resistencia (hasta tamaño 25); 6 trenzados de alambre de alta resistencia (desde tamaño 32)

Temperatura: Desde -40°C (-40°F) hasta 121°C (249,8°F)

Aplicaciones: Para líneas de muy alta presión y líneas de transmisión hidrostáticas

Fluidos recomendados: Aceites minerales, aceites basados en glicol y poliglicol, aceites basados en ester sintético, aceites en emulsión acuosa, agua

Standard: EN 856-R13 / SAE100 R13
Inner tube: Oil resistant synthetic rubber
Outer tube: Oil and weather resistant synthetic rubber. Dark red synthetic rubber.

Reinforcement: 4 high tensile wire braids (up to size 25); 6 high tensile wire braids (from size 32)

Temperature: From -40°C (-40°F) to 121°C (249,8°F)

Applications: For very high pressure lines and hydrostatic transmission lines

Recommended fluids: Mineral oils, Glycol and polyglycol based oils, synthetic ester based oils, oils in aqueous emulsion, water,

CÓDIGO	MÓDULO	DIÁMETRO NOMINAL INCH	DIÁMETRO INTERIOR MM	DIÁMETRO EXTERIOR MM	PRESIÓN TRABAJO BAR	PRESIÓN ROTURA BAR	RADIO MÍNIMO CURVATURA MM	PESO KG./MTS.
CODE	DN	HOSE SIZE INCH	INSIDE DIAMETER MM	OUTSIDE DIAMETER MM	WORKING PRESSURE BAR	BURST PRESSURE BAR	MIN. BEND RADIUS MM	WEIGHT KG./MTS.
0440370040	6	1/4"	6,4	20,6	776	3103	127	0,922
0440370060	10	3/8"	9,5	23,8	690	2758	152	1,118
0440370080	12	1/2"	12,7	27	517	2068	200	1,360
0440370120	20	3/4"	19,0	32,6	345	1380	240	1,650
0440370160	25	1"	25,4	39,2	345	1380	300	2,259
0440370200	32	1"1/4	31,8	50,4	345	1380	419	3,895
0440370240	40	1"1/2	38,1	57,9	345	1380	508	4,956
0440370320	50	2"	50,8	71,9	345	1380	635	7,087

MANGUERAS HOSES



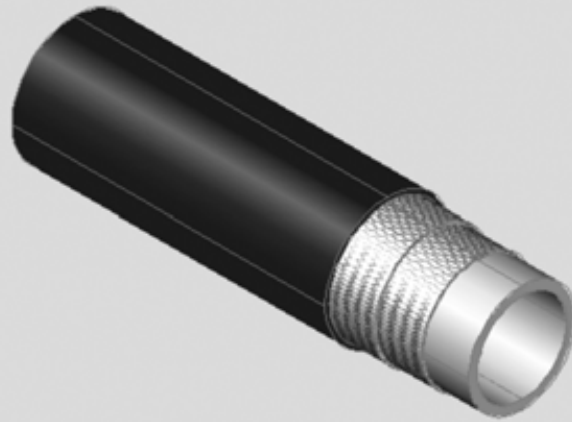
190

R15

Norma: SAE100 R15
Tubo interior: Caucho sintético resistente al aceite
Tubo exterior: Caucho sintético resistente al aceite e intemperie.
Refuerzo: 4 trenzados de alambre de alta resistencia (hasta tamaño 25); 6 trenzados de alambre de alta resistencia (desde tamaño 32)
Temperatura: Desde -40°C (-40°F) hasta 121°C (249,8°F)
Aplicaciones: Para líneas de muy alta presión y líneas de impulsos hidráulicos; líneas de transmisión hidrostáticas
Fluidos recomendados: Aceites minerales, aceites basados en glicol y poliglicol, aceites basados en ester sintético, aceites en emulsión acuosa, agua

Standard: SAE100 R15
Inner tube: Oil resistant synthetic rubber
Outer tube: Oil and weather resistant synthetic rubber.
Reinforcement: 4 high tensile wire braids (up to size 25); 6 high tensile wire braids (from size 32)
Temperature: From -40°C (-40°F) to 121°C (249,8°F)
Applications: For very high pressure lines, hydraulic impulse lines and hydrostatic transmission lines
Recommended fluids: Mineral oils, Glycol and polyglycol based oils, synthetic ester based oils, oils in aqueous emulsion, water,

CÓDIGO	MÓDULO	DIÁMETRO NOMINAL INCH	DIÁMETRO INTERIOR MM	DIÁMETRO EXTERIOR MM	PRESIÓN TRABAJO BAR	PRESIÓN ROTURA BAR	RADIO MÍNIMO CURVATURA MM	PESO KG./MTS.
CODE	DN	HOSE SIZE INCH	INSIDE DIAMETER MM	OUTSIDE DIAMETER MM	WORKING PRESSURE BAR	BURST PRESSURE BAR	MIN. BEND RADIUS MM	WEIGHT KG./MTS.
0440380120	20	3/4"	19,0	32,2	420	1655	267	1,556
0440380160	25	1"	25,4	38,7	420	1655	330	2,100
0440380200	32	1"1/4	31,8	50,4	420	1655	445	3,650
0440380240	40	1"1/2	38,1	57,9	420	1655	533	5,000



R7

191

Norma: EN 855 - R7 / SAE100 R7
Tubo interior: Poliéster termoplástico
Tubo exterior: Poliuretano
Refuerzo: 2 trenzados de fibra de poliéster
Temperatura: Desde -40°C (-40°F) hasta 100°C (212°F)
Aplicaciones: Para uso oleodinámico a media presión
Fluidos recomendados: Aceites minerales y biológicos, aceites basados en glicol y poliglicol, aceites en emulsión acuosa, agua

Standard: EN 855 - R7 / SAE100 R7
Inner tube: Thermoplastic polyester
Outer tube: Polyurethane
Reinforcement: 2 polyester fibre braids
Temperature: From -40°C (-40°F) to 100°C (212°F)
Applications: For medium pressure hydraulics
Recommended fluids: Mineral and biological oils, glycol and polyglycol based oils, oils in aqueous emulsion, water

CÓDIGO	MÓDULO	DIÁMETRO NOMINAL INCH	DIÁMETRO INTERIOR MM	DIÁMETRO EXTERIOR MM	PRESIÓN TRABAJO BAR	PRESIÓN ROTURA BAR	RADIO MÍNIMO CURVATURA MM	PESO KG./MTS.
CODE	DN	HOSE SIZE INCH	INSIDE DIAMETER MM	OUTSIDE DIAMETER MM	WORKING PRESSURE BAR	BURST PRESSURE BAR	MIN. BEND RADIUS MM	WEIGHT KG./MTS.
0440250030	5	3/16"	4,8	10	205	820	90	0,073
0440250040	6	1/4"	6,4	11,8	190	760	100	0,090
0440250050	8	5/16"	8	14,3	170	680	115	0,128
0440250060	10	3/8"	9,7	16	155	620	125	0,155
0440250080	12	1/2"	13	20,3	135	540	180	0,224
0440250120	20	3/4"	19,2	26,5	86	340	240	0,330
0440250160	25	1"	25,6	32,5	69	276	300	0,403



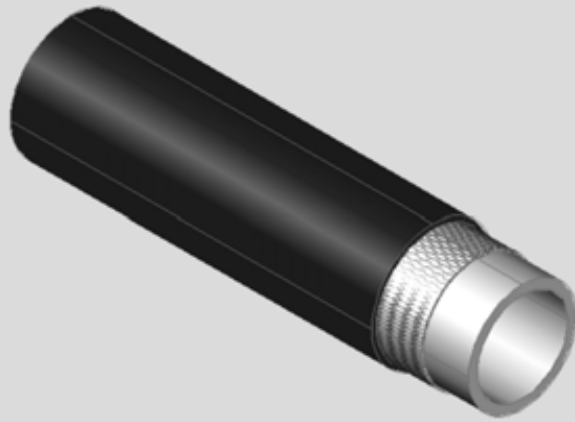
192

R7 PARALELA / PARALLEL

Norma: EN 855 - R7 / SAE100 R7
Tubo interior: Poliéster termoplástico
Tubo exterior: Poliuretano
Refuerzo: 2 trenzados de fibra de poliéster
Temperatura: Desde -40°C (-40°F) hasta 100°C (212°F)
Aplicaciones: Para uso oleodinámico a media presión
Fluidos recomendados: Aceites minerales y biológicos, aceites basados en glicol y poliglicol, aceites en emulsión acuosa, agua

Standard: EN 855 - R7 / SAE100 R7
Inner tube: Thermoplastic polyester
Outer tube: Polyurethane
Reinforcement: 2 polyester fibre braids
Temperature: From -40°C (-40°F) to 100°C (212°F)
Applications: For medium pressure hydraulics
Recommended fluids: Mineral and biological oils, glycol and polyglycol based oils, oils in aqueous emulsion, water

CÓDIGO	MÓDULO	DIÁMETRO NOMINAL INCH	DIÁMETRO INTERIOR MM	DIÁMETRO EXTERIOR MM	PRESIÓN TRABAJO BAR	PRESIÓN ROTURA BAR	RADIO MÍNIMO CURVATURA MM	PESO KG./MTS.
CODE	DN	HOSE SIZE INCH	INSIDE DIAMETER MM	OUTSIDE DIAMETER MM	WORKING PRESSURE BAR	BURST PRESSURE BAR	MIN. BEND RADIUS MM	WEIGHT KG./MTS.
0440260030	5	3/16"	4,8	10	205	820	90	0,146
0440260040	6	1/4"	6,4	11,8	190	760	100	0,180
0440260050	8	5/16"	8	14,3	170	680	115	0,256
0440260060	10	3/8"	9,7	16	155	620	125	0,310
0440260080	12	1/2"	13	20,3	135	540	180	0,448
0440260120	20	3/4"	19,2	26,5	86	340	240	0,660
0440260160	25	1"	25,6	32,5	69	276	300	0,806



ME-1

193

Norma:	---	Standard:	---
Tubo interior:	Elastómero poliéster	Inner tube:	Elastomer polyester
Tubo exterior:	Poliuretano	Outer tube:	Polyurethane
Refuerzo:	1 trenzado de alambre de alta resistencia	Reinforcement:	1 high tensile wire braid
Temperatura:	Desde -40°C (-40°F) hasta 100°C (212°F)	Temperature:	From -40°C (-40°F) to 100°C (212°F)
Aplicaciones:	Para líneas de alta presión	Applications:	For High pressure lines
Fluidos recomendados:	Fluidos con base de petróleo, sintéticos y acuosos	Recommended fluids:	Petroleum based fluids, synthetic and aqueous

CÓDIGO	MÓDULO	DIÁMETRO NOMINAL INCH	DIÁMETRO INTERIOR MM	DIÁMETRO EXTERIOR MM	PRESIÓN TRABAJO BAR	PRESIÓN ROTURA BAR	RADIO MÍNIMO CURVATURA MM	PESO KG./MTS.
CODE	DN	HOSE SIZE INCH	INSIDE DIAMETER MM	OUTSIDE DIAMETER MM	WORKING PRESSURE BAR	BURST PRESSURE BAR	MIN. BEND RADIUS MM	WEIGHT KG./MTS.
0440270030	5	3/16"	4,8	10	345	1380	30	0,117
0440270040	6	1/4"	6,4	11,8	345	1380	40	0,150
0440270050	8	5/16"	8	14,3	325	1300	55	0,180
0440270060	10	3/8"	9,7	16	275	1100	65	0,240
0440270080	12	1/2"	13	20,3	240	960	85	0,265

MANGUERAS HOSES



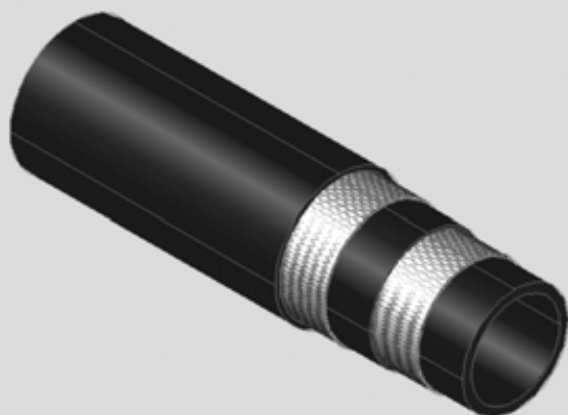
194

ME-2 PARALELA / PARALLEL

Norma: ---
Tubo interior: Elastómero poliéster
Tubo exterior: Poliuretano
Refuerzo: 1 trenzado de alambre de alta resistencia
Temperatura: Desde -40°C (-40°F) hasta 100°C (212°F)
Aplicaciones: Para líneas de alta presión
Fluidos recomendados: Fluidos con base de petróleo, sintéticos y acuosos

Standard: ---
Inner tube: Elastomer polyester
Outer tube: Polyurethane
Reinforcement: 1 high tensile wire braid
Temperature: From -40°C (-40°F) to 100°C (212°F)
Applications: For High pressure lines
Recommended fluids: Petroleum based fluids, synthetic and aqueous

CÓDIGO	MÓDULO	DIÁMETRO NOMINAL INCH	DIÁMETRO INTERIOR MM	DIÁMETRO EXTERIOR MM	PRESIÓN TRABAJO BAR	PRESIÓN ROTURA BAR	RADIO MÍNIMO CURVATURA MM	PESO KG./MTS.
CODE	DN	HOSE SIZE INCH	INSIDE DIAMETER MM	OUTSIDE DIAMETER MM	WORKING PRESSURE BAR	BURST PRESSURE BAR	MIN. BEND RADIUS MM	WEIGHT KG./MTS.
0440280030	5	3/16"	4,8	10	345	1380	30	0,234
0440280040	6	1/4"	6,4	11,8	345	1380	40	0,300
0440280050	8	5/16"	8	14,3	325	1300	55	0,360
0440280060	10	3/8"	9,7	16	275	1100	65	0,480
0440280080	12	1/2"	13	20,3	240	960	85	0,530



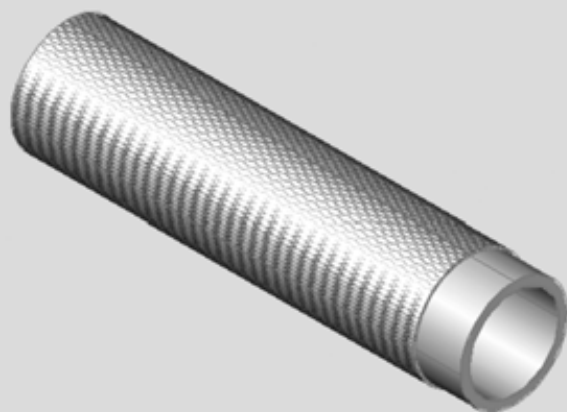
SUPERSERVICE 2AT

195

Norma: EN 853
Tubo interior: Caucho sintético liso resistente al aceite y al agua
Tubo exterior: Caucho sintético resistente al aceite e intemperie
Refuerzo: 2 trenzados de alambre de alta resistencia
Temperatura: Desde -40°C (-40°F) hasta 155°C (311°F)
Aplicaciones: Líneas para máquinas profesionales de limpieza
Fluidos recomendados: Aceites minerales, vegetales y aceites de colza, aceites basados en glicol y poliglicol, aceites basados en ester sintético, aceites en emulsión acuosa, agua

Standard: EN 853
Inner tube: Oil and water resistant synthetic rubber
Outer tube: Oil and weather resistant Synthetic rubber
Reinforcement: 2 high tensile braids
Temperature: From -40°C (-40°F) to 155°C (311°F)
Applications: Professional cleaning machine lines
Recommended fluids: Mineral oils, vegetable and rapeseed oils, Glycol and polyglycol based oils, synthetic ester based oils, oils in aqueous emulsion, water

CÓDIGO	MÓDULO	DIÁMETRO NOMINAL INCH	DIÁMETRO INTERIOR MM	DIÁMETRO EXTERIOR MM	PRESIÓN TRABAJO BAR	PRESIÓN ROTURA BAR	RADIO MÍNIMO CURVATURA MM	PESO KG./MTS.
CODE	DN	HOSE SIZE INCH	INSIDE DIAMETER MM	OUTSIDE DIAMETER MM	WORKING PRESSURE BAR	BURST PRESSURE BAR	MIN. BEND RADIUS MM	WEIGHT KG./MTS.
0440070040	6	1/4"	6,4	17,5	400	1600	100	0,470
0440070050	8	5/16"	8,0	19,0	350	1400	115	0,510
0440070060	10	3/8"	9,5	21,5	330	1320	130	0,630
0440070080	12	1/2"	12,7	24,5	275	1100	180	0,760



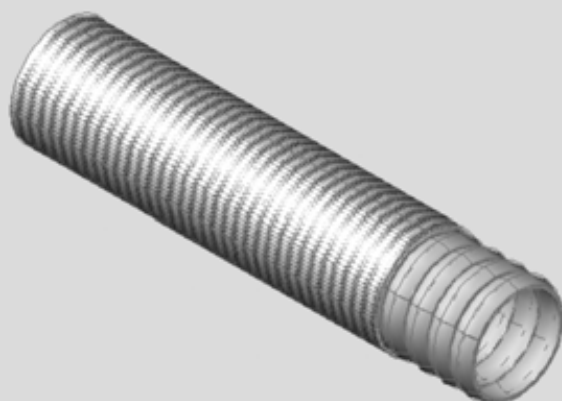
196

TEFLON LISO / SMOOTH PTFE

Norma: ---
Tubo interior: P.T.F.E. sinterizado
Tubo exterior: 1 trenzado de acero inoxidable. AISI 304
Temperatura: Desde -73°C (-99,4°F) hasta 260°C (500°F)
Aplicaciones: Químicos, vapor, alimentación, gases inertes, disolventes, etc.

Standard: ---
Inner tube: Sintered P.T.F.E.
Outer tube: 1 stainless steel AISI 304
Temperature: From -73°C (-99,4°F) to 260°C (500°F)
Applications: Chemicals, steam, foods, inert gases, solvents, etc

CÓDIGO	DIÁMETRO NOMINAL INCH	DIÁMETRO INTERIOR MM	DIÁMETRO EXTERIOR MM	PRESIÓN TRABAJO BAR	PRESIÓN ROTURA BAR	RADIO MÍNIMO CURVATURA MM	PESO KG./MTS.
CODE	HOSE SIZE INCH	INSIDE DIAMETER MM	OUTSIDE DIAMETER MM	WORKING PRESSURE BAR	BURST PRESSURE BAR	MIN. BEND RADIUS MM	WEIGHT KG./MTS.
0440750040	1/4"	6,5	9,5	175	700	45	0,087
0440750050	5/16"	8,0	11,0	150	600	50	0,127
0440750060	3/8"	9,5	12,1	135	540	55	0,145
0440750080	1/2"	12,7	17,0	120	480	70	0,212
0440750100	5/8"	16,0	20,3	100	400	130	0,260
0440750120	3/4"	19	23,4	90	360	190	0,321
0440750160	1"	25,4	30,3	65	260	270	0,450



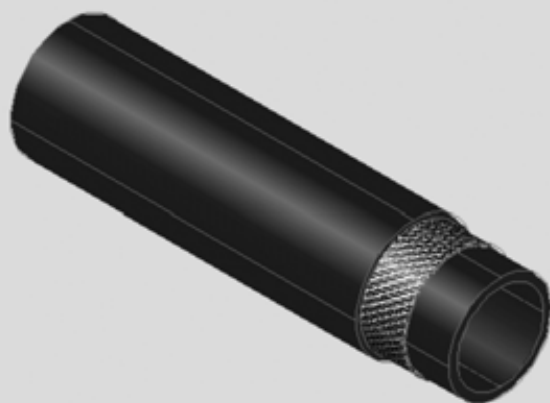
TEFLON CORRUGADO / CORRUGATED PTFE

197

Norma:	---	Standard:	---
Tubo interior:	P.T.F.E. corrugado helicoidal	Inner tube:	Helicoidal Corrugated
Tubo exterior:	1 trenzado de acero inoxidable. AISI 304		P.T.F.E.
Temperatura:	Desde -73°C (-99,4°F) hasta 260°C (500°F)	Outer tube:	1 stainless steel AISI 304
		Temperature:	From -73°C (-99,4°F) to 260°C (500°F)
Aplicaciones:	Químicos, vapor, alimentación, gases inertes, disolventes, etc.	Applications:	Chemicals, steam, foods, inert gases, solvents, etc

CÓDIGO	DIÁMETRO NOMINAL INCH	DIÁMETRO INTERIOR MM	DIÁMETRO EXTERIOR MM	PRESIÓN TRABAJO BAR	PRESIÓN ROTURA BAR	RADIO MÍNIMO CURVATURA MM
CODE	HOSE SIZE INCH	INSIDE DIAMETER MM	OUTSIDE DIAMETER MM	WORKING PRESSURE BAR	BURST PRESSURE BAR	MIN. BEND RADIUS MM
0440760060	3/8"	9,6	16,5	120	480	20
0440760080	1/2"	12,7	19,4	110	440	25
0440760100	5/8"	15,5	22,7	80	320	50
0440760120	3/4"	19,0	28,0	70	280	65
0440760160	1"	25,4	34,0	50	200	89
0440760200	1"1/4	31,5	39,5	45	180	110
0440760240	1"1/2	38,1	46	40	160	120
0440760320	2"	50,8	58,4	30	140	110
0440760480	3"	76,2	85	20	80	310
0440760640	4"	101,6	110	15	60	380

MANGUERAS HOSES



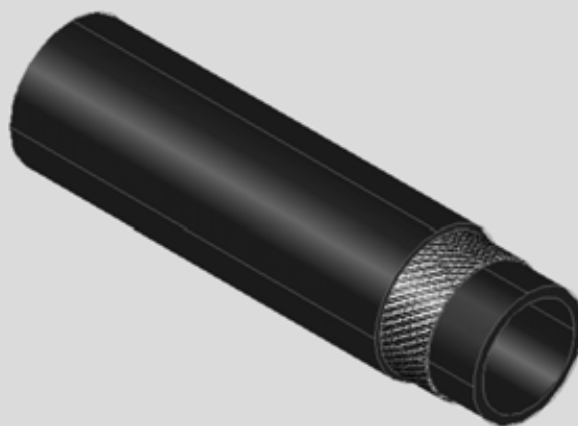
198

1TE

Norma: EN 854
Tubo interior: Caucho sintético liso resistente al aceite y al agua
Tubo exterior: Caucho sintético resistente al aceite e intemperie
Refuerzo: 1 trenzado textil
Temperatura: Desde -40°C (-40°F) hasta 100°C (212°F)
Aplicaciones: Para líneas hidráulicas de baja presión. Líneas de retorno
Fluidos recomendados: Aceites minerales, vegetales y aceites de colza, aceites basados en glicol y poliglicol, aceites basados en ester sintético, aceites en emulsión acuosa, agua

Standard: EN 854
Inner tube: Oil and water resistant synthetic rubber
Outer tube: Oil and weather resistant Synthetic rubber
Reinforcement: 1 textile braid
Temperature: From -40°C (-40°F) to 100°C (212°F)
Reinforcement: 1 textile braid
Applications: For low pressure hydraulic lines, return lines
Recommended fluids: Mineral oils, vegetable and rapeseed oils, Glycol and polyglycol based oils, synthetic ester based oils, oils in aqueous emulsion, water

CÓDIGO	MÓDULO	DIÁMETRO NOMINAL INCH	DIÁMETRO INTERIOR MM	DIÁMETRO EXTERIOR MM	PRESIÓN TRABAJO BAR	PRESIÓN ROTURA BAR	RADIO MÍNIMO CURVATURA MM	PESO KG./MTS.
CODE	DN	HOSE SIZE INCH	INSIDE DIAMETER MM	OUTSIDE DIAMETER MM	WORKING PRESSURE BAR	BURST PRESSURE BAR	MIN. BEND RADIUS MM	WEIGHT KG./MTS.
0440400050	5	3/16"	4,8	10,8	40	160	35	0,110
0440400060	6	1/4"	6,4	12,4	35	140	45	0,125
0440400080	8	5/16"	7,9	13,9	30	120	65	0,145
0440400100	10	3/8"	9,5	15,5	27	108	75	0,165
0440400120	12 (13)	1/2"	12,7	18,7	20	80	90	0,210
0440400160	16	5/8"	15,9	22,9	20	80	115	0,305
0440400200	20	3/4"	19,0	26,0	20	80	170	0,360



2TE

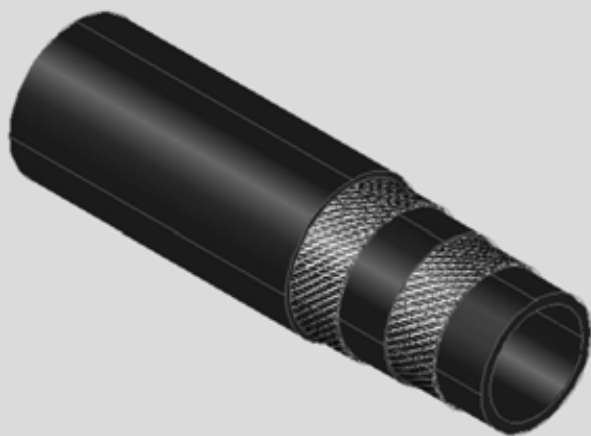
199

Norma: EN 854
Tubo interior: Caucho sintético liso resistente al aceite y al agua
Tubo exterior: Caucho sintético resistente al aceite e intemperie
Refuerzo: 1 trenzado textil compacto
Temperatura: Desde -40°C (-40°F) hasta 100°C (212°F)
Aplicaciones: Para líneas hidráulicas de baja presión. Líneas de retorno
Fluidos recomendados: Aceites minerales, vegetales y aceites de colza, aceites basados en glicol y poliglicol, aceites basados en ester sintético, aceites en emulsión acuosa, agua

Standard: EN 854
Inner tube: Oil and water resistant synthetic rubber
Outer tube: Oil and weather resistant Synthetic rubber
Reinforcement: 1 compact textile braid
Temperature: From -40°C (-40°F) to 100°C (212°F)
Reinforcement: 1 textile braid
Applications: For low pressure hydraulic lines, return lines
Recommended fluids: Mineral oils, vegetable and rapeseed oils, Glycol and polyglycol based oils, synthetic ester based oils, oils in aqueous emulsion, water

CÓDIGO	MÓDULO	DIÁMETRO NOMINAL INCH	DIÁMETRO INTERIOR MM	DIÁMETRO EXTERIOR MM	PRESIÓN TRABAJO BAR	PRESIÓN ROTURA BAR	RADIO MÍNIMO CURVATURA MM	PESO KG./MTS.
CODE	DN	HOSE SIZE INCH	INSIDE DIAMETER MM	OUTSIDE DIAMETER MM	WORKING PRESSURE BAR	BURST PRESSURE BAR	MIN. BEND RADIUS MM	WEIGHT KG./MTS.
0440450050	5	3/16"	4,8	11,8	90	360	35	0,140
0440450060	6	1/4"	6,4	13,4	85	340	40	0,160
0440450080	8	5/16"	7,9	14,9	75	300	50	0,185
0440450100	10	3/8"	9,5	16,5	65	260	60	0,210
0440450120	12 (13)	1/2"	12,7	19,7	62	248	70	0,270
0440450160	16	5/8"	15,9	23,9	57	228	90	0,350
0440450200	20	3/4"	19,0	27,0	50	200	110	0,420
0440450250	25	1"	25,4	34,4	45	180	150	0,540

MANGUERAS HOSES



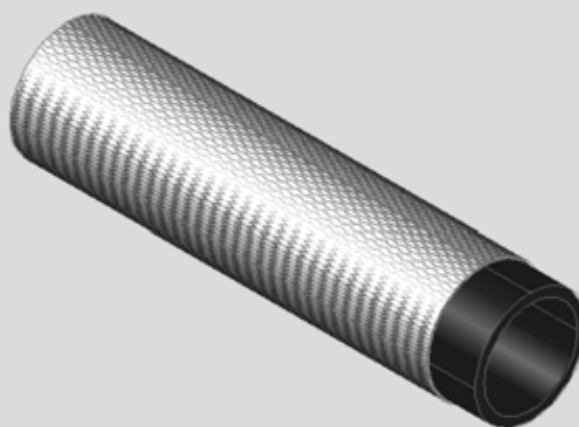
200

3TE

Norma: EN 854
Tubo interior: Caucho sintético liso resistente al aceite y al agua
Tubo exterior: Caucho sintético resistente al aceite e intemperie
Refuerzo: 2 trenzados textiles
Temperatura: Desde -40°C (-40°F) hasta 100°C (212°F)
Aplicaciones: Para líneas hidráulicas de baja y media presión
Fluidos recomendados: Aceites minerales, vegetales y aceites de colza, aceites basados en glicol y poliglicol, aceites basados en ester sintético, aceites en emulsión acuosa, agua

Standard: EN 854
Inner tube: Oil and water resistant synthetic rubber
Outer tube: Oil and weather resistant Synthetic rubber
Reinforcement: 2 textile braids
Temperature: From -40°C (-40°F) to 100°C (212°F)
Applications: For low and medium pressure hydraulic lines
Recommended fluids: Mineral oils, vegetable and rapeseed oils, Glycol and polyglycol based oils, synthetic ester based oils, oils in aqueous emulsion, water

CÓDIGO	MÓDULO	DIÁMETRO NOMINAL INCH	DIÁMETRO INTERIOR MM	DIÁMETRO EXTERIOR MM	PRESIÓN TRABAJO BAR	PRESIÓN ROTURA BAR	RADIO MÍNIMO CURVATURA MM	PESO KG./MTS.
CODE	DN	HOSE SIZE INCH	INSIDE DIAMETER MM	OUTSIDE DIAMETER MM	WORKING PRESSURE BAR	BURST PRESSURE BAR	MIN. BEND RADIUS MM	WEIGHT KG./MTS.
0440470060	6	1/4"	6,4	14,4	145	580	45	0,170
0440470080	8	5/16"	7,9	16,9	130	520	55	0,210
0440470100	10	3/8"	9,5	18,5	110	440	70	0,270
0440470120	12 (13)	1/2"	12,7	21,7	93	370	85	0,320
0440470160	16	5/8"	15,9	25,9	80	320	105	0,390
0440470200	20	3/4"	19,0	29,0	70	280	130	0,490
0440470250	25	1"	25,4	35,9	55	220	150	0,650
0440470320	32	1"1/4	31,8	42,3	45	180	190	0,850
0440470400	40	1"1/2	38,1	49,6	40	160	240	1,100



AH1

201

Norma: ---

Tubo interior: Caucho sintético negro

Tubo exterior: Trenzado de acero galvanizado

Temperatura: Desde -20°C (-4°F) hasta 70°C (158°F)

Fluidos recomendados: Aceite y gasoil

Standard: ---

Inner tube: Black synthetic rubber

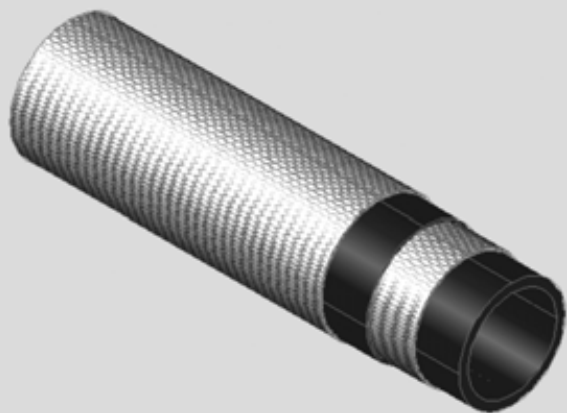
Outer tube: Galvanised steel braid

Temperature: From -20°C (-4°F) to 70°C (158°F)

Recommended fluids: Oil and diesel

CÓDIGO	DIÁMETRO INTERIOR MM	DIÁMETRO EXTERIOR MM	PRESIÓN TRABAJO BAR	PRESIÓN ROTURA BAR	RADIO MÍNIMO CURVATURA MM	PESO KG./MTS.
CODE	INSIDE DIAMETER MM	OUTSIDE DIAMETER MM	WORKING PRESSURE BAR	BURST PRESSURE BAR	MIN. BEND RADIUS MM	WEIGHT KG./MTS.
0440550050	5	10	25	100	25	0,130
0440550100	6	12	25	100	30	0,165
0440550150	7	13	25	100	35	0,185
0440550200	8	14	25	100	40	0,200
0440550250	9	16	20	80	45	0,190
0440550300	10	16	20	80	45	0,250
0440550350	12	20	20	80	50	0,390
0440550450	14	22	15	60	55	0,450
0440550500	15	24	15	60	60	0,530
0440550550	18	26	15	60	65	0,540
0440550600	20	29	10	40	85	0,635
0440550650	22	31	10	40	100	0,650
0440550700	24	33	10	40	120	0,670
0440550750	26	35	8	30	130	0,810
0440550800	30	40	6	25	200	0,920
0440550900	40	52	10	40	290	2,060
0440550950	50	62	10	40	380	2,350

MANGUERAS HOSES



202

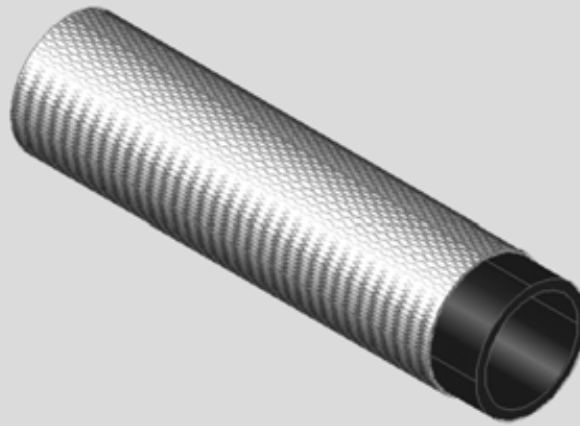
ATH

Norma: ---
Tubo interior: Caucho sintético negro
Tubo exterior: Trenzado de acero galvanizado
Refuerzo: 1 trenza textil de alta tenacidad
Temperatura: Desde -20°C (-4°F) hasta 70°C (158°F)

Standard: ---
Inner tube: Black synthetic rubber
Outer tube: Galvanised steel braid
Reinforcement: 1 high tough textile braid
Temperature: From -20°C (-4°F) to 70°C (158°F)
Recommended fluids: Oil and diesel

Fluidos recomendados: Aceite y gasoil

CÓDIGO	DIÁMETRO INTERIOR MM	DIÁMETRO EXTERIOR MM	PRESIÓN TRABAJO BAR	PRESIÓN ROTURA BAR	RADIO MÍNIMO CURVATURA MM
CODE	INSIDE DIAMETER MM	OUTSIDE DIAMETER MM	WORKING PRESSURE BAR	BURST PRESSURE BAR	MIN. BEND RADIUS MM
0440560070	5	12	40	150	30
0440560100	6	13	40	150	35
0440560150	7	14	40	150	40
0440560200	8	15	40	150	40
0440560250	9	16	35	140	45
0440560300	10	17	35	140	45
0440560350	12	21	30	120	50
0440560450	14	22	30	120	55
0440560500	15	27	30	120	100
0440560600	20	29	25	100	100
0440560700	24	34	20	80	150
0440560750	26	36	20	80	200
0440560800	30	40	15	60	300



AH2

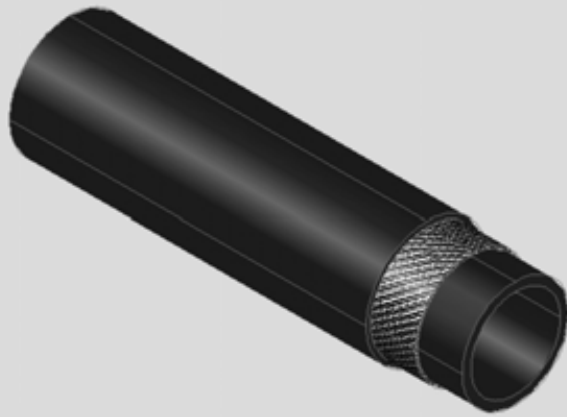
203

Norma: ---
Tubo interior: Caucho sintético negro
Tubo exterior: Trenzado de acero galvanizado
Temperatura: Desde -20°C (-4°F) hasta 70°C (158°F)
Fluidos recomendados: Conducción gas butano, propano

Standard: ---
Inner tube: Black synthetic rubber
Outer tube: Galvanised steel braid
Temperature: From -20°C (-4°F) to 70°C (158°F)
Recommended fluids: Butane gas conduits, propane

CÓDIGO	DIÁMETRO INTERIOR MM	DIÁMETRO EXTERIOR MM	PRESIÓN TRABAJO BAR	PRESIÓN ROTURA BAR	RADIO MÍNIMO CURVATURA MM
CODE	INSIDE DIAMETER MM	OUTSIDE DIAMETER MM	WORKING PRESSURE BAR	BURST PRESSURE BAR	MIN. BEND RADIUS MM
0440570050	5	10	25	100	25
0440570200	8	14	25	100	40
0440570250	9	15	20	80	40
0440570300	10	16	20	80	45
0440570350	12	20	20	80	50

MANGUERAS HOSES



204

LN 20 INDUSTRIAL

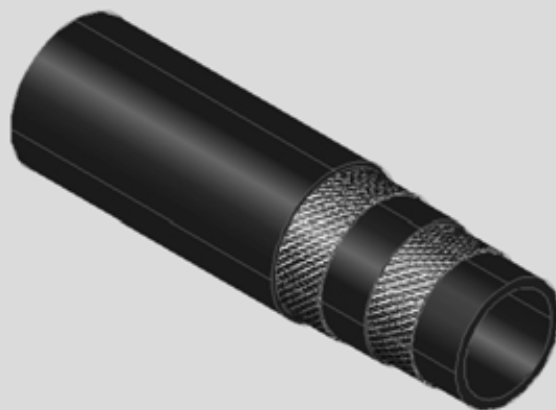
Norma: ---
Tubo interior: Caucho SBR negro liso
Tubo exterior: Caucho SBR negro liso
Refuerzo: 2 trenzado textil
Temperatura: Desde -40°C (-40°F) hasta 70°C (158°F)

Standard: ---
Inner tube: Smooth black SBR rubber
Outer tube: Smooth black SBR rubber
Reinforcement: 2 textile braids
Temperature: From -40°C (-40°F) to 70°C (158°F)

Fluidos recomendados: Aire comprimido

Recommended fluids: Compressed air

CÓDIGO	MODULO	DIÁMETRO NOMINAL INCH	DIÁMETRO INTERIOR MM	DIÁMETRO EXTERIOR MM	PRESIÓN TRABAJO BAR MM	PRESIÓN ROTURA BAR	PESO KG./MTS.
CODE	DN	HOSE SIZE INCH	INSIDE DIAMETER MM	OUTSIDE DIAMETER MM	WORKING PRESSURE BAR	BURST PRESSURE BAR	WEIGHT KG./MTS.
0440500060	6	1/4"	6	14	20	60	0,18
0440500080	8	5/16"	8	17	20	60	0,26
0440500100	10	3/8"	10	19	20	60	0,30
0440500120	12	1/2"	13	23	20	60	0,40
0440500160	16	5/8"	16	26	20	60	0,46
0440500200	20	3/4"	19	30	20	60	0,60
0440500220	25	1"	25	37	20	60	0,82

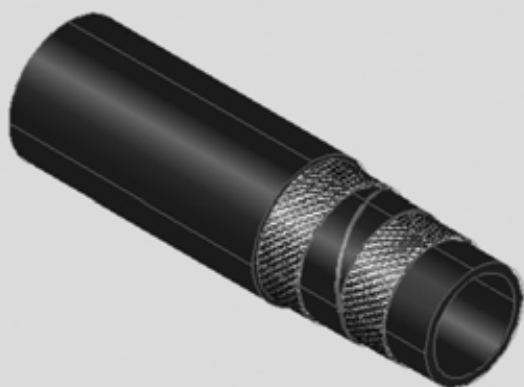


CODACORD 1900 IMPULSION

205

Norma:	ISO 7840	Inner tube:	Black NBR rubber
Tubo interior:	Caucho NBR negro	Outer tube:	Black NBR/CR abrasion proof and weather proof rubber
Tubo exterior:	Caucho NBR/CR negro resistente a la abrasión y a la intemperie	Reinforcement:	High tenacity synthetic threads. Intermediate rubber layer which assures a perfect adherence between the inner tube cover. Incorporates a copper spiral for electrostatic shocks.
Refuerzo:	Hilos sintéticos de alta tenacidad. Capa de caucho intermedia que asegura una perfecta adherencia tubo interior-cubierta. Incorpora espiral de cobre para descargas electroestáticas	Temperature:	From -30°C (-22°F) to 100°C (212°F)
Temperatura:	Desde -30°C (-22°F) hasta 100°C (212°F)	Recommended fluids:	Oil impulsion, mineral greases and low aromatic content hydrocarbons
Fluidos recomendados:	Impulsión de aceite, grasas minerales e hidrocarburos de bajo contenido aromático Standard: ISO 7840		

CÓDIGO	DIÁMETRO INTERIOR MM	DIÁMETRO EXTERIOR MM	PRESIÓN TRABAJO BAR	PRESIÓN ROTURA BAR	RADIO MÍNIMO CURVATURA MM	PESO KG./MTS.
CODE	INSIDE DIAMETER MM	OUTSIDE DIAMETER MM	WORKING PRESSURE BAR	BURST PRESSURE BAR	MIN. BEND RADIUS MM	WEIGHT KG./MTS.
0440610010	12	22	15	45	120	0,37
0440610020	15	26	15	45	150	0,55
0440610000	19	30	15	45	190	0,66
0440610050	25	36	15	45	250	0,80
0440610100	30	41	15	45	300	1,03
0440610150	32	43	15	45	320	1,11
0440610200	35	46	15	45	350	1,21
0440610230	38	50	15	45	380	1,59
0440610250	40	52	15	45	400	1,59
0440610300	45	60	15	45	450	1,92
0440610350	50	65	15	45	500	2,09
0440610400	60	75	15	45	600	2,46
0440610430	63	79	15	45	635	2,60
0440610450	70	86	15	45	700	3,08
0440610500	75	91	15	45	750	3,27
0440610550	80	96	15	45	800	3,40
0440610600	90	106	15	45	850	3,82
0440610650	100	116	15	45	1000	4,26



206

CODACORD 2200 ASPIRACION / ASPIRATION

Norma: ---

Tubo interior: Caucho NBR negro

Tubo exterior: Caucho NBR/CR negro resistente a los derivados del petróleo

Refuerzo: Textil sintético de alta tenacidad. Capa de caucho intermedia que asegura una perfecta adherencia tubo interior-cubierta. Espiral de cobre para la conducción de las cargas eléctricas producidas por la fricción

Temperatura: Desde -30°C (-22°F) hasta 100°C (212°F)

Fluidos recomendados: Aspiración e impulsión de aceite, grasas minerales y carburantes, empleado principalmente en vehículos cisternas, gasolineras, etc., de conformidad con las más exigentes normas internacionales

Aspiración máxima: 80% (600mm. Hg.)

Standard: ---

Inner tube: Black NBR rubber

Outer tube: Black NBR/CR petroleum derivative proof rubber

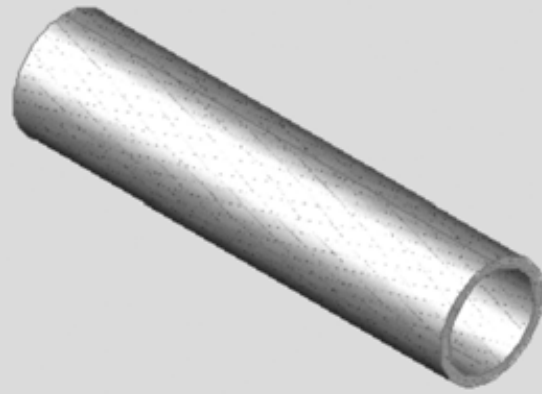
Reinforcement: High tenacity synthetic textile Intermediate rubber layer which assures a perfect adherence between the inner tube and cover. Incorporates a copper spiral for friction produced static shocks.

Temperature: From -30°C (-22°F) to 100°C (212°F)

Recommended fluids: Aspiration and impulsion of oil, mineral greases and fuels. Mainly used in tanker vehicles, petrol stations etc. Conforms with the most stringent international standards.

Maximum aspiration: 80% (600mm. Hg.)

CÓDIGO	DIÁMETRO INTERIOR MM	DIÁMETRO EXTERIOR MM	PRESIÓN TRABAJO BAR	PRESIÓN ROTURA BAR	RADIO MÍNIMO CURVATURA MM	PESO KG./MTS.
CODE	INSIDE DIAMETER MM	OUTSIDE DIAMETER MM	WORKING PRESSURE BAR	BURST PRESSURE BAR	MIN. BEND RADIUS MM	WEIGHT KG./MTS.
0440620100	30	40	10	30	200	0,97
0440620250	40	50	10	30	250	1,79
0440620350	50	64	10	30	300	2,33
0440620400	60	74	10	30	360	2,71
0440620450	70	84	10	30	420	3,13
0440620500	75	89	10	30	500	3,33
0440620550	80	94	10	30	650	3,51
0440620650	100	116	10	30	1000	4,94



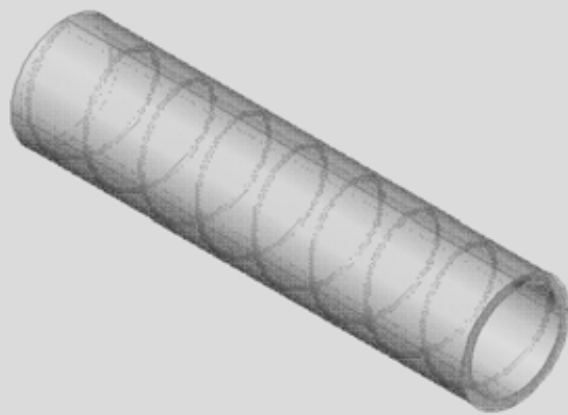
FLEXADUX

207

Norma:	---	Standard:	---
Tubo:	PVC plastificado	Outer tube:	Plasticized PVC
Refuerzo:	Poliester	Reinforcement:	Polyester
Temperatura:	Desde -10°C (14°F) hasta 60°C (140°F)	Temperature:	From -10°C (14°F) to 60°C (140°F)
Fluidos recomendados:	Aire comprimido y conducción de líquidos alimenticios.	Recommended fluids:	Compressed air and liquid foodstuffs

CÓDIGO	DIÁMETRO INTERIOR MM	DIÁMETRO EXTERIOR MM	PRESIÓN TRABAJO BAR	PESO KG./MTS.
CODE	INSIDE DIAMETER MM	OUTSIDE DIAMETER MM	WORKING PRESSURE BAR	WEIGHT KG./MTS.
0440650000	6	12	18	0,085
0440650050	8	14	15	0,100
0440650100	10	16	15	0,120
0440650150	12	18	15	0,140
0440650200	15	21	10	0,180
0440650250	20	26	10	0,255
0440650300	25	32	8	0,385
0440650350	30	40	6	0,520
0440650400	35	45	5	0,760

MANGUERAS HOSES



208

SPRINGVIN

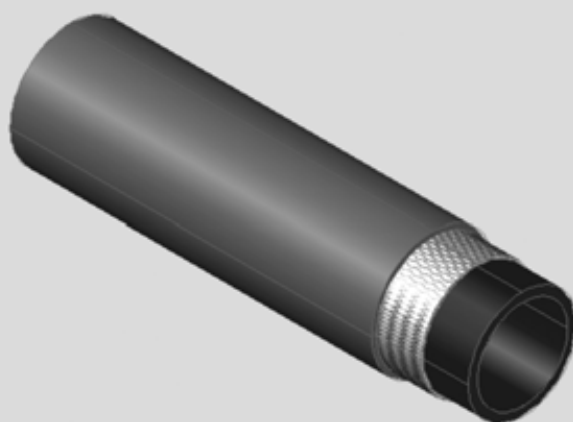
Norma: ---
Tubo: PVC plastificado
Refuerzo: Alambre acerado
Temperatura: Desde -10°C (14°F) hasta 60°C (140°F)

Fluidos recomendados: Aspiración e impulsión de líquidos alimenticios

Standard: ---
Outer tube: Plasticized PVC
Reinforcement: Steeled wire
Temperature: From -10°C (14°F) to 60°C (140°F)

Recommended fluids: Liquid foodstuff aspiration and impulsion

CÓDIGO	DIÁMETRO INTERIOR MM	DIÁMETRO EXTERIOR MM	PRESIÓN TRABAJO BAR	PRESIÓN ROTURA BAR	RADIO MÍNIMO CURVATURA MM	PESO KG./MTS.
CODE	INSIDE DIAMETER MM	OUTSIDE DIAMETER MM	WORKING PRESSURE BAR	BURST PRESSURE BAR	MIN. BEND RADIUS MM	WEIGHT KG./MTS.
0440660120	12	18	6	30	23	0,200
0440660150	16	22,4	6	30	30	0,270
0440660200	20	27	5	25	34	0,350
0440660250	25	33	5	25	42	0,500
0440660350	32	41	4	20	53	0,650
0440660370	35	44	4	20	58	0,700
0440660400	40	50	4	20	66	0,870
0440660500	50	60	4	20	82	1,235



PUSH LOCK

209

Norma:	---	Standard:	---
Tubo:	Caucho nitrilo	Outer tube:	Nitrile rubber
Refuerzo:	Textil de poliéster exenta de silicona	Reinforcement:	Polyester textile with no silicone content
Temperatura:	Desde -20°C (-4°F) hasta 100°C (212°F)	Temperature:	From -20°C (-4°F) to 100°C (212°F)
Aplicaciones:	Autorracorable	Applications:	Auto-fittings
Fluidos recomendados:	Productos químicos	Recommended fluids:	Chemical products

CÓDIGO	MODULO	DIÁMETRO INTERIOR MM	DIÁMETRO EXTERIOR MM	PRESIÓN TRABAJO BAR	PRESIÓN ROTURA BAR	PESO KG./MTS.
CODE	DN	INSIDE DIAMETER MM	OUTSIDE DIAMETER MM	WORKING PRESSURE BAR	BURST PRESSURE BAR	WEIGHT KG./MTS.
0441500040	1/4"	6,3	13	25	75	0,160
0441500060	3/8"	9,5	16	25	75	0,200
0441500080	1/2"	12,7	19	25	75	0,260
0441500100	5/8"	15,8	24	25	75	0,300
0441500120	3/4"	19,1	27	25	75	0,400
0441500160	1"	25,4	34	25	75	0,525



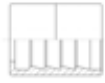
CONEXIONES PRENSADAS

SWAGED FITTINGS

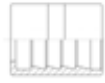
CONEXIONES PRENSADAS – SWAGED FITTINGS

CONEXIONES PRENSADAS SWAGED FITTINGS

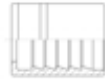
CASQUILLOS PARA PRENSAR / SWAGED FERRULES



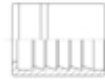
CP-1A
p.217



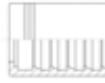
CP-2A
p.218



CP1-2T
p.219



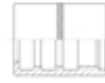
CP1-2C
p.220



CP-9
p.220



CP-11
p.221



CP-8
p.221

CONEXIONES MACHO / MALE FITTINGS



MP-001
p.222



MP-002
p.223



MP-084
p.224

213

CONEXIONES BSP / BSP FITTINGS



HP-004
p.225



HP-105
p.226



HP-105
p.226



HP-015
p.227



HP-007
p.228



HP-108
p.229



HP-108
p.229



HP-010
p.230



HP-111
p.231



HP-111
p.231



OP-057
p.232

CONEXIONES MÉTRICAS / METRIC FITTINGS



MP-027
p.233



HP-031
p.234



HP-035
p.235



HP-039
p.236



MP-029
p.237



HP-045
p.238



HP-049
p.239



HP-053
p.240



EP-096
p.241



EP-024
p.242



EP-024 GAS
p.243



EP-097
p.244



EP-025
p.245



EP-026
p.246



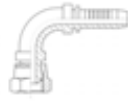
MP-016
p.247

CONEXIONES PRENSADAS SWAGED FITTINGS

CONEXIONES MÉTRICAS / METRIC FITTINGS



HP-017
p.248



HP-020
p.249



HP-022
p.250



OP-056
p.251

CONEXIONES JIC / JIC FITTINGS



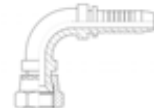
MP-069
p.252



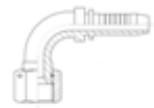
HP-071
p.253



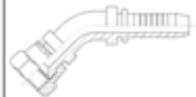
HP-072
p.254



HP-074
p.255



HP-075
p.256



HP-078
p.257



HP-079
p.258

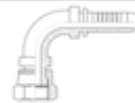
CONEXIONES ORFS / ORFS FITTINGS



HP-082
p.258



HP-082
p.259



HP-082
p.260



HP-082
p.261

CONEXIONES TOYOTA / TOYOTA FITTINGS

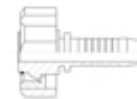


HP-083
p.262



HP-083
p.263

KARCHER



HP-094
p.263

BRIDAS SAE 3000-6000 PSI / 3000-6000 PSI SAE FLANGES



BP-086
p.264



BP-087
p.265



BP-088
p.266



BP-086
p.267



BP-087
p.268



BP-088
p.269

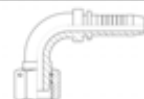
CONEXIONES SERIE FRANCESA / FRENCH SERIE FITTINGS



MP-055
p.270



HP-055
p.271



HP-055
p.272

CONEXIONES PRENSADAS SWAGED FITTINGS

CASQUILLO PARA PRENSAR SWAGED FERRULE



CP-9M
p.272

CONEXIONES MACHO MULTIESPIRAL MULTISPIRAL MALE FITTINGS



MP-003
p.273



MP-098
p.273



MP-099
p.274

CONEXIONES BSP MULTIESPIRAL / MULTISPIRAL BSP FITTINGS



HP-006
p.274



HP-009
p.275



HP-012
p.275

CONEXIONES MÉTRICAS MULTIESPIRAL / MULTISPIRAL METRIC FITTINGS



MP-030
p.276



HP-046
p.276



HP-050
p.277



HP-054
p.277

CONEXIONES JIC MULTIESPIRAL / MULTISPIRAL JIC FITTINGS



MP-070
p.278



HP-073
p.278



HP-076
p.279



HP-080
p.279

CONEXIONES SERIE FRANCESA MULTIESPIRAL / MULTISPIRAL FRENCH SERIE FITTINGS



MP-055
p.280



MP-055
p.280



HP-055
p.281

BRIDAS SAE 3000-6000 PSI MULTIESPIRAL / MULTISPIRAL 3000-6000 PSI SAE FLANGES



BP-086
p.282



BP-087
p.282



BP-088
p.283



BP-086
p.283



BP-087
p.284



BP-088
p.284

CONEXIONES POCLAIN / POCLAIN FITTINGS



POCLAIN FEMALE
p.285



POCLAIN MALE
p.285



90° POCLAIN MALE
p.286

215

CONEXIONES
PRENSADAS
INTERLOCK

INTERLOCK
SWAGED FITTINGS

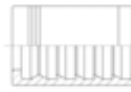
CONEXIONES PRENSADAS SWAGED FITTINGS

216

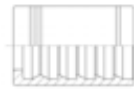
CONEXIONES
PRENSADAS
MULTIESPIRAL

MULTISPIRAL
SWAGED FITTINGS

CASQUILLOS PARA PRENSAR / SWAGED FERRULES



CP-12
p.287



CP-13
p.287

CONEXIONES MACHO INTERLOCK / INTERLOCK MALE FITTINGS



MP-203
p.288



MP-298
p.288



MP-299
p.289

CONEXIONES BSP INTERLOCK / INTERLOCK BSP FITTINGS



HP-206
p.289



HP-209
p.290



HP-212
p.290

CONEXIONES MÉTRICAS INTERLOCK / INTERLOCK METRIC FITTINGS



MP-230
p.291



HP-246
p.291



HP-250
p.292



HP-254
p.292

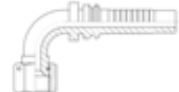
CONEXIONES JIC INTERLOCK / INTERLOCK JIC FITTINGS



MP-270
p.293



HP-273
p.293



HP-276
p.294



HP-280
p.294

BRIDAS SAE 3000-6000 PSI INTERLOCK / INTERLOCK 3000-6000 PSI FLANGES



BP-286
p.295



BP-287
p.295



BP-288
p.296



BP-286
p.297



BP-287
p.297

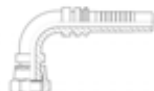


BP-288
p.297

CONEXIONES ORFS INTERLOCK / INTERLOCK ORFS FITTINGS



HP-282
p.298

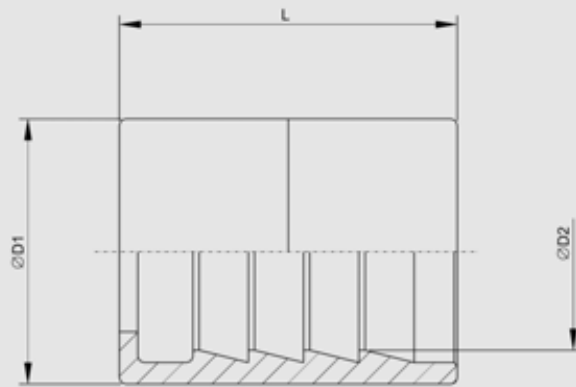


HP-282
p.298



HP-282
p.299

CONEXIONES PRENSADAS SWAGED FITTINGS



CP-1A

217

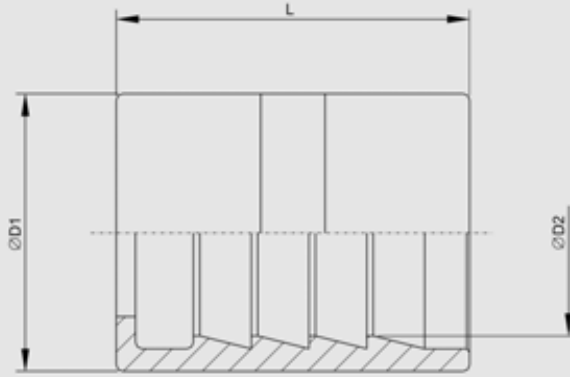


COD.	ØINT.TUB.	DN	ØD1	ØD2	L
0450000000	3/16"	4	17,5	10	27
0450000010	1/4"	6	20	13,5	30,2
0450000020	5/16"	8	22	14,4	30,7
0450000030	3/8"	10	24	16,5	32
0450000040	1/2"	13	28,5	20,5	34
0450000050	5/8"	16	32	23,8	37
0450000060	3/4"	20	36	27,6	43
0450000070	1"	25	43	34,7	50
0450000080	1"1/4	32	52	42,4	57
0450000090	1"1/2	40	57	48	76
0450000100	2"	50	70,6	61,2	78

**CASQUILLO PRENSADO PARA TUBERÍA
SAE 100 R1A-1ST**

**SWAGED FERRULE
FOR SAE 100 R1A-
1ST**

CONEXIONES PRENSADAS SWAGED FITTINGS



218

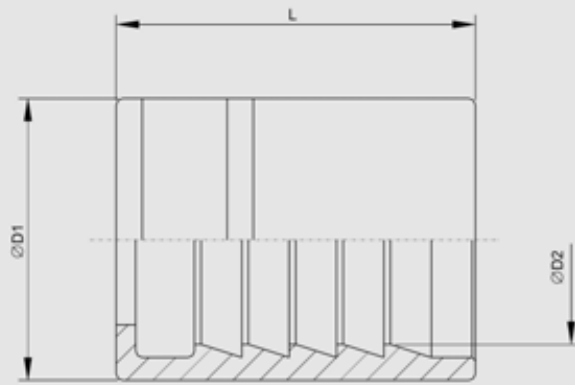
CP-2A

**CASQUILLO PRENSADO PARA TUBERÍA
SAE 100 R2A-2ST-4SP**

*SWAGED FERRULE
FOR SAE 100 R2A-
2ST-4SP*

COD.	ØINT.TUB.	DN	ØD1	ØD2	L	MANGUERA/HOSE
0450000110	3/16"	4	20	12,3	27	R2A-2ST
0450000120	1/4"	6	21	14,1	30	R2A-2ST
0450000130	5/16"	8	24	15,8	30	R2A-2ST
0450000140	3/8"	10	25,4	18	32	R2A-2ST-4SP
0450000150	1/2"	13	30	22	34	R2A-2ST-4SP
0450000160	5/8"	16	34	25,9	37	R2A-2ST-4SP
0450000170	3/4"	20	38	29,2	43	R2A-2ST-4SP
0450000180	1"	25	46	36,5	50	R2A-2ST
0450000190	1"1/4	32	56	45,2	59	R2A-2ST
0450000200	1"1/2	40	62	51,9	63	R2A-2ST
0450000210	2"	50	75	64,5	79	R2A-2ST

CONEXIONES PRENSADAS SWAGED FITTINGS



CP1-2T

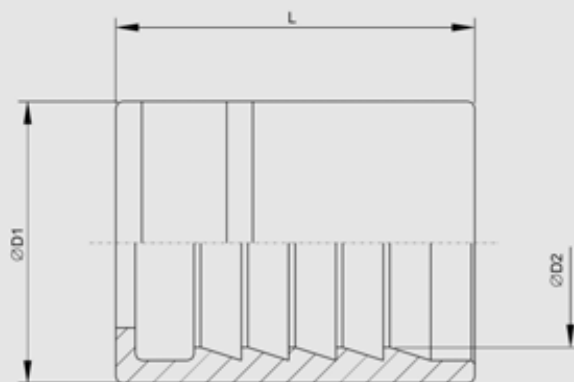
219

COD.	ØINT.TUB.	DN	ØD1	ØD2	L
0450000330	3/16"	4	20	14,2	26
0450000340	1/4"	6	22	15,8	28
0450000350	5/16"	8	24	17,5	28
0450000360	3/8"	10	26	20	28
0450000370	1/2"	13	30	23,3	31
0450000380	5/8"	16	33	26,5	31
0450000390	3/4"	20	37	30,4	38
0450000460	1"	25	46	39	47,5
0450000450	1"1/4	32	58	49,3	55
0450002480	1"1/2	40	65	55,8	60
0450002520	2"	50	78	68,5	72

CASQUILLO PRENSADO PARA TUBERÍA SAE 100 R1AT-R2AT-1SN-2SN

SWAGED FERRULE FOR SAE 100 R1AT-R2AT-1SN-2SN

CONEXIONES PRENSADAS SWAGED FITTINGS



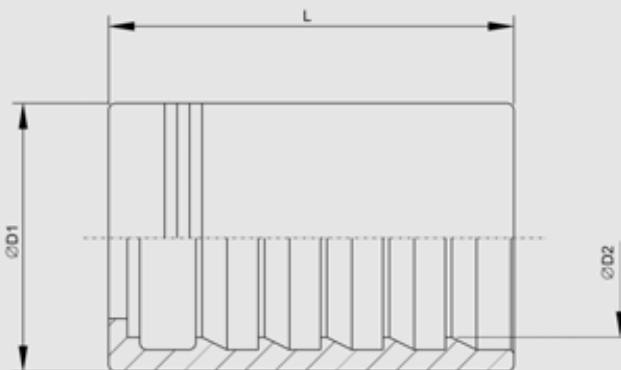
220

CP1-2C

**CASQUILLO
PRENSADO PARA
TUBERÍA 1SC-2SC**

**SWAGED
FERRULE FOR
1SC-2SC**

COD.	ØINT.TUB.	DN	ØD1	ØD2	L
0455000340	1/4"	6	20	14,3	26
0455000350	5/16"	8	22	16,1	26
0455000360	3/8"	10	24	18,4	26
0455000370	1/2"	13	28	21,7	28
0455000380	5/8"	16	32	25	29
0455000390	3/4"	20	35	28,6	35
0455000460	1"	25	44	36,7	44



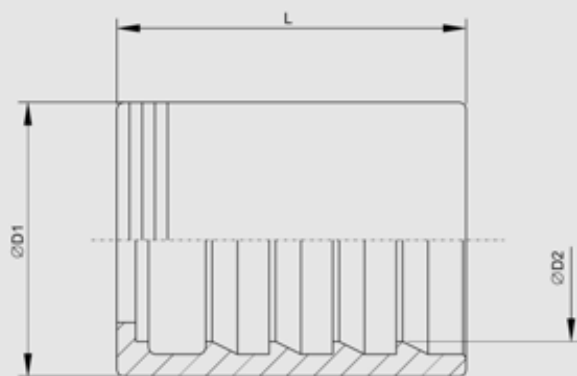
CP-9

**CASQUILLO PRENSA-
DO PARA TUBERÍA
4SP-4SH-R12**

**SWAGED FERRULE
FOR 4SP-4SH-R12**

COD.	ØINT.TUB.	DN	ØD1	ØD2	L	MANGUERA/HOSE
0450000700	1/4"	6	21	15,3	30	4SP
0450000800	1"	25	46	36,1	60	4SP-4SH-R12

CONEXIONES PRENSADAS SWAGED FITTINGS



CP-11

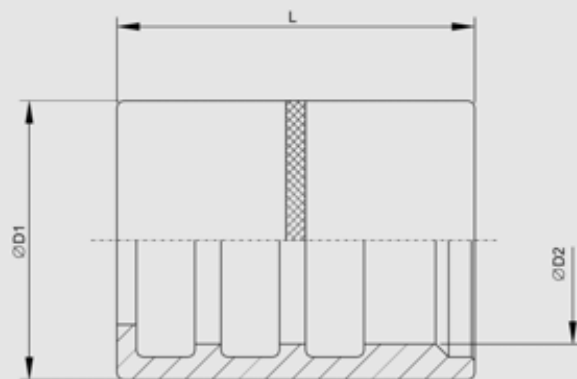
221



COD.	ØINT.TUB.	DN	ØD1	ØD2	L
0450000900	1"1/4	32	56	46,3	66
0450000910	1"1/2	40	67	55,5	76,5
0450000920	2"	50	78	66,6	80

CASQUILLO PRENSADO PARA TUBERÍA 4SH-R12

SWAGED FERRULE FOR 4SH-R12



CP-8

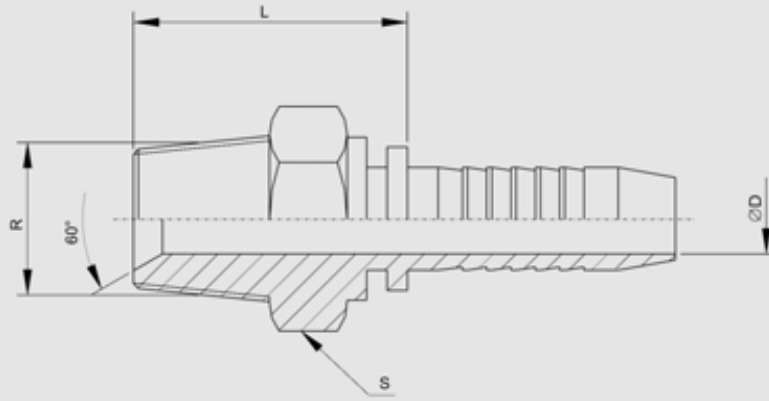


COD.	ØINT.TUB.	NW	ØD1	ØD2	L
0450600020	3/16"	4	14	10,6	27
0450600040	1/4"	6	17	13,5	29
0450600050	5/16"	8	19	15,2	30
0450600060	3/8"	10	21	16,8	31
0450600080	1/2"	13	25,4	20,8	34
0450600100	5/8"	16	28,5	24	36
0450600120	3/4"	20	32	27,8	36
0450600160	1"	25	40	34,5	50

CASQUILLO PRENSADO PARA TUBERÍA R7-R8-ME1-ME2

SWAGED FERRULE FOR R7-R8-ME1-ME2

CONEXIONES PRENSADAS SWAGED FITTINGS



222

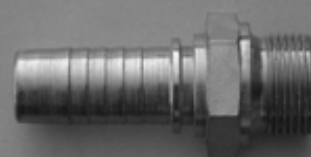
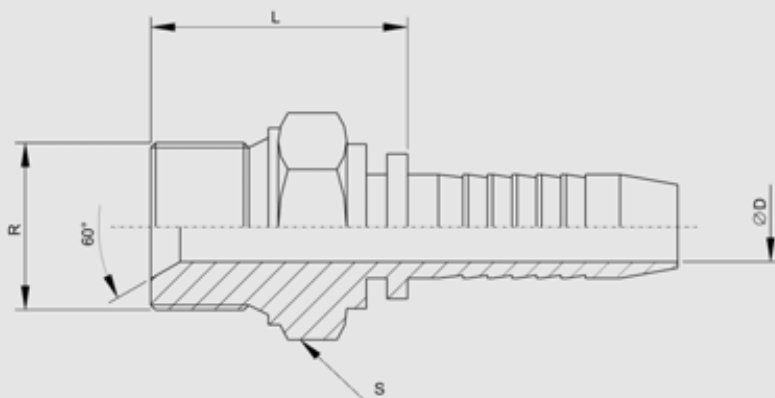
MP-001

**MACHO GAS
CÓNICO CONO 60°**

*BSP TAPER MALE
60° CONE*

COD.	ØINT.TUB.	DN	R	L	ØD	S
0450010000	3/16"	4	1/8"-28	22	3	12
0450010020	3/16"	4	1/4"-19	27	3	15
0450010040	1/4"	6	1/8"-28	23	4	12
0450010060	1/4"	6	1/4"-19	28	4	15
0450010080	1/4"	6	3/8"-19	28	4	19
0450010110	5/16"	8	1/4"-19	28	5,5	15
0450010140	5/16"	8	3/8"-19	28	5,5	19
0450010170	3/8"	10	1/4"-19	28	7	15
0450010180	3/8"	10	3/8"-19	28	7	19
0450010240	3/8"	10	1/2"-14	33	7	22
0450010260	1/2"	13	3/8"-19	29	9,5	19
0450010300	1/2"	13	1/2"-14	34	9,5	22
0450010340	1/2"	13	3/4"-14	36	9,5	27
0450010380	5/8"	16	5/8"-14	36	12	27
0450010360	5/8"	16	1/2"-14	34	12	22
0450010390	5/8"	16	3/4"-14	36	12	27
0450010460	3/4"	20	3/4"-14	37	15	27
0450010500	3/4"	20	1"-11	43	15	36
0450010540	1"	25	1"-11	44	20	36
0450010580	1"	25	1"1/4-11	46	20	46
0450010620	1"1/4	32	1"1/4-11	47	26	46
0450010660	1"1/4	32	1"1/2-11	49	26	50
0450010700	1"1/2	40	1"1/2-11	49	32	50
0450010730	1"1/2	40	2"-11	55	32	65
0450010740	2"	50	2"-11	55	44	65

CONEXIONES PRENSADAS SWAGED FITTINGS



MP-002

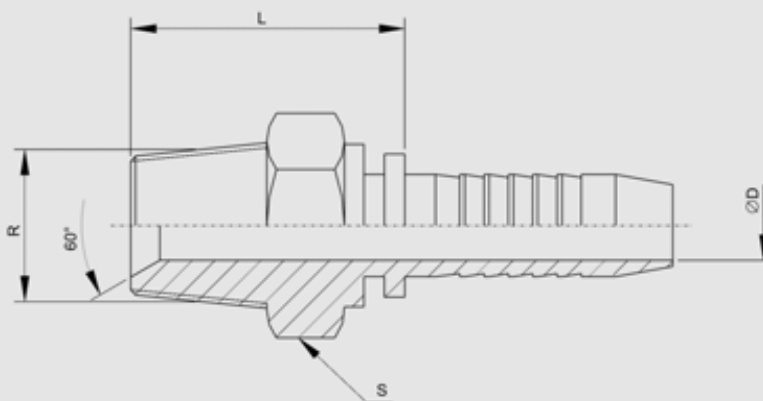
223

COD.	ØINT.TUB.	DN	R	L	ØD	S
0450020000	3/16"	4	1/8"-28	21	3	14
0450020020	3/16"	4	1/4"-19	26	3	19
0450020040	1/4"	6	1/8"-28	21	4	14
0450020060	1/4"	6	1/4"-19	27	4	19
0450020080	1/4"	6	3/8"-19	28	4	22
0450020090	1/4"	6	1/2"-14	32	4	27
0450020110	5/16"	8	1/4"-11	27	5,5	19
0450020140	5/16"	8	3/8"-19	28	5,5	22
0450020150	5/16"	8	1/2"-14	32	5,5	27
0450020170	3/8"	10	1/4"-19	27	7	19
0450020180	3/8"	10	3/8"-19	29	7	22
0450020240	3/8"	10	1/2"-14	32	7	27
0450020260	1/2"	13	3/8"-19	29	9,5	22
0450020300	1/2"	13	1/2"-14	33	9,5	27
0450020320	1/2"	13	5/8"-14	34	9,5	30
0450020340	1/2"	13	3/4"-14	35	9,5	32
0450020360	5/8"	16	1/2"-14	33	12	27
0450020380	5/8"	16	5/8"-14	34	12	30
0450020390	5/8"	16	3/4"-14	35	12	32
0450020400	3/4"	20	1/2"-14	34	15	25
0450020460	3/4"	20	3/4"-14	36	15	32
0450020500	3/4"	20	1"-11	39	15	41
0450020540	1"	25	1"-11	40	20	41
0450020580	1"	25	1"1/4-11	44	20	50
0450020620	1"1/4	32	1"1/4-11	45	26	50
0450020660	1"1/4	32	1"1/2-11	46	26	55
0450020700	1"1/2	40	1"1/2-11	46	32	55
0450020730	1"1/2	40	2"-11	53,5	32	70
0450020740	2"	50	2"-11	53,5	44	70

**MACHO CILÍNDRICO
BSP CONO 60°**

*BSP MALE PARALLEL
60° CONE
SEAT*

CONEXIONES PRENSADAS SWAGED FITTINGS



224

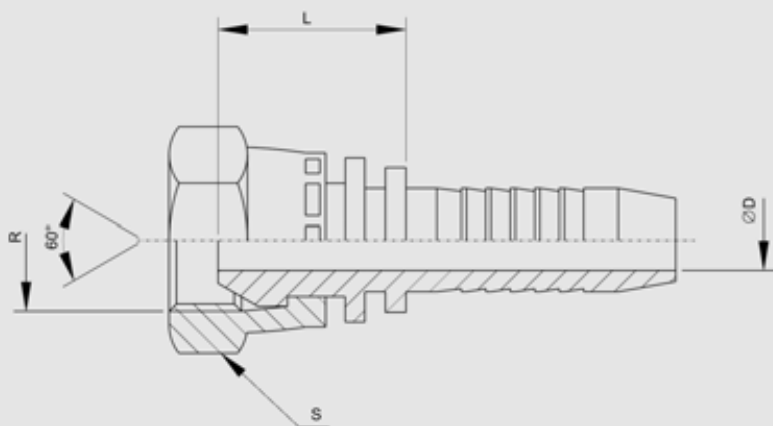
MP-084

**MACHO FIJO
NPTF**

**NPTF MALE 60°
CONE**

COD.	ØINT.TUB.	DN	R	L	ØD	S
0450840000	3/16"	4	1/8"-27	22	3	12
0450840020	3/16"	4	1/4"-18	28	3	15
0450840040	1/4"	6	1/8"-27	22	4	12
0450840060	1/4"	6	1/4"-18	28	4	15
0450840080	1/4"	6	3/8"-18	28	4	19
0450840110	5/16"	8	1/4"-18	28	5,5	15
0450840140	5/16"	8	3/8"-18	28	5,5	19
0450840170	3/8"	10	1/4"-18	28	7	15
0450840180	3/8"	10	3/8"-18	28	7	19
0450840240	3/8"	10	1/2"-14	34	7	22
0450840260	1/2"	13	3/8"-18	29	9,5	19
0450840300	1/2"	13	1/2"-14	35	9,5	22
0450840340	1/2"	13	3/4"-14	36	9,5	27
0450840360	5/8"	16	1/2"-14	35	12	22
0450840390	5/8"	16	3/4"-14	36	12	27
0450840460	3/4"	20	3/4"-14	37	15	27
0450840500	3/4"	20	1"-11 1/2	43	15	36
0450840540	1"	25	1"-11 1/2	44	20	36
0450840580	1"	25	1"1/4-11 1/2	46	20	46
0450840620	1"1/4	32	1"1/4-11 1/2	47	26	46
0450840700	1"1/2	40	1"1/2-11 1/2	49	32	50
0450840740	2"	50	2" 11 1/2	55	44	65

CONEXIONES PRENSADAS SWAGED FITTINGS



HP-004

225

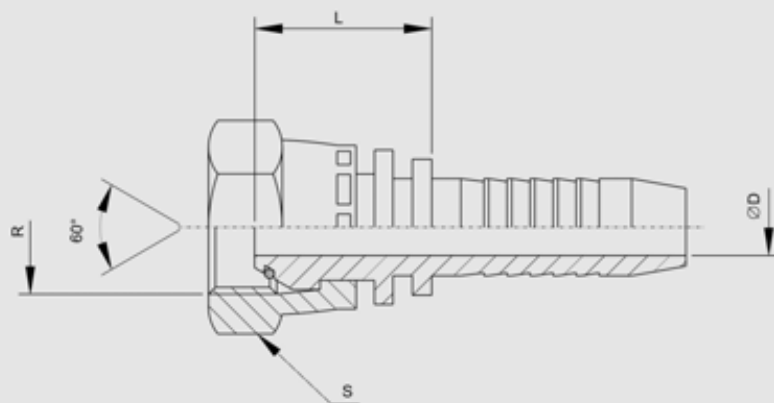


COD.	ØINT.TUB.	DN	R	L	ØD	S
0450040000	3/16"	4	1/8"-28	16	3	14
0450040020	3/16"	4	1/4"-19	18	3	19
0450040030	3/16"	4	3/8"-19	30	3	22
0450040040	1/4"	6	1/8"-28	16	4	14
0450040060	1/4"	6	1/4"-19	18	4	19
0450040080	1/4"	6	3/8"-19	20	4	22
0450040090	1/4"	6	1/2"-14	22	4	27
0450040110	5/16"	8	1/4"-19	18	5,5	19
0450040140	5/16"	8	3/8"-19	20	5,5	22
0450040150	5/16"	8	1/2"-14	22	5,5	27
0450040170	3/8"	10	1/4"-19	18	7	19
0450040180	3/8"	10	3/8"-19	20	7	22
0450040240	3/8"	10	1/2"-14	22	7	27
0450040260	1/2"	13	3/8"-14	20	9,5	22
0450040300	1/2"	13	1/2"-14	23	9,5	27
0450040320	1/2"	13	5/8"-14	23	9,5	30
0450040340	1/2"	13	3/4"-14	22	9,5	32
0450040360	5/8"	16	1/2"-14	23	12	27
0450040380	5/8"	16	5/8"-14	22	12	30
0450040390	5/8"	16	3/4"-14	22	12	32
0450040460	3/4"	20	3/4"-14	23	15	32
0450040500	3/4"	20	1"-11	25	15	38
0450040540	1"	25	1"-14	26	20	38

**HEMBRA GIRATO-
RIA BSP CONO 60°**

**BSP FEMALE 60°
CONE**

CONEXIONES PRENSADAS SWAGED FITTINGS



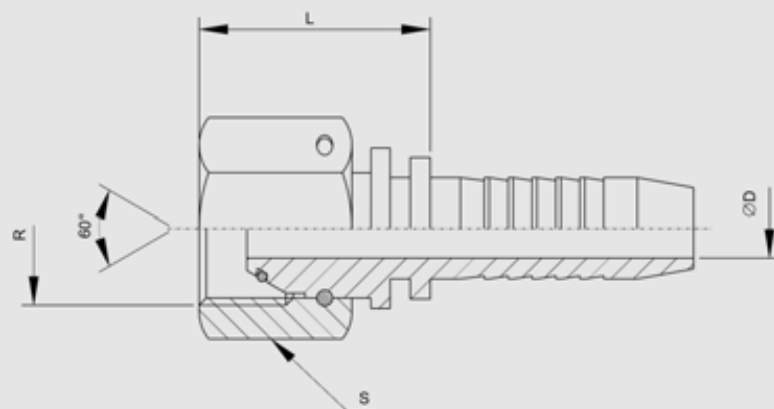
226

HP-105

**HEMBRA GIRATO-
RIA BSP CONO 60°,
CON JUNTA TÓRICA**

*BSP O-RING FEMA-
LE 60° CONE*

COD.	ØINT.TUB.	DN	R	L	ØD	S
0451050060	1/4"	6	1/4"	18	4	19
0451050180	3/8"	10	3/8"	19	7	22
0451050300	1/2"	13	1/2"	21	9,5	27
0451050460	3/4"	20	3/4"	23	15	32
0451050540	1"	25	1"	26	20	38



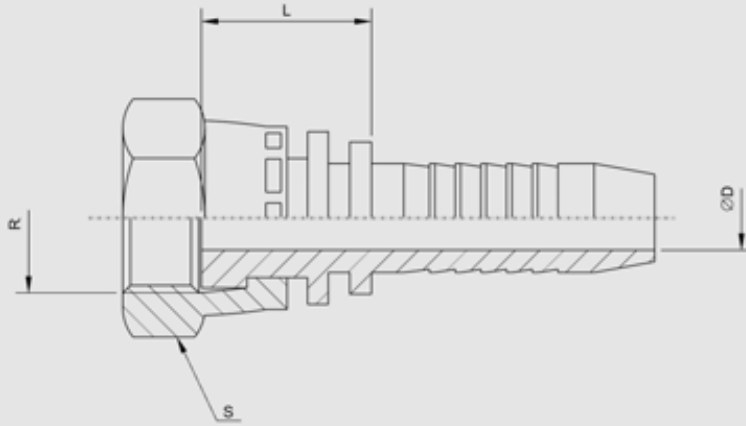
HP-105

**HEMBRA GIRATO-
RIA BSP CONO 60°,
CON JUNTA TÓRICA**

*BSP O-RING FEMA-
LE 60° CONE*

COD.	ØINT.TUB.	DN	R	L	ØD	S
0451050580	1"	25	1"1/4-11	30	20	50
0451050620	1"1/4	32	1"1/4-11	32	26	50
0451050660	1"1/4	32	1"1/2-11	34	26	55
0451050700	1"1/2	40	1"1/2-11	34	32	55
0451050730	1"1/2	40	2"-11	31	32	70
0451050740	2"	50	2"-11	31	44	70

CONEXIONES PRENSADAS SWAGED FITTINGS



HP-015

227

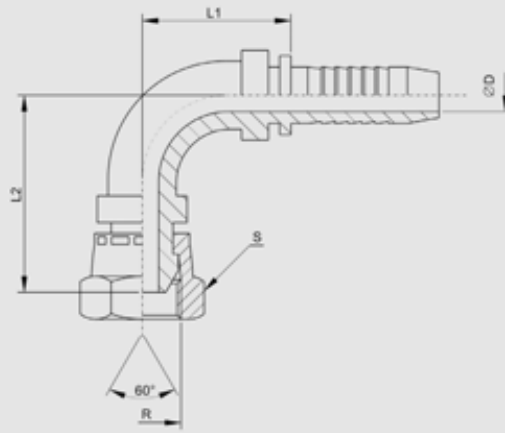


COD.	ØINT.TUB.	DN	R	L	ØD	S
0450150060	1/4"	6	1/4"-19	14	4	19
0450150080	1/4"	6	3/8"-19	15	4	22
0450150180	3/8"	10	3/8"-19	15	7	22
0450150240	3/8"	10	1/2"-14	16	7	22
0450150300	1/2"	13	1/2"-14	16	9,5	27
0450150340	1/2"	13	3/4"-14	20	9,5	32
0450150460	3/4"	20	3/4"-14	18	15	32
0450150540	1"	25	1"-11	20	20	38

**HEMBRA GIRATORIA
BSP ASIENTO
PLANO**

*BSP FEMALE FLAT
FACE*

CONEXIONES PRENSADAS SWAGED FITTINGS



228

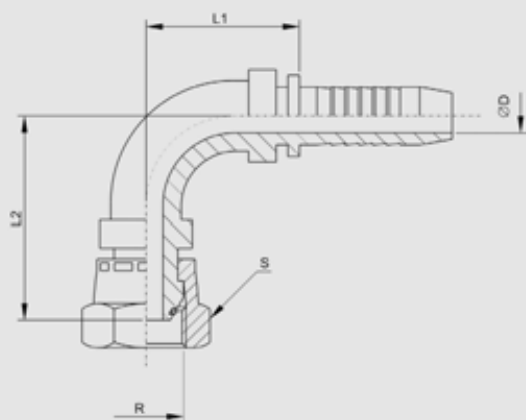
HP-007

**HEMBRA GIRATO-
RIA BSP A 90°
CONO 60°**

*BSP 90° SWEPT
ELBOW 60° CONE*

COD.	ØINT.TUB.	DN	R	L1	L2	ØD	S
0450070000	3/16"	4	1/8"-28	22	24	3	14
0450070020	3/16"	4	1/4"-19	22	26	3	19
0450070040	1/4"	6	1/8"-28	28	22	4	15
0450070060	1/4"	6	1/4"-19	25	28	4	19
0450070080	1/4"	6	3/8"-19	25	31	4	22
0450070140	5/16"	8	3/8"-19	29	36	5,5	22
0450070150	5/16"	8	1/2"-14	41	33	5,5	27
0450070180	3/8"	10	3/8"-19	33	35	7	22
0450070240	3/8"	10	1/2"-14	33	37	7	27
0450070260	1/2"	13	3/8"-19	39	41	9,5	22
0450070300	1/2"	13	1/2"-14	39	41	9,5	27
0450070320	1/2"	13	5/8"-14	39	44	9,5	30
0450070340	1/2"	13	3/4"-14	39	44	9,5	32
0450070380	5/8"	16	5/8"-14	45	49	12	30
0450070390	5/8"	16	3/4"-14	45	51	12	32
0450070460	3/4"	20	3/4"-14	56	54	15	32
0450070500	3/4"	20	1"-11	56	58	15	38
0450070540	1"	25	1"-11	70	65	20	38

CONEXIONES PRENSADAS SWAGED FITTINGS



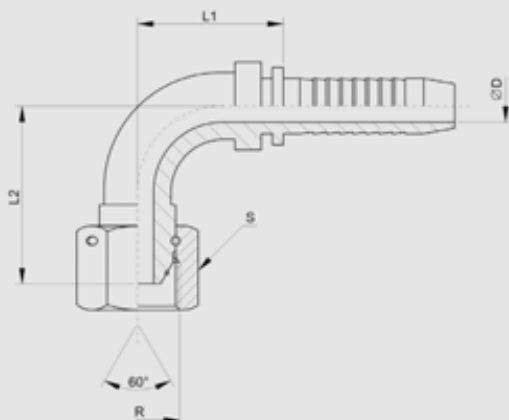
HP-108

229

COD.	ØINT.TUB.	DN	R	L1	L2	ØD	S
0451080060	1/4"	6	1/4"	25	27	4	19
0451080180	3/8"	10	3/8"	33	34	7	22
0451080300	1/2"	13	1/2"	39	40	9,5	27
0451080460	3/4"	20	3/4"	56	54	15	32
0451080540	1"	25	1"	70	66	20	38

**HEMBRA GIRATO-
RIA BSP A 90°
CONO 60°, CON
JUNTA TÓRICA**

*BSP O-RING 90°
SWEPT ELBOW 60°
CONE*



HP-108

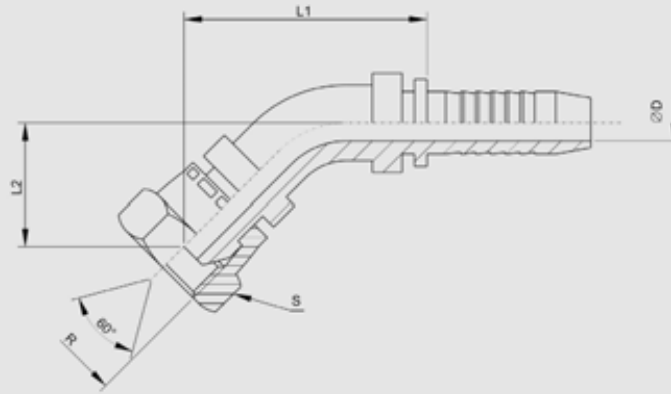
229

COD.	ØINT.TUB.	DN	R	L1	L2	ØD	S
0451080580	1"	25	1"1/4-11	72	79	20	50
0451080620	1"1/4	32	1"1/4-11	85	86	26	50
0451080660	1"1/4	32	1"1/2-11	85	93	26	55
0451080700	1"1/2	40	1"1/2-11	99	100	32	55
0451080730	1"1/2	40	2"-11	99	125	32	70
0451080740	2"	50	2"-11	125	132	44	70

**HEMBRA GIRATO-
RIA BSP A 90°
CONO 60°, CON
JUNTA TÓRICA**

*BSP O-RING 90°
SWEPT ELBOW 60°
CONE*

CONEXIONES PRENSADAS SWAGED FITTINGS



230

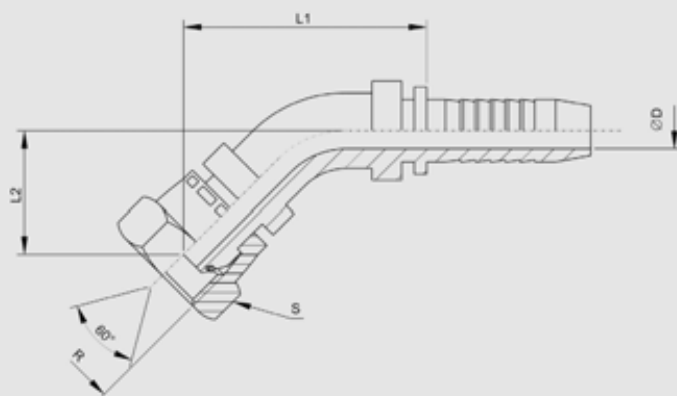
HP-010

**HEMBRA GIRATO-
RIA BSP A 45°
CONO 60°**

*BSP 45° SWEPT
ELBOW 60° CONE*

COD.	ØINT.TUB.	DN	R	L1	L2	ØD	S
0450100000	3/16"	4	1/8"-28	34	16	3	14
0450100020	3/16"	4	1/4"-19	37	17	3	19
0450100040	1/4"	6	1/8"-28	42	20	4	15
0450100060	1/4"	6	1/4"-19	35	16	4	19
0450100080	1/4"	6	3/8"-19	43	20	4	22
0450100140	5/16"	8	3/8"-19	38	21	5,5	22
0450100180	3/8"	10	3/8"-19	44	19	7	22
0450100240	3/8"	10	1/2"-14	41	22	7	27
0450100300	1/2"	13	1/2"-14	50	23	9,5	27
0450100320	1/2"	13	5/8"-14	65	24	9,5	30
0450100340	1/2"	13	3/4"-14	54	25	9,5	32
0450100380	5/8"	16	5/8"-14	59	27	12	30
0450100390	5/8"	16	3/4"-14	60	25	12	32
0450100460	3/4"	20	3/4"-14	70	28	15	32
0450100500	3/4"	20	1"-11	75	30	15	38
0450100540	1"	25	1"-11	84	35	20	38

CONEXIONES PRENSADAS SWAGED FITTINGS



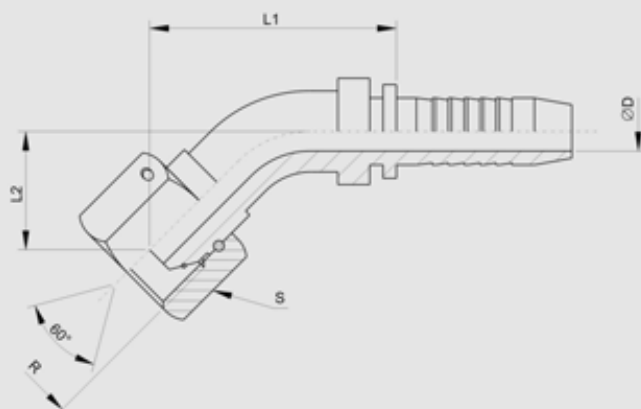
HP-111

231

COD.	ØINT.TUB.	DN	R	L1	L2	ØD	S
0451110060	1/4"	6	1/4"-19	37	16	4	19
0451110180	3/8"	10	3/8"-19	44	19	7	22
0451110300	1/2"	13	1/2"-14	52	23	9,5	27
0451110460	3/4"	20	3/4"-14	70	28	15	32
0451110540	1"	25	1"-11	84	35	20	38

**HEMBRA GIRATO-
RIA BSP A 45°
CONO 60°, CON
JUNTA TÓRICA**

*BSP O-RING 45°
SWEPT ELBOW 60°
CONE*



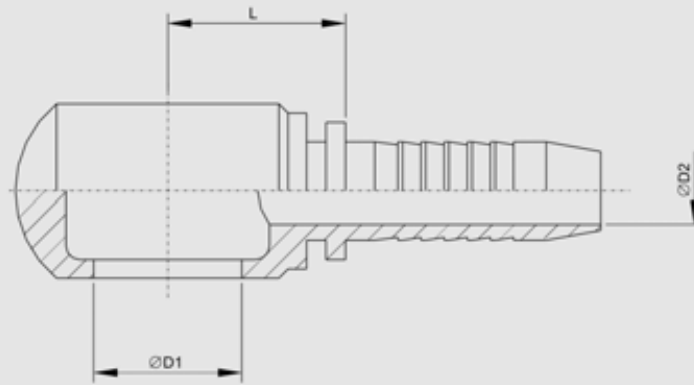
HP-111

COD.	ØINT.TUB.	DN	R	L1	L2	ØD	S
0451110580	1"	25	1"1/4-11	86	37	20	50
0451110620	1"1/4	32	1"1/4-11	103	50	26	50
0451110660	1"1/4	32	1"1/2-11	105	55	26	55
0451110700	1"1/2	40	1"1/2-11	116	55	32	55
0451110730	1"1/2	40	2"-11	117	66	32	70
0451110740	2"	50	2"-11	143	70	44	70

**HEMBRA GIRATO-
RIA BSP A 45°
CONO 60°, CON
JUNTA TÓRICA**

*BSP O-RING 45°
SWEPT ELBOW 60°
CONE*

CONEXIONES PRENSADAS SWAGED FITTINGS



232

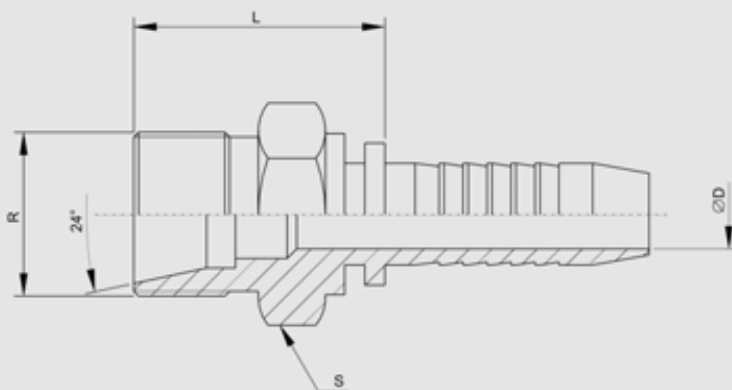
OP-057

**RACOR ESFÉRICO
SERIE GAS**

BSP BANJO

COD.	ØINT.TUB.	DN	L	ØD1	ØD2
0450570000	3/16"	4	19	1/8"	3
0450570030	3/16"	4	26	1/4"	3
0450570050	1/4"	6	25	1/8"	4
0450570020	1/4"	6	26	1/4"	4
0450570060	1/4"	6	26	3/8"	4
0450570130	5/16"	8	26	1/4"	6
0450570140	5/16"	8	26	3/8"	6
0450570170	3/8"	10	29	1/4"	7
0450570180	3/8"	10	26	3/8"	7
0450570240	3/8"	10	31	1/2"	7
0450570260	1/2"	13	27	3/8"	10
0450570300	1/2"	13	31	1/2"	10
0450570340	1/2"	13	38	3/4"	10
0450570380	5/8"	16	38	5/8"	12
0450570460	3/4"	20	38	3/4"	15
0450570500	3/4"	20	50	1"	15
0450570540	1"	25	51	1"	20
0450570620	1"1/4	32	53	1"1/4	26

CONEXIONES PRENSADAS SWAGED FITTINGS



MP-027

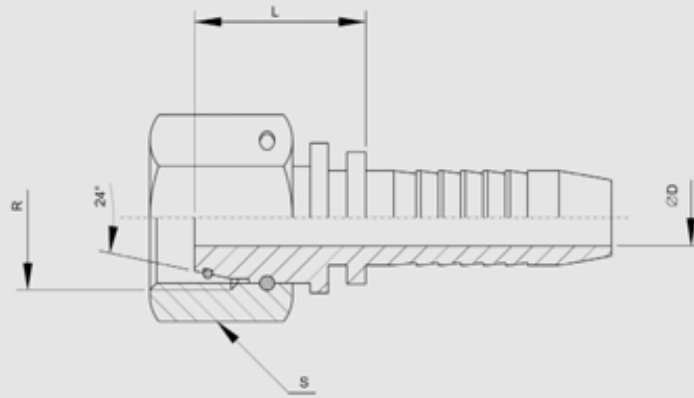
233

COD.	ØIN.TUB.	DN	R	DIN T.	L	ØD	S
0450270010	3/16"	4	M-12X1,5	6 L	22	3	14
0450270060	1/4"	6	M-12X1,5	6 L	23	4	14
0450270070	1/4"	6	M-14X1,5	8 L	22	4	15
0450270090	1/4"	6	M-16X1,5	10 L	23	4	17
0450270100	1/4"	6	M-18X1,5	12 L	24	4	19
0450270120	5/16"	8	M-14X1,5	8 L	23	4	15
0450270130	5/16"	8	M-16X1,5	10 L	23	5,5	17
0450270150	5/16"	8	M-18X1,5	12 L	24	5,5	19
0450270200	3/8"	10	M-16X1,5	10 L	23	7	17
0450270210	3/8"	10	M-18X1,5	12 L	24	7	19
0450270250	3/8"	10	M-22X1,5	15 L	25	7	22
0450270270	1/2"	13	M-18X1,5	12 L	25	9,5	19
0450270310	1/2"	13	M-22X1,5	15 L	26	9,5	22
0450270340	1/2"	13	M-26X1,5	18 L	27	9,5	27
0450270390	5/8"	16	M-26X1,5	18 L	27	12	27
0450270410	5/8"	16	M-30X2	22 L	33	12	32
0450270460	3/4"	20	M-26X1,5	18 L	28	15	27
0450270480	3/4"	20	M-30X2	22 L	33	15	30
0450270550	1"	25	M-36X2	28 L	32	20	36
0450270640	1"1/4	32	M-45X2	35 L	36	26	46
0450270660	1"1/4	32	1"7/8 16h	35 L	46	26	50
0450270720	1"1/2	40	M-52X2	42 L	38	32	55

**MACHO MÉTRICO
CONO 24° SERIE
LIGERA (STAN-
DARD)**

**METRIC MALE 24°
SEAT LIGHT**

CONEXIONES PRENSADAS SWAGED FITTINGS



234

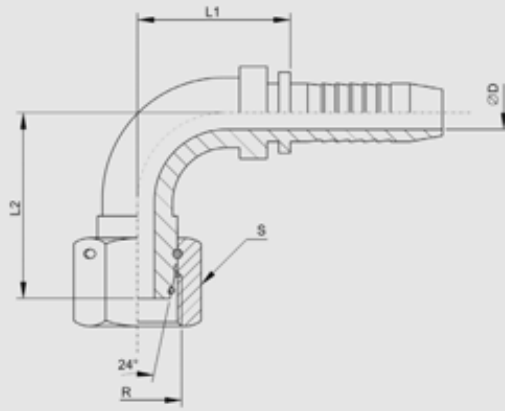
HP-031

**HEMбра GIRATO-
RIA MÉTRICA CONO
24° SERIE LIGERA
CON JUNTA TÓRICA**

**METRIC FEMALE 24°
SEAT LIGHT WITH
O-RING**

COD.	ØIN.TUB.	DN	R	DIN T.	L	ØD	S
0450310010	3/16"	4	M-12X1,5	6 L	23	3	14
0450310060	1/4"	6	M-12X1,5	6 L	19	4	14
0450310070	1/4"	6	M-14X1,5	8 L	23	4	17
0450310090	1/4"	6	M-16X1,5	10 L	23	4	19
0450310100	1/4"	6	M-18X1,5	12 L	24	4	22
0450310120	5/16"	8	M-14X1,5	8 L	23	4	17
0450310130	5/16"	8	M-16X1,5	10 L	23	5,5	19
0450310150	5/16"	8	M-18X1,5	12 L	26	5,5	22
0450310200	3/8"	10	M-16X1,5	10 L	25	7	19
0450310210	3/8"	10	M-18X1,5	12 L	24	7	22
0450310250	3/8"	10	M-22X1,5	15 L	28	7	27
0450310310	1/2"	13	M-22X1,5	15 L	28	9,5	27
0450310390	5/8"	16	M-26X1,5	18 L	29	12	32
0450310410	5/8"	16	M-30X2	22 L	29	12	36
0450310460	3/4"	20	M-26X1,5	18 L	29	15	32
0450310480	3/4"	20	M-30X2	22 L	29	15	36
0450310550	1"	25	M-36X2	28 L	30	20	41
0450320630	1"1/4	32	M-45X2	35 L	40	26	50
0450320710	1"1/2	40	M-52X2	42 L	41	32	60

CONEXIONES PRENSADAS SWAGED FITTINGS



HP-035

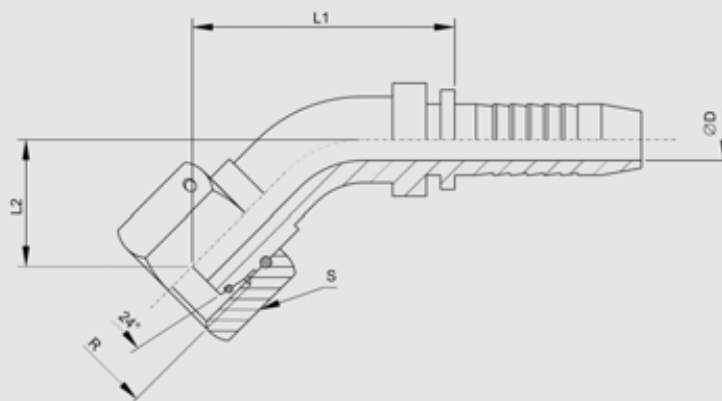
235

COD.	ØIN.TUB.	DN	R	DIN T.	L1	L2	ØD	S
0450350010	3/16"	4	M-12X1,5	6 L	25	24	3	14
0450350060	1/4"	6	M-12X1,5	6 L	28	31	3	14
0450350070	1/4"	6	M-14X1,5	8 L	28	31	4	17
0450350090	1/4"	6	M-16X1,5	10 L	28	27	4	19
0450350100	1/4"	6	M-18X1,5	12 L	25	31	4	22
0450350130	5/16"	8	M-16X1,5	10 L	34	31	5,5	19
0450350150	5/16"	8	M-18X1,5	12 L	30	34	5,5	22
0450350200	3/8"	10	M-16X1,5	10 L	32	30	7	19
0450350210	3/8"	10	M-18X1,5	12 L	32	40	7	22
0450350250	3/8"	10	M-22X1,5	15 L	33	48	7	27
0450350310	1/2"	13	M-22X1,5	15 L	43	36	9,5	27
0450350390	5/8"	16	M-26X1,5	18 L	46	53	12	32
0450350410	5/8"	16	M-30X2	22 L	51,5	54	15	36
0450350460	3/4"	20	M-26X1,5	18 L	58	49	15	32
0450350480	3/4"	20	M-30X2	22 L	57	50	15	36
0450350550	1"	25	M-36X2	28 L	72	58	20	41
0450360630	1"1/4	32	M-45X2	35 L	83	81	26	50
0450360710	1"1/2	40	M-52X2	42 L	100	93	32	55

**HEMBRA GIRATORIA
MÉTRICA A 90° CONO
24° SERIE LIGERA
CON JUNTA TÓRICA**

*90° METRIC SWEPT
ELBOW 24° SEAT
LIGHT WITH O-RING*

CONEXIONES PRENSADAS SWAGED FITTINGS



236

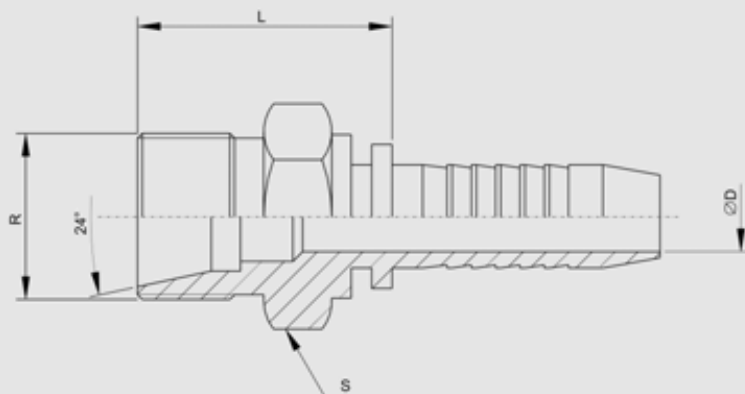
HP-039

**HEMBRA GIRATORIA
MÉTRICA A 45° CONO
24° SERIE LIGERA
CON JUNTA TÓRICA**

*45° METRIC SWEPT
ELBOW 24° SEAT
LIGHT WITH O-RING*

COD.	ØIN.TUB.	DN	R	DIN T.	L1	L2	ØD	S
0450390010	3/16"	4	M-12X1,5	6 L	37	13	3	14
0450390060	1/4"	6	M-12X1,5	6 L	38	16	4	14
0450390070	1/4"	6	M-14X1,5	8 L	42	20	4	17
0450390090	1/4"	6	M-16X1,5	10 L	36	14	4	19
0450390100	1/4"	6	M-18x1,5	12 L	39	17	4	22
0450390130	5/16"	8	M-16X1,5	10 L	39	20	5,5	19
0450390150	5/16"	8	M-18X1,5	12 L	46	19	5,5	22
0450390200	3/8"	10	M-16X1,5	10 L	60	21	7	19
0450390210	3/8"	10	M-18X1,5	12 L	44	19	7	22
0450390250	3/8"	10	M-22X1,5	15 L	43	18	7	27
0450390310	1/2"	13	M-22X1,5	15 L	47	23	9,5	27
0450390390	5/8"	16	M-26X1,5	18 L	69	23	12	32
0450390480	3/4"	20	M-30X2	22 L	84	30	15	36
0450390550	1"	25	M-36X2	28 L	80	35	20	41
04550390460	3/4"	20	M-26X1,5	18 L	70	23	12	32
0450400630	1"1/4	32	M-45X2	35 L	100	45	26	50
0450400710	1"1/2	40	M-52X2	42 L	111	50	32	60

CONEXIONES PRENSADAS SWAGED FITTINGS



MP-029

237

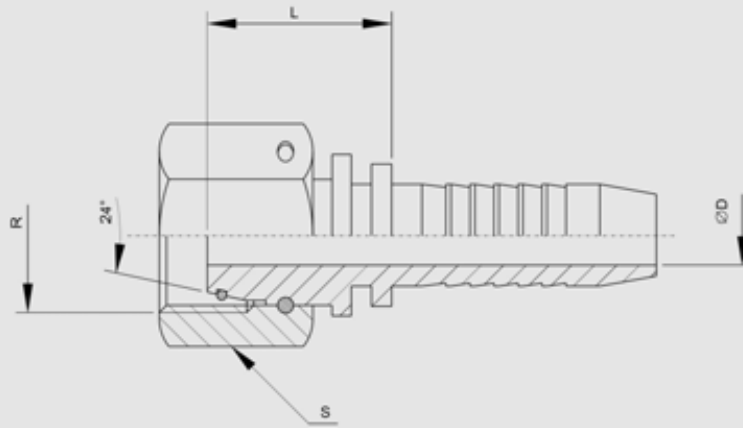


COD.	ØIN.TUB.	DN	R	DIN T.	L	ØD	S
0450290020	3/16"	4	M-16X1,5	8 S	26	3	17
0450290090	1/4"	6	M-16X1,5	8 S	27	4	17
0450290100	1/4"	6	M-18X1,5	10 S	27	4	19
0450290140	1/4"	6	M-20x1,5	12 S	29	4	22
0450290130	5/16"	8	M-16X1,5	8 S	54	5,5	17
0450290150	5/16"	8	M-18X1,5	10 S	27,2	5,5	19
0450290160	5/16"	8	M-20X1,5	12 S	29	5,5	22
0450290210	3/8"	10	M-18x1,5	10 S	27	7	22
0450290230	3/8"	10	M-20X1,5	12 S	29	7	22
0450290250	3/8"	10	M-22X1,5	14 S	31	7	22
0450290260	3/8"	10	M-24x1,5	16 S	31	7	24
0450290330	1/2"	13	M-24X1,5	16 S	32	9,5	24
0450290410	5/8"	16	M-30X2	20 S	34	12	30
0450290480	3/4"	20	M-30X2	20 S	35	15	30
0450290500	3/4"	20	M-36X2	25 S	38	15	36
0450290550	1"	25	M-36X2	25 S	39	20	36
0450290580	1"	25	M-42X2	30 S	42	20	46
0450290620	1"1/4	32	M-42x2	30 S	43	26	46
0450290670	1"1/4	32	M-52X2	38 S	50	26	55
0450290720	1"1/2	40	M-52X2	38 S	50	32	55

**MACHO MÉTRICO
CONO 24° SERIE
PESADA**

**METRIC MALE 24°
SEAT HEAVY**

CONEXIONES PRENSADAS SWAGED FITTINGS



238

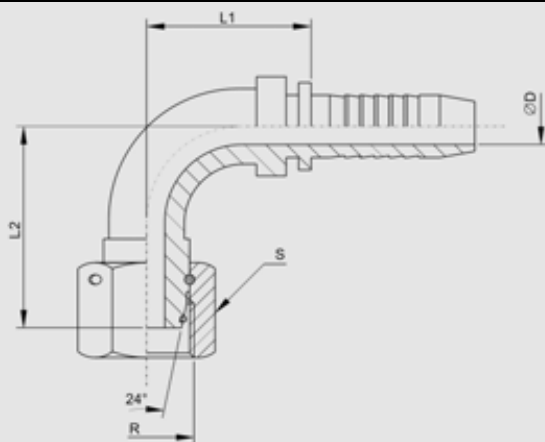
HP-045

**HEMBRA GIRATO-
RIA MÉTRICA
RECTA CONO 24°
SERIE PESADA CON
JUNTA TORICA**

*METRIC FEMALE 24°
SEAT HEAVY WITH
O-RING*

COD.	ØIN.TUB.	DN	R	DIN T.	L	ØD	S
0450450090	1/4"	6	M-16X1,5	8 S	25	4	19
0450450100	1/4"	6	M-18X1,5	10 S	24	4	22
0450450130	5/16"	8	M-16X1,5	8 S	19	5	19
0450450150	5/16"	8	M-18X1,5	10 S	24	5,5	22
0450450160	5/16"	8	M-20X1,5	12 S	26	5,5	24
0450450210	3/8"	10	M-18x1,5	10 S	24	7	22
0450450230	3/8"	10	M-20X1,5	12 S	26	7	24
0450450250	3/8"	10	M-22X1,5	14 S	29	7	27
0450450330	1/2"	13	M-24X1,5	16 S	29	9,5	30
0450450420	5/8"	16	M-30X2	20 S	33	12	36
0450450480	3/4"	20	M-30X2	20 S	34	15	36
0450450500	3/4"	20	M-36X2	25 S	40	15	46
0450450550	1"	25	M-36X2	25 S	41	20	46
0450450580	1"	25	M-42X2	30 S	43	20	50
0450450670	1"1/4	32	M-52X2	38 S	44	26	60
0450450720	1"1/2	40	M-52X2	38 S	44	32	60

CONEXIONES PRENSADAS SWAGED FITTINGS



HP-049

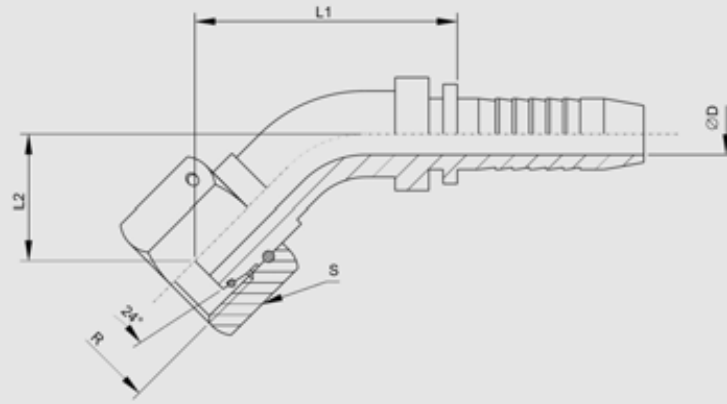
239

COD.	ØIN.TUB.	DN	R	DIN T.	L1	L2	ØD	S
0450490090	1/4"	6	M-16X1,5	8 S	26	28	4	19
0450490100	1/4"	6	M-18X1,5	10 S	27	30	4	22
0450490160	5/16"	8	M-20X1,5	12 S	31	35	5,5	24
0450490210	3/8"	10	M-18x1,5	10 S	34	34	7	22
0450490230	3/8"	10	M-20X1,5	12 S	34	34	7	24
0450490250	3/8"	10	M-22X1,5	14 S	33	33	7	27
0450490330	1/2"	13	M-24X1,5	16 S	45	47	9,5	30
0450490420	5/8"	16	M-30X2	20 S	46	50	12	36
0450490480	3/4"	20	M-30X2	20 S	58	55	15	36
0450490500	3/4"	20	M-36X2	25 S	56	59	15	46
0450490550	1"	25	M-36X2	25 S	72	66	20	46
0450490580	1"	25	M-42X2	30 S	72	66	20	50
0450490670	1"1/4	32	M-52X2	38 S	86	86	26	60
0450490720	1"1/2	40	M-52X2	38 S	100	94	32	60

**HEMERA GIRATORIA
MÉTRICA A 90° CONO
24° SERIE PESADA
CON JUNTA TÓRICA**

**90° METRIC SWEPT
ELBOW 24° SEAT
HEAVY WITH O-RING**

CONEXIONES PRENSADAS SWAGED FITTINGS



240

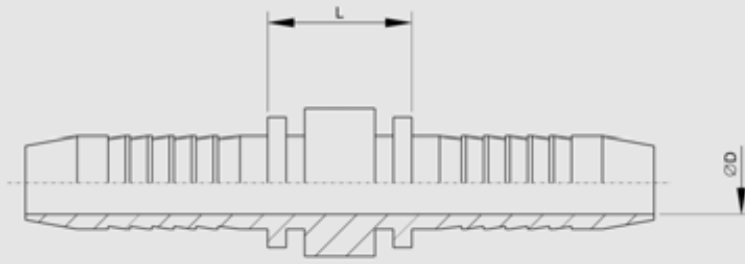
HP-053

**HEMBRA GIRATORIA
MÉTRICA A 45° CONO
24° SERIE PESADA
CON JUNTA TÓRICA**

**45° METRIC SWEPT
ELBOW 24° SEAT
HEAVY WITH O-RING**

COD.	ØIN.TUB.	DN	R	DIN T.	L1	L2	ØD	S
0450530090	1/4"	6	M-16X1,5	8 S	36	15	4	19
0450530100	1/4"	6	M-18X1,5	10 S	40	16	4	22
0450530150	5/16"	8	M-18X1,5	10 S	43	19	5,5	22
0450530160	5/16"	8	M-20X1,5	12 S	42	19	5,5	24
0450530230	3/8"	10	M-20X1,5	12 S	39	18	7	24
0450530250	3/8"	10	M-22X1,5	14 S	44	19	7	27
0450530330	1/2"	13	M-24X1,5	16 S	49	20	9,5	30
0450530420	5/8"	16	M-30X2	20 S	63	27	12	36
0450530480	3/4"	20	M-30X2	20 S	73	30	15	36
0450530500	3/4"	20	M-36X2	25 S	72	32	15	46
0450530550	1"	25	M-36X2	25 S	87	40	20	46
0450530580	1"	25	M-42X2	30 S	84	35	20	50
0450530670	1"1/4	32	M-52X2	38 S	105	50	26	60
0450530720	1"1/2	40	M-52X2	38 S	115	48	32	60

CONEXIONES PRENSADAS SWAGED FITTINGS



EP-096

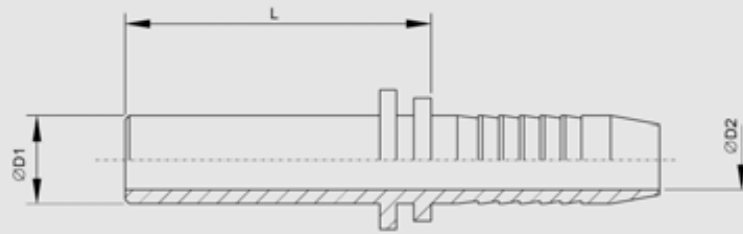
241

COD.	ØINT.TUB.	DN	L	ØD
0450960010	3/16"	4	17	3
0450960060	1/4"	6	17	4
0450960120	5/16"	8	17	5,5
0450960180	3/8"	10	17	7
0450960300	1/2"	13	18	9,5
0450960380	5/8"	16	18	12
0450960460	3/4"	20	19	15
0450960540	1"	25	21	20
0450960620	1"1/4	32	24	26

**ESPIGA LISA
MÉTRICA DOBLE**

**HOSE
JUNCTION**

CONEXIONES PRENSADAS SWAGED FITTINGS



242

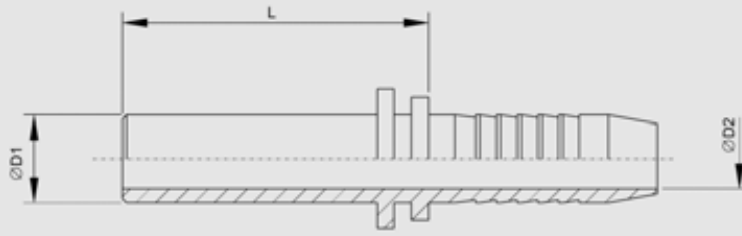
EP-024

**ESPIGA LISA
MÉTRICA**

**METRIC STANDPIPE
STRAIGHT**

COD.	ØINT.TUB.	DN	ØD1	L	ØD2
0450240020	3/16"	4	6	30	3
0450240040	3/16"	4	8	29	3
0450240060	1/4"	6	6	32	4
0450240070	1/4"	6	8	29	4
0450240090	1/4"	6	10	32	4
0450240100	1/4"	6	12	30	4
0450240110	5/16"	8	8	29	5,5
0450240130	5/16"	8	10	30	5,5
0450240150	5/16"	8	12	32	5,5
0450240190	3/8"	10	10	31	7
0450240200	3/8"	10	12	31	7
0450240210	3/8"	10	14	36	7
0450240230	3/8"	10	15	32	7
0450240250	1/2"	13	12	30,9	8
0450240270	1/2"	13	14	37	9,5
0450240290	1/2"	13	15	33	9,5
0450240310	1/2"	13	16	38	9,5
0450240360	1/2"	13	18	34	9,5
0450240390	5/8"	16	18	34	12
0450240410	5/8"	16	20	44	12
0450240430	5/8"	16	22	36	12
0450240440	3/4"	20	18	34	15
0450240460	3/4"	20	20	45	15
0450240480	3/4"	20	22	36	15
0450240510	3/4"	20	25	49	15
0450240560	1"	25	25	49	20
0450240590	1"	25	28	39	20
0450240600	1"	25	30	54	20
0450240610	1"	25	38	61,3	26
0450240620	1"1/4	32	30	55	26
0450240630	1"1/4	32	35	47	26
0450240640	1"1/4	32	38	61	26
0450240710	1"1/2	40	38	61	32
0450240720	1"1/2	40	42	49	32

CONEXIONES PRENSADAS SWAGED FITTINGS



EP-024 GAS

243

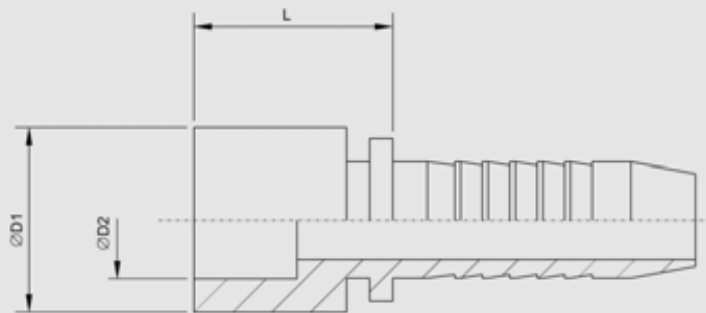


COD.	ØINT.TUB.	DN	ØD1	L	ØD2
0450240840	5/16"	8	13,25	35	8
0450240860	3/8"	10	13,25	35	7
0450240880	1/2"	13	16,75	37	12
0450240890	1/2"	13	21,25	40	14
0450240900	5/8"	16	21,25	40	14
0450240930	3/4"	20	26,75	42	20
0450240950	1"	25	33,50	46	25

**ESPIGA
LISA GAS**

**GAS STANDPIPE
STRAIGHT**

CONEXIONES PRENSADAS SWAGED FITTINGS



244

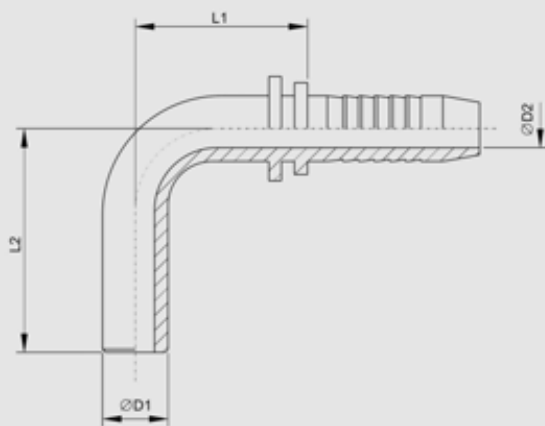
EP-097

**ESPIGA LISA
SOLDAR**

BRAZING TAIL

COD.	ØINT.TUB.	DN	ØD1	L	ØD2
0450970010	3/16"	4	10	11,5	6
0450970070	1/4"	6	12	13	8
0450970130	5/16"	8	14	13,5	10
0450970200	3/8"	10	16	13,5	12
0450970210	3/8"	10	18	13,5	14
0450970290	1/2"	13	20	14	15
0450970310	1/2"	13	20	14	16
0450970390	5/8"	16	23	15	18
0450970480	3/4"	20	26	16	22
0450970590	1"	25	34	18,5	28
0450970630	1"1/4	32	40	21,5	35
0450970720	1"1/2	40	50	21,5	40
0450970760	2"	50	60	23	50

CONEXIONES PRENSADAS SWAGED FITTINGS



EP-025

245

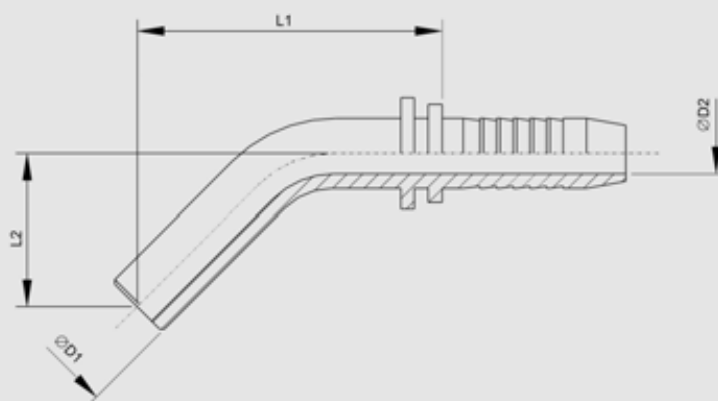


COD.	ØINT.TUB.	DN	ØD1	L1	L2	ØD2
0450250020	3/16"	4	6	24	37	3
0450250040	3/16"	4	8	24	39	3
0450250060	1/4"	6	6	25	37	4
0450250070	1/4"	6	8	25	39	4
0450250090	1/4"	6	10	25	42	4
0450250100	1/4"	6	12	25	45	4
0450250130	5/16"	8	10	29	42	5,5
0450250150	5/16"	8	12	29	45	5,5
0450250190	3/8"	10	10	30	42	7
0450250200	3/8"	10	12	30	45	7
0450250210	3/8"	10	14	33	49	7
0450250230	3/8"	10	15	38	53	7
0450250270	1/2"	13	14	34	49	9,5
0450250290	1/2"	13	15	39	53	9,5
0450250310	1/2"	13	16	42	56	9,5
0450250360	1/2"	13	18	42	56	9,5
0450250390	5/8"	16	18	42	56	12
0450250410	5/8"	16	20	47	65	12
0450250430	5/8"	16	22	53	70	12
0450250460	3/4"	20	20	48	65	15
0450250480	3/4"	20	22	53	70	15
0450250510	3/4"	20	25	56	75	15
0450250560	1"	25	25	60	75	20
0450250590	1"	25	28	67	83	20
0450250600	1"	25	30	68	88	20
0450250620	1"1/4	32	30	67	88	26
0450250630	1"1/4	32	35	77	96	26
0450250640	1"1/4	32	38	81	105	26
0450250710	1"1/2	40	38	81	105	32
0450250730	1"1/2	40	42	91	115	32

**ESPIGA LISA
MÉTRICA A 90°**

**90° METRIC
STANDPIPE**

CONEXIONES PRENSADAS SWAGED FITTINGS



246

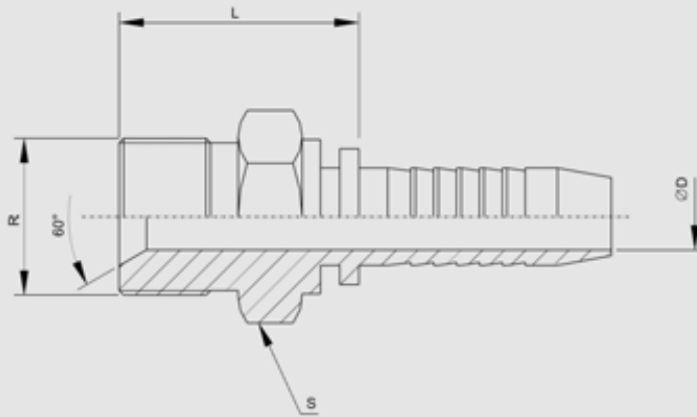
EP-026

**ESPIGA LISA
MÉTRICA A 45°**

**45° METRIC
STANDPIPE**

COD.	ØINT.TUB.	DN	ØD1	L1	L2	ØD2
0450260020	3/16"	4	6	41	20	3
0450260040	3/16"	4	8	44	23	3
0450260060	1/4"	6	6	42	30	4
0450260070	1/4"	6	8	41	29	4
0450260090	1/4"	6	10	42	30	4
0450260100	1/4"	6	12	42	30	4
0450260130	5/16"	8	10	50	25	5,5
0450260150	5/16"	8	12	53	26	5,5
0450260190	3/8"	10	10	51	34	7
0450260200	3/8"	10	12	54	34	7
0450260210	3/8"	10	14	51	27	7
0450260230	3/8"	10	15	55	28	7
0450260270	1/2"	13	14	52	27	9,5
0450260290	1/2"	13	15	56	28	9,5
0450260310	1/2"	13	16	55	28	9,5
0450260360	1/2"	13	18	59	31	9,5
0450260390	5/8"	16	18	59	31	12
0450260410	5/8"	16	20	65	33	12
0450260430	5/8"	16	22	68	35	12
0450260460	3/4"	20	20	66	33	15
0450260480	3/4"	20	22	67	35	15
0450260510	3/4"	20	25	77	39	15
0450260560	1"	25	25	81	39	20
0450260590	1"	25	28	92	38	20
0450260600	1"	25	30	91	44	20
0450260610	1"1/4	32	30	91	44	26
0450260630	1"1/4	32	35	97	46	26
0450260640	1"1/4	32	38	103	51	26
0450260700	1"1/2	40	38	103	51	32
0450260720	1"1/2	40	42	113	92	32

CONEXIONES PRENSADAS SWAGED FITTINGS



MP-016

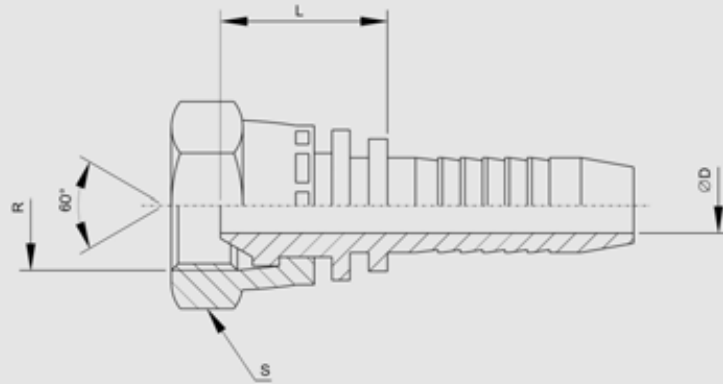
247

COD.	ØINT.TUB.	DN	R	L	ØD	S
0450160010	3/16"	4	M-12X1,5	25	3	17
0450160060	1/4"	6	M-12X1,5	26	4	17
0450160070	1/4"	6	M-14X1,5	26	4	19
0450160090	1/4"	6	M-16X1,5	26	4	22
0450160130	5/16"	8	M-16X1,5	26	5,5	22
0450160150	5/16"	8	M-18x1,5	27	5,5	24
0450160190	3/8"	10	M-14X1,5	26	7	19
0450160200	3/8"	10	M-16X1,5	26	7	22
0450160210	3/8"	10	M-18X1,5	27	7	24
0450160230	3/8"	10	M-20X1,5	30,9	7	27
0450160250	3/8"	10	M-22X1,5	31,9	7	27
0450160270	1/2"	13	M-18X1,5	28	9,5	24
0450160310	1/2"	13	M-22X1,5	30	9,5	27
0450160390	5/8"	16	M-26X1,5	32	12	32
0450160460	3/4"	20	M-26x1,5	33	15	32
0450160480	3/4"	20	M-30X1,5	36	15	36
0450160560	1"	25	M-38X1,5	37	20	46
0450160630	1"1/4	32	M-45X1,5	39	26	55

**MACHO MÉTRICO
CONO 60°**

**METRIC MALE 60°
CONE**

CONEXIONES PRENSADAS SWAGED FITTINGS



248

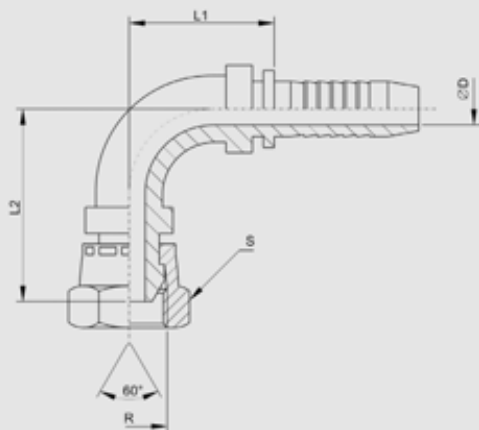
HP-017

HEMBRA
GIRATORIA
MÉTRICA CONO 60°

METRIC FEMALE
60° CONE

COD.	ØINT.TUB.	DN	R	L	ØD	S
0450170000	3/16"	4	M-10x1	16	3	14
0450170010	3/16"	4	M-12X1,5	18	3	17
0450170060	1/4"	6	M-12X1,5	18	4	17
0450170070	1/4"	6	M-14X1,5	18	4	19
0450170090	1/4"	6	M-16X1,5	20	4	22
0450170100	1/4"	6	M-18x1,5	20	4	24
0450170120	5/16"	8	M-14x1,5	18	5,5	19
0450170120	5/16"	8	M-16X1,5	20	5,5	22
0450170150	5/16"	8	M-18X1,5	20	5,5	24
0450170190	3/8"	10	M-14X1,5	18	7	19
0450170200	3/8"	10	M-16X1,5	20	7	22
0450170210	3/8"	10	M-18X1,5	20	7	24
0450170230	3/8"	10	M-20X1,5	22	7	25
0450170250	3/8"	10	M-22X1,5	22	7	27
0450170260	1/2"	13	M-16x1,5	20	9,5	22
0450170270	1/2"	13	M-18X1,5	20	9,5	24
0450170310	1/2"	13	M-22X1,5	23	9,5	27
0450170340	1/2"	13	M-26x1,5	22	9,5	32
0450170390	5/8"	16	M-26X1,5	22	12	32
0450170410	5/8"	16	M-30X1,5	23	15	36
0450170460	3/4"	20	M-26X1,5	23	15	32
0450170480	3/4"	20	M-30X1,5	24	15	36
0450170560	1"	25	M-38X1,5	31	20	46
0450170630	1 1/4"	32	M-45x1,5	37	26	55

CONEXIONES PRENSADAS SWAGED FITTINGS



HP-020

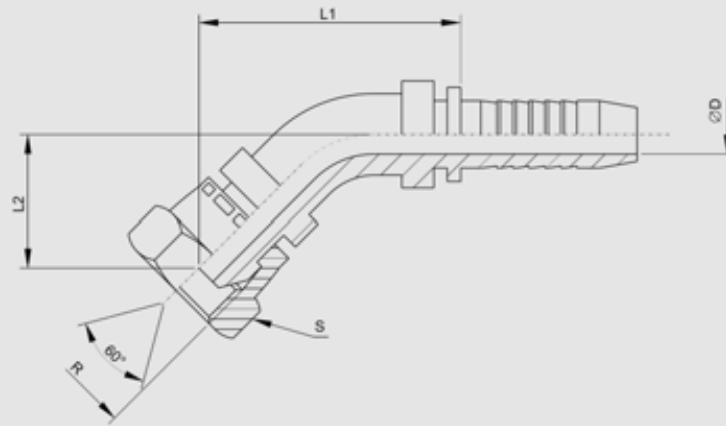
249

COD.	ØINT.TUB.	DN	R	L1	L2	ØD	S
0450200000	3/16"	4	M-10x1	22	24	3	14
0450200010	3/16"	4	M-12x1,5	22	25	3	17
0450200060	1/4"	6	M-12X1,5	25	28	4	17
0450200070	1/4"	6	M-14X1,5	25	28	4	19
0450200090	1/4"	6	M-16X1,5	25	31	4	22
0450200130	5/16"	8	M-16X1,5	29	36	5,5	22
0450200150	5/16"	8	M-18X1,5	29	35	5,5	24
0450200190	3/8"	10	M-14x1,5	33	31	7	19
0450200200	3/8"	10	M-16X1,5	33	34	7	22
0450200210	3/8"	10	M-18X1,5	33	34	7	24
0450200230	3/8"	10	M-20X1,5	33	42	7	27
0450200250	3/8"	10	M-22X1,5	33	42	7	27
0450200270	1/2"	13	M-18X1,5	39	39	9,5	24
0450200310	1/2"	13	M-22X1,5	39	41	9,5	27
0450200390	5/8"	16	M-26X1,5	45	47	12	32
0450200410	5/8"	16	M-30X1,5	46	56	15	36
0450200460	3/4"	20	M-26X1,5	56	54	15	32
0450200480	3/4"	20	M-30X1,5	56	55	15	36
0450200560	1"	25	M-38X1,5	70	78	20	46

**HEMBRA GIRATO-
RIA MÉTRICA A 90°
CONO 60°**

**90° METRIC SWEPT
ELBOW 60° CONE**

CONEXIONES PRENSADAS SWAGED FITTINGS



250

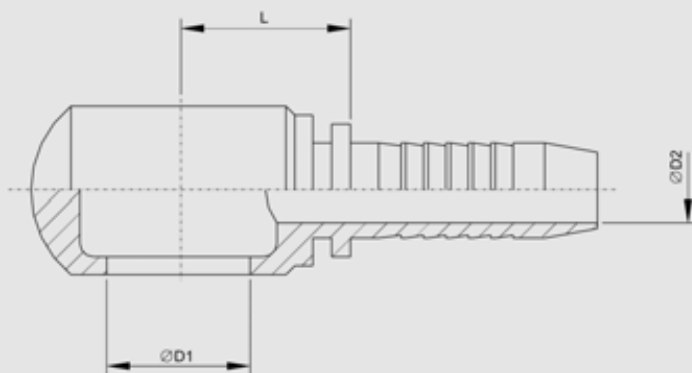
HP-022

**HEMBRA GIRATO-
RIA MÉTRICA A 45°
CONO 60°**

**45° METRIC SWEPT
ELBOW 60° CONE**

COD.	ØINT.TUB.	DN	R	L1	L2	ØD	S
0450220000	3/16"	4	M-10x1	33	16	3	14
0450220010	3/16"	4	M-12x1,5	34	17	3	17
0450220060	1/4"	6	M-12X1,5	36	16	4	17
0450220070	1/4"	6	M-14X1,5	36	16	4	19
0450220090	1/4"	6	M-16X1,5	38	18	4	22
0450220130	5/16"	8	M-16X1,5	37	21	5,5	22
0450220150	5/16"	8	M-18X1,5	37	21	5,5	24
0450220190	3/8"	10	M-14x1,5	41	17	7	19
0450220200	3/8"	10	M-16X1,5	43	19	7	22
0450220210	3/8"	10	M-18X1,5	43	19	7	24
0450220230	3/8"	10	M-20X1,5	50	19,5	7	27
0450220250	3/8"	10	M-22X1,5	50	19,5	7	27
0450220270	1/2"	13	M-18X1,5	51	22	9,5	24
0450220310	1/2"	13	M-22X1,5	52	24	9,5	27
0450220390	5/8"	16	M-26X1,5	59	25	12	32
0450220420	5/8"	16	M-30X1,5	59	30	15	36
0450220460	3/4"	20	M-26X1,5	69	28	15	32
0450220480	3/4"	20	M-30X1,5	70	29	15	36
0450220560	1"	25	M-38X1,5	87	42	20	4

CONEXIONES PRENSADAS SWAGED FITTINGS



OP-056

251

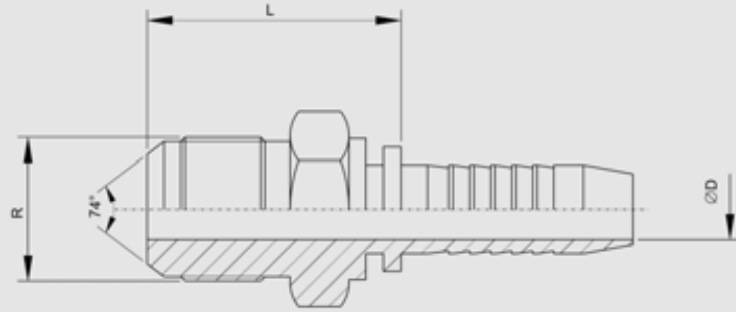


COD.	ØINT.TUB.	DN	ØD1	L	ØD2
0450560010	3/16"	6	M-8x1	21	3
0450560020	3/16"	6	M-10x1	19	3
0450560030	1/4"	6	M-10x1	25	4
0450560050	1/4"	6	M-12x1,5	27	4
0450560070	1/4"	6	M-14x1,5	27	4
0450560110	5/16"	8	M-12x1,5	22	5,5
0450560120	5/16"	8	M-14X1,5	28	5,5
0450560130	5/16"	8	M-16x1,5	26	5,5
0450560150	5/16"	8	M-18x1,5	29	5,5
0450560190	3/8"	10	M-14x1,5	25	7
0450560200	3/8"	10	M-16x1,5	26	7
0450560210	3/8"	10	M-18x1,5	29	7
0450560270	1/2"	13	M-18x1,5	29	9,5
0450560310	1/2"	13	M-22X1,5	31	9,5
0450560370	5/8"	16	M-22x1,5	31	12
0450560470	3/4"	20	M-26x1,5	38	15
0450560550	1"	25	M-30x1,5	43	20

**RACOR ESFÉRICO
SERIE MÉTRICO**

**METRIC
BANJO**

CONEXIONES PRENSADAS SWAGED FITTINGS



252

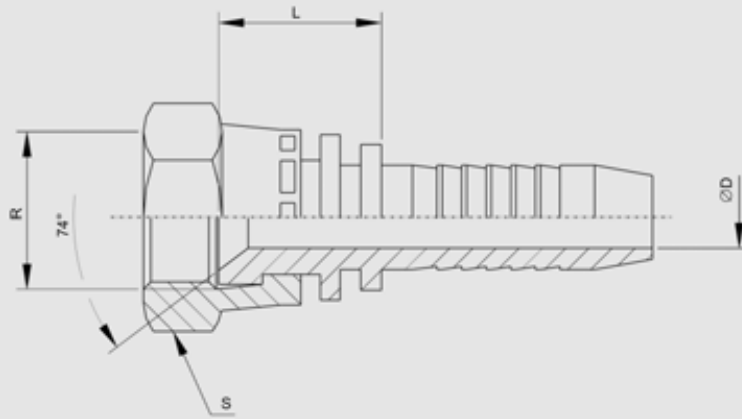
MP-069

**MACHO JIC CONO
74°**

**JIC MALE 74°
CONE**

COD.	ØINT.TUB.	DN	R	L	ØD	S
0450690010	3/16"	4	7/16"-20	26	3	12
0450690030	1/4"	6	7/16"-20	27	4	12
0450690050	1/4"	6	1/2"-20	27	4	14
0450690070	1/4"	6	9/16"-18	27	4	15
0450690120	5/16"	8	9/16"-18	27	5,5	15
0450690170	3/8"	10	5/8"-18	29	7	17
0450690190	3/8"	10	9/16"-18	27	7	15
0450690220	3/8"	10	3/4"-16	30	7	19
0450690250	3/8"	10	7/8"-14	34	7	24
0450690280	1/2"	13	3/4"-16	31	9,5	19
0450690310	1/2"	13	7/8"-14	35	9,5	24
0450690350	1/2"	13	1"1/16-12	37	9,5	27
0450690370	5/8"	16	7/8"-14	35	12	24
0450690400	5/8"	16	1"1/16-12	37	12	27
0450690440	3/4"	20	7/8"-14	36	15	24
0450690470	3/4"	20	1"1/16-12	38	15	27
0450690480	3/4"	20	1"3/16-12	41	15	32
0450690500	3/4"	20	1"5/16-12	42	15	34
0450690520	1"	25	1"1/16-12	39	20	27
0450690540	1"	25	1"5/16-12	43	20	34
0450690570	1"	25	1"5/8-12	46	20	42
0450690610	1"1/4	32	1"5/8-12	47	26	42
0450690660	1"1/4	32	1"7/8-12	52	26	50
0450690700	1"1/2	40	1"7/8-12	52	32	50
0450690750	2"	50	2"1/2-12	62	44	65

CONEXIONES PRENSADAS SWAGED FITTINGS



HP-071

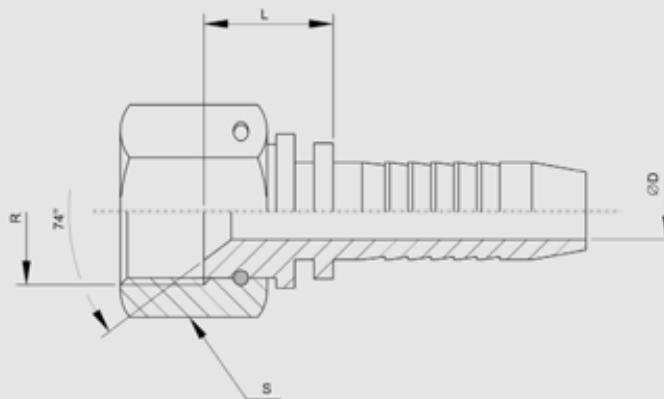
253

COD.	ØINT.TUB.	DN	R	L	ØD	S
0450710010	3/16"	4	7/16"-20	13	3	15
0450710030	1/4"	6	7/16"-20	13	4	15
0450710050	1/4"	6	1/2"-20	15	4	17
0450710070	1/4"	6	9/16"-18	16	4	19
0450710100	5/16"	8	1/2"-20	15	5,5	17
0450710120	5/16"	8	9/16"-18	16	5,5	19
0450710170	3/8"	10	5/8"-18	17,3	7	22
0450710190	3/8"	10	9/16"-18	16	7	19
0450710220	3/8"	10	3/4"-16	16	7	24
0450710250	3/8"	10	7/8"-14	19	7	27
0450710280	1/2"	13	3/4"-16	17	9,5	24
0450710310	1/2"	13	7/8"-14	19	9,5	27
0450710350	1/2"	13	1"1/16-12	19	9,5	32
0450710370	5/8"	16	7/8"-14	19	12	27
0450710400	5/8"	16	1"1/16-12	19	12	32
0450710440	3/4"	20	7/8"-14	20,5	15	27
0450710470	3/4"	20	1"1/16-12	20	15	32
0450710480	3/4"	20	1"3/16-12	21	15	36
0450710500	3/4"	20	1"5/16-12	21	15	38
0450710520	1"	25	1"1/16-12	21,9	20	32
0450710540	1"	25	1"5/16-12	22	20	38

HEMBRA GIRATO-
RIA RECTA JIC
CONO 74°

JIC FEMALE 74°
CONE

CONEXIONES PRENSADAS SWAGED FITTINGS



254

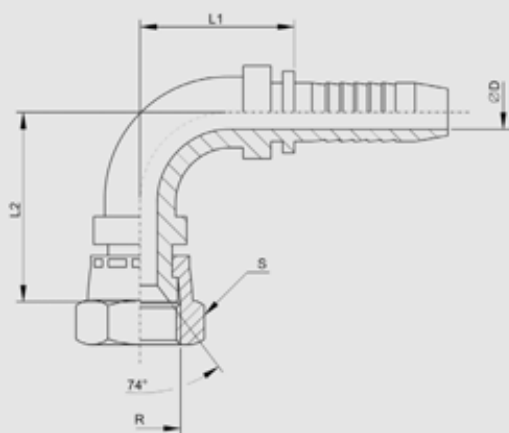
HP-072

HEMBRA GIRATO-
RIA RECTA JIC
CONO 74°

JIC FEMALE 74°
CONE

COD.	ØINT.TUB.	DN	R	L	ØD	S
0450720570	1"	25	1"5/8-12	27	20	50
0450720610	1"1/4	32	1"5/8-12	28	26	50
0450720660	1"1/4	32	1"7/8-12	31	26	55
0450720700	1"1/2	40	1"7/8-12	31	32	55
0450720750	2"	50	2"1/2-12	31	44	70

CONEXIONES PRENSADAS SWAGED FITTINGS



HP-074

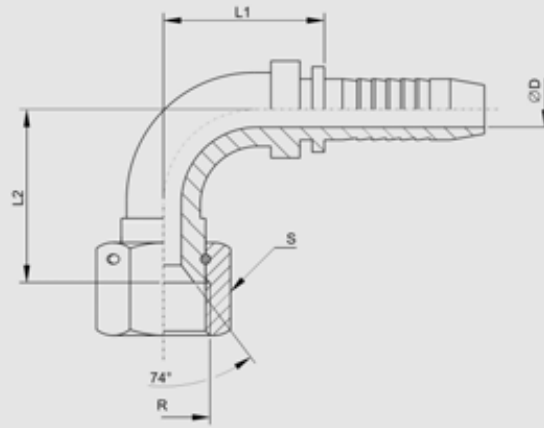
255

COD.	ØINT.TUB.	DN	R	L1	L2	ØD	S
0450740010	3/16"	4	7/16"-20	22	22	3	15
0450740030	1/4"	6	7/16"-20	25	24	4	15
0450740050	1/4"	6	1/2"-20	25	25	4	17
0450740070	1/4"	6	9/16"-18	27	26	4	19
0450740120	5/16"	8	9/16"-18	30	31	5,5	19
0450740170	3/8"	10	5/8"-18	32	32	7	22
0450740190	3/8"	10	9/16"-18	33	32	7	19
0450740220	3/8"	10	3/4"-16	33	33	7	24
0450740250	3/8"	10	7/8"-14	32	35	7	27
0450740280	1/2"	13	3/4"-16	39	38	9,5	24
0450740310	1/2"	13	7/8"-14	42	42	9,5	27
0450740350	1/2"	13	1"1/16-12	39	42	9,5	32
0450740370	5/8"	16	7/8"-14	45	45	12	27
0450740400	5/8"	16	1"1/16-12	45	45	12	32
0450740440	3/4"	20	7/8"-14	42	49	13	27
0450740470	3/4"	20	1"1/16-12	56	52	15	32
0450740480	3/4"	20	1"3/16-12	56	53	15	36
0450740500	3/4"	20	1"5/16-12	57	56	15	38
0450740520	1"	25	1"1/16-12	47	54	15	32
0450740540	1"	25	1"5/16-12	70	65	20	38

**HEMBRA GIRATO-
RIA A 90° JIC CONO
74°**

**JIC 90° SWEPT
ELBOW 74° CONE**

CONEXIONES PRENSADAS SWAGED FITTINGS



256

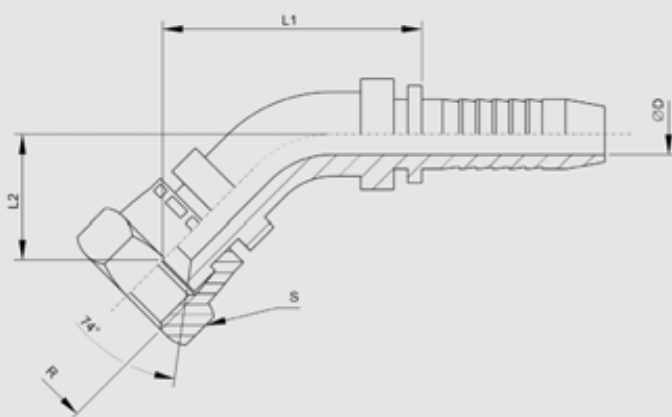
HP-075

**HEMBRA GIRATO-
RIA A 90° JIC CONO
74°**

*JIC 90° SWEEP
ELBOW 74° CONE*

COD.	ØINT.TUB.	DN	R	L1	L2	ØD	S
0450750570	1"	25	1"5/8-12	75	73	20	50
0450750610	1"1/4	32	1"5/8-12	85	88	26	50
0450750660	1"1/4	32	1"7/8-12	85	101	26	50
0450750700	1"1/2	40	1"7/8-12	99	101	32	55
0450750750	2"	50	2"1/2-12	125	132	44	70

CONEXIONES PRENSADAS SWAGED FITTINGS



HP-078

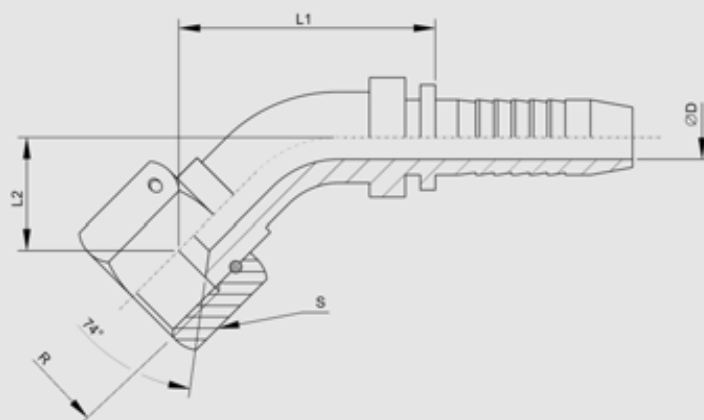
257

COD.	ØINT.TUB.	DN	R	L1	L2	ØD	S
0450780010	3/16"	4	7/16"-20	32	14	3	15
0450780030	1/4"	6	7/16"-20	34	13	4	15
0450780050	1/4"	6	1/2"-20	32	14	4	17
0450780070	1/4"	6	9/16"-18	36	15	4	19
0450780120	5/16"	8	9/16"-18	37	20	5,5	19
0450780170	3/8"	10	5/8"-18	42	17	7	22
0450780190	3/8"	10	9/16"-18	39	16	7	19
0450780220	3/8"	10	3/4"-16	41	19	7	24
0450780250	3/8"	10	7/8"-14	54	20	7	27
0450780280	1/2"	13	3/4"-16	46	21	9,5	24
0450780310	1/2"	13	7/8"-14	52	23	9,5	27
0450780350	1/2"	13	1"1/16-12	53	24	9,5	32
0450780370	5/8"	16	7/8"-14	58	23	12	27
0450780400	5/8"	16	1"1/16-12	68	23	12	32
0450780440	3/4"	20	7/8"-14	55	26	13	27
0450780470	3/4"	20	1"1/16-12	69	27	15	32
0450780480	3/4"	20	1"3/16-12	65	30	15	36
0450780500	3/4"	20	1"5/16-12	72	30	15	38
0450780520	1"	25	1"1/16-12	59	28	15	32
0450780540	1"	25	1"5/16-12	83	34	20	38

**HEMBRA GIRATO-
RIA A 45° JIC CONO
74°**

**JIC 45° SWEPT
ELBOW 74° CONE**

CONEXIONES PRENSADAS SWAGED FITTINGS



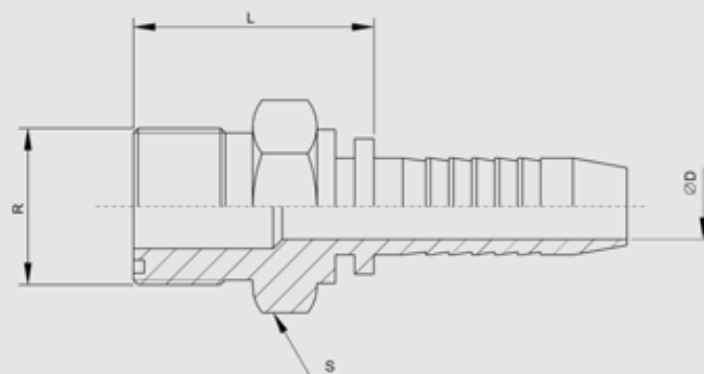
258

HP-079

**HEMBRA GIRATO-
RIA A 45° JIC CONO
74°**

*JIC 45° SWEPT
ELBOW 74° CONE*

COD.	ØINT.TUB.	DN	R	L1	L2	ØD	S
0450790570	1"	25	1"5/8-12	91	35	20	50
0450790610	1"1/4	32	1"5/8-12	105	52	26	50
0450790660	1"1/4	32	1"7/8-12	106	55	26	55
0450790700	1"1/2	40	1"7/8-12	138	58	32	55
0450790750	2"	50	2"1/2-12	167	77	44	70



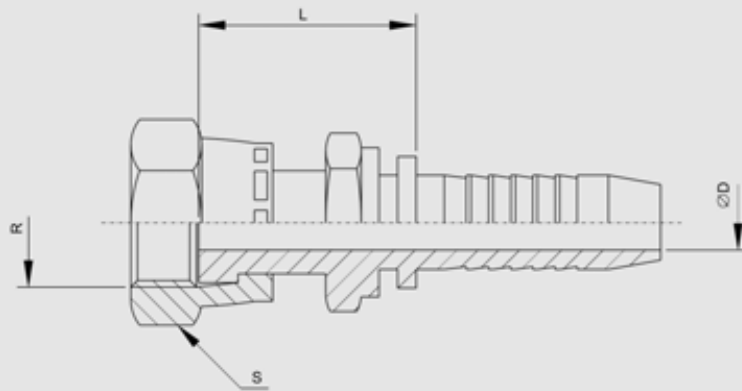
HP-082

**ORFS TERMINAL
RECTO MACHO
ASIENTO PLANO**

ORFS MALE

COD.	ØINT.TUB.	DN	R	L	ØD	S
0450820750	1/4"	6	9/16"-18	23,2	4	15
0450820770	5/16"	8	11/16"-16	26,2	5,5	19
0450820790	3/8"	10	11/16"-16	26,2	7	19
0450820810	3/8"	10	13/16"-16	29,3	7	22
0450820830	1/2"	13	13/16"-16	29,3	9,5	22
0450820850	5/8"	16	1"-14	33,4	12	27
0450820870	3/4"	20	1"3/16-12	35,9	15	32
0450820890	1"	25	1"7/16-12	37,4	20	38

CONEXIONES PRENSADAS SWAGED FITTINGS



HP-082

259

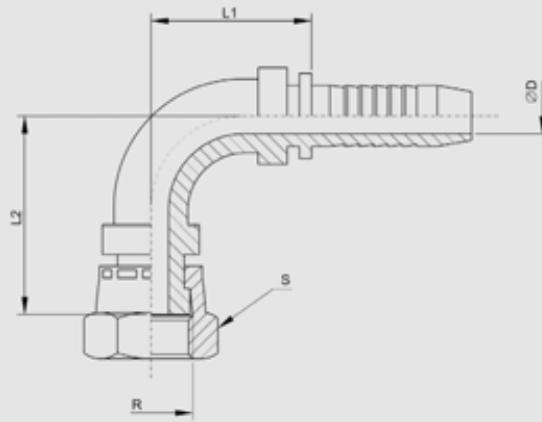


COD.	ØINT.TUB.	DN	R	L	ØD	S
0450820000	1/4"	6	9/16"-18	24	4	19
0450820010	1/4"	6	11/16"-16	24	4	22
0450820170	5/16"	8	11/16"-16	24	5,5	22
0450820020	3/8"	10	11/16"-16	24	7	22
0450820030	3/8"	10	13/16"-16	30	7	24
0450820040	1/2"	13	13/16"-16	30	9,5	24
0450820050	1/2"	13	1"-14	33	9,5	30
0450820190	1/2"	13	1"3/16-12	33	9,5	36
0450820060	5/8"	16	1"-14	33	12	30
0450820070	3/4"	20	1"-14	33	15	30
0450820080	3/4"	20	1"3/16-12	34	15	36
0450820090	3/4"	20	1"7/16-12	36	15	41
0450820100	1"	25	1"7/16-12	37	20	41
0450820120	1"1/4	32	1"11/16-12	40	26	50
0450820140	1"1/2	40	2"-12	41	32	60

**ORFS TERMINAL
HEMBRA GIRATO-
RIA RECTA CON
ASIENTO PLANO**

ORFS FEMALE

CONEXIONES PRENSADAS SWAGED FITTINGS



260

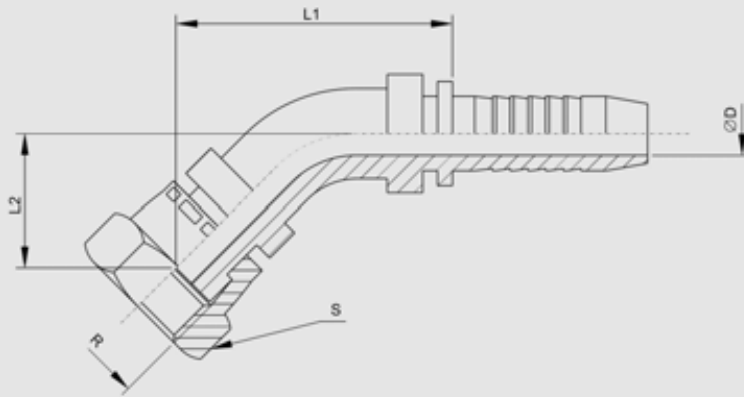
HP-082

**ORFS TERMINAL A
90° ASIENTO PLANO**

**ORFS 90° SWEPT
ELBOW**

COD.	ØINT.TUB.	DN	ROSCA T	L1	L2	ØD	S
0450820260	1/4"	6	9/16"-18	26	24	4	19
0450820270	1/4"	6	11/16"-16	26	26	4	22
0450820280	3/8"	10	11/16"-16	35	28	7	22
0450820290	3/8"	10	13/16"-16	34	31	7	24
0450820300	1/2"	13	13/16"-16	40	37	9,5	24
0450820310	1/2"	13	1"13/16-12	42	37	9,5	36
0450820320	5/8"	16	1"-14	45	42	12	30
0450820340	3/4"	20	1"3/16-12	57	47	15	36
0450820360	1"	25	1"7/16-12	72	58	20	41
0450820380	1"1/4	32	1"11/16-12	83	74	26	50
0450820400	1"1/2	40	2"-12	100	85	32	70

CONEXIONES PRENSADAS SWAGED FITTINGS



HP-082

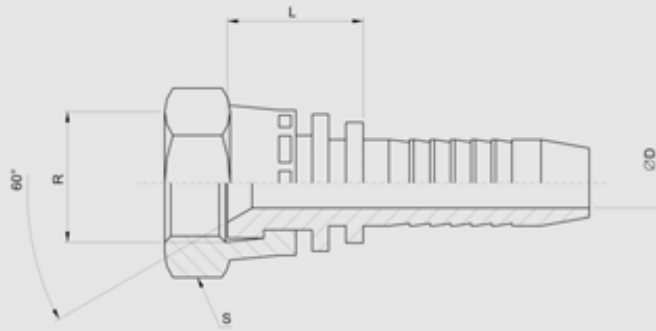
261

COD.	ØINT.TUB.	DN	R	L1	L2	ØD	S
0450820500	1/4"	6	9/16"-18	34	14	4	19
0450820510	1/4"	6	11/16"-16	36	14	4	22
0450820520	3/8"	10	11/16"-16	44	19	7	22
0450820530	3/8"	10	13/16"-16	42	17	7	24
0450820540	1/2"	13	13/16"-16	47	21	9,5	24
0450820550	1/2"	13	1"-14	43	23	9,5	30
0450820560	5/8"	16	1"-14	57	21	12	30
0450820580	3/4"	20	1"3/16-12	65	26	15	36
0450820600	1"	25	1"7/16-12	77	27	20	41
0450820620	1"1/4	32	1"11/16-12	96	42	26	50
0450820640	1"1/2	40	2"-12	107	44	32	70

**ORFS TERMINAL A
45° ASIENTO PLANO**

**ORFS 45° SWEPT
ELBOW**

CONEXIONES PRENSADAS SWAGED FITTINGS



262

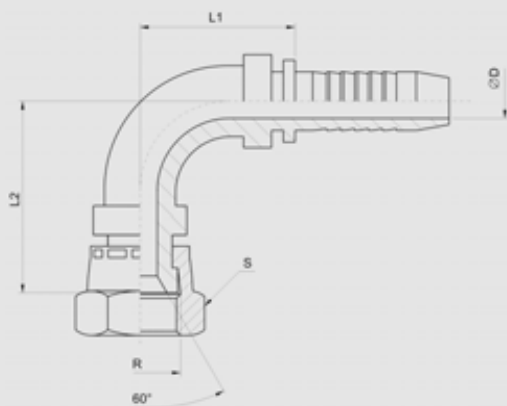
HP-083

**TERMINAL TOYOTA
RECTO, ROSCA
GAS, ASIENTO A 60°**

*TOYOTA BSP
STRAIGHT FEMALE
60°*

COD.	ØINT.TUB.	DN	R	L	S
0450830000	1/4"	6	1/4"-19	14,5	19
0450830020	3/8"	10	3/8"-19	17,3	22
0450830040	1/2"	13	1/2"-14	18,3	27
0450830080	3/4"	20	3/4"-14	19	32
0450830100	1"	25	1"-11	26,3	41
0450830120	1"1/4	32	1"1/4-11	25,8	50
0450830140	1"1/2	40	1"1/2-11	27,3	55

CONEXIONES PRENSADAS SWAGED FITTINGS



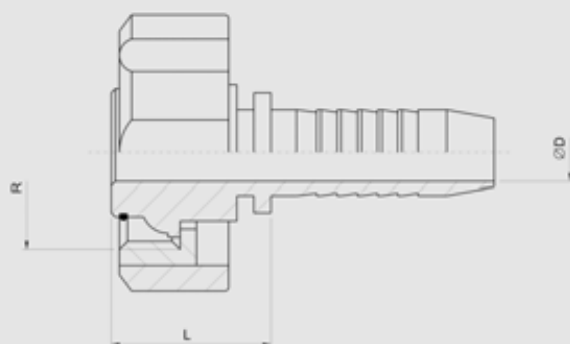
HP-083

263

COD.	ØINT.TUB.	DN	R	L1	L2	S
0450830260	1/4"	6	1/4"-19	27,5	31	19
0450830280	3/8"	10	3/8"-19	33,8	39	22
0450830300	1/2"	13	1/2"-14	38,3	43	27
0450830340	3/4"	20	3/4"-14	47,5	52,5	32
0450830360	1"	25	1"-11	59,3	68,5	41
0450830380	1"1/4	32	1"1/4-11	65,8	74	50
0450830400	1"1/2	40	1"1/2-11	82,3	91,5	55

**TERMINAL TOYOTA
A 90°, ROSCA GAS,
ASIENTO A 60°**

*TOYOTA BSP 90°
FEMALE 60°*



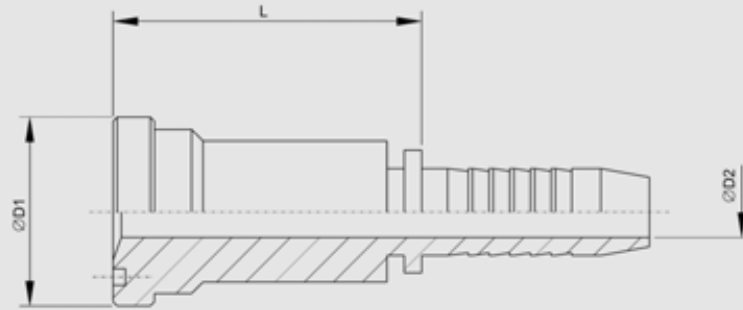
HP-094

COD.	ØINT.TUB.	DN	R	L	ØD
0450940010	1/4"	6	M22x1,5	30,7	4
0450940020	5/16"	8	M22x1,5	30,7	5,5
0450940030	3/8"	10	M22x1,5	30,7	7

**TERMINAL
KARCHER**

*WASH CLEANER
FEMALE*

CONEXIONES PRENSADAS SWAGED FITTINGS



264

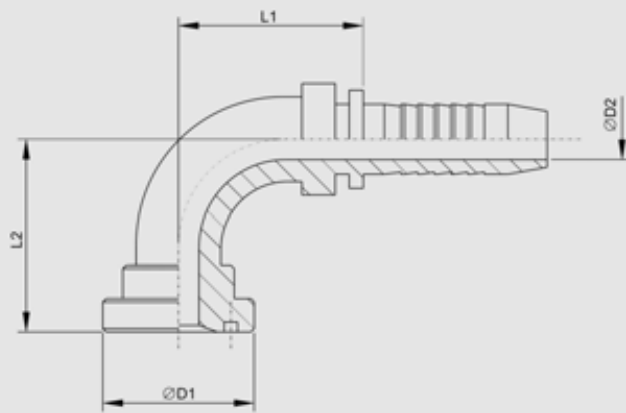
BP-086

**BRIDA SAE J518
RECTA 3000 PSI
(PIEZA ÚNICA)**

*STRAIGHT SAE J518
FLANGE 3000*

COD.	ØIN.TUB.	DN	BRIDA	ØD1	L	ØD2
0450860000	1/2"	13	1/2"	30,2	45	9,5
0450860020	1/2"	13	3/4"	38,1	50	9,5
0450860040	3/4"	20	3/4"	38,1	50	15
0450860060	3/4"	20	1"	44,5	53	15
0450860080	1"	25	1"	44,5	54	20
0450860100	1"	25	1"1/4	50,8	57	20
0450860120	1"1/4	32	1"1/4	50,8	59	26
0450860140	1"1/4	32	1"1/2	60,4	62	26
0450860160	1"1/2	40	1"1/2	60,4	62	32
0450860180	1"1/2	40	2"	71,4	67	32
0450860200	2"	50	2"	71,4	68	44

CONEXIONES PRENSADAS SWAGED FITTINGS



BP-087

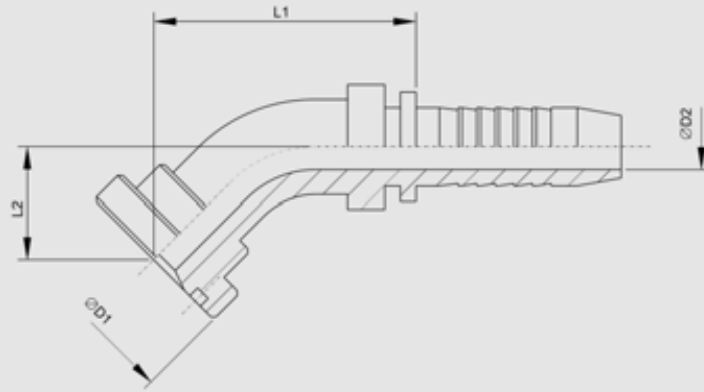
265

COD.	ØIN.TUB.	DN	BRIDA	ØD1	L1	L2	ØD2
0450870000	1/2"	13	1/2"	30,2	39	39	9,5
0450870020	1/2"	13	3/4"	38,1	41	44	9,5
0450870040	3/4"	20	3/4"	38,1	52	55	15
0450870060	3/4"	20	1"	44,5	56	58	15
0450870080	1"	25	1"	44,5	69	63	20
0450870100	1"	25	1"1/4	50,8	69	71	20
0450870120	1"1/4	32	1"1/4	50,8	87	75	26
0450870140	1"1/4	32	1"1/2	60,4	85	85	26
0450870160	1"1/2	40	1"1/2	60,4	99	95	32
0450870180	1"1/2	40	2"	71,4	105	99	32
0450870200	2"	50	2"	71,4	125	115	44

BRIDA SAE J518 A
90° 3000 PSI (PIEZA
ÚNICA)

90° SAE J518
FLANGE 3000

CONEXIONES PRENSADAS SWAGED FITTINGS



266

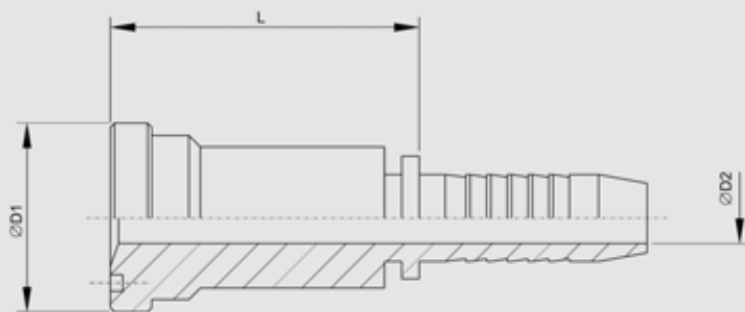
BP-088

**BRIDA SAE J518 A
45° 3000 PSI (PIEZA
ÚNICA)**

**45° SAE J518 FLAN-
GE 3000**

COD.	ØIN.TUB.	DN	BRIDA	ØD1	L1	L2	ØD2
0450880000	1/2"	13	1/2"	30,2	51	22	9,5
0450880020	1/2"	13	3/4"	38,1	54	25	9,5
0450880040	3/4"	20	3/4"	38,1	70	30	15
0450880060	3/4"	20	1"	44,5	73	31	15
0450880080	1"	25	1"	44,5	82	35	20
0450880100	1"	25	1"1/4	50,8	87	37	20
0450880120	1"1/4	32	1"1/4	50,8	100	47	26
0450880140	1"1/4	32	1"1/2	60,4	102	49	26
0450880160	1"1/2	40	1"1/2	60,4	111	50	32
0450880180	1"1/2	40	2"	71,4	113	52	32
0450880200	2"	50	2"	71,4	129	56	44

CONEXIONES PRENSADAS SWAGED FITTINGS



BP-086

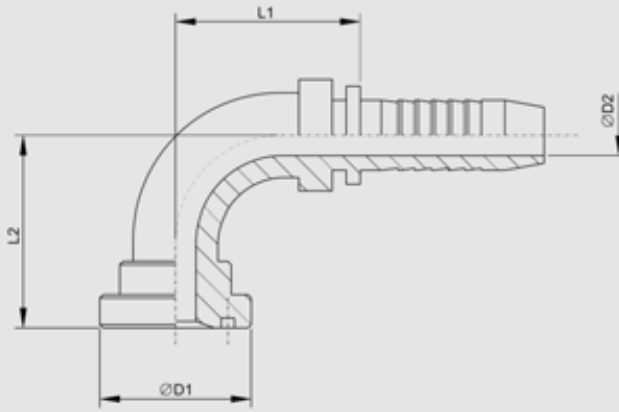
267

COD.	ØIN.TUB.	DN	BRIDA	ØD1	L	ØD2
0450860500	1/2"	13	1/2"	31,7	46	9,5
0450860520	1/2"	13	3/4"	41,3	53	9,5
0450860540	3/4"	20	3/4"	41,3	54	15
0450860560	3/4"	20	1"	47,6	60	15
0450860580	1"	25	1"	47,6	61	20
0450860600	1"	25	1"1/4	54,0	68	20
0450860620	1"1/4	32	1"1/4	54,0	70	26
0450860640	1"1/4	32	1"1/2	63,5	76	26
0450860660	1"1/2	40	1"1/2	63,5	76	32
0450860680	1"1/2	40	2"	79,4	85	32
0450860700	2"	50	2"	79,4	85	44

**BRIDA SAE J518
RECTA 6000 PSI
(PIEZA ÚNICA)**

**STRAIGHT SAE J518
FLANGE 6000**

CONEXIONES PRENSADAS SWAGED FITTINGS



268

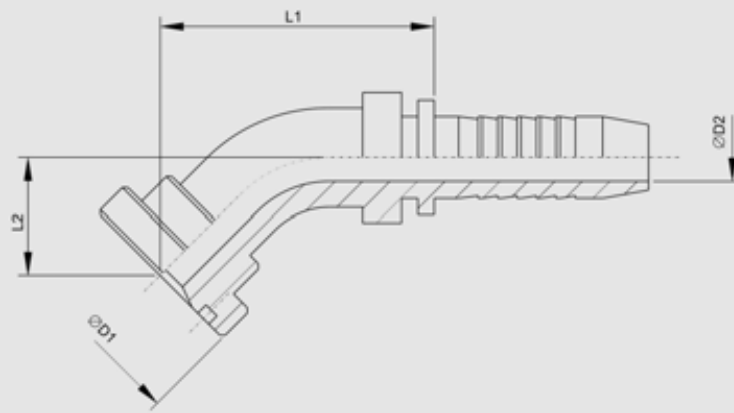
BP-087

**BRIDA SAE J518 A
90° 6000 PSI (PIEZA
ÚNICA)**

*90° SAE J518 FLAN-
GE 6000*

COD.	ØIN.TUB.	DN	BRIDA	ØD1	L1	L2	ØD2
0450870500	1/2"	13	1/2"	31,7	39	39	9,5
0450870520	1/2"	13	3/4"	41,3	39	43	9,5
0450870540	3/4"	20	3/4"	41,3	56	57	15
0450870560	3/4"	20	1"	47,6	56	64	15
0450870580	1"	25	1"	47,6	70	70	20
0450870600	1"	25	1"1/4	54,0	70	77	20
0450870620	1"1/4	32	1"1/4	54,0	83	81	26
0450870640	1"1/4	32	1"1/2	63,5	85	96	26
0450870660	1"1/2	40	1"1/2	63,5	102	107	32
0450870680	1"1/2	40	2"	79,4	99	116	32
0450870700	2"	50	2"	79,4	125	136	44

CONEXIONES PRENSADAS SWAGED FITTINGS



BP-088

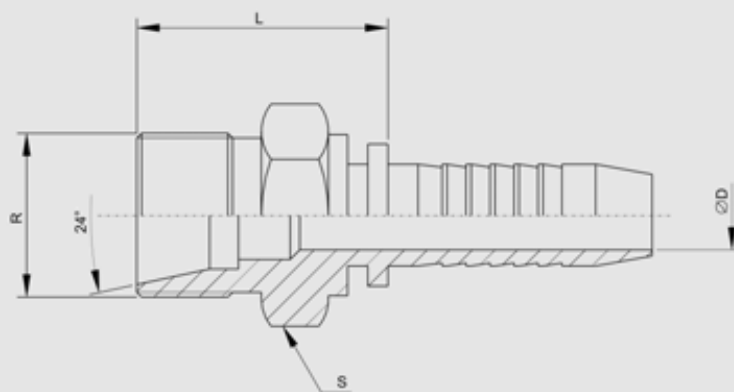
269

COD.	ØIN.TUB.	DN	BRIDA	ØD1	L1	L2	ØD2
0450880500	1/2"	13	1/2"	31,7	51	22	9,5
0450880520	1/2"	13	3/4"	41,3	57	28	9,5
0450880540	3/4"	20	3/4"	41,3	72	30	15
0450880560	3/4"	20	1"	47,6	76	34	15
0450880580	1"	25	1"	47,6	85	36	20
0450880600	1"	25	1"1/4	54,0	90	41	20
0450880620	1"1/4	32	1"1/4	54,0	104	51	26
0450880640	1"1/4	32	1"1/2	63,5	109	56	26
0450880660	1"1/2	40	1"1/2	63,5	118	57	32
0450880680	1"1/2	40	2"	79,4	127	66	32
0450880700	2"	50	2"	79,4	145	71	44

**BRIDA SAE J518 A
45° 6000 PSI (PIEZA
ÚNICA)**

**45° SAE J518 FLAN-
GE 6000**

CONEXIONES PRENSADAS SWAGED FITTINGS



270

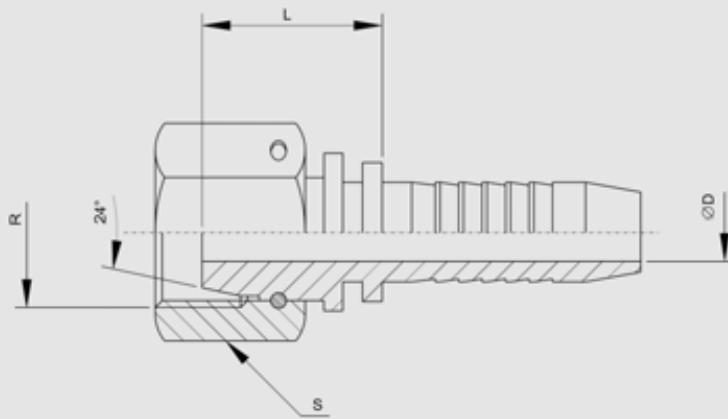
MP-055

**MACHO CONO
24° SERIE
FRANCESA**

*FRENCH METRIC
MALE 24° CONE
SEAT GAZ TYPE*

COD.	ØIN.TUB.	DN	R	Ø TUBO	L	ØD	S
0450550050	5/16"	8	M-20X1,5	13,25	27	8	22
0450550070	3/8"	10	M-20X1,5	13,25	27,6	8	22
0450550090	1/2"	12	M-24X1,5	16,75	28,4	12	24
0450550110	5/8"	16	M-30X1,5	21,25	31,7	15	30
0450550130	3/4"	20	M-30X1,5	21,25	33	18	30
0450550140	3/4"	20	M-36X1,5	26,75	34	21	36
0450550160	1"	25	M-45X1,5	33,50	39,3	26	46

CONEXIONES PRENSADAS SWAGED FITTINGS



HP-055

271

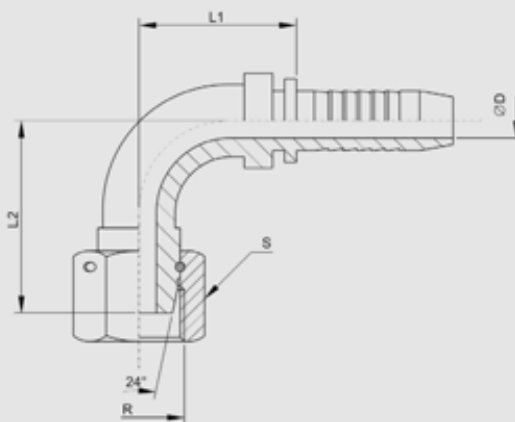


COD.	ØIN.TUB.	DN	ROSCA T	Ø TUBO	L	ØD	S
0450550210	5/16"	8	M-20X1,5	13,25	22,1	7	24
0450550230	3/8"	10	M-20X1,5	13,25	22,6	7	24
0450550250	1/2"	12	M-24X1,5	16,75	26,5	9,3	30
0450550270	5/8"	16	M-30X1,5	21,25	23,7	12,5	36
0450550290	3/4"	20	M-30X1,5	21,25	25	15	36
0450550300	3/4"	20	M-36X1,5	26,75	27	15	41
0450550320	1"	25	M-45X1,5	33,50	26,8	19,8	50

**HEMBRA GIRATO-
RIA CONO 24°
SERIE FRANCESA**

**FRENCH METRIC
FEMALE 24° CONE
SEAT GAZ TYPE**

CONEXIONES PRENSADAS SWAGED FITTINGS



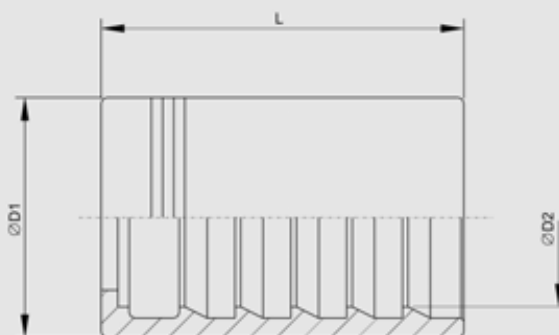
272

HP-055

**HEMBRA GIRATO-
RIA A 90° CONO 24°
SERIE FRANCESA**

*90° FRENCH METRIC
FEMALE 24° CONE
SEAT GAZ TYPE*

COD.	ØIN.TUB.	DN	ROSCA T	Ø TUBO	L1	L2	ØD	S
0450550850	5/16"	8	M-20X1,5	13,25	32	29,5	7	24
0450550870	3/8"	10	M-20X1,5	13,25	36,5	33,5	7	24
0450550890	1/2"	12	M-24X1,5	16,75	45	41	12	30
0450550910	5/8"	16	M-30X1,5	21,25	51,5	53,5	12,5	36
0450550930	3/4"	20	M-30X1,5	21,25	47	58	15	36
0450550940	3/4"	20	M-36X1,5	26,75	61,5	60	15	41
0450550960	1"	25	M-45X1,5	33,50	65	70	26	55



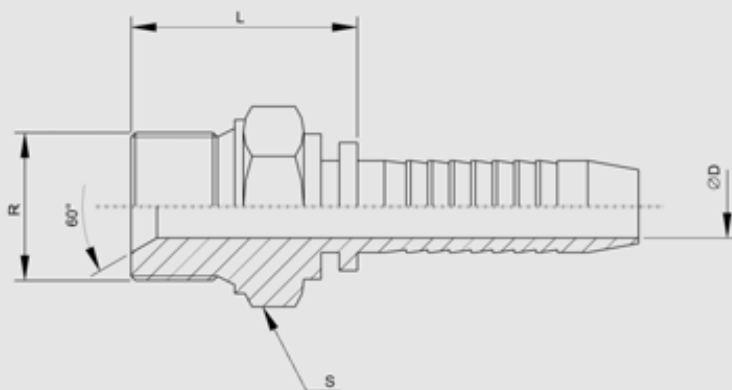
CP-9M

**CASQUILLO PRENSA-
DO PARA TUBERÍA
R9R-4SP-R12-4SH (*)**

*SWAGED FERRULE
FOR R9R-4SP-R12-
4SH (*)*

COD.	ØINT.TUB.	DN	ØD1	L	ØD2	SKIVE LENGHT LONG. PELADO
0450000690	1/4"	6	21	40	15,3	30
0450000720	3/8"	10	26	43	18,7	31
0450000740	1/2"	13	30	45	22,2	34
0450000760	5/8"	16	33,4	50	25,5	38
0450000780	3/4 " (*)	20	38	55	29,4	39
0450000850	1" (*)	25	46	75	36	56

CONEXIONES PRENSADAS SWAGED FITTINGS



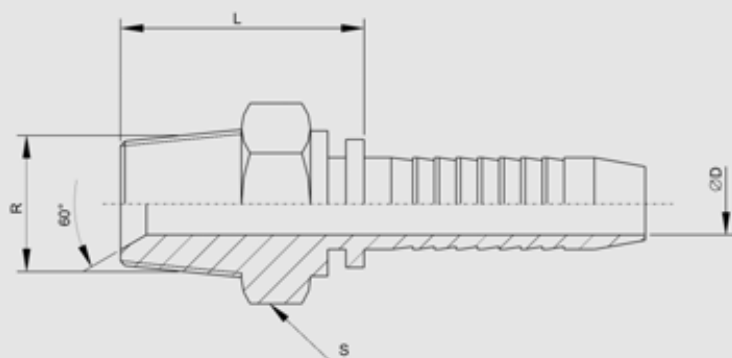
MP-003

273

COD.	ØINT.TUB.	DN	R	L	ØD	S
0450030060	1/4"	6	1/4"-19	28	4	19
0450030180	3/8"	10	3/8"-19	30	7	22
0450030300	1/2"	13	1/2"-14	33	9,5	27
0450030380	5/8"	16	5/8"-14	35	12	30
0450030460	3/4"	20	3/4"-14	37	15	32
0450030540	1"	25	1"-11	42	20	38
0450030620	1"1/4	32	1"1/4-11	47	26	50
0450030700	1"1/2	40	1"1/2-11	42	32	55
0450030740	2"	50	2"-11	44	40	65

**MACHO CILÍNDRICO
CONO 60°
(MULTIESPIRAL)**

*BSP MALE PARA-
LLEL 60° CONE
(MULTIESPIRAL)*



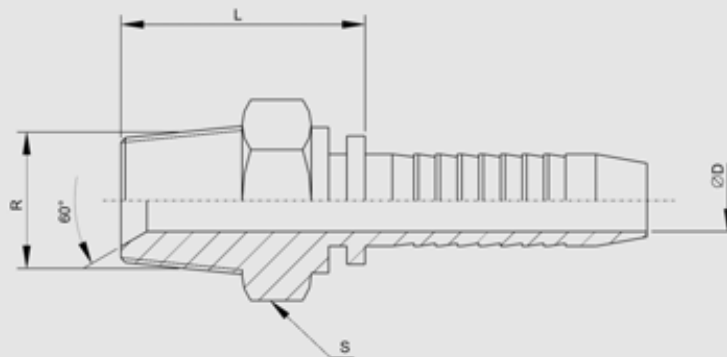
MP-098

COD.	ØINT.TUB.	DN	R	L	ØD	S
0450980060	1/4"	6	1/4"-19	28,8	4	17
0450980180	3/8"	10	3/8"-19	29,3	7	19
0450980300	1/2"	13	1/2"-14	34,3	9,5	22
0450980460	3/4"	20	3/4"-14	38,7	15	30
0450980540	1"	25	1"-11	45,5	20	36

**MACHO CÓNICO
BSPT CONO
60°(MULTIESPIRAL)**

*BSPT MALE 60°
CONE
(MULTIESPIRAL)*

CONEXIONES PRENSADAS SWAGED FITTINGS



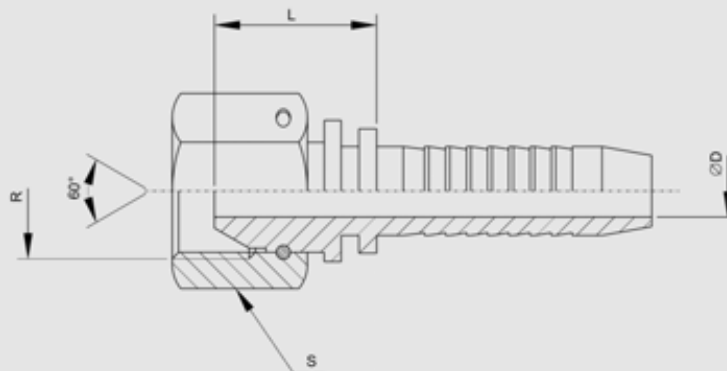
274

MP-099

**MACHO CÓNICO
NPT CONO 60°
(MULTIESPIRAL)**

*NPTF MALE 60°
CONE
(MULTISPIRAL)*

COD.	ØINT.TUB.	DN	R	L	ØD	S
0450990060	1/4"	6	1/4"-18	29	4	17
0450990080	1/4"	6	3/8"-18	29	4	19
0450990180	3/8"	10	3/8"-18	29	7	19
0450990300	1/2"	13	1/2"-14	35	9,5	22
0450990460	3/4"	20	3/4"-14	39	15	30
0450990540	1"	25	1"-11 1/2	46	20	36



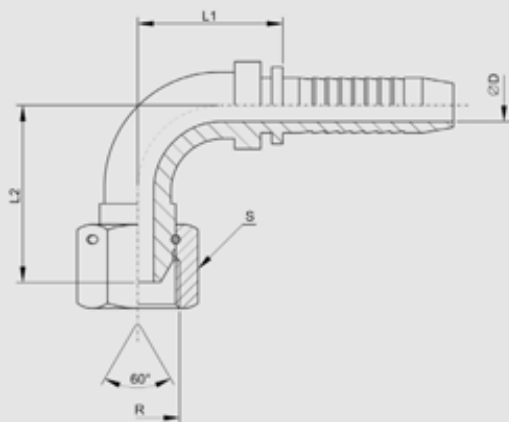
HP-006

**HEMBRA GIRATO-
RIA BSP CONO 60°
(MULTIESPIRAL)**

*BSP FEMALE 60°
CONE THRUST
WIRE NUT
(MULTISPIRAL)*

COD.	ØINT.TUB.	DN	R	L	ØD	S
0450060060	1/4"	6	1/4"-19	20	4	19
0450060180	3/8"	10	3/8"-19	21	7	22
0450060300	1/2"	13	1/2"-14	23	9,5	27
0450060380	5/8"	16	5/8"-14	23	12	30
0450060460	3/4"	20	3/4"-14	27	15	32
0450060540	1"	25	1"-11	30	20	38
0450060620	1"1/4	32	1"1/4-11	44	26	50
0450060700	1"1/2	40	1"1/2-11	40	32	60

CONEXIONES PRENSADAS SWAGED FITTINGS



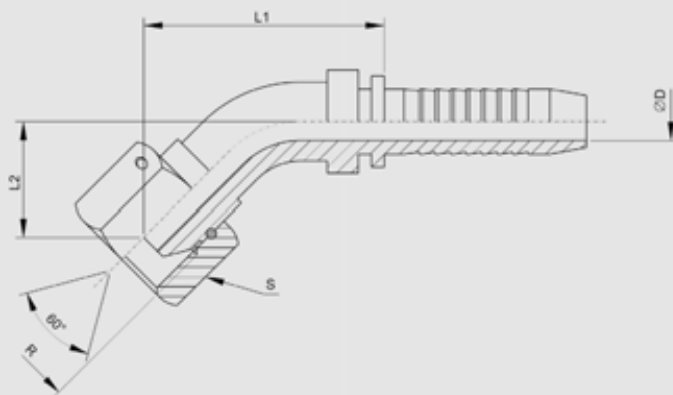
HP-009

275

COD.	ØINT.TUB.	DN	R	L1	L2	ØD	S
0450090060	1/4"	6	1/4"-19	27	28	4	19
0450090180	3/8"	10	3/8"-19	35	34	7	22
0450090300	1/2"	13	1/2"-14	43	41	9,5	27
0450090380	5/8"	16	5/8"-14	46	46	12	30
0450090460	3/4"	20	3/4"-14	58	56	15	32
0450090540	1"	25	1"-11	75	66	20	38
0450090620	1"1/4	32	1"1/4-11	65	70	26	50
0450090670	1"1/2	40	1"1/2-11	74	90	32	60

**HEMBRA GIRATO-
RIA BSP A 90° CONO
60° (MULTIESPIRAL)**

*BSP 90° SWEPT
ELBOW 60° CONE
THRUST WIRE NUT
(MULTISPIRAL)*



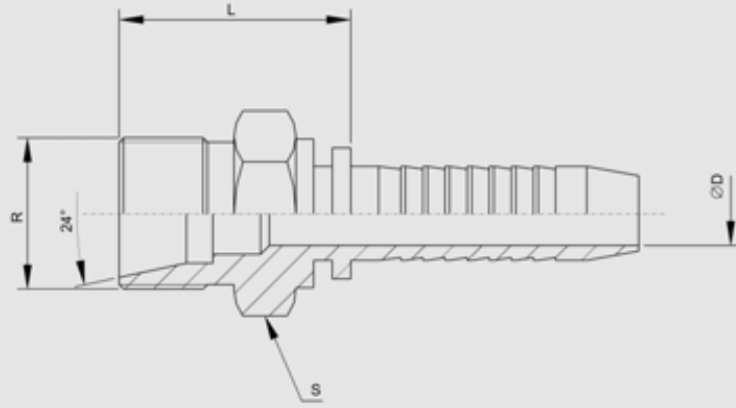
HP-012

COD.	ØINT.TUB.	DN	ROSCA T	L1	L2	ØD	S
0450120060	1/4"	6	1/4"-19	38	16	4	19
0450120180	3/8"	10	3/8"-19	44	18	7	22
0450120300	1/2"	13	1/2"-14	50	20	9,5	27
0450120380	5/8"	16	5/8"-14	60	24	12	30
0450120460	3/4"	20	3/4"-14	73	29	15	32
0450120540	1"	25	1"-11	89	38	20	38
0450120620	1"1/4	32	1"1/4-11	82	37	26	50

**HEMBRA GIRATO-
RIA BSP A 45° CONO
60° (MULTIESPIRAL)**

*BSP 45° SWEPT
ELBOW 60° CONE
THRUST WIRE NUT
(MULTISPIRAL)*

CONEXIONES PRENSADAS SWAGED FITTINGS



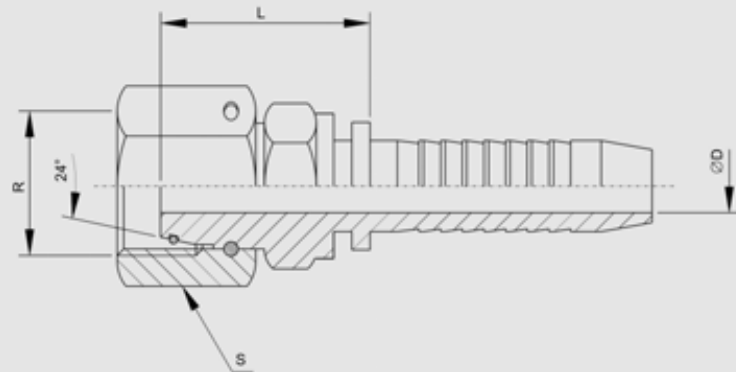
276

MP-030

**MACHO MÉTRICO
CONO 24° SERIE
PESADA
(MULTIESPIRAL)**

**METRIC MALE 24°
SEAT HEAVY
(MULTISPIRAL)**

COD.	Ø IN.TUB.	DN	R	Ø TUBO.	L	Ø D	S
0450300330	1/2"	13	M-24X1,5	16 S	32	9,5	24
0450300410	5/8"	16	M-30X2	20 S	34	12	30
0450300490	3/4"	20	M-30X2	20 S	36	15	30
0450300500	3/4"	20	M-36X2	25 S	40	15	36
0450300550	1"	25	M-36X2	25 S	38	20	36
0450300580	1"	25	M-42X2	30 S	44	20	46
0450300670	1"1/4	32	M-52X2	38 S	46	32	55
0450300710	1"1/2	40	M-52X2	38 S	41	32	55



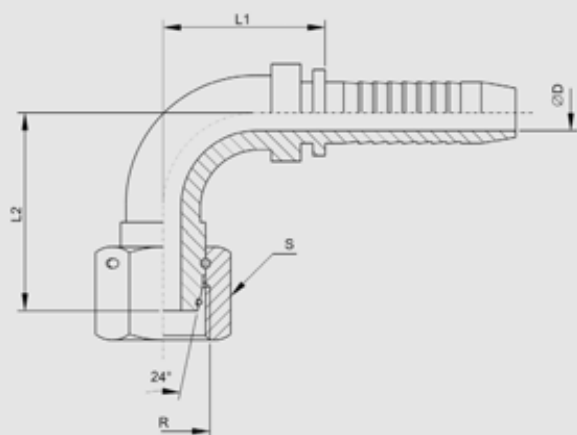
HP-046

**HEMBRA GIRATORIA
MÉTRICA RECTA
CON JUNTA CONO
24° (MULTIESPIRAL)**

**METRIC FEMALE 24°
SEAT HEAVY
(MULTISPIRAL)**

COD.	Ø IN.TUB.	DN	ROSCA T	Ø TUBO	L	Ø D	S
0450460230	3/8"	10	M-20x1,5	12 S	27	7	24
0450460250	3/8"	10	M-22X1,5	14 S	32	7	27
0450460330	1/2"	13	M-24X1,5	16 S	29	9,5	30
0450460420	5/8"	16	M-30X2	20 S	34	12	36
0450460480	3/4"	20	M30X2	20 S	39	12	36
0450460500	3/4"	20	M-36X2	25 S	41	15	41
0450460550	1"	25	M-36X2	25 S	41	15	46
0450460590	1"	25	M-42X2	30 S	45	20	50

CONEXIONES PRENSADAS SWAGED FITTINGS



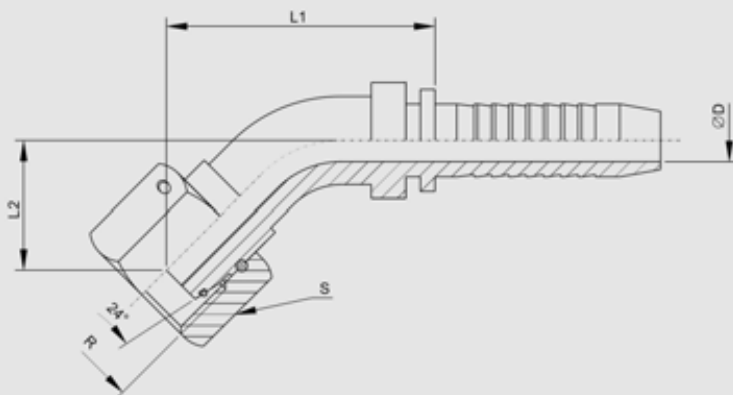
HP-050

277

COD.	ØIN.TUB.	DN	ROSCA T	Ø TUBO	L1	L2	ØD	S
0450500250	3/8"	10	M-22X1,5	14 S	33	42	7	27
0450500330	1/2"	13	M-24X1,5	16 S	42	38	9,5	30
0450500420	5/8"	16	M-30X2	20 S	45	50	12	36
0450500480	3/4"	20	M-30X2	20 S	59	55	15	36
0450500500	3/4"	20	M-36X2	25 S	58	58	15	46
0450500550	1"	25	M-36X2	25 S	70	64	20	41
0450500580	1"	25	M-42X2	30 S	74	66	20	50

HEMBRA GIRATORIA MÉTRICA A 90° CON JUNTA CONO 24° (MULTIESPIRAL)

90° METRIC SWEPT ELBOW 24° SEAT HEAVY (MULTISPIRAL)



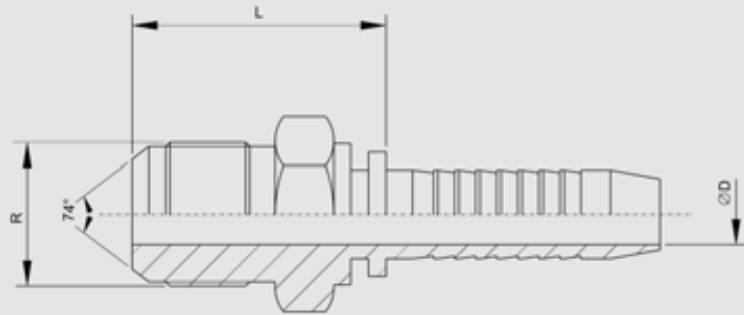
HP-054

COD.	ØIN.TUB.	DN	ROSCA T	Ø TUBO	L1	L2	ØD	S
0450540250	3/8"	10	M-22X1,5	14 S	46	22	7	27
0450540330	1/2"	13	M-24X1,5	16 S	49	23	9,5	30
0450540420	5/8"	16	M-30X2	20 S	64	28	12	36
0450540480	3/4"	20	M-30X2	20 S	57	30	14,5	36
0450540500	3/4"	20	M-36X2	25 S	75	31	15	46
0450540550	1"	25	M-36X2	25 S	80	32	20	41
0450540580	1"	25	M-42X2	30 S	84	33	20	50

HEMBRA GIRATORIA MÉTRICA A 45° CON JUNTA TÓRICA CONO 24° (MULTIESPIRAL)

45° METRIC SWEPT ELBOW 24° SEAT HEAVY (MULTISPIRAL)

CONEXIONES PRENSADAS SWAGED FITTINGS



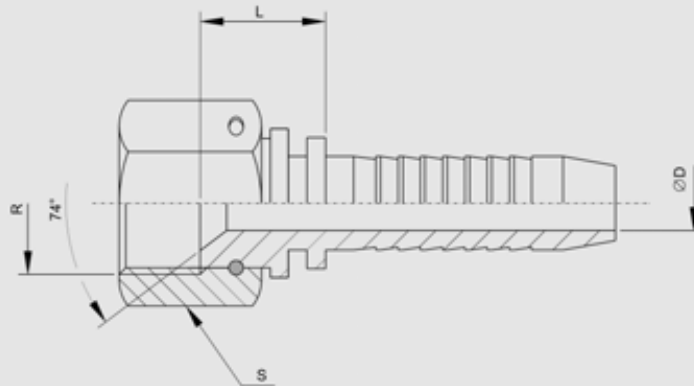
278

MP-070

**MACHO JIC 74°
(MULTIESPIRAL)**

**JIC MALE 74°
CONE
(MULTISPIRAL)**

COD.	ØIN.TUB.	DN	R	L	ØD	S
0450700030	1/4"	6	7/16"-20	27,8	4	12
0450700190	3/8"	10	9/16"-18	28,4	7	15
0450700280	1/2"	13	3/4"-16	31,5	9,5	19
0450700310	1/2"	13	7/8"-14	35,6	9,5	24
0450700370	5/8"	16	7/8"-14	35,6	12	24
0450700470	3/4"	20	1"1/16-12	39,9	15	27
0450700500	3/4"	20	1"5/16-12	43,1	15	34
0450700540	1"	25	1"5/16-12	44,6	20	34



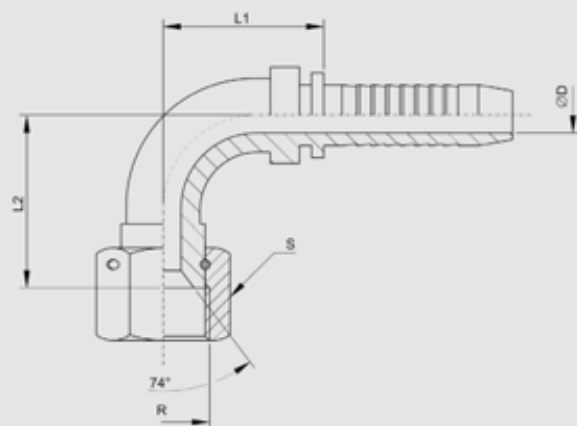
HP-073

**HEMERA GIRATORIA RECTA JIC,
CONO 74° (MULTIESPIRAL)**

**JIC FEMALE 74°
CONE THRUST
WIRE NUT
(MULTISPIRAL)**

COD.	ØIN.TUB.	DN	R	L	ØD	S
0450730030	1/4"	6	7/16"-20	16	4	14
0450730190	3/8"	10	9/16"-18	18	7	19
0450730280	1/2"	13	3/4"-16	20	9,5	24
0450730310	1/2"	13	7/8"-14	21	9,5	27
0450730370	5/8"	16	7/8"-14	21	12	27
0450730470	3/4"	20	1"1/16-12	23	15	32
0450730540	1"	25	1"5/16-12	27	20	41

CONEXIONES PRENSADAS SWAGED FITTINGS



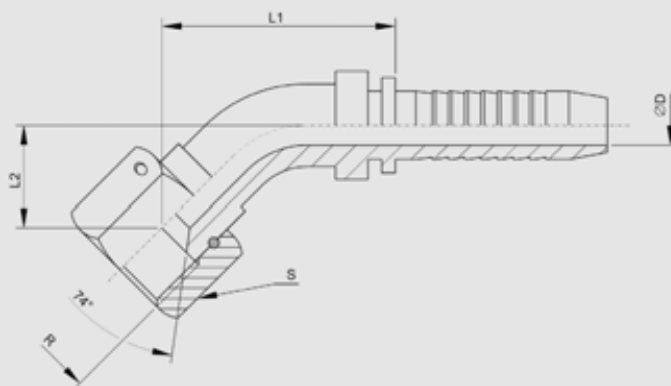
HP-076

279

COD.	ØINT.TUB.	DN	R	L1	L2	ØD	S
0450760030	1/4"	6	7/16"-20	26	26	4	14
0450760190	3/8"	10	9/16"-18	34	34	7	19
0450760280	1/2"	13	3/4"-16	40	39	9,5	24
0450760310	1/2"	13	7/8"-14	40	41	9,5	27
0450760370	5/8"	16	7/8"-14	46	45	12	27
0450760470	3/4"	20	1"1/16-12	56	55	15	32
0450760540	1"	25	1"5/16-12	72	68	20	41

**HEMBRA GIRATO-
RIA A 90° JIC, CONO
74° (MULTIESPIRAL)**

*JIC 90° SWEPT
ELBOW 74° CONE
THRUST WIRE NUT
(MULTISPIRAL)*



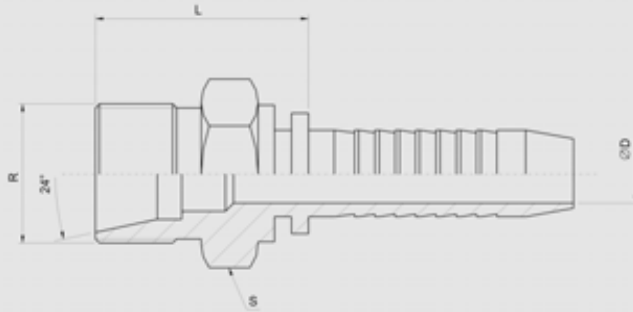
HP-080

COD.	ØINT.TUB.	DN	R	L1	L2	ØD	S
0450800030	1/4"	6	7/16"-20	37	14	4	14
0450800190	3/8"	10	9/16"-18	45	18	7	19
0450800280	1/2"	13	3/4"-16	53	22	9,5	24
0450800310	1/2"	13	7/8"-14	54	23	9,5	27
0450800370	5/8"	16	7/8"-14	60	23	12	27
0450800470	3/4"	20	1"1/16-12	71	28	15	32
0450800540	1"	25	1"5/16-12	86	36	20	41

**HEMBRA GIRATO-
RIA A 45° JIC, CONO
74° (MULTIESPIRAL)**

*JIC 45° SWEPT
ELBOW 74° CONE
THRUST WIRE NUT
(MULTISPIRAL)*

CONEXIONES PRENSADAS SWAGED FITTINGS



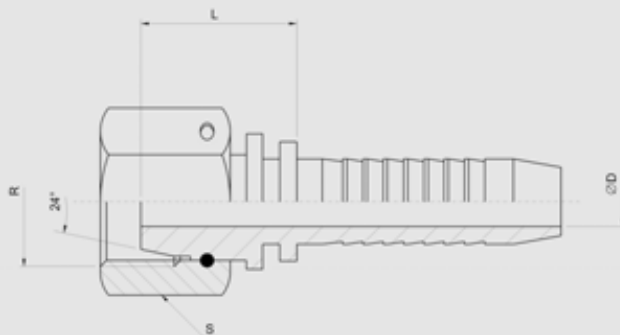
280

MP-055

**MACHO CONO 24°
SERIE FRANCESA
(MULTIESPIRAL)**

*FRENCH METRIC
MALE 24° CONE
(MULTISPIRAL)*

COD.	ØIN.TUB.	DN	R	Ø TUBO.	L	ØD	S
0450550370	5/16"	8	M-20X1,5	13,25	27	7	22
0450550390	3/8"	10	M-20X1,5	13,25	27,6	7	22
0450550410	1/2"	12	M-24X1,5	16,75	28,4	9,3	24
0450550430	5/8"	16	M-30X1,5	21,25	31,7	12,5	30
0450550450	3/4"	20	M-30X1,5	21,25	33	12	30
0450550460	3/4"	20	M-36X1,5	26,75	34	15	36
0450550480	1"	25	M-45X1,5	33,50	39,3	19,8	46



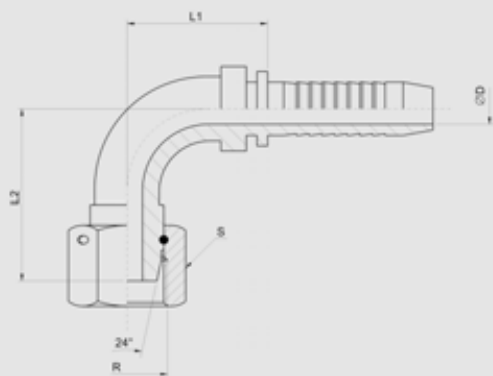
MP-055

**HEMBRA GIRATO-
RIA, CONO 24°
SERIE FRANCESA
(MULTIESPIRAL)**

*FRENCH METRIC
FEMALE 24° CONE
SEAT GAZ TYPE
(MULTISPIRAL)*

COD.	ØIN.TUB.	DN	R	Ø TUBO.	L	ØD	S
0450550530	5/16"	8	M-20X1,5	13,25	22,1	7	24
0450550550	3/8"	10	M-20X1,5	13,25	22,6	7	24
0450550570	1/2"	12	M-24X1,5	16,75	26,5	9,3	30
0450550590	5/8"	16	M-30X1,5	21,25	23,7	12,5	36
0450550610	3/4"	20	M-30X1,5	21,25	25	12	36
0450550620	3/4"	20	M-36X1,5	26,75	27	15	41
0450550640	1"	25	M-45X1,5	33,50	26,8	19,8	50

CONEXIONES PRENSADAS SWAGED FITTINGS



HP-055

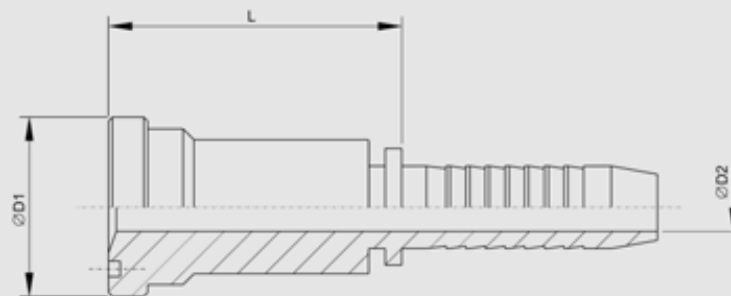
281

COD.	ØIN.TUB.	DN	ROSCA T	Ø TUBO	L1	L2	ØD	S
0450550690	5/16"	8	M-20X1,5	13,25	32	29,5	7	24
0450550710	3/8"	10	M-20X1,5	13,25	36,5	33,5	7	24
0450550730	1/2"	12	M-24X1,5	16,75	45	41	12	30
0450550750	5/8"	16	M-30X1,5	21,25	51,5	53,5	12,5	36
0450550770	3/4"	20	M-30X1,5	21,25	47	58	15	36
0450550780	3/4"	20	M-36X1,5	26,75	61,5	60	15	41
0450550800	1"	25	M-45X1,5	33,50	65	70	26	55

**HEMBRA GIRATO-
RIA A 90° CONO 24°
SERIE FRANCESA
(MULTIESPIRAL)**

*90° FRENCH METRIC
FEMALE 24° CONE
SEAT GAZ TYPE
(MULTISPIRAL)*

CONEXIONES PRENSADAS SWAGED FITTINGS



282

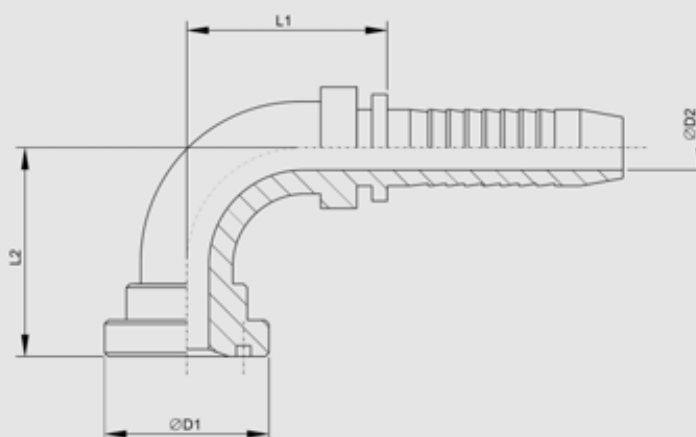
BP-086

**BRIDA SAE J518
RECTA 3000 PSI
(MULTIESPIRAL,
PIEZA ÚNICA)**

*STRAIGHT SAE J518
FLANGE 3000*

COD.	ØIN.TUB.	DN	BRIDA	ØD1	L	ØD2
0450860260	1/2"	13	1/2"	30,2	46	9,5
0450860280	1/2"	13	3/4"	38,1	50	9,5
0450860300	3/4"	20	3/4"	38,1	51	15
0450860320	3/4"	20	1"	44,5	54	15
0450860340	1"	25	1"	44,5	56	20
0450860360	1"	25	1"1/4	50,8	60	20

* A partir de 1"1/4 serian las de la pagina 264
* From 1" 1/4 will be on page 264



BP-087

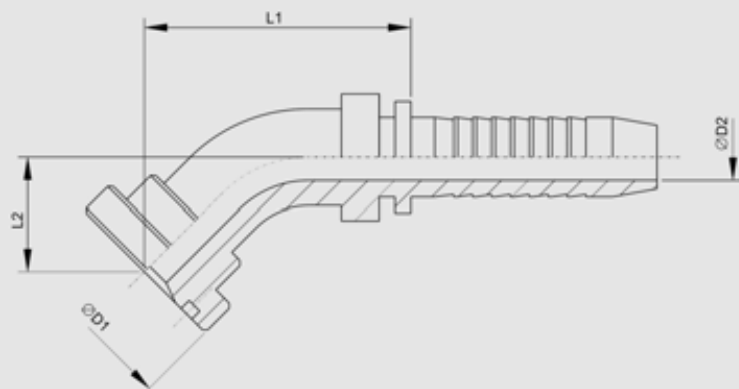
**BRIDA SAE J518 A
90° 3000 PSI (MUL-
TIESPIRAL, PIEZA
ÚNICA)**

*90° SAE J518 FLAN-
GE 3000*

COD.	ØIN.TUB.	DN	BRIDA	ØD1	L1	L2	ØD2
0450870260	1/2"	13	1/2"	30,2	46	43,5	9,5
0450870280	1/2"	13	3/4"	38,1	40	43,5	9,5
0450870300	3/4"	20	3/4"	38,1	55	55	15
0450870320	3/4"	20	1"	44,5	58	57,5	15
0450870340	1"	25	1"	44,5	72	64,5	20
0450870360	1"	25	1"1/4	50,8	72	70	20

* A partir de 1"1/4 serian las de la pagina 265
* From 1" 1/4 will be on page 265

CONEXIONES PRENSADAS SWAGED FITTINGS



BP-088

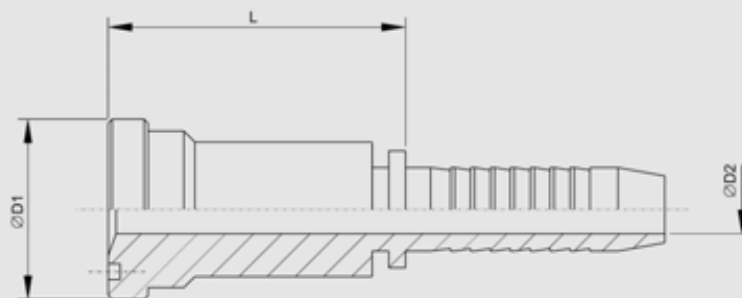
283

COD.	ØIN.TUB.	DN	BRIDA	ØD1	L1	L2	ØD2
0450880260	1/2"	13	1/2"	30,2	52	22	9,5
0450880280	1/2"	13	3/4"	38,1	55	25	9,5
0450880300	3/4"	20	3/4"	38,1	70	27	15
0450880320	3/4"	20	1"	44,5	75	30	15
0450880340	1"	25	1"	44,5	84	33	20
0450880360	1"	25	1"1/4	50,8	84	33	20

**BRIDA SAE J518 A
45° 3000 PSI (MUL-
TIESPIRAL, PIEZA
ÚNICA)**

**45° SAE J518 FLAN-
GE 3000**

* A partir de 1"1/4 serian las de la pagina 266
* From 1" 1/4 will be on page 266



BP-086

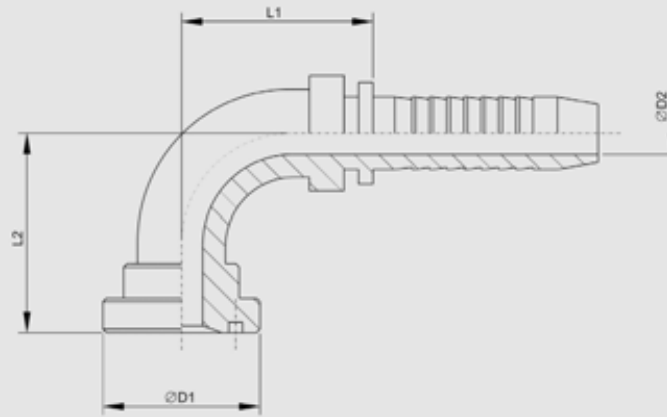
COD.	ØIN.TUB.	DN	BRIDA	ØD1	L	ØD2
0450860760	1/2"	13	1/2"	31,7	47	9,5
0450860780	1/2"	13	3/4"	41,3	54	9,5
0450860800	3/4"	20	3/4"	41,3	55	15
0450860820	3/4"	20	1"	47,6	62	15
0450860840	1"	25	1"	47,6	63	20
0450860860	1"	25	1"1/4	54,0	71	20

**BRIDA SAE J518
RECTA 6000 PSI
(MULTIESPIRAL,
PIEZA ÚNICA)**

**STRAIGHT SAE J518
FLANGE 6000**

* A partir de 1"1/4 serian las de la pagina 267
* From 1" 1/4 will be on page 267

CONEXIONES PRENSADAS SWAGED FITTINGS



284

BP-087

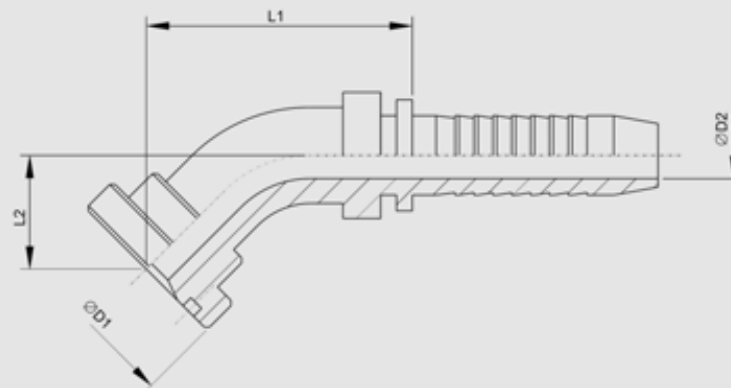
**BRIDA SAE J518 A
90° 6000 PSI (MUL-
TIESPIRAL, PIEZA
ÚNICA)**

*90° SAE J518 FLAN-
GE 6000*

COD.	ØIN.TUB.	DN	BRIDA	ØD1	L1	L2	ØD2
0450870760	1/2"	13	1/2"	31,7	46	43	9,5
0450870780	1/2"	13	3/4"	41,3	52	49,5	9,5
0450870800	3/4"	20	3/4"	41,3	58	56,5	15
0450870820	3/4"	20	1"	47,6	58	61	15
0450870840	1"	25	1"	47,6	72	70	20
0450870860	1"	25	1"1/4	54,0	71	73	20

* A partir de 1"1/4 serian las de la pagina 268

* From 1" 1/4 will be on page 268



BP-088

**BRIDA SAE J518 A
45° 6000 PSI (MUL-
TIESPIRAL, PIEZA
ÚNICA)**

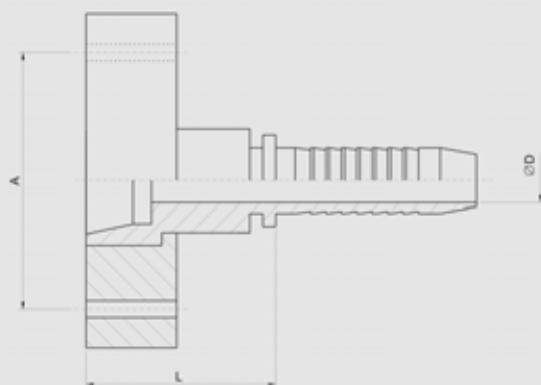
*45° SAE J518 FLAN-
GE 6000*

COD.	ØIN.TUB.	DN	BRIDA	ØD1	L1	L2	ØD2
0450880760	1/2"	13	1/2"	31,7	52	22	9,5
0450880780	1/2"	13	3/4"	41,3	55	25	9,5
0450880800	3/4"	20	3/4"	41,3	73	30	15
0450880820	3/4"	20	1"	47,6	78	34	15
0450880840	1"	25	1"	47,6	88	37	20
0450880860	1"	25	1"1/4	54,0	93	42	20

* A partir de 1"1/4 serian las de la pagina 269

* From 1" 1/4 will be on page 269

CONEXIONES PRENSADAS SWAGED FITTINGS

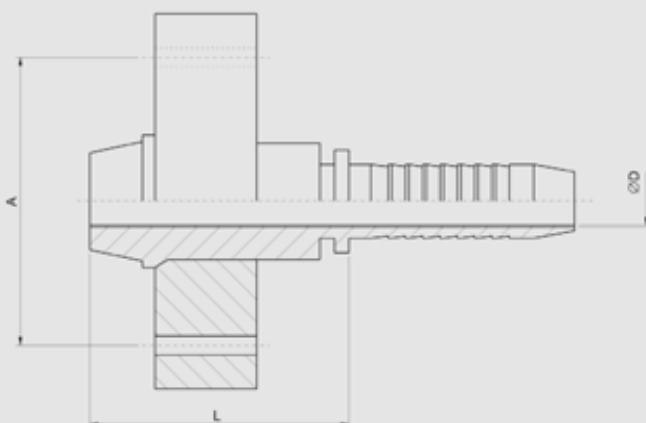


285

	COD.	ØIN.TUB.	DN	BRIDA	L	A	ØD
	0451010020	1/2"	13	1/2"	41	44,4	9,5
	0451010040	5/8"	16	5/8"	40	44,4	12
	0451010060	3/4"	20	3/4"	50	56,1	15
	0451010080	1"	25	1"	58	63,5	20
	0451010100	1 1/4"	32	1 1/4"	70	73,9	25
	0451010180	1/2"	13	1/2"	41	40,5	9,5
	0451010200	5/8"	16	5/8"	40	40,5	12
	0451010220	3/4"	20	3/4"	50	50,8	15
	0451010240	1"	25	1"	58	57,2	20
	0451010260	1 1/4"	32	1 1/4"	70	73,9	25

**BRIDA HEMBRA
POCLAIN**

*POCLAIN FEMALE
FLANGE*



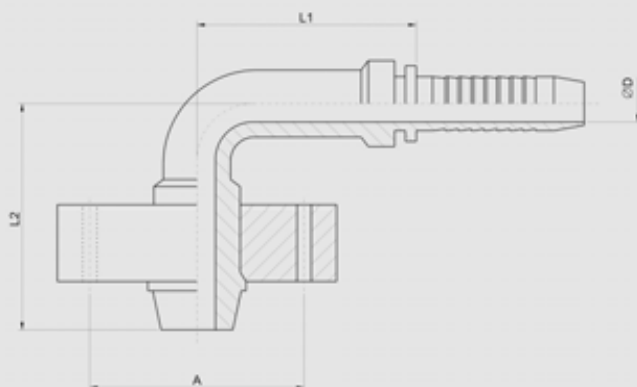
285

	COD.	ØIN.TUB.	DN	BRIDA	L	A	ØD
	0451010340	1/2"	13	1/2"	47	44,4	9,5
	0451010360	5/8"	16	5/8"	45	44,4	12
	0451010380	3/4"	20	3/4"	40	56,1	15
	0451010400	1"	25	1"	58	63,5	20
	0451010420	1 1/4"	32	1 1/4"	69	73,9	25
	0451010480	1/2"	13	1/2"	47	40,5	9,5
	0451010500	5/8"	16	5/8"	45	40,5	12
	0451010520	3/4"	20	3/4"	40	50,8	15
	0451010540	1"	25	1"	58	57,2	20
	0451010560	1 1/4"	32	1 1/4"	69	66,7	25

**BRIDA MACHO
POCLAIN**

*POCLAIN MALE
FLANGE*

CONEXIONES PRENSADAS SWAGED FITTINGS



286

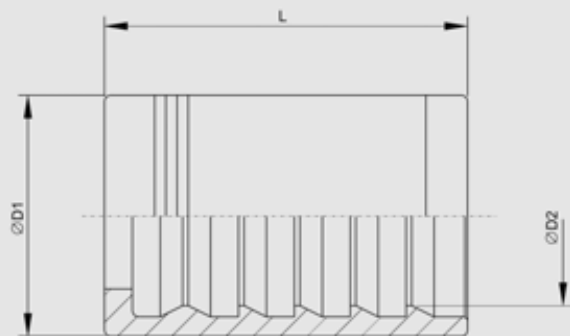
**BRIDA MACHO A 90°
POCLAIN**

*90° POCLAIN MALE
FLANGE*



COD.	ØIN.TUB.	DN	BRIDA	L1	L2	A	ØD
0451010620	1/2"	13	1/2"	40	50	44,4	9,5
0451010640	5/8"	16	5/8"	46	52	44,4	12
0451010660	3/4"	20	3/4"	58	70	56,1	15
0451010680	1"	25	1"	72	91	63,5	20
0451010700	1"1/4	32	1"1/4	85	100	73,9	25
0451010760	1/2"	13	1/2"	40	50	40,5	9,5
0451010780	5/8"	16	5/8"	46	52	40,5	12
0451010800	3/4"	20	3/4"	58	70	50,8	15

CONEXIONES PRENSADAS SWAGED FITTINGS



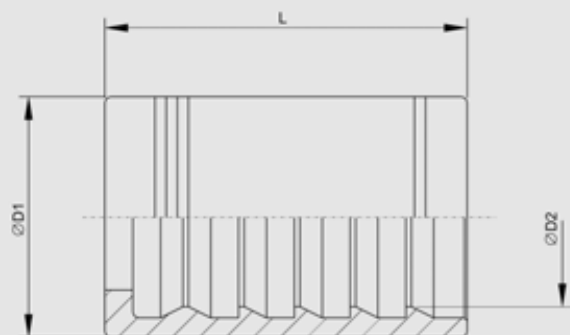
CP-12

287

COD.	ØINT.TUB.	DN	ØD1	L	ØD2	SKIVE LENGHT LONG. PELADO
0452000200	3/4"	20	38	60	30	52/15
0452000250	1"	25	46	74,5	37,3	65/17
0452000320	1"1/4	32	55	88	44,2	74/21,5
0452000400	1"1/2	40	62	94	51,3	81/22
0452000500	2"	50	78	99	66	85/29

CASQUILLO PRENSADO PARA TUBERÍA SAE 100 4SH INTERLOCK-R12

SWAGED FERRULE FOR SAE 100 4SH INTERLOCK-R12



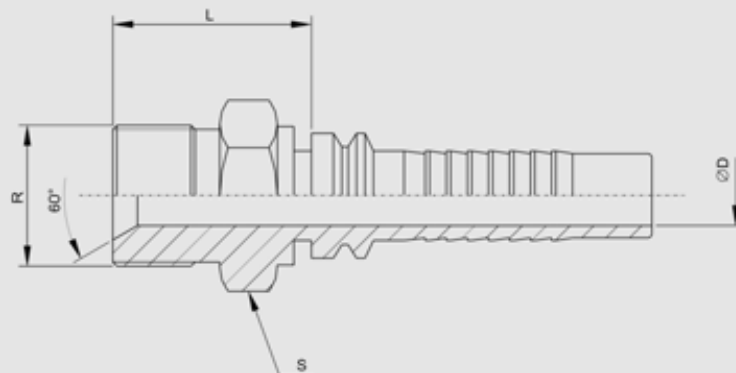
CP-13

COD.	ØINT.TUB.	DN	ØD1	L	ØD2	SKIVE LENGHT LONG. PELADO
0452001200	3/4"	20	38	60	30	52/15
0452001250	1"	25	46	74,5	37,3	65/17
0452001320	1"1/4	32	60	88	49,5	74/21,5
0452001400	1"1/2	40	67	94	56	81/22
0452001500	2"	50	84,5	99	71	85/29

CASQUILLO PRENSADO PARA TUBERÍA SAE 100 R13 INTERLOCK

SWAGED FERRULE SAE 100 R13 INTERLOCK

CONEXIONES PRENSADAS SWAGED FITTINGS



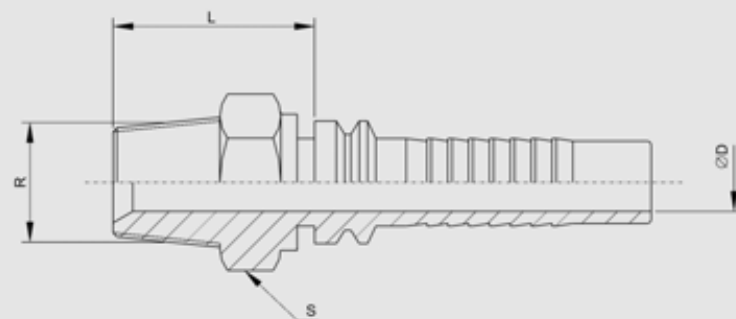
288

MP-203

**MACHO FIJO INTER-
LOCK BSP CONO
60°**

*BSP MALE PARA-
LLEL 60° CONE
INTERLOCK*

COD.	ØINT.TUB.	DN	R	L	ØD	S
0452030460	3/4"	20	3/4"-14	33	14	32
0452030540	1"	25	1"-11	37	20	38
0452030580	1"	25	1"1/4-11	42	19	50
0452030620	1"1/4	32	1"1/4-11	42	26	50
0452030660	1"1/4	32	1"1/2-11	44	26	55
0452030700	1"1/2	40	1"1/2-11	44	32	55
0452030730	1"1/2	40	2"-11	53	32	70
0452030740	2"	50	2"-11	53	42	70



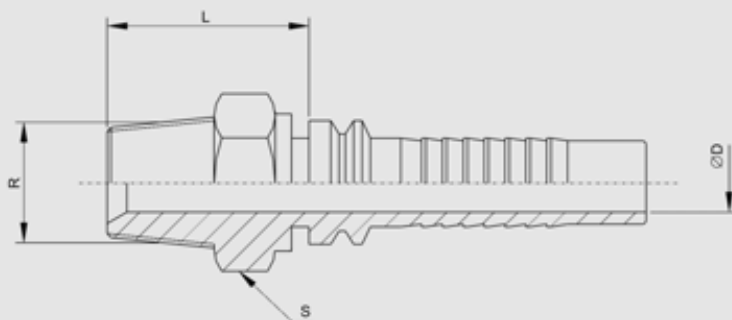
MP-298

**MACHO FIJO INTER-
LOCK BSPT CONO 60°**

*BSP TAPER MALE 60°
CONE INTERLOCK*

COD.	ØINT.TUB.	DN	R	L	ØD	S
0452980460	3/4"	20	3/4"-14	35	14	30
0452980540	1"	25	1"-11	41	20	36
0452980620	1"1/4	32	1"1/4-11	44	26	46
0452980700	1"1/2	40	1"1/2-11	47	32	50
0452980740	2"	50	2"-11	54	42	65

CONEXIONES PRENSADAS SWAGED FITTINGS



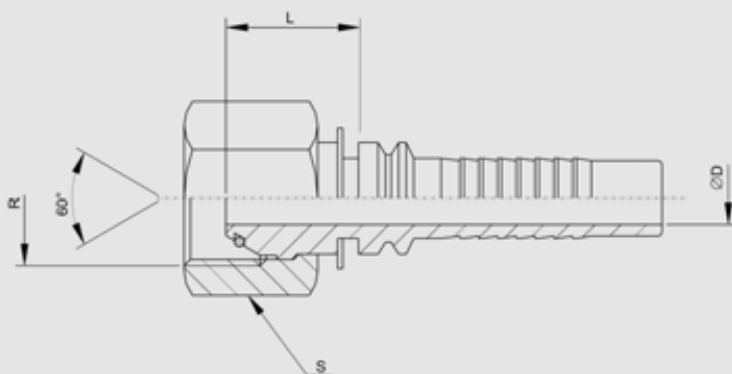
MP-299

289

COD.	ØINT.TUB.	DN	R	L	ØD	S
0452990460	3/4"	20	3/4"-14	35	14	30
0452990540	1"	25	1"-11 1/2	41	20	36
0452990620	1 1/4"	32	1 1/4"-11 1/2	44	26	46
0452990700	1 1/2"	40	1 1/2"-11 1/2	47	32	50
0452990740	2"	50	2"-11 1/2	54	42	65

**MACHO FIJO INTER-
LOCK NPT CONO
60°**

*NPTF MALE 60°
CONE INTERLOCK*



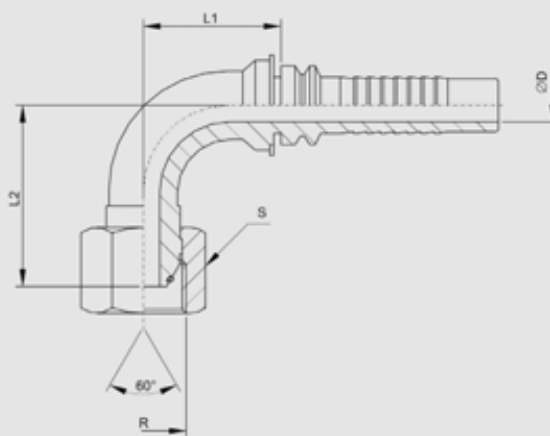
HP-206

COD.	ØINT.TUB.	DN	R	L	ØD	S
0452060460	3/4"	20	3/4"-14	23	14	32
0452060540	1"	25	1"-11	26	20	38
0452060580	1"	25	1 1/4"-11	30,8	19	50
0452060620	1 1/4"	32	1 1/4"-11	29	26	50
0452060660	1 1/4"	32	1 1/2"-11	31	26	55
0452060700	1 1/2"	40	1 1/2"-11	31	32	55
0452060730	1 1/2"	40	2"-11	30	32	70
0452060740	2"	50	2"-11	30	42	70

**HEMBRA GIRAT.
RECTA INTERLOCK
BSP CONO 60°**

*BSP FEMALE 60°
CONE THRUST
WIRE NUT INTER-
LOCK*

CONEXIONES PRENSADAS SWAGED FITTINGS



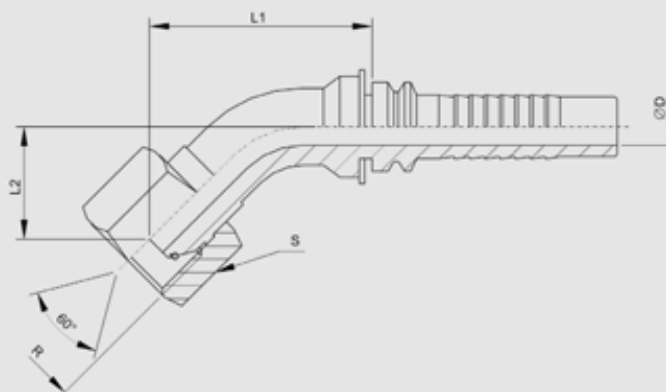
290

HP-209

**HEMBRA GIRAT. 90°
INTERLOCK BSP
CONO 60°**

*BSP 90° SWEPT
ELBOW 60° CONE
THRUST WIRE NUT
INTERLOCK*

COD.	ØINT.TUB.	DN	R	L1	L2	ØD	S
0452090460	3/4"	20	3/4"-14	54	59	14	32
0452090540	1"	25	1"-11	69	72	20	38
0452090580	1"	25	1"1/4-11	71	75	19	50
0452090620	1"1/4	32	1"1/4-11	88	79	26	50
0452090660	1"1/4	32	1"1/2-11			26	55
0452090700	1"1/2	40	1"1/2-11	98	95	30	55
0452090730	1"1/2	40	2"-11			30	70
0452090740	2"	50	2"-11	128	132	40	70



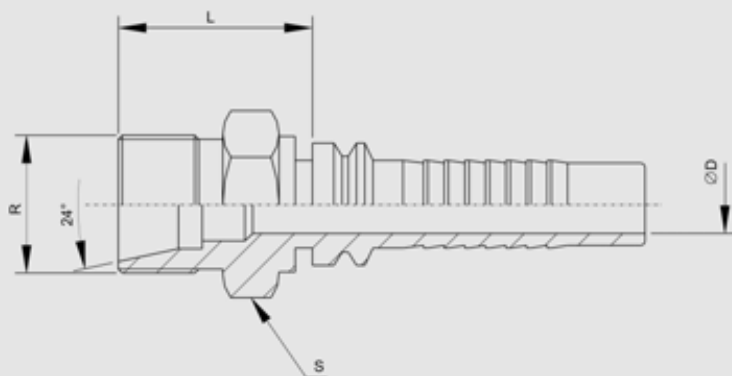
HP-212

**HEMBRA GIRAT. 45°
INTERLOCK BSP
CONO 60**

*BSP 45° SWEPT
ELBOW 60° CONE
THRUST WIRE NUT
INTERLOCK*

COD.	ØINT.TUB.	DN	R	L1	L2	ØD	S
0452120460	3/4"	20	3/4"-14	70	28	14	32
0452120540	1"	25	1"-11	87	38	20	38
0452120580	1"	25	1"1/4-11	90	46	19	50
0452120620	1"1/4	32	1"1/4-11	101	49	26	50
0452120660	1"1/4	32	1"1/2-11			26	55
0452120700	1"1/2	40	1"1/2-11	119	59	30	55
0452120730	1"1/2	40	2"-11			30	70
0452120740	2"	50	2"-11	141	68	40	70

CONEXIONES PRENSADAS SWAGED FITTINGS



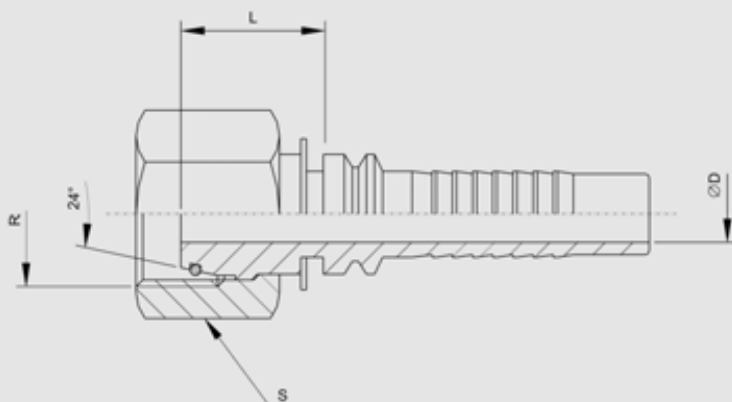
MP-230

291

COD.	ØIN.TU.	DN	R	DIN T.	L	ØD	S
0452300490	3/4"	20	M-30X2	20S	32	14	30
0452300500	3/4"	20	M-36X2	25S	36	14	36
0452300580	1"	25	M-42X2	30S	39	20	46
0452300670	1"1/4	32	M-52X2	38S	47	26	55

**MACHO MÉTRICO
CONO 24° SERIE
PESADA INTERLOCK**

*METRIC MALE 24°
SEAT HEAVY INTER-
LOCK*



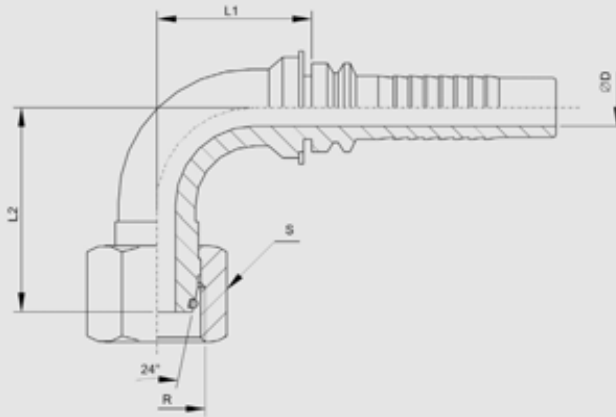
HP-246

COD.	ØIN.TUB.	DN	R	DIN T.	L	ØD	S
0452460490	3/4"	20	M-30X2	20S	31	14	36
0452460500	3/4"	20	M-36X2	25S	37	14	46
0452460550	1"	25	M-36X2	25S	38	20	46
0452460580	1"	25	M-42X2	30S	41	20	50
0452460670	1"1/4	32	M-52X2	38S	42	26	60
0452460720	1"1/2	40	M-52X2	38S	42	32	60

**HEMBRA GIRATORIA
MÉTRICA CONO 24°
SERIE PESADA CON
JUNTA INTERLOCK**

*METRIC FEMALE 24°
SEAT HEAVY INTER-
LOCK*

CONEXIONES PRENSADAS SWAGED FITTINGS



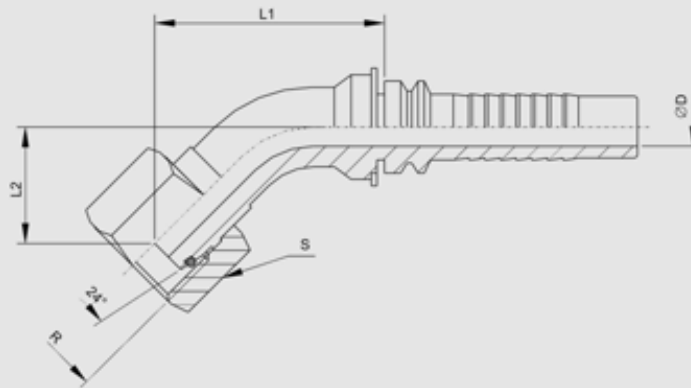
292

HP-250

**HEMBRA GIRATO-
RIA METRICA A 90°
CONO 24° SERIE
PESADA CON
JUNTA INTERLOCK**

*90° METRIC SWEPT
ELBOW 24° SEAT
HEAVY INTERLOCK*

COD.	ØIN.TUB.	DN	R	DIN T.	L1	L2	ØD	S
0452500490	3/4"	20	M-30X2	20S	55	55	14	41
0452500500	3/4"	20	M-36X2	25S	53	57	14	46
0452500580	1"	25	M-42X2	30S	69	65	20	50
0452500670	1"1/4	32	M-52X2	38S	80	82	26	60



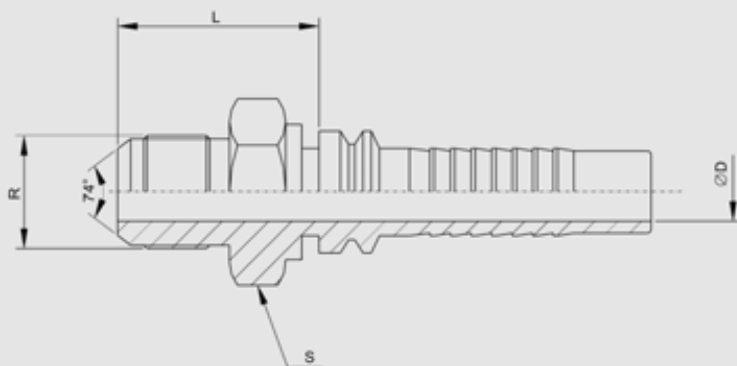
HP-254

**HEMBRA GIRATO-
RIA METRICA A 45°
CONO 24° SERIE
PESADA CON
JUNTA INTERLOCK**

*45° METRIC SWEPT
ELBOW 24° SEAT
HEAVY INTERLOCK*

COD.	ØIN.TUB.	DN	R	DIN T.	L1	L2	ØD	S
0452540490	3/4"	20	M-30X2	20S	70	30	14	41
0452540500	3/4"	20	M-36X2	25S	71	31	14	46
0452540580	1"	25	M-42X2	30S	80	33	20	50
0452540670	1"1/4	32	M-52X2	38S	99	47	26	60

CONEXIONES PRENSADAS SWAGED FITTINGS



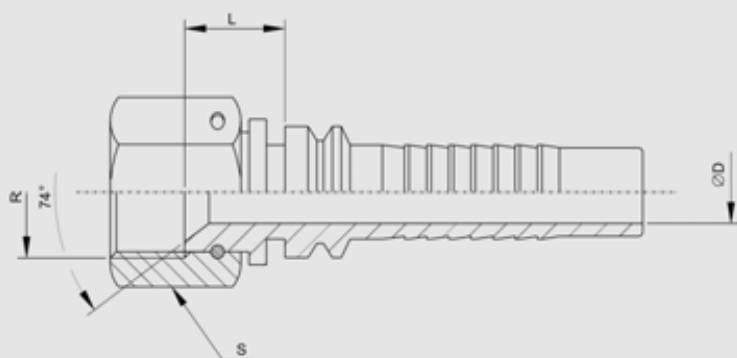
MP-270

293

COD.	ØINT.TUB.	DN	R	L	ØD	S
0452700470	3/4"	20	1"1/16-12	36	14	27
0452700500	1"	25	1"5/16-12	40	20	34
0452700620	1"1/4	32	1"5/8-12	44	26	42
0452700660	1"1/2	40	1"7/8-12	49	32	50
0452700750	2"	50	2"1/2-12	61	42	65

**MACHO JIC CONO
74° INTERLOCK**

*JIC MALE 74° CONE
INTERLOCK*



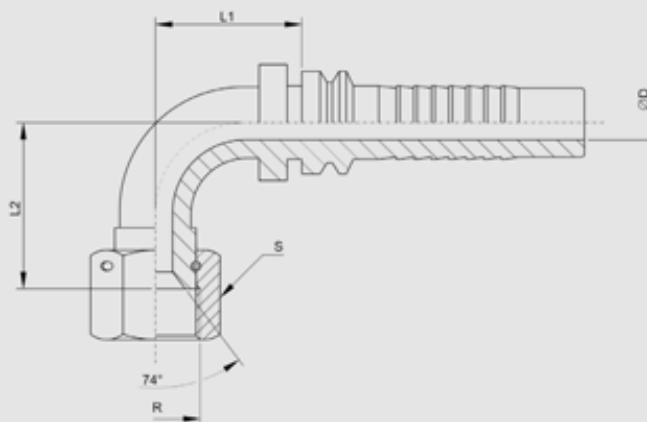
HP-273

COD.	ØINT.TUB.	DN	R	L	ØD	S
0452730470	3/4"	20	1"1/16-12	19	14	32
0452730540	1"	25	1"5/16-12	23	20	41
0452730610	1"1/4	32	1"5/8-12	26	26	50
0452730660	1"1/2	40	1"7/8-12	29	32	55
0452730750	2"	50	2"1/2-12	30	42	70

**HEMBRA GIRATO-
RIA RECTA JIC,
CONO 74° INTER-
LOCK**

*JIC FEMALE 74°
CONE THRUST
WIRE NUT INTER-
LOCK*

CONEXIONES PRENSADAS SWAGED FITTINGS



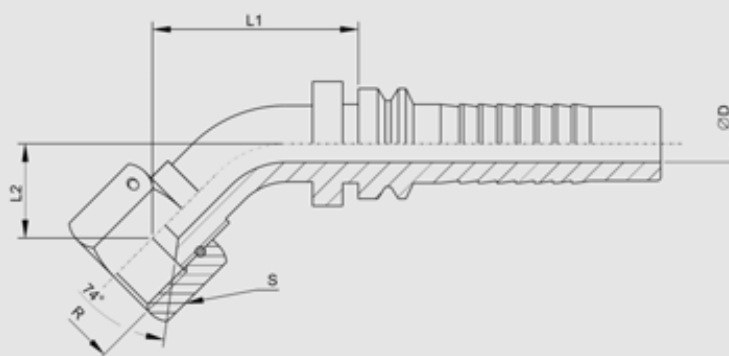
294

HP-276

**HEMBRA GIRATO-
RIA A 90° JIC, CONO
74° INTERLOCK**

*JIC 90° SWEPT
ELBOW 74° CONE
THRUST WIRE NUT
INTERLOCK*

COD.	ØINT.TUB.	DN	R	L1	L2	ØD	S
0452760470	3/4"	20	1"1/16-12	51	55	14	32
0452760540	1"	25	1"5/16-12	66	75	20	41
0452760610	1"1/4	32	1"5/8-12	88	82	26	50
0452760700	1"1/2	40	1"7/8-12	98	96	30	55
0452760750	2"	50	2"1/2-12	122	132	40	70



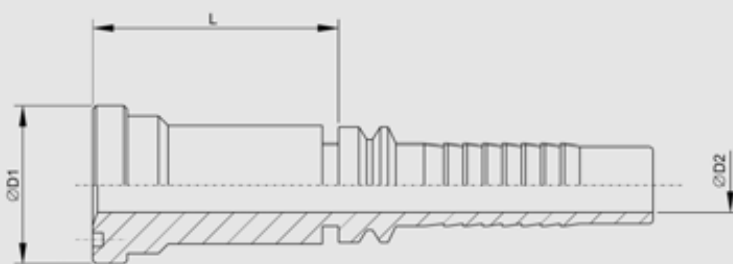
HP-280

**HEMBRA GIRATO-
RIA A 45° JIC, CONO
74° INTERLOCK**

*JIC 45° SWEPT
ELBOW 74° CONE
THRUST WIRE NUT
INTERLOCK*

COD.	ØINT.TUB.	DN	R	L1	L2	ØD	S
0452800470	3/4"	20	1"1/16-12	63	33	14	32
0452800540	1"	25	1"5/16-12	87	38	20	41
0452800610	1"1/4	32	1"5/8-12	103	50	26	50
0452800700	1"1/2	40	1"7/8-12	117	58	30	55
0452800750	2"	50	2"1/2-12	141	68	40	70

CONEXIONES PRENSADAS SWAGED FITTINGS



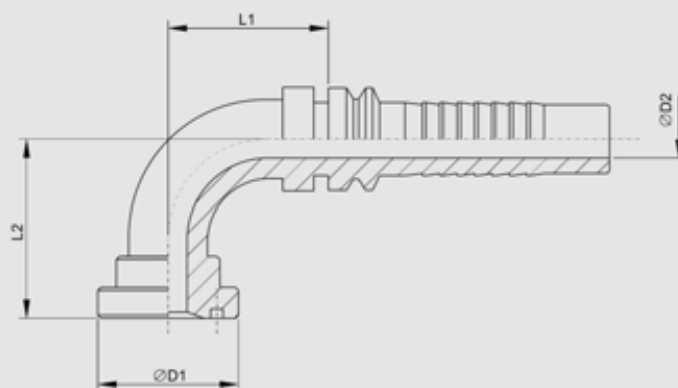
BP-286

295

COD.	ØIN.TUB.	DN	BRIDA	ØD1	L	ØD2
0452860300	3/4"	20	3/4"	38,1	47	14
0452860320	3/4"	20	1"	44,5	50	14
0452860340	1"	25	1"	44,5	52	20
0452860360	1"	25	1"1/4	50,8	55	20
0452860380	1"1/4	32	1"1/4	50,8	56	26
0452860400	1"1/4	32	1"1/2	60,4	59	26
0452860420	1"1/2	40	1"1/2	60,4	60	32
0452860440	1"1/2	40	2"	71,4	65	32
0452860460	2"	50	2"	71,4	67	42

**BRIDA RECTA 3000
PSI INTERLOCK
SAE J.518**

*STRAIGHT SAE J518
FLANGE 3000
INTERLOCK*



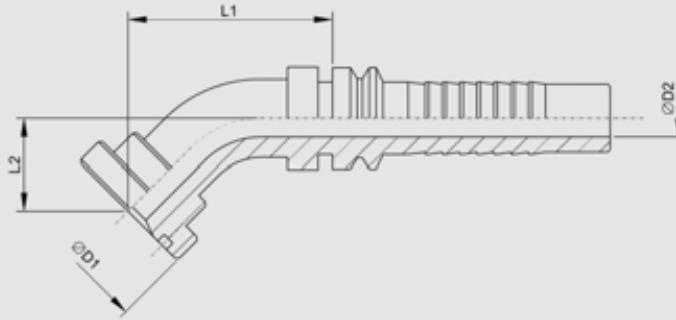
BP-287

COD.	ØIN.TUB.	DN	BRIDA	ØD1	L1	L2	ØD2
0452870300	3/4"	20	3/4"	38,1	49	55	14
0452870320	3/4"	20	1"	44,5	54	58	14
0452870340	1"	25	1"	44,5	67	66	20
0452870360	1"	25	1"1/4	50,8	69	75	20
0452870380	1"1/4	32	1"1/4	50,8	88	78	26
0452870400	1"1/4	32	1"1/2	60,4	88	85	26
0452870420	1"1/2	40	1"1/2	60,4	98	87	30
0452870440	1"1/2	40	2"	71,4	98	90	30
0452870460	2"	50	2"	71,4	122	115	40

**BRIDA A 90° 3000
PSI INTERLOCK
SAE J.518**

*90° SAE J518 FLAN-
GE 3000 INTERLOCK*

CONEXIONES PRENSADAS SWAGED FITTINGS



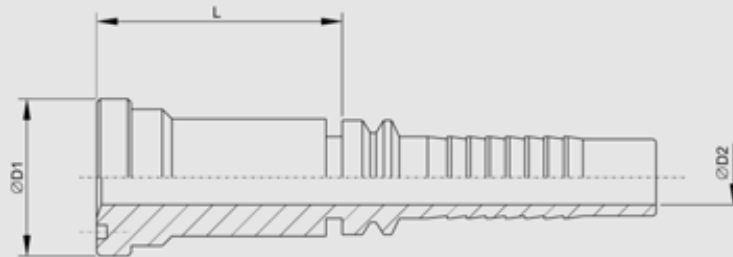
296

BP-288

**BRIDA A 45° 3000
PSI INTERLOCK
SAE J.518**

*45° SAE J518 FLAN-
GE 3000 INTER-
LOCK*

COD.	ØIN.TUB.	DN	BRIDA	ØD1	L1	L2	ØD2
0452880300	3/4"	20	3/4"	38,1	71	33	14
0452880320	3/4"	20	1"	44,5	71	31	14
0452880340	1"	25	1"	44,5	84	35	20
0452880360	1"	25	1"1/4	50,8	88	39	20
0452880380	1"1/4	32	1"1/4	50,8	98	46	26
0452880400	1"1/4	32	1"1/2	60,4	100	48	26
0452880420	1"1/2	40	1"1/2	60,4	110	51	30
0452880440	1"1/2	40	2"	71,4	113	53	30
0452880460	2"	50	2"	71,4	128	56	40



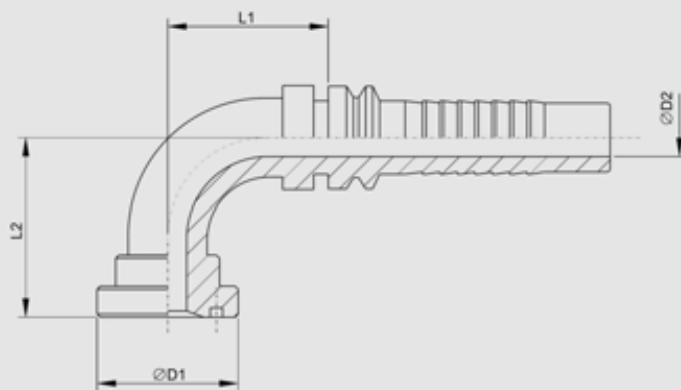
BP-286

**BRIDA RECTA 6000
PSI INTERLOCK
SAE J.518**

*CSTRAIGHT SAE
J518 FLANGE 6000
INTERLOCK*

COD.	ØIN.TUB.	DN	BRIDA	ØD1	L	ØD2
0452860800	3/4"	20	3/4"	41,3	51	14
0452860820	3/4"	20	1"	47,6	57	14
0452860840	1"	25	1"	47,6	59	20
0452860860	1"	25	1"1/4	54	66	20
0452860880	1"1/4	32	1"1/4	54	67	26
0452860900	1"1/4	32	1"1/2	63,5	73	26
0452860920	1"1/2	40	1"1/2	63,5	74	32
0452860940	1"1/2	40	2"	79,4	82	32
0452860960	2"	50	2"	79,4	84	42

CONEXIONES PRENSADAS SWAGED FITTINGS



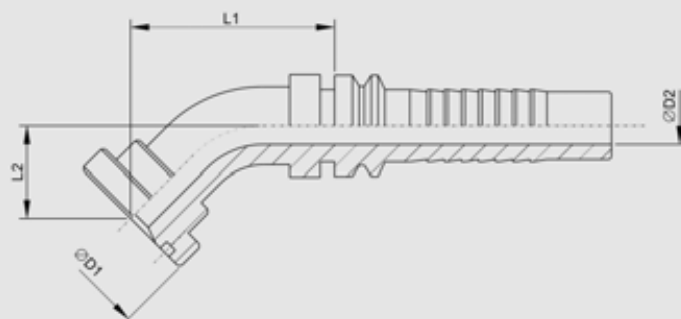
BP-287

297

COD.	ØIN.TUB.	DN	BRIDA	ØD1	L1	L2	ØD2
0452870800	3/4"	20	3/4"	41,3	54	57	14
0452870820	3/4"	20	1"	47,6	53	61	14
0452870840	1"	25	1"	47,6	69	74	20
0452870860	1"	25	1"1/4	54	69	81	20
0452870880	1"1/4	32	1"1/4	54	88	82	26
0452870900	1"1/4	32	1"1/2	63,5	88	89	26
0452870920	1"1/2	40	1"1/2	63,5	101	93	32
0452870940	1"1/2	40	2"	79,4	98	110	32
0452870960	2"	50	2"	79,4	122	136	42

**BRIDA A 90° 6000
PSI INTERLOCK
SAE J.518**

*90° SAE J518 FLAN-
GE 6000 INTER-
LOCK*



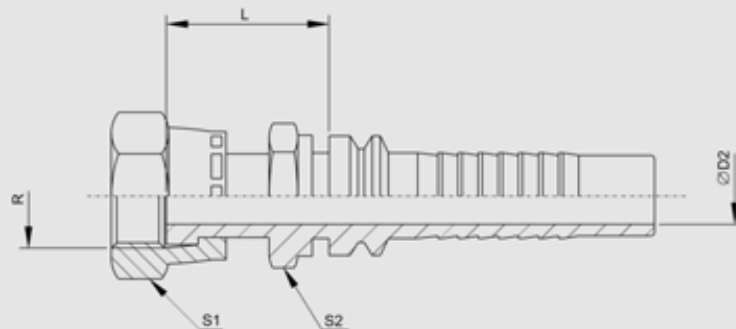
BP-288

COD.	ØIN.TUB.	DN	BRIDA	ØD1	L1	L2	ØD2
0452880800	3/4"	20	3/4"	41,3	70	33	14
0452880820	3/4"	20	1"	47,6	70	41	14
0452880840	1"	25	1"	47,6	87	38	20
0452880860	1"	25	1"1/4	54	92	43	20
0452880880	1"1/4	32	1"1/4	54	99	45	26
0452880900	1"1/4	32	1"1/2	63,5	108	56	26
0452880920	1"1/2	40	1"1/2	63,5	123	55	32
0452880940	1"1/2	40	2"	79,4	127	68	32
0452880960	2"	50	2"	79,4	142	65	42

**BRIDA A 45° 6000
PSI INTERLOCK
SAE J.518**

*45° SAE J518 FLAN-
GE 6000 INTER-
LOCK*

CONEXIONES PRENSADAS SWAGED FITTINGS



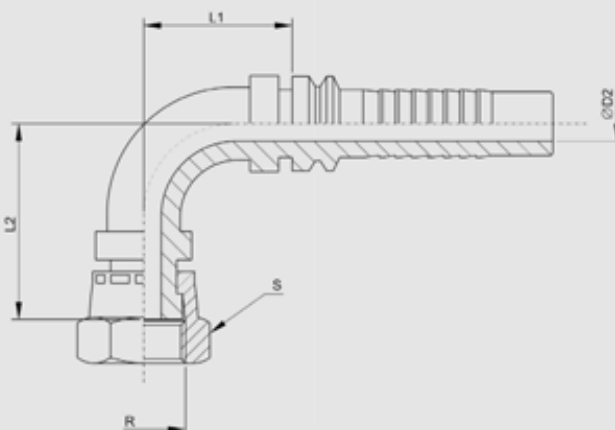
298

HP-282

**HEMBRA GIRATO-
RIA ORFS INTER-
LOCK**

*ORFS FEMALE
INTERLOCK*

COD.	ØIN.TUB.	DN	R	L	ØD	S1	S2
0452820080	3/4"	20	1"3/16-12	41,3	14	36	30
0452820090	3/4"	20	1"7/16-12	43,5	14	41	36
0452820100	1"	25	1"7/16-12	44,5	20	41	36
0452820120	1"1/4	32	1"11/16-12	50,2	26	50	46
0452820140	1"1/2	40	2"-12	52	32	60	50



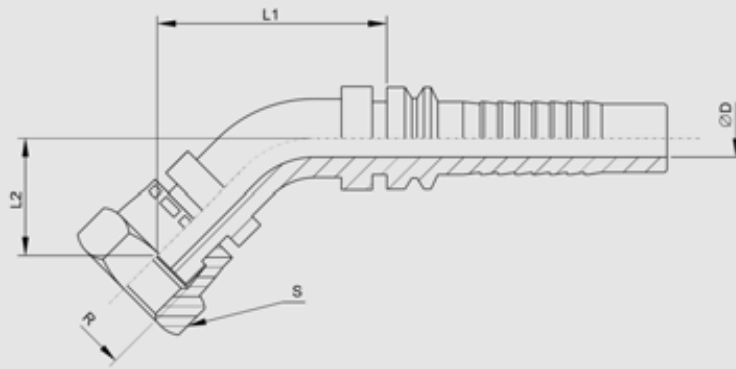
HP-282

**HEMBRA GIRATO-
RIA A 90° ORFS
INTERLOCK**

*ORFS 90° SWEPT
ELBOW INTERLOCK*

COD.	ØIN.TUB.	DN	R	L1	L2	ØD	S
0452820340	3/4"	20	1"3/16-12	58	53	14	36
0452820360	1"	25	1"7/16-12	72	68	20	41
0452820380	1"1/4	32	1"11/16-12	88	83	26	50
0452820400	1"1/2	40	2"-12	106	94	32	60

CONEXIONES PRENSADAS SWAGED FITTINGS



HP-282

299

COD.	ØIN.TUB.	DN	R	L1	L2	ØD	S
0452820580	3/4"	20	1"3/16-12	70	29	14	36
0452820600	1"	25	1"7/16-12	80	37	20	41
0452820620	1"1/4	32	1"11/16-12	103	37	26	50
0452820640	1"1/2	40	2"-12	116	43	32	60

**HEMBRA GIRATO-
RIA A 45° ORFS
INTERLOCK**

**ORFS 45° SWEPT
ELBOW INTERLOCK**



METALAL

BRIDAS

FLANGES

BRIDAS – FLANGES

BRIDAS SAE / SAE FLANGE CLAMPS



3000 PSI
p.305



6000 PSI
p.306



3000 PSI
p.307



6000 PSI
p.308

BRIDAS ROSCADAS / THREADED FLANGES



3000 PSI
p.309



6000 PSI
p.310



3000 PSI
p.311



6000 PSI
p.312



3000 PSI
p.313



6000 PSI
p.314



3000 PSI
p.315



6000 PSI
p.316



3000 PSI
p.317



6000 PSI
p.318

BRIDAS DE SOLDAR / WELD IN FLANGES



3000 PSI
p.319



6000 PSI
p.320



3000 PSI
p.321



6000 PSI
p.322



3000 PSI
p.323



6000 PSI
p.324



3000 PSI
p.325



6000 PSI
p.326



3000 PSI
p.327

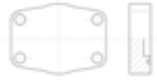


6000 PSI
p.328

BRIDAS CIEGAS / BLIND FLANGES



3000 PSI
p.329



6000 PSI
p.330



3000 PSI
p.331



6000 PSI
p.332

MANGUITOS DE SOLDAR / SAE ADAPTOR WELDING FLANGES



3000 PSI
p.333



6000 PSI
p.334



3000 PSI
p.335



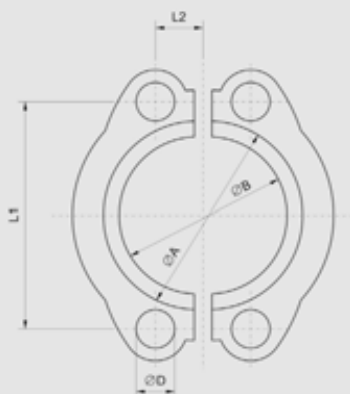
6000 PSI
p.336

JUNTAS TÓRICAS / O-RINGS



p.337

BRIDAS FLANGES



305

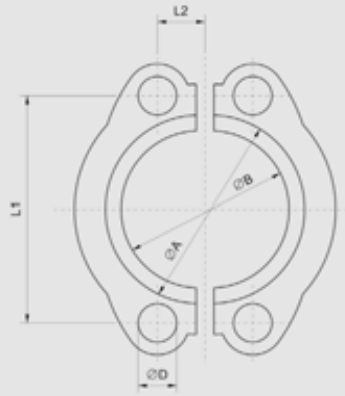


COD.	DN	ØD	ØA	ØB	L1	L2	PRES. (BAR)
0640020080	1/2"	8,75	30,96	24,26	38,10	8,74	345
0640020120	3/4"	10,75	38,89	32,13	47,63	11,13	345
0640020160	1"	10,75	45,24	38,48	52,37	13,08	345
0640020200	1"1/4	12	51,59	43,69	58,72	15,09	276
0640020240	1"1/2	13,5	61,09	50,80	69,85	17,86	207
0640020320	2"	13,5	72,24	62,74	77,77	21,44	207
0640020400	2"1/2	13,5	84,94	74,93	88,90	25,40	172
0640020480	3"	16,75	102,39	90,93	106,38	30,96	138
0640020560	3"1/2	17	115,10	102,36	120,65	34,92	34
0640020640	4"	17	127,79	115,06	130,18	38,88	34
0640020800	5"	17	153,19	140,46	152,40	46,04	34

**BRIDA PARTIDA
3000 PSI**

*CUT SPLIT
FLANGES 3000 PSI*

BRIDAS FLANGES



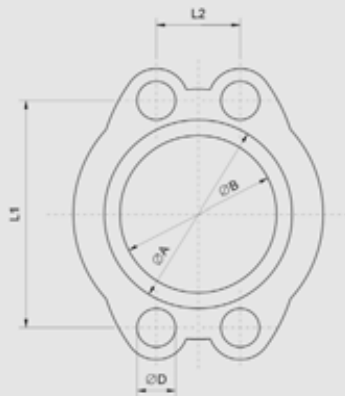
306

**BRIDA PARTIDA
6000 PSI**

*CUT SPLIT
FLANGES 6000 PSI*

COD.	DN	ØD	ØA	ØB	L1	L2	PRES. (BAR)
0640060080	1/2"	8,75	32,54	24,64	40,49	9,12	420
0640060120	3/4"	11	42,06	32,51	50,80	11,91	420
0640060160	1"	13	48,41	38,86	57,15	13,89	420
0640060200	1"1/4	15	54,76	44,45	66,68	15,88	420
0640060240	1"1/2	17	64,29	51,56	79,38	18,26	420
0640060320	2"	21	80,16	67,56	96,82	22,23	420

BRIDAS FLANGES



307

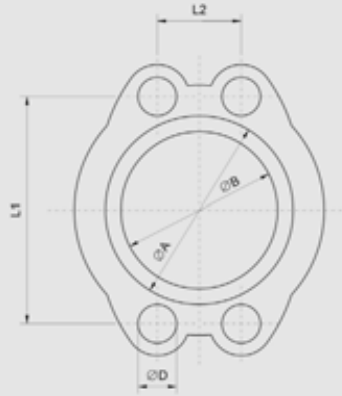


COD.	DN	ØD	ØA	ØB	L1	L2	PRES. (BAR)
0640040080	1/2"	8,75	30,96	24,26	38,10	17,48	345
0640040120	3/4"	10,75	38,89	32,13	47,63	22,23	345
0640040160	1"	10,75	45,24	38,48	52,37	26,19	345
0640040200	1"1/4	12	51,59	43,69	58,72	30,18	276
0640040240	1"1/2	13,5	61,09	50,80	69,85	35,71	207
0640040320	2"	13,5	72,24	62,74	77,77	42,88	207
0640040400	2"1/2	13,5	84,94	74,93	88,90	50,80	172
0640040480	3"	16,75	102,39	90,93	106,38	61,93	138
0640040560	3"1/2	17	115,10	102,36	120,65	69,85	34
0640040640	4"	17	127,79	115,06	130,18	77,77	34
0640040800	5"	17	153,19	140,46	152,40	92,08	34

**BRIDA ENTERA
3000 PSI**

*UNCUT SPLIT
FLANGES 3000 PSI*

BRIDAS FLANGES



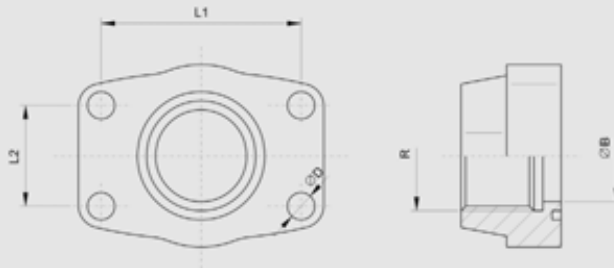
308

**BRIDA ENTERA
6000 PSI**

**UNCUT SPLIT
FLANGES 6000 PSI**

COD.	DN	ØD	ØA	ØB	L1	L2	PRES. (BAR)
0640080080	1/2"	8,75	32,54	24,64	40,49	18,24	420
0640080120	3/4"	11	42,06	32,51	50,80	23,80	420
0640080160	1"	13	48,41	38,86	57,15	27,76	420
0640080200	1"1/4	15	54,76	44,45	66,68	31,75	420
0640080240	1"1/2	17	64,29	51,56	79,38	36,50	420
0640080320	2"	21	80,16	67,56	96,82	44,45	420

BRIDAS FLANGES



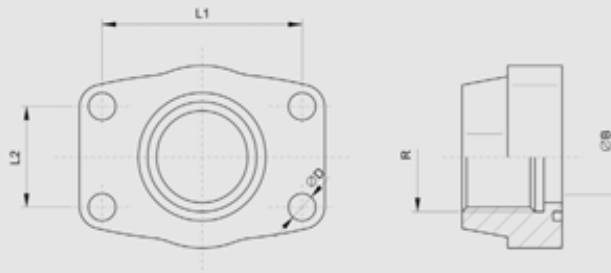
309

COD.	DN	R	ØD	ØB	L1	L2	PRES. (BAR)
0640300080	1/2"	1/2" BSP	9	13	38,10	17,48	345
0640300320	1/2"	3/8" BSP	9	13	38,10	17,48	345
0640300120	3/4"	3/4" BSP	11	19	47,63	22,23	345
0640300530	3/4"	1/2" BSP	11	13	47,63	22,23	345
0640300160	1"	1" BSP	11	25	52,37	26,19	345
0640300660	1"	3/4" BSP	11	19	52,37	26,19	345
0640300200	1"1/4	1"1/4 BSP	11,5	32	58,72	30,18	276
0640300770	1"1/4	1" BSP	11,5	25	58,72	30,18	276
0640300240	1"1/2	1"1/2 BSP	13,5	38	69,85	35,71	207
0640300880	1"1/2	1"1/4 BSP	13,5	32	69,85	35,71	207
0640300320	2"	2" BSP	13,5	51	77,77	42,88	207
0640300910	2"	1"1/2 BSP	13,5	38	77,77	42,88	207
0640300400	2"1/2	2"1/2 BSP	13,5	63	88,90	50,80	172
0640300930	2"1/2	2" BSP	13,5	51	88,90	50,80	172
0640300480	3"	3" BSP	17,5	73	106,38	61,93	138
0640300950	3"	2"1/2 BSP	17,5	63	106,38	61,93	138
0640300560	3"1/2	3"1/2 BSP	17,5	89	120,65	69,85	34
0640300970	3"1/2	3" BSP	17,5	73	120,65	69,85	34
0640300640	4"	4" BSP	17,5	99	130,18	77,77	34
0640300990	4"	3"1/2 BSP	17,5	89	130,18	77,77	34

**BRIDA ROSCADA
3000 PSI BSP**

*BSP THREADED
FLANGES 3000 PSI*

BRIDAS FLANGES



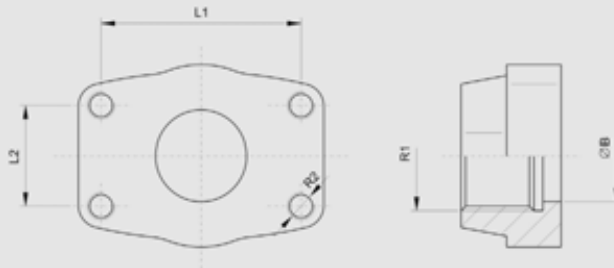
310

**BRIDA ROSCADA
6000 PSI BSP**

*BSP THREADED
FLANGES 6000 PSI*

COD.	DN	R	ØD	ØB	L1	L2	PRES. (BAR)
0640340080	1/2"	1/2" BSP	9	13	40,49	18,24	414
0640340320	1/2"	3/8" BSP	9	13	40,49	18,24	414
0640340120	3/4"	3/4" BSP	11	19	50,80	23,80	414
0640340530	3/4"	1/2" BSP	11	13	50,80	23,80	414
0640340160	1"	1" BSP	13	25	57,15	27,76	414
0640340660	1"	3/4" BSP	13	19	57,15	27,76	414
0640340200	1"1/4	1"1/4 BSP	15	32	66,68	31,75	414
0640340770	1"1/4	1" BSP	15	25	66,68	31,75	414
0640340240	1"1/2	1"1/2 BSP	17	38	79,38	36,50	414
0640340880	1"1/2	1"1/4 BSP	17	32	79,38	36,50	414
0640340320	2"	2" BSP	21	51	96,82	44,45	414
0640340910	2"	1"1/2 BSP	21	38	96,82	44,45	414
0640340400	2"1/2	2"1/2 BSP	26	63	123,80	58,70	414

BRIDAS FLANGES



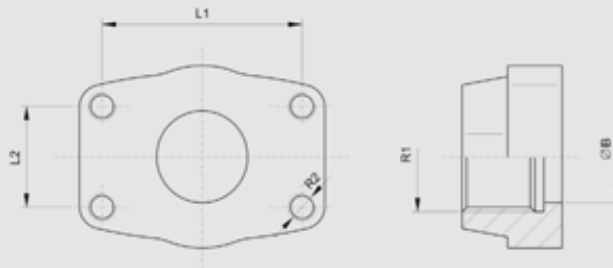
311

COD.	DN	R1	R2	ØB	L1	L2	PRES. (BAR)
0640500080	1/2"	1/2" BSP	M8 5/16" UNC	13	38,10	17,48	345
0640500320	1/2"	3/8" BSP	M8 5/16" UNC	13	38,10	17,48	345
0640500120	3/4"	3/4" BSP	M10 3/8" UNC	19	47,63	22,23	345
0640500530	3/4"	1/2" BSP	M10 3/8" UNC	13	47,63	22,23	345
0640500160	1"	1" BSP	M10 3/8" UNC	25	52,37	26,19	345
0640500660	1"	3/4" BSP	M10 3/8" UNC	19	52,37	26,19	345
0640500200	1"1/4	1"1/4 BSP	M10 7/16" UNC	32	58,72	30,18	276
0640500770	1"1/4	1" BSP	M10 7/16" UNC	25	58,72	30,18	276
0640500240	1"1/2	1"1/2 BSP	M12 1/2" UNC	38	69,85	35,71	207
0640500880	1"1/2	1"1/4 BSP	M12 1/2" UNC	32	69,85	35,71	207
0640500320	2"	2" BSP	M12 1/2" UNC	51	77,77	42,88	207
0640500910	2"	1"1/2 BSP	M12 1/2" UNC	38	77,77	42,88	207
0640500400	2"1/2	2"1/2 BSP	M12 1/2" UNC	63	88,90	50,80	172
0640500930	2"1/2	2" BSP	M12 1/2" UNC	51	88,90	50,80	172
0640500480	3"	3" BSP	M16 5/8" UNC	73	106,38	61,93	138
0640500950	3"	2"1/2 BSP	M16 5/8" UNC	63	106,38	61,93	138
0640500560	3"1/2	3"1/2 BSP	M16 5/8" UNC	89	120,65	69,85	34
0640500970	3"1/2	3" BSP	M16 5/8" UNC	73	120,65	69,85	34
0640500640	4"	4" BSP	M16 5/8" UNC	99	130,18	77,77	34
0640500990	4"	3"1/2 BSP	M16 5/8" UNC	89	130,18	77,77	34

**CONTRABRIDA
ROSCADA 3000 PSI
BSP**

*BSP THREADED
COUNTER FLANGES
3000 PSI*

BRIDAS FLANGES



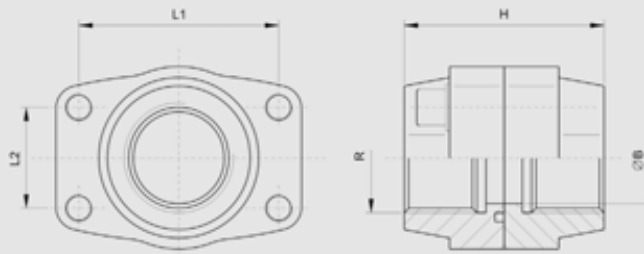
312

**CONTRABRIDA ROS-
CADA 6000 PSI BSP**

*BSP THREADED
COUNTER FLANGES
6000 PSI*

COD.	DN	R1	R2	ØB	L1	L2	PRES. (BAR)
0640510080	1/2"	1/2" BSP	M8 5/16" UNC	13	40,49	18,24	414
0640510320	1/2"	3/8" BSP	M8 5/16" UNC	13	40,49	18,24	414
0640510120	3/4"	3/4" BSP	M10 3/8" UNC	19	50,80	23,80	414
0640510530	3/4"	1/2" BSP	M10 3/8" UNC	13	50,80	23,80	414
0640510160	1"	1" BSP	M12 7/16" UNC	25	57,15	27,76	414
0640510660	1"	3/4" BSP	M12 7/16" UNC	19	57,15	27,76	414
0640510200	1"1/4	1"1/4 BSP	M14 1/2" UNC	32	66,68	31,75	414
0640510770	1"1/4	1" BSP	M14 1/2" UNC	25	66,68	31,75	414
0640510240	1"1/2	1"1/2 BSP	M16 5/8" UNC	38	79,38	36,50	414
0640510880	1"1/2	1"1/4 BSP	M16 5/8" UNC	32	79,38	36,50	414
0640510320	2"	2" BSP	M20 3/4" UNC	51	96,82	44,45	414
0640510910	2"	1"1/2 BSP	M20 3/4" UNC	38	96,82	44,45	414
0640510400	2"1/2	2"1/2 BSP	M24	63	123,80	58,70	414

BRIDAS FLANGES



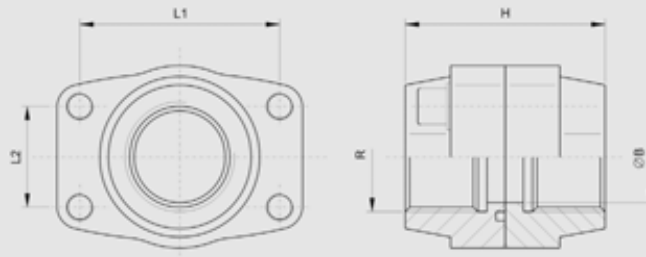
313

COD.	DN	R	ØB	L1	L2	H	PRES. (BAR)
064100080	1/2"	1/2" BSP	13	38,10	17,48	72	345
0641000320	1/2"	3/8" BSP	13	38,10	17,48	72	345
0641000120	3/4"	3/4" BSP	19	47,63	22,23	72	345
0641000530	3/4"	1/2" BSP	13	47,63	22,23	72	345
0641000160	1"	1" BSP	25	52,37	26,19	76	345
0641000660	1"	3/4" BSP	19	52,37	26,19	70	345
0641000200	1"1/4	1"1/4 BSP	32	58,72	30,18	82	276
0641000770	1"1/4	1" BSP	25	58,72	30,18	84	276
0641000240	1"1/2	1"1/2 BSP	38	69,85	35,71	90	207
0641000880	1"1/2	1"1/4 BSP	32	69,85	35,71	90	207
0641000320	2"	2" BSP	51	77,77	42,88	90	207
0641000910	2"	1"1/2 BSP	38	77,77	42,88	90	207
0641000400	2"1/2	2"1/2 BSP	63	88,90	50,80	100	172
0641000930	2"1/2	2" BSP	51	88,90	50,80	100	172
0641000480	3"	3" BSP	73	106,38	61,93	100	138
0641000950	3"	2"1/2 BSP	63	106,38	61,93	100	138
0641000560	3"1/2	3"1/2 BSP	89	120,65	69,85	96	34
0641000970	3"1/2	3" BSP	73	120,65	69,85	96	34
0641000640	4"	4" BSP	99	130,18	77,77	96	34
0641000990	4"	3"1/2 BSP	89	130,18	77,77	96	34

**BRIDA + CONTRA-
BRIDA ROSCADA
3000 PSI BSP**

*BSP THREADED
DOUBLE FLANGES
3000 PSI*

BRIDAS FLANGES



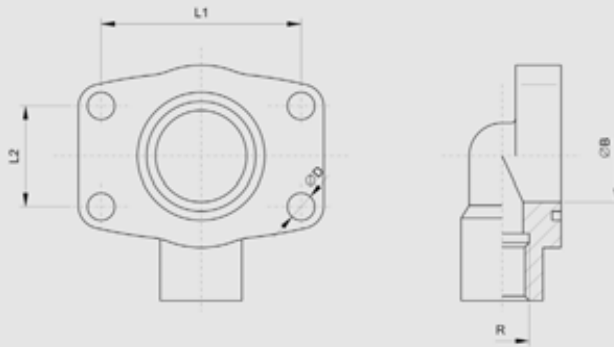
314

**BRIDA + CONTRA-
BRIDA 6000 PSI BSP**

*BSP THREADED
DOUBLE FLANGES
6000 PSI*

COD.	DN	ØA	ØB	L1	L2	H	PRES. (BAR)
0641010080	1/2"	1/2" BSP	13	40,49	18,24	72	414
0641010320	1/2"	3/8" BSP	13	40,49	18,24	72	414
0641010120	3/4"	3/4" BSP	19	50,80	23,80	70	414
0641010530	3/4"	1/2" BSP	13	50,80	23,80	70	414
0641010160	1"	1" BSP	25	57,15	27,76	84	414
0641010660	1"	3/4" BSP	19	57,15	27,76	84	414
0641010200	1"1/4	1"1/4 BSP	32	66,68	31,75	90	414
0641010770	1"1/4	1" BSP	25	66,68	31,75	90	414
0641010240	1"1/2	1"1/2 BSP	38	79,38	36,50	100	414
0641010880	1"1/2	1"1/4 BSP	32	79,38	36,50	100	414
0641010320	2"	2" BSP	51	96,82	44,45	130	414
0641010910	2"	1"1/2 BSP	38	96,82	44,45	130	414

BRIDAS FLANGES



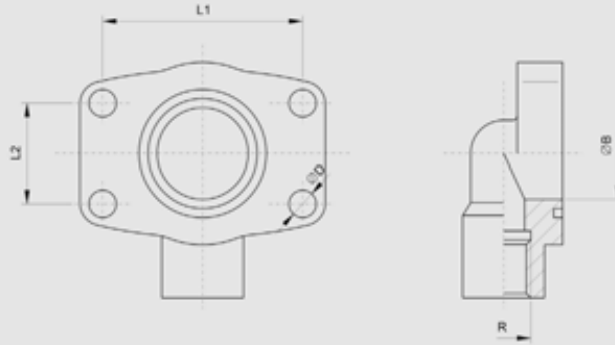
315

COD.	DN	R	ØD	ØB	L1	L2	PRES. (BAR)
0640240080	1/2"	1/2" BSP	9	13	38,10	17,48	345
0640240320	1/2"	3/8" BSP	9	13	38,10	17,48	345
0640240120	3/4"	3/4" BSP	11	19	47,63	22,23	345
0640240530	3/4"	1/2" BSP	11	19	47,63	22,23	345
0640240160	1"	1" BSP	11	25	52,37	26,19	345
0640240660	1"	3/4" BSP	11	25	52,37	26,19	345
0640240200	1"1/4	1"1/4 BSP	11,5	32	58,72	30,18	276
0640240770	1"1/4	1" BSP	11,5	32	58,72	30,18	276
0640240240	1"1/2	1"1/2 BSP	13,5	38	69,85	35,71	207
0640240880	1"1/2	1"1/4 BSP	13,5	38	69,85	35,71	207
0640240320	2"	2" BSP	13,5	51	77,77	42,88	207
0640240910	2"	1"1/2 BSP	13,5	51	77,77	42,88	207

**BRIDA ROSCADA A
90° 3000 PSI BSP**

**BSP THREADED 90°
FLANGES 3000 PSI**

BRIDAS FLANGES



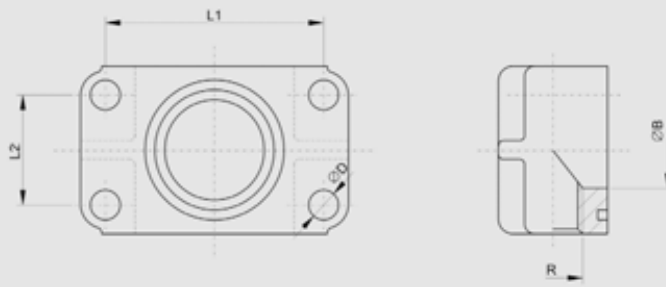
316

**BRIDA ROSCADA A
90° 6000 PSI BSP**

*BSP THREADED 90°
FLANGES 6000 PSI*

COD.	DN	R	ØD	ØB	L1	L2	PRES. (BAR)
0640260080	1/2"	1/2" BSP	9	13	40,49	18,24	414
0640260320	1/2"	3/8" BSP	9	13	40,49	18,24	414
0640260120	3/4"	3/4" BSP	11	19	50,80	23,80	414
0640260530	3/4"	1/2" BSP	11	19	50,80	23,80	414
0640260160	1"	1" BSP	13	25	57,15	27,76	414
0640260660	1"	3/4" BSP	13	25	57,15	27,76	414
0640260200	1"1/4	1"1/4 BSP	15	32	66,68	31,75	414
0640260770	1"1/4	1" BSP	15	32	66,68	31,75	414
0640260240	1"1/2	1"1/2 BSP	17	38	79,38	36,50	414
0640260880	1"1/2	1"1/4 BSP	17	38	79,38	36,50	414

BRIDAS FLANGES



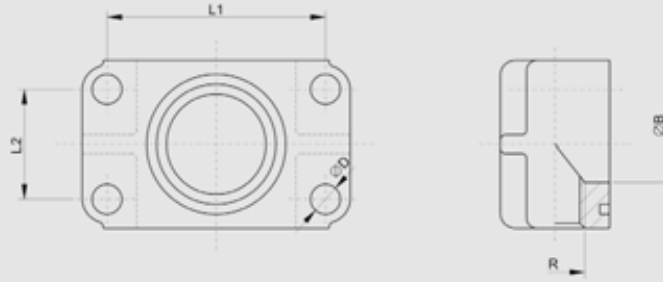
317

COD.	DN	R	ØD	ØB	L1	L2	PRES. (BAR)
0640230120	3/4"	3/4" BSP	11	19	47,63	22,23	345
0640230160	1"	1" BSP	11	25	52,37	26,19	345
0640230200	1"1/4	1"1/4 BSP	11,5	32	58,72	30,18	276
0640230240	1"1/2	1"1/2 BSP	13,5	38	69,85	35,71	207
0640230320	2"	2" BSP	13,5	51	77,77	42,88	207
0640230400	2"1/2	2"1/2 BSP	13,5	63	88,90	50,80	172

**BRIDA ROSCADA A
90° 3000 PSI BSP**

**BSP THREADED 90°
FLANGES 3000 PSI**

BRIDAS FLANGES



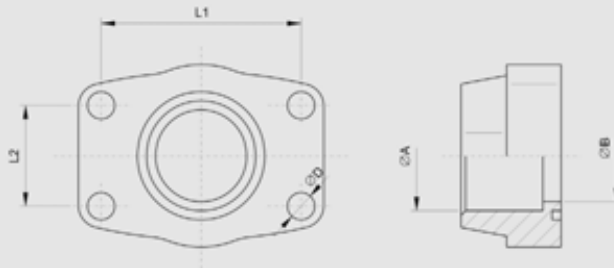
318

**BRIDA ROSCADA A
90° 6000 PSI BSP**

*BSP THREADED 90°
FLANGES 6000 PSI*

COD.	DN	R	ØD	ØB	L1	L2	PRES. (BAR)
0640270120	3/4"	3/4" BSP	11	19	50,80	23,80	414
0640270160	1"	1" BSP	13	25	57,15	27,76	414
0640270200	1"1/4	1"1/4 BSP	15	32	66,68	31,75	414
0640270240	1"1/2	1"1/2 BSP	17	38	79,38	36,50	414
0640270320	2"	2" BSP	21	51	96,82	44,45	414

BRIDAS FLANGES



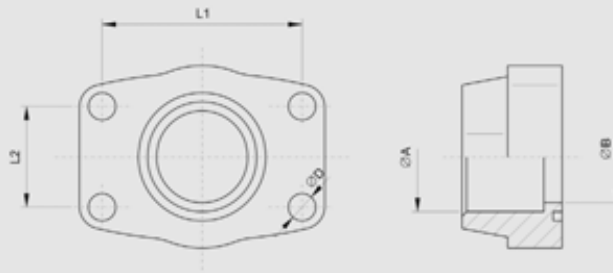
319

COD.	DN	ØD	ØA	ØB	L1	L2	PRES. (BAR)
0640400080	1/2"	9	21,6	13	38,1	17,48	345
0640400120	3/4"	11	27,2	19	47,63	22,23	345
0640400160	1"	11	34	25	52,37	26,19	345
0640400200	1"1/4	11,5	42,8	32	58,72	30,18	276
0640400240	1"1/2	13,5	48,6	38	69,85	35,71	207
0640400320	2"	13,5	61	51	77,77	42,88	207
0640400400	2"1/2	13,5	76,6	63	88,90	50,80	172
0640400480	3"	17,5	90,5	73	106,38	61,93	138
0640400560	3"1/2	17,5	103	89	120,65	69,85	34
0640400640	4"	17,5	115,5	99	130,18	77,77	34

**BRIDA SOLDAR
3000 PSI**

**WELD IN FLANGES
3000 PSI**

BRIDAS FLANGES



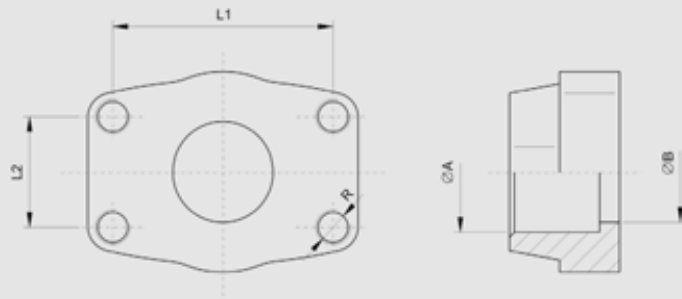
320

**BRIDA SOLDAR
6000 PSI**

**WELD IN FLANGES
6000 PSI**

COD.	DN	ØD	ØA	ØB	L1	L2	PRES. (BAR)
0640420080	1/2"	9	21,6	13	40,49	18,24	414
0640420120	3/4"	11	27,2	19	50,80	23,80	414
0640420160	1"	13	34	25	57,15	27,76	414
0640420200	1"1/4	15	42,8	32	66,68	31,75	414
0640420240	1"1/2	17	48,6	38	79,38	36,50	414
0640420320	2"	21	61	51	96,82	44,45	414
0640420400	2"1/2	26	76,6	63	123,80	58,70	414

BRIDAS FLANGES



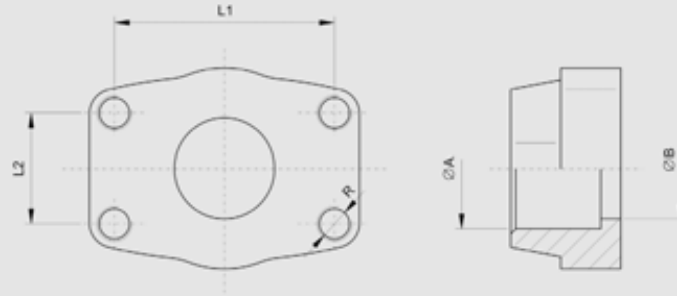
321

COD.	DN	R		ØA	ØB	L1	L2	PRES. (BAR)
0640550080	1/2"	M8	5/16" UNC	21,6	13	38,1	17,48	345
0640550120	3/4"	M10	3/8" UNC	27,2	19	47,63	22,23	345
0640550160	1"	M10	3/8" UNC	34	25	52,37	26,19	345
0640550200	1"1/4	M10	7/16" UNC	42,8	32	58,72	30,18	276
0640550240	1"1/2	M12	1/2" UNC	48,6	38	69,85	35,71	207
0640550320	2"	M12	1/2" UNC	61	51	77,77	42,88	207
0640550400	2"1/2	M12	1/2" UNC	76,6	63	88,90	50,80	172
0640550480	3"	M16	5/8" UNC	90,5	73	106,38	61,93	138
0640550560	3"1/2	M16	5/8" UNC	103	89	120,65	69,85	34
0640550640	4"	M16	5/8" UNC	115,5	99	130,18	77,77	34

**CONTRABRIDA
PARA SOLDAR
3000 PSI**

*WELD IN COUNTER-
FLANGES 3000 PSI*

BRIDAS FLANGES



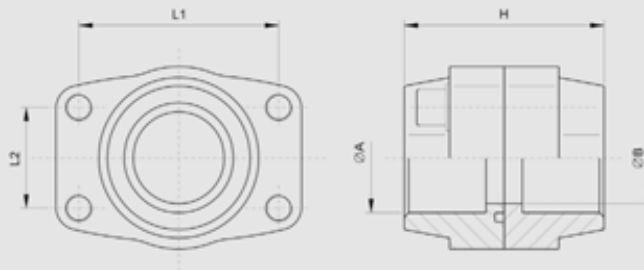
322

**CONTRABRIDA
PARA SOLDAR
6000 PSI**

*WELD IN COUNTER-
FLANGES 6000 PSI*

COD.	DN	R	ØA	ØB	L1	L2	PRES. (BAR)	
0640560080	1/2"	M8	5/16" UNC	21,6	13	40,49	18,24	414
0640560120	3/4"	M10	3/8" UNC	27,2	19	50,80	23,80	414
0640560160	1"	M12	7/16" UNC	34	25	57,15	27,76	414
0640560200	1"1/4	M14	1/2" UNC	42,8	32	66,68	31,75	414
0640560240	1"1/2	M16	5/8" UNC	48,6	38	79,38	36,50	414
0640560320	2"	M20	3/4" UNC	61	51	96,82	44,45	414
0640560400	2"1/2	M24	-	76,6	63	123,80	58,70	414

BRIDAS FLANGES



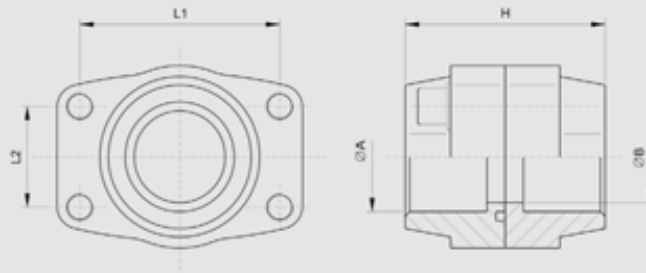
323

COD.	DN	ØA	ØB	L1	L2	H	PRES. (BAR)
0640000080	1/2"	21,6	13	38,10	17,48	72	345
0640000120	3/4"	27,2	19	47,63	22,23	72	345
0640000160	1"	34	25	52,37	26,19	76	345
0640000200	1"1/4	42,8	32	58,72	30,18	82	276
0640000240	1"1/2	48,6	38	69,85	35,71	90	207
0640000320	2"	61	51	77,77	42,88	90	207
0640000400	2"1/2	76,6	63	88,90	50,80	100	172
0640000480	3"	90,5	73	106,38	61,93	100	138
0640000560	3"1/2	103	89	120,65	69,85	96	34
0640000640	4"	115,5	99	130,18	77,77	96	34

**BRIDA + CONTRA-
BRIDA PARA SOL-
DAR 3000 PSI**

*WELD IN DOUBLE
FLANGES 3000 PSI*

BRIDAS FLANGES



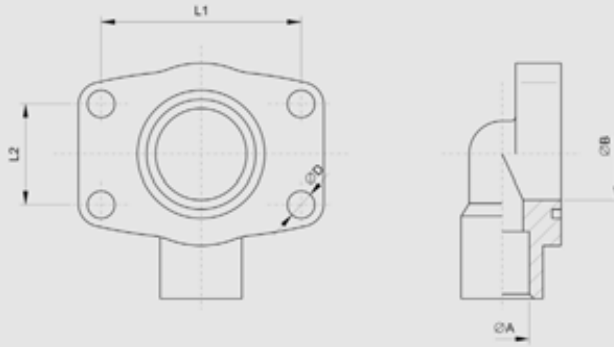
324

**BRIDA + CONTRA-
BRIDA PARA SOL-
DAR 6000 PSI**

*WELD IN DOUBLE
FLANGES 6000 PSI*

COD.	DN	ØA	ØB	L1	L2	H	PRES. (BAR)
0640010080	1/2"	21,6	13	40,49	18,24	72	414
0640010120	3/4"	27,2	19	50,80	23,80	70	414
0640010160	1"	34	25	57,15	27,76	84	414
0640010200	1"1/4	42,8	32	66,68	31,75	90	414
0640010240	1"1/2	48,6	38	79,38	36,50	100	414
0640010320	2"	61	51	96,82	44,45	130	414

BRIDAS FLANGES



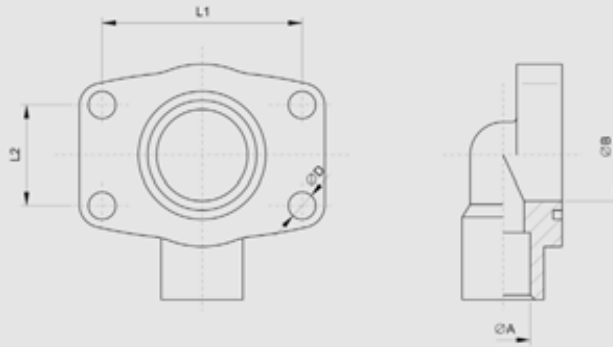
325

COD.	DN	ØD	ØA	ØB	L1	L2	PRES. (BAR)
0640360080	1/2"	9	21,6	13	38,10	17,48	345
0640360120	3/4"	11	27,2	19	47,63	22,23	345
0640360160	1"	11	34	25	52,37	26,19	345
0640360200	1"1/4	11,5	42,8	32	58,72	30,18	276
0640360240	1"1/2	13,5	48,6	38	69,85	35,71	207
0640360320	2"	13,5	61	51	77,77	42,88	207

**BRIDA A 90° PARA
SOLDAR 3000 PSI**

**WELD IN 90° FLAN-
GES 3000 PSI**

BRIDAS FLANGES



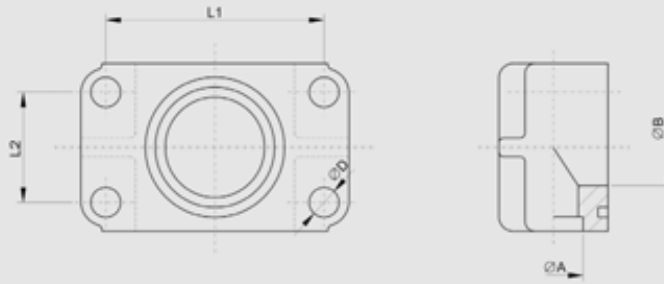
326

**BRIDA A 90° PARA
SOLDAR 6000 PSI**

*WELD IN 90° FLAN-
GES 6000 PSI*

COD.	DN	ØD	ØA	ØB	L1	L2	PRES. (BAR)
0640380080	1/2"	9	21,6	13	40,49	18,24	414
0640380120	3/4"	11	27,2	19	50,80	23,80	414
0640380160	1"	13	34	25	57,15	27,76	414
0640380200	1"1/4	15	42,8	32	66,68	31,75	414
0640380240	1"1/2	17,5	48,6	38	79,38	36,50	414

BRIDAS FLANGES



327

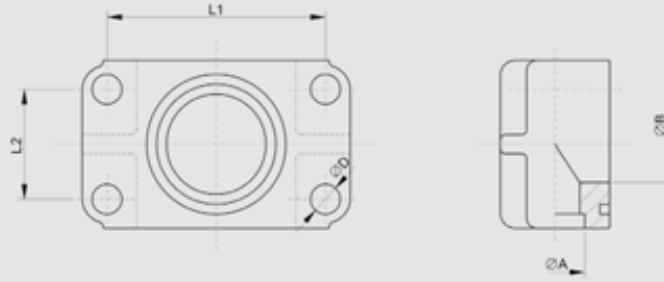


COD.	DN	ØD	ØA	ØB	L1	L2	PRES. (BAR)
0640350120	3/4"	11	27,2	19	47,63	22,23	345
0640350160	1"	11	34	25	52,37	26,19	345
0640350200	1"1/4	11,5	42,8	32	58,72	30,18	276
0640350240	1"1/2	13,5	48,6	38	69,85	35,71	207
0640350320	2"	13,5	61	51	77,77	42,88	207
0640350400	2"1/2	13,5	76,6	63	88,90	50,80	172

**BRIDA A 90° PARA
SOLDAR 3000 PSI**

*WELD IN 90° FLAN-
GES 3000 PSI*

BRIDAS FLANGES



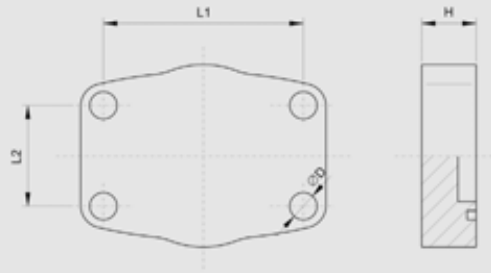
328

**BRIDA A 90° PARA
SOLDAR 6000 PSI**

*WELD IN 90° FLAN-
GES 6000 PSI*

COD.	DN	ØD	ØA	ØB	L1	L2	PRES. (BAR)
0640390120	3/4"	11	27,2	19	50,80	23,80	414
0640390160	1"	13	34	25	57,15	27,76	414
0640390200	1"1/4	15	42,8	32	66,68	31,75	414
0640390240	1"1/2	17	48,6	38	79,38	36,50	414
0640390320	2"	21	61	51	96,82	44,45	414

BRIDAS FLANGES



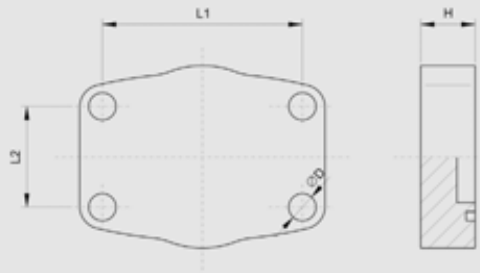
329

COD.	DN	ØD	L1	L2	H	PRES. (BAR)
0640450080	1/2"	9	38,10	17,48	16	345
0640450120	3/4"	11	47,63	22,23	16	345
0640450160	1"	11	52,37	26,19	19	345
0640450200	1"1/4	11,5	58,72	30,18	18	276
0640450240	1"1/2	13,5	69,85	35,71	20	207
0640450320	2"	13,5	77,77	42,88	20	207
0640450400	2"1/2	13,5	88,90	50,80	20	172
0640450480	3"	17,5	106,38	61,93	24	138
0640450560	3"1/2	17,5	120,65	69,85	22	34
0640450640	4"	17,5	130,18	77,77	25	34
0640450800	5"	17,5	152,40	92,08	28	34

**BRIDA CIEGA 3000
PSI**

*BLIND FLANGES
3000 PSI*

BRIDAS FLANGES



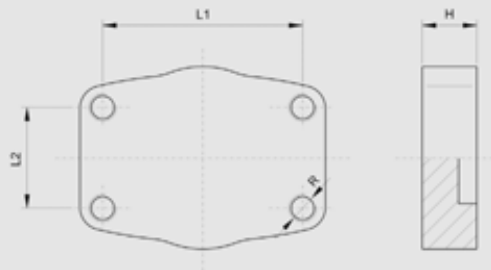
330

**BRIDA CIEGA 6000
PSI**

*BLIND FLANGES
6000 PSI*

COD.	DN	ØD	L1	L2	H	PRES. (BAR)
0640460080	1/2"	9	40,49	18,24	16	414
0640460120	3/4"	11	50,80	23,80	19	414
0640460160	1"	13	57,15	27,76	24	414
0640460200	1"1/4	15	66,68	31,75	27	414
0640460240	1"1/2	17	79,38	36,50	30	414
0640460320	2"	21	96,82	44,45	30	414

BRIDAS FLANGES



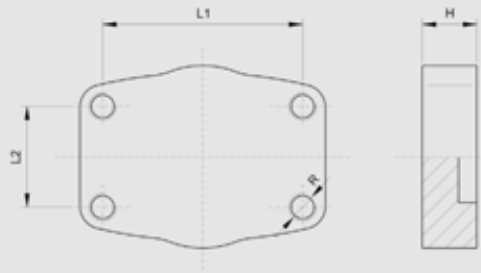
331

COD.	DN	R	L1	L2	H	PRES. (BAR)	
0640470080	1/2"	M8	5/16" UNC	38,10	17,48	16	345
0640470120	3/4"	M10	3/8" UNC	47,63	22,23	16	345
0640470160	1"	M10	3/8" UNC	52,37	26,19	19	345
0640470200	1"1/4	M10	7/16" UNC	58,72	30,18	18	276
0640470240	1"1/2	M12	1/2" UNC	69,85	35,71	20	207
0640470320	2"	M12	1/2" UNC	77,77	42,88	20	207
0640470400	2"1/2	M12	1/2" UNC	88,90	50,80	20	172
0640470480	3"	M16	5/8" UNC	106,38	61,93	24	138
0640470560	3"1/2	M16	5/8" UNC	120,65	69,85	22	34
0640470640	4"	M16	5/8" UNC	130,18	77,77	25	34
0640470800	5"	M16	5/8" UNC	152,40	92,08	28	34

**CONTRABRIDA
CIEGA 3000 PSI**

*BLIND COUNTER-
FLANGES 3000 PSI*

BRIDAS FLANGES



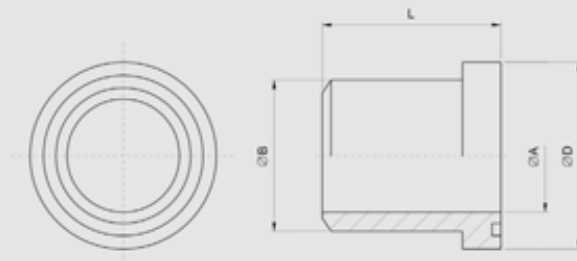
332

**CONTRABRIDA
CIEGA 6000 PSI**

*BLIND COUNTER-
FLANGES 6000 PSI*

COD.	DN	R		L1	L2	H	PRES. (BAR)
0640480080	1/2"	M8	5/16" UNC	40,49	18,24	16	414
0640480120	3/4"	M10	3/8" UNC	50,80	23,80	19	414
0640480160	1"	M12	7/16" UNC	57,15	27,76	24	414
0640480200	1"1/4	M14	1/2" UNC	66,68	31,75	27	414
0640480240	1"1/2	M16	5/8" UNC	79,38	36,50	30	414
0640480320	2"	M20	3/4" UNC	96,82	44,45	30	414

BRIDAS FLANGES



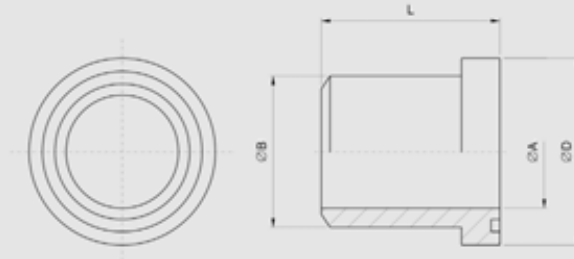
333

COD.	DN	ØD	ØA	ØB	L
0640140080	1/2"	30,2	12,7	22	30
0640140120	3/4"	38,1	19,1	28	35
0640140160	1"	44,5	25,4	35	40
0640140200	1"1/4	50,8	31,8	42	45
0640140240	1"1/2	60,3	38	50	50
0640140320	2"	71,4	48	62	60
0640140400	2"1/2	84,2	56	70	70
0640140480	3"	101,7	70	90	80

**MANGUITO SOLDAR
PASO INTEGRAL 3000
PSI (FORMA "A")**

**SAE ADAPTOR WEL-
DING-FLANGES FOR
SPLIT FLANGES
3000 PSI (FORM "A")**

BRIDAS FLANGES



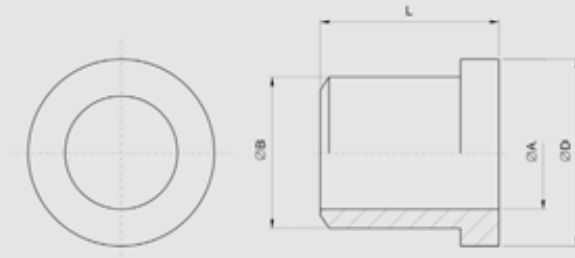
334

**MANGUITO SOLDAR
PASO INTEGRAL 6000
PSI (FORMA "A")**

**SAE ADAPTOR WEL-
DING-FLANGES FOR
SPLIT FLANGES
6000 PSI (FORM "A")**

COD.	DN	ØD	ØA	ØB	L
0640180080	1/2"	31,8	12,7	24	40
0640180120	3/4"	41,3	19	31,8	45
0640180160	1"	47,6	25,4	38	50
0640180200	1"1/4	54	31,8	42	55
0640180240	1"1/2	63,5	38	50	60
0640180320	2"	79,4	48	62	70

BRIDAS FLANGES



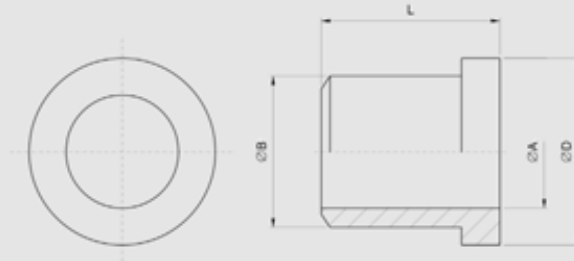
335

COD.	DN	ØD	ØA	ØB	L
0640160080	1/2"	30,2	12,7	22	30
0640160120	3/4"	38,1	19,1	28	35
0640160160	1"	44,5	25,4	35	40
0640160200	1"1/4	50,8	31,8	42	45
0640160240	1"1/2	60,3	38	50	50
0640160320	2"	71,4	48	62	60
0640160400	2"1/2	84,2	56	70	70
0640160480	3"	101,7	70	90	80

**MANGUITO SOLDAR
PASO INTEGRAL 3000
PSI (FORMA "B")**

**SAE ADAPTOR WEL-
DING-FLANGES FOR
SPLIT FLANGES
3000 PSI (FORM "B")**

BRIDAS FLANGES



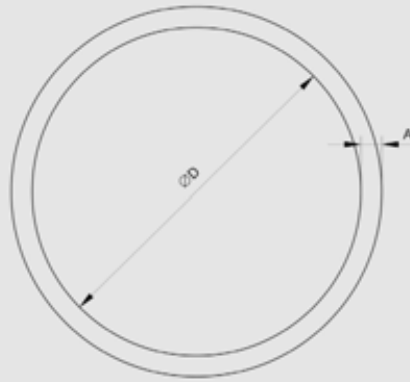
336

**MANGUITO SOLDAR
PASO INTEGRAL 6000
PSI (FORMA "B")**

**SAE ADAPTOR WEL-
DING-FLANGES FOR
SPLIT FLANGES
6000 PSI (FORM "B")**

COD.	DN	ØD	ØA	ØB	L
0640200080	1/2"	31,8	12,7	24	40
0640200120	3/4"	41,3	19	31,8	45
0640200160	1"	47,6	25,4	38	50
0640200200	1"1/4	54	31,8	42	55
0640200240	1"1/2	63,5	38	50	60
0640200320	2"	79,4	48	62	70

BRIDAS FLANGES



337



COD.	DN	ØD	A
0640220080	1/2"	18,64	3,53
0640220120	3/4"	24,99	3,53
0640220160	1"	32,92	3,53
0640220200	1"1/4	37,69	3,53
0640220240	1"1/2	47,22	3,53
0640220320	2"	56,75	3,53
0640220400	2"1/2	69,45	3,53
0640220480	3"	85,32	3,53
0640220560	3"1/2	98,02	3,53
0640220640	4"	110,72	3,53
0640220800	5"	136,12	3,53

**JUNTA TÓRICA 3000
– 6000 PSI**

*O-RINGS FOR FLAN-
GES (3000-6000 PSI)*

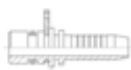


CONEXIONES WEO PLUG-IN

WEO PLUG-INPRODUCTS

CONEXIONES WEO PLUG-IN – WEO PLUG-IN PRODUCTS

CONEXIONES WEO PLUG-IN / PLUG-IN HOSE CONNECTIONS



p.343



p.343



p.344



p.345

ADAPTADORES WEO PLUG-IN MACHO-HEMBRA / MALE-FEMALE WEO PLUG-IN ADAPTORS



p.344



p.346



p.346



p.347

TAPONES WEO PLUG-IN / WEO PLUG-IN PLUGS



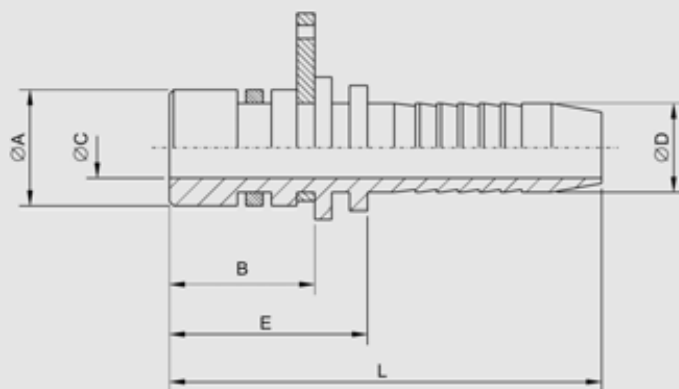
p.345

PASATABIQUES WEO PLUG-IN / WEO PLUG-IN BULKHEADS



p.347

CONEXIONES WEO PLUG IN WEO PLUG IN PRODUCTS

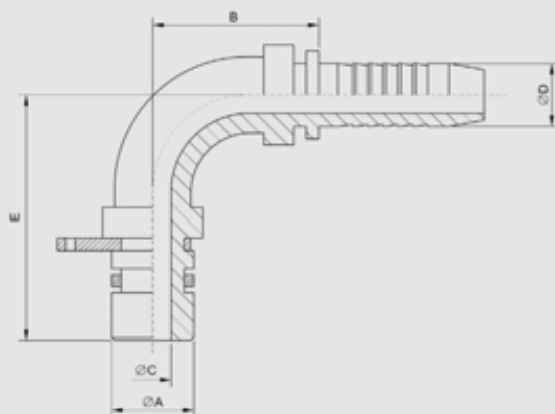


343

COD.	P. BAR	ØD	ØA	ØC	B	E	L
0450620010	350	1/4"	10	4,5	19	30	58
0450620040	350	3/8"	13	7	22	33	63
0450620060	350	1/2"	16	9,5	22	33	64
0450620090	350	3/4"	23	15	31	43	82
0450620100	250	1"	30	21	38,5	54	100,5

**MACHO-ESPIGA
RECTA WEO PLUG-IN**

*PLUG-IN NIPPLE
WITH STRAIGHT
HOSE*

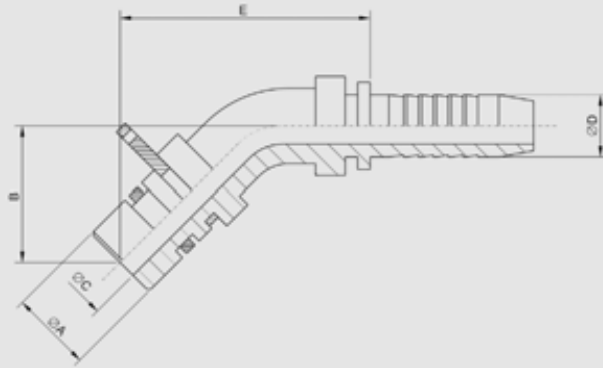


COD.	P. BAR	ØD	ØA	ØC	B	E
0450620230	350	1/4"	10	4,5	34	51
0450620260	350	3/8"	13	7	39	60
0450620280	350	1/2"	16	9	48	69
0450620310	350	3/4"	23	14,5	75	104,5

**MACHO-ESPIGA 90°
WEO PLUG-IN**

*PLUG-IN NIPPLE
WITH 90° HOSE
CONNECTION*

CONEXIONES WEO PLUG IN WEO PLUG IN PRODUCTS

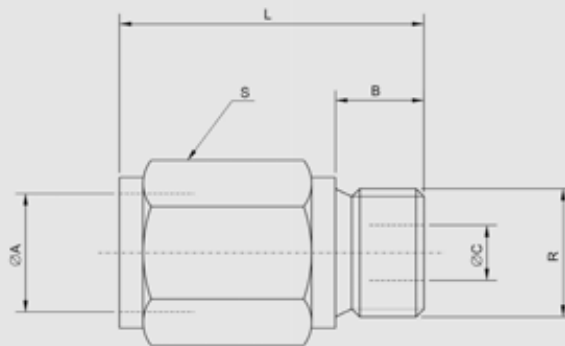


344

**MACHO-ESPIGA 45°
WEO PLUG-IN**

*PLUG-IN NIPPLE
WITH 45° HOSE
CONNECTION*

COD.	P. BAR	ØD	ØA	ØC	B	E
0450620130	350	1/4"	10	4,5	28	51
0450620160	350	3/8"	13	7	33	59
0450620180	350	1/2"	16	9	36	66
0450620210	350	3/4"	23	14,5	55	103

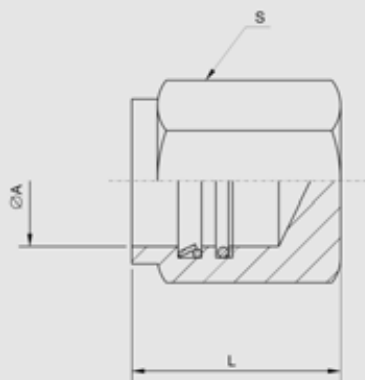


**HEMBRA ROSCA G
WEO PLUG-IN**

*PLUG-IN COUPLING
WITH EXTERNAL G-
THREAD (ISO 228/1)*

COD.	P. BAR	R	ØA	ØC	B	L	S
0450620550	350	1/4" BSP	10	4,5	12	38	19
0450620560	350	3/8" BSP	13	7	12	41	22
0450620570	350	1/2" BSP	16	9,5	14	43	27
0450620580	350	3/4" BSP	23	15	16	56	34
0450620590	250	1" BSP	30	21	18	69	41

CONEXIONES WEO PLUG IN WEO PLUG IN PRODUCTS

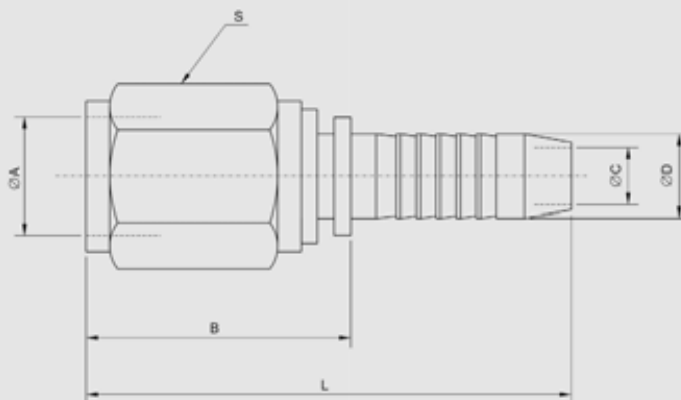


345

COD.	P. BAR	ØA	L	S
0450620600	350	10	29	19
0450620610	350	13	31	22
0450620620	350	16	32	27
0450620630	350	23	44	32
0450620640	250	30	55	41

**TAPÓN HEMBRA
WEO PLUG-IN**

*PLUG-IN STOP
COUPLING*

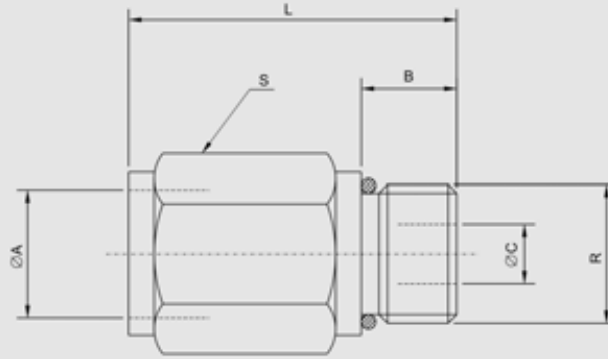


COD.	P. BAR	ØD	ØA	ØC	B	L	S
0450620740	350	1/4"	10	4,5	34	62	19
0450620750	350	3/8"	13	7	36	66	22
0450620760	350	1/2"	16	9,5	36	67	27
0450620770	350	3/4"	23	15	48	87	32
0450620780	250	1"	30	21	58,5	105	41

**ADAPTADOR RECTO
WEO PLUG-IN**

*PLUG-IN COUPLING
WITH STRAIGHT
CONNECTION*

CONEXIONES WEO PLUG IN WEO PLUG IN PRODUCTS

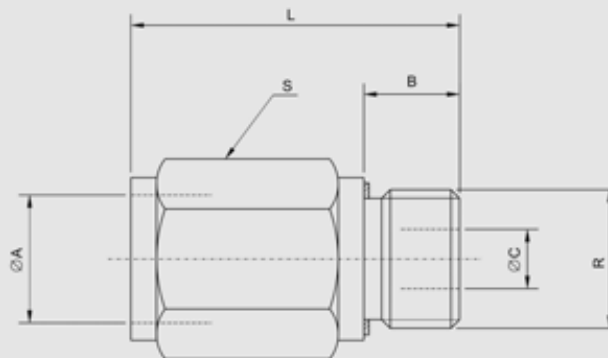


346

**ADAPTADOR
RECTO UNF CON
JUNTA TÓRICA
WEO PLUG-IN**

*PLUG-IN COUPLING
SAE J514 O-RING
BOSS*

COD.	P. BAR	R	ØA	ØC	B	L	S
0450621100	350	7/16"-20	10	4,5	9	35	19
0450621110	350	9/16"-18	13	7	10	39	22
0450621120	350	3/4"-16	16	9,5	11	40	27
0450621130	350	7/8"-14	16	12,7	12,6	41,6	27
0450621140	350	1"1/16-12	23	15	15	55	32
0450621150	250	1"5/16-12	30	21	15	64	41

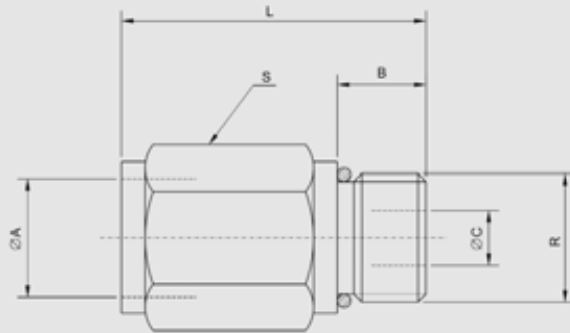


**ADAPTADOR
RECTO BSP CON
JUNTA PLANA WEO
PLUG-IN**

*PLUG-IN COUPLING
WITH EXTERNAL G-
THREAD WITH INTE-
GRAL RUBBER SEAL*

COD.	P. BAR	R	ØA	ØC	B	L	S
0450621450	350	1/4" BSP	10	4,5	12	38	19
0450621460	350	3/8" BSP	13	7	12	41	22
0450621470	350	1/2" BSP	16	9,5	14	43	27
0450621480	350	3/4" BSP	23	15	16	56	34
0450621490	250	1" BSP	30	21	18	69	41

CONEXIONES WEO PLUG IN WEO PLUG IN PRODUCTS

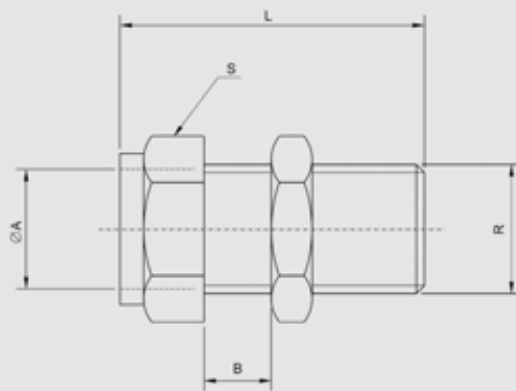


347

**ADAPTADOR
RECTO MÉTRICO
CON JUNTA TÓRICA
WEO PLUG-IN**

*PLUG-IN COUPLING
WITH EXTERNAL
METRIC THREAD
(ISO 6149-3)*

COD.	P. BAR	R	ØA	ØC	B	L	S
0450621550	350	M12x1,5	13	6	11	40	24
0450621560	315	M16x1,5	13	7,5	11,5	40,5	24
0450621570	315	M18x1,5	16	9,5	12,5	41,5	27
0450621580	315	M22x1,5	23	14	13	53	32
0450621590	200	M27x2	23	15	16	56	32



**ADAPTADOR PASA-
TABIQUE WEO
PLUG-IN**

*PLUG-IN BULKHEAD
COUPLING*

COD.	P. BAR	R	ØA	B	L	S
0450621690	350	M21,5x1,5	10	0-18	42	25
0450621700	350	M26x1,5	13	0-25	49	30
0450621710	350	M27X1,5	16	0-28	49	32



CONEXIONES REUSABLES

REUSABLE FITTINGS

CONEXIONES REUSABLES – REUSABLE FITTINGS

CASQUILLOS PARA PRENSAR REUSABLES / REUSABLE SWAGED FERRULES



CR-1T
p.353



CR-2T
p.354

CONEXIONES REUSABLES BSP / BSP REUSABLE FITTINGS



MR-002
p.355



HR-004
p.356



HR-007
p.357



HR-010
p.358

CONEXIONES REUSABLES MÉTRICAS / METRIC REUSABLE FITTINGS



ER-024
p.359

CONEXIONES REUSABLES JIC / JIC REUSABLE FITTINGS



MR-069
p.360



HR-071
p.361

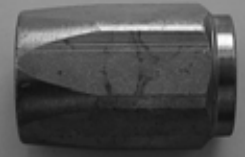
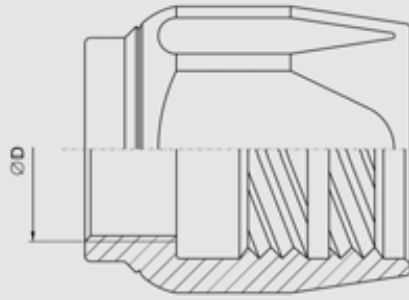


HR-074
p.362



HR-078
p.363

CONEXIONES REUSABLES REUSABLE FITTINGS



CR-1T

353

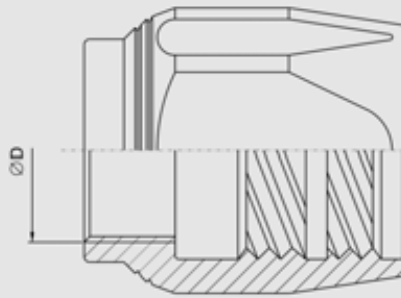


COD.	DN	ØD
0460000230	6	1/4"
0460000240	8	5/16"
0460000250	10	3/8"
0460000260	13	1/2"
0460000270	16	5/8"
0460000280	20	3/4"
0460000290	25	1"
0460000300	32	1"1/4"

**CASQUILLO
REUSABLE PARA
TUBO 1 SN**

*REUSABLE FERRU-
LE FOR 1SN HOSE*

CONEXIONES REUSABLES REUSABLE FITTINGS



354

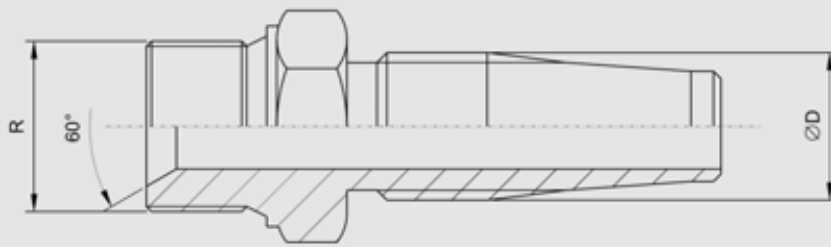
CR-2T

**CASQUILLO
REUSABLE PARA
TUBO 2 SN**

*REUSABLE FERRU-
LE FOR 2SN HOSE*

COD.	DN	ØD
0460000340	6	1/4"
0460000350	8	5/16"
0460000360	10	3/8"
0460000370	13	1/2"
0460000380	16	5/8"
0460000390	20	3/4"
0460000400	25	1"
0460000410	32	1 1/4"

CONEXIONES REUSABLES REUSABLE FITTINGS



MR-002

355

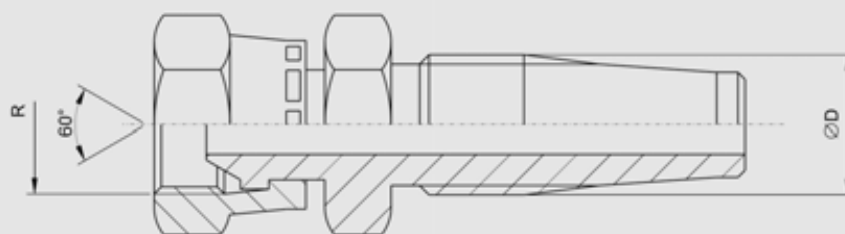


COD.	DN	ØD	R
0460020040	6	1/4"	1/8"-28
0460020060	6	1/4"	1/4"-19
0460020080	6	1/4"	3/8"-19
0460020140	8	5/16"	3/8"-19
0460020180	10	3/8"	3/8"-19
0460020240	10	3/8"	1/2"-14
0460020300	13	1/2"	1/2"-14
0460020320	13	1/2"	5/8"-14
0460020380	16	5/8"	5/8"-14
0460020390	16	5/8"	3/4"-14
0460020460	20	3/4"	3/4"-14
0460020500	20	3/4"	1"-11
0460020540	25	1"	1"-11
0460020580	25	1"	1"1/4-11
0460020620	32	1"1/4	1"1/4-11

**MACHO GAS
CILÍNDRICO BSP
CONO 60°**

*BSP MALE
PARALLEL 60°
CONE SEAT*

CONEXIONES REUSABLES REUSABLE FITTINGS



356

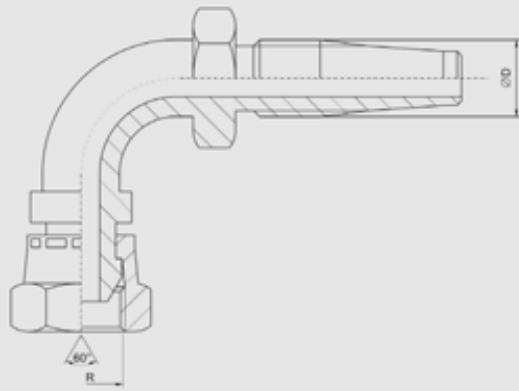
HR-004

**HEMBRA GIRATO-
RIA BSP CONO 60°**

*BSP FEMALE 60°
CONE*

COD.	DN	ØD	R
0460040040	6	1/4"	1/8"-28
0460040060	6	1/4"	1/4"-19
0460040080	6	1/4"	3/8"-19
0460040140	8	5/16"	3/8"-19
0460040180	10	3/8"	3/8"-19
0460040240	10	3/8"	1/2"-14
0460040300	13	1/2"	1/2"-14
0460040320	13	1/2"	5/8"-14
0460040380	16	5/8"	5/8"-14
0460040390	16	5/8"	3/4"-14
0460040460	20	3/4"	3/4"-14
0460040500	20	3/4"	1"-11
0460040540	25	1"	1"-11
0460040620	32	1"1/4	1"1/4-11

CONEXIONES REUSABLES REUSABLE FITTINGS



HR-007

357

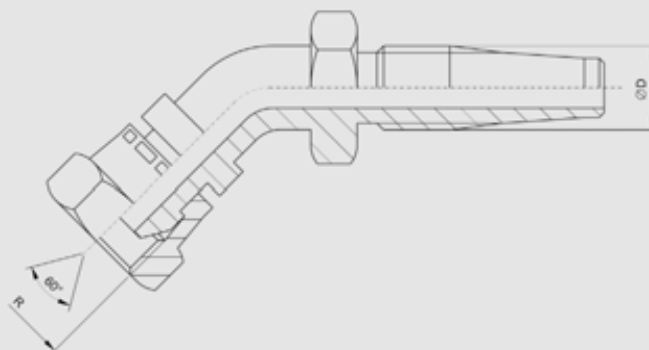


COD.	DN	ØD	R
0460070040	6	1/4"	1/8"-28
0460070060	6	1/4"	1/4"-19
0460070080	6	1/4"	3/8"-19
0460070140	8	5/16"	3/8"-19
0460070180	10	3/8"	3/8"-19
0460070240	10	3/8"	1/2"-14
0460070300	13	1/2"	1/2"-14
0460070320	13	1/2"	5/8"-14
0460070380	16	5/8"	5/8"-14
0460070390	16	5/8"	3/4"-14
0460070460	20	3/4"	3/4"-14
0460070500	20	3/4"	1"-11
0460070540	25	1"	1"-11

**HEMBRA GIRATO-
RIA BSP A 90°
CONO 60°**

*90° BSP SWEPT
ELBOW 60° CONE*

CONEXIONES REUSABLES REUSABLE FITTINGS



358

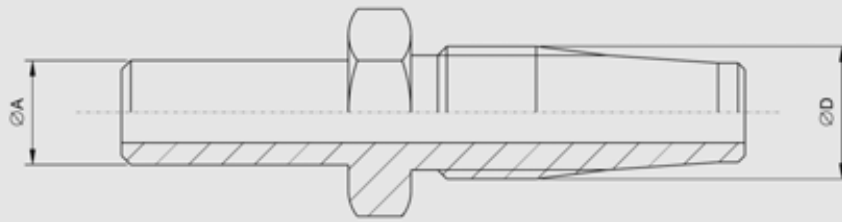
HR-010

**HEMBRA
GIRATORIA BSP
A 45° CONO 60°**

*45° BSP SWEPT
ELBOW 60° CONE*

COD.	DN	ØD	R
0460100040	6	1/4"	1/8"-28
0460100060	6	1/4"	1/4"-19
0460100080	6	1/4"	3/8"-19
0460100140	8	5/16"	3/8"-19
0460100180	10	3/8"	3/8"-19
0460100240	10	3/8"	1/2"-14
0460100300	13	1/2"	1/2"-14
0460100320	13	1/2"	5/8"-14
0460100380	16	5/8"	5/8"-14
0460100390	16	5/8"	3/4"-14
0460100460	20	3/4"	3/4"-14
0460100500	20	3/4"	1"-11
0460100540	25	1"	1"-11

CONEXIONES REUSABLES REUSABLE FITTINGS



ER-024

359

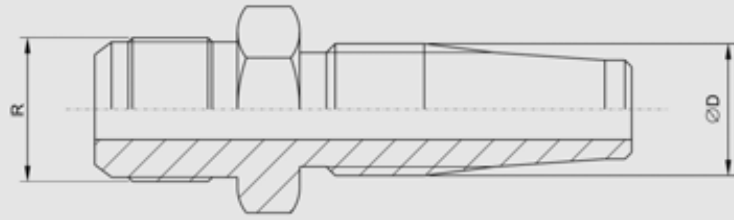


COD.	DN	ØD	ØA
0460240060	6	1/4"	6
0460240070	6	1/4"	8
0460240090	6	1/4"	10
0460240130	8	5/16"	10
0460240150	8	5/16"	12
0460240190	10	3/8"	10
0460240200	10	3/8"	12
0460240210	10	3/8"	14
0460240230	10	3/8"	15
0460240270	13	1/2"	14
0460240290	13	1/2"	15
0460240310	13	1/2"	16
0460240360	13	1/2"	18
0460240390	16	5/8"	18
0460240410	16	5/8"	20
0460240460	20	3/4"	20
0460240480	20	3/4"	22
0460240510	20	3/4"	25
0460240560	25	1"	25
0460240590	25	1"	28
0460240600	25	1"	30
0460240630	32	1 1/4"	35
0460240680	32	1 1/4"	38

**ESPIGA LISA
MÉTRICA RECTA**

**METRIC STRAIGHT
STANDPIPE**

CONEXIONES REUSABLES REUSABLE FITTINGS



360

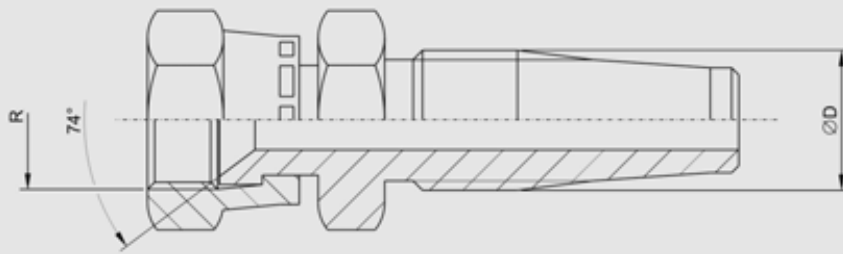
MR-069

**MACHO JIC CONO
74°**

**JIC MALE 74°
CONE**

COD.	DN	ØD	R
0460690030	6	1/4"	7/16"-20
0460690050	6	1/4"	1/2"-20
0460690070	6	1/4"	9/16"-18
0460690120	8	5/16"	9/16"-18
0460690190	10	3/8"	9/16"-18
0460690220	10	3/8"	3/4"-16
0460690280	13	1/2"	3/4"-16
0460690310	13	1/2"	7/8"-14
0460690370	16	5/8"	7/8"-14
0460690400	16	5/8"	1"1/16-12
0460690470	20	3/4"	1"1/16-12
0460690540	25	1"	1"5/16-12
0460690570	25	1"	1"5/8-12
0460690610	32	1"1/4	1"5/8-12

CONEXIONES REUSABLES REUSABLE FITTINGS



HR-071

361

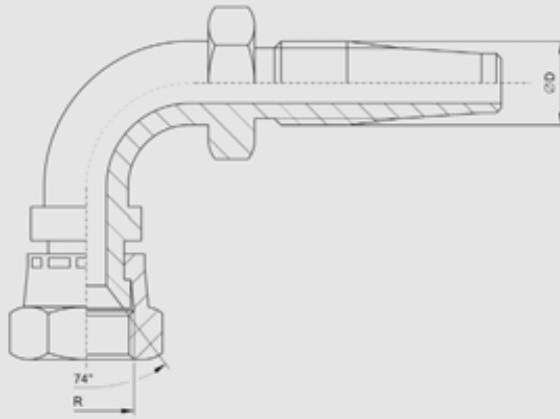


COD.	DN	ØD	R
0460710030	6	1/4"	7/16"-20
0460710050	6	1/4"	1/2"-20
0460710070	6	1/4"	9/16"-18
0460710120	8	5/16"	9/16"-18
0460710190	10	3/8"	9/16"-18
0460710220	10	3/8"	3/4"-16
0460710280	13	1/2"	3/4"-16
0460710310	13	1/2"	7/8"-14
0460710370	16	5/8"	7/8"-14
0460710400	16	5/8"	1"1/16-12
0460710470	20	3/4"	1"1/16-12
0460710540	25	1"	1"5/16-12

**HEMBRA GIRATO-
RIA JIC CONO 74°**

*JIC FEMALE 74°
CONE SEAT*

CONEXIONES REUSABLES REUSABLE FITTINGS



362

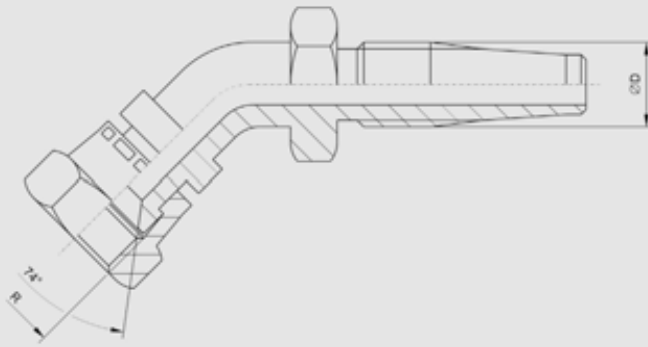
HR-074

**HEMBRA GIRATORIA
JIC A 90° CONO 74°**

*90° JIC SWEPT
ELBOW 74° CONE*

COD.	DN	ØD	R
0460740030	6	1/4"	7/16"-20
0460740050	6	1/4"	1/2"-20
0460740070	6	1/4"	9/16"-18
0460740120	8	5/16"	9/16"-18
0460740190	10	3/8"	9/16"-18
0460740220	10	3/8"	3/4"-16
0460740280	13	1/2"	3/4"-16
0460740310	13	1/2"	7/8"-14
0460740370	16	5/8"	7/8"-14
0460740400	16	5/8"	1"1/16-12
0460740470	20	3/4"	1"1/16-12
0460740540	25	1"	1"5/16-12

CONEXIONES REUSABLES REUSABLE FITTINGS



HR-078

363



COD.	DN	ØD	R
0460780030	6	1/4"	7/16"-20
0460780050	6	1/4"	1/2"-20
0460780070	6	1/4"	9/16"-18
0460780120	8	5/16"	9/16"-18
0460780190	10	3/8"	9/16"-18
0460780220	10	3/8"	3/4"-16
0460780280	13	1/2"	3/4"-16
0460780310	13	1/2"	7/8"-14
0460780370	16	5/8"	7/8"-14
0460780400	16	5/8"	1"1/16-12
0460780470	20	3/4"	1"1/16-12
0460780540	25	1"	1"5/16-12

**HEMBRA GIRATORIA
JIC A 45° CONO 74°**

**45° JIC SWEPT
ELBOW 74° CONE**



CONEXIONES DE BAJA PRESIÓN

LOW PRESSURE FITTINGS

CONEXIONES DE BAJA PRESIÓN – LOW PRESSURE FITTINGS



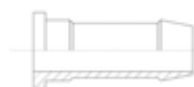
p.369



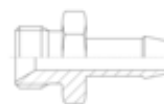
p.370



p.370



p.371



p.371



p.372



p.372



p.373

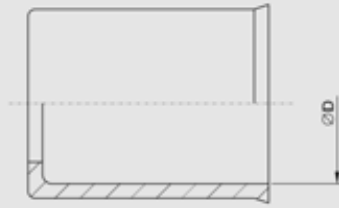


p.374



p.375

CONEXIONES DE BAJA PRESION LOW PRESSURE FITTINGS



369

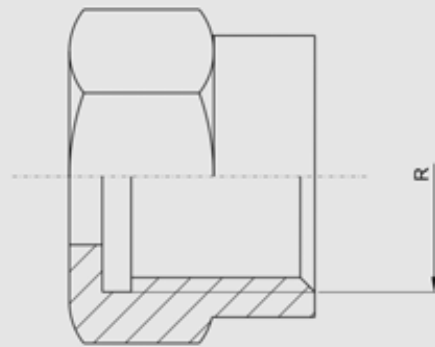


COD.	ØD
0370300100	10
0370300110	11
0370300120	12
0370300130	13
0370300140	14
0370300150	15
0370300160	16
0370300180	18
0370300200	20
0370300220	22
0370300240	24
0370300260	26
0370300280	28
0370300300	30
0370300330	33
0370300360	36
0370300380	38

**CASQUILLO DE
APRIETE**

SWAGED FERRULE

CONEXIONES DE BAJA PRESION LOW PRESSURE FITTINGS

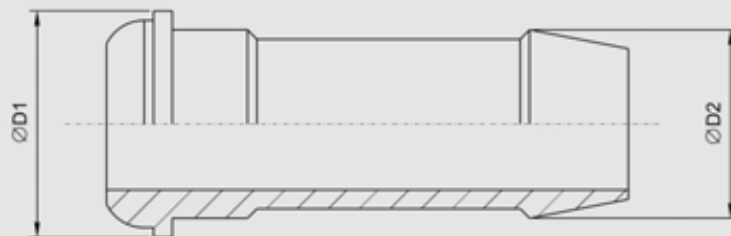


370

**TUERCA ROSCA
GAS BSP**

BSP NUT

COD.	R
0370700020	1/8"
0370700040	1/4"
0370700060	3/8"
0370700080	1/2"
0370700120	3/4"
0370700160	1"

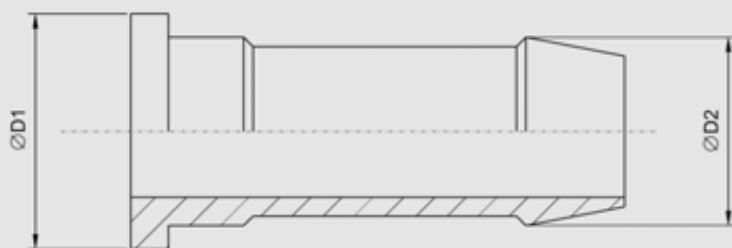


**ESPIGA DE CIERRE
CÓNICO**

*STANDPIPE
CONICAL PIPE*

COD.	ØD1	ØD2
0370100020	1/8"	7
0370100040	1/4"	9
0370100060	3/8"	11
0370100080	1/2"	15
0370100120	3/4"	20
0370100160	1"	25

CONEXIONES DE BAJA PRESION LOW PRESSURE FITTINGS

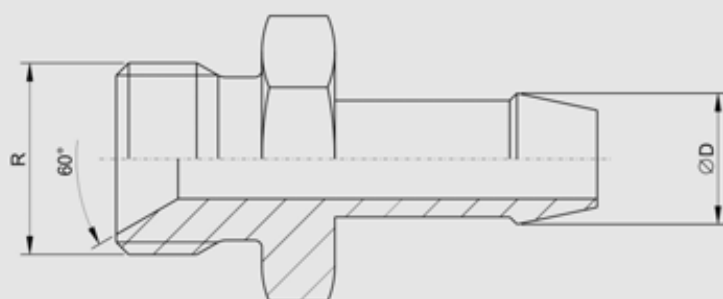


371

COD.	ØD1	ØD2
0370150020	1/8"	7
0370150040	1/4"	9
0370150060	3/8"	11
0370150080	1/2"	15
0370150120	3/4"	20
0370150160	1"	25

**ESPIGA DE CIERRE
PLANO**

*STANDPIPE FLAT
SEAT*

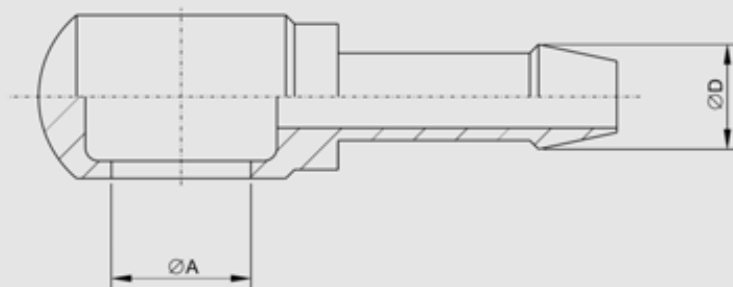


COD.	R	ØD
0370000040	1/4"	9
0370000060	3/8"	11
0370000080	1/2"	15
0370000120	3/4"	20
0370000160	1"	25

**MACHO CILÍNDRICO
BSP CONO 60°**

*BSP MALE PARA-
LLEL 60° CONE SEAT*

CONEXIONES DE BAJA PRESION LOW PRESSURE FITTINGS

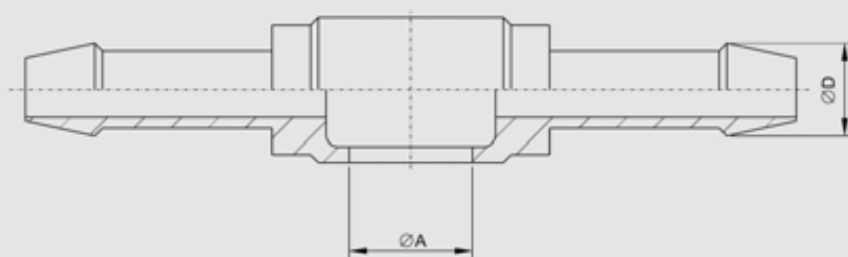


372

**ÉSFÉRICO
MÉTRICO**

METRIC BANJO

COD.	ØD	ØA
0370200080	7	8
0370200100	7	10
0370200120	9	12
0370200140	9	14
0370200160	9	16
0370200180	12	18
0370200200	15	22
0370200220	15	26

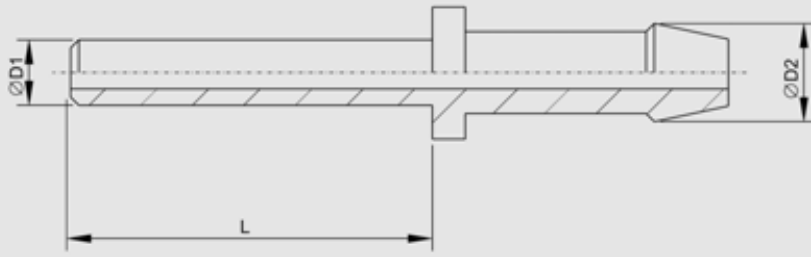


**ESFÉRICO
MÉTRICO DOBLE**

*METRIC DOUBLE
BANJO*

COD.	ØD1	ØD2
0370210080	5	8
0370210100	5	10
0370210110	7	10

CONEXIONES DE BAJA PRESION LOW PRESSURE FITTINGS



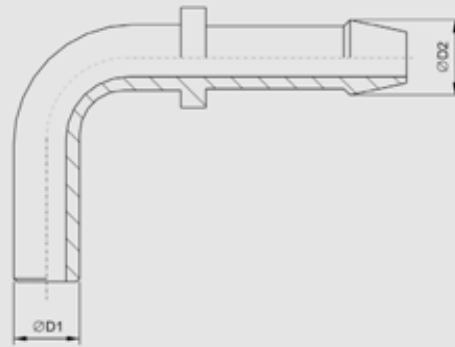
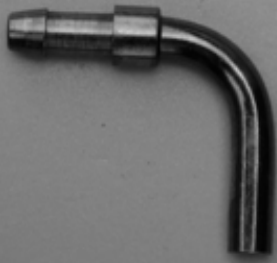
373

COD.	ØD1	ØD2	L
0370250040	4	5,5	30
0370250060	6	6,5	30
0370250080	8	9	30
0370250100	10	11	30
0370250120	12	13	30
0370250150	15	16	30
0370250180	18	19	30
0370250220	22	22	30

ESPIGA LISA

**METRIC STANDPIPE
STRAIGHT**

CONEXIONES DE BAJA PRESION LOW PRESSURE FITTINGS



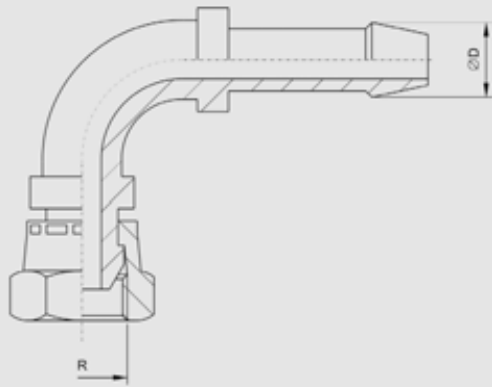
374

ESPIGA LISA A 90°

*90° METRIC
STANDPIPE*

COD.	ØD1	ØD2
0370260040	4	5,5
0370260060	6	6,5
0370260080	8	9
0370260100	10	11
0370260120	12	13
0370260150	15	16
0370260180	18	19
0370260220	22	22

CONEXIONES DE BAJA PRESION LOW PRESSURE FITTINGS



375



COD.	R	ØD
0370270020	1/8"	7
0370270040	1/4"	9
0370270060	3/8"	11
0370270080	1/2"	15
0370270120	3/4"	20
0370270160	1"	25

**ESPIGA GIRATORIA
A 90° CONO 60°**

*90° SWEPT ELBOW
60° CONE SEAT*



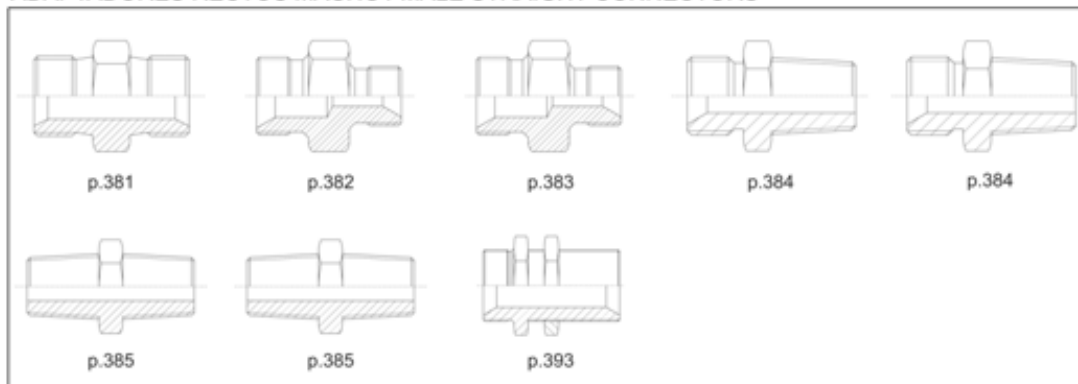
METALAL

ADAPTADORES

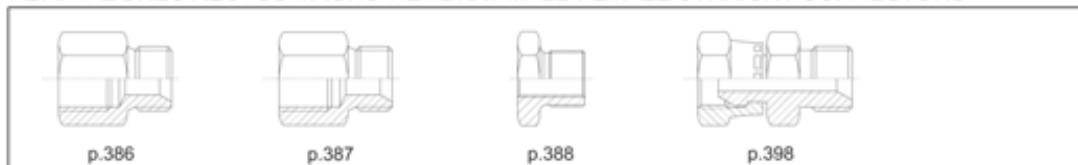
ADAPTORS

ADAPTADORES – ADAPTORS

ADAPTADORES RECTOS MACHO / MALE STRAIGHT CONNECTORS



ADAPTADORES RECTOS MACHO-HEMBRA / MALE-FEMALE STRAIGHT CONNECTORS



ADAPTADORES RECTOS HEMBRA / FEMALE STRAIGHT CONNECTORS



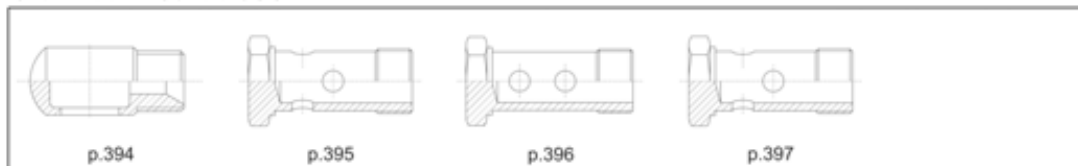
TAPONES / PLUGS



ADAPTADORES SOLDABLES / WELDABLE ADAPTORS



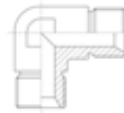
ORIENTABLES / BANJOS



ADAPTADORES EN CODO A 90° / 90° ELBOW ADAPTORS



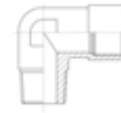
p.402



p.403



p.404



p.404



p.405



p.405



p.406

ADAPTADORES EN CODO A 45° / 45° ELBOW ADAPTORS



p.406

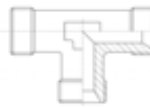


p.407

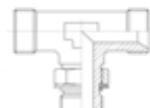


p.407

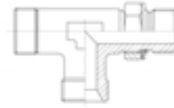
ADAPTADORES EN TE / TEE ADAPTORS



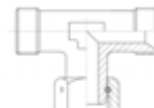
p.408



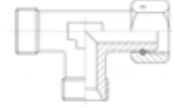
p.408



p.409



p.409



p.410



p.410

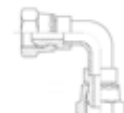


p.411

CODOS ACCESORIALES / ACCESORIAL ELBOWS



p.411



p.412

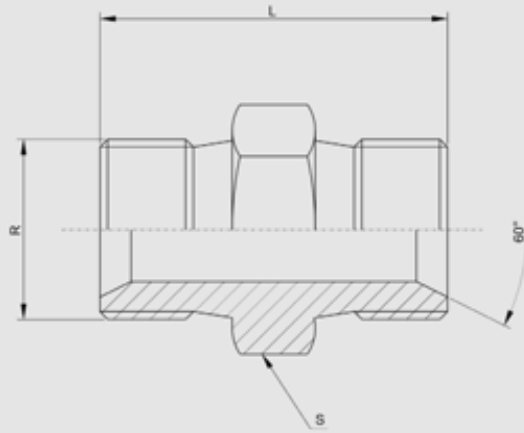


p.412



p.413

ADAPTADORES ADAPTORS



381

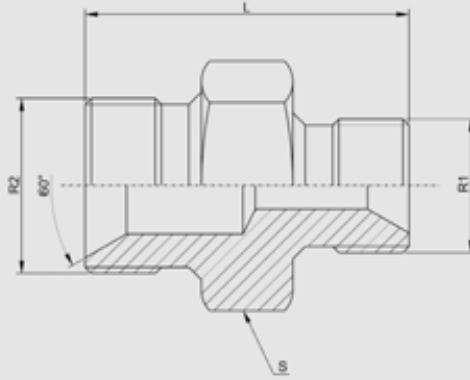


COD.	R	L	S
0130500020	1/8"	25	14
0130500040	1/4"	29	19
0130500060	3/8"	34	22
0130500080	1/2"	37,5	27
0130500100	5/8"	42	30
0130500120	3/4"	42	32
0130500160	1"	51	41
0130500200	1"1/4	57	50
0130500240	1"1/2	60	55
0130500250	2"	71	70
0130500270	2"1/2	65	85

**ADAPTADOR
DOBLE MACHO
(BSP)**

UNION (BSP)

ADAPTADORES ADAPTORS



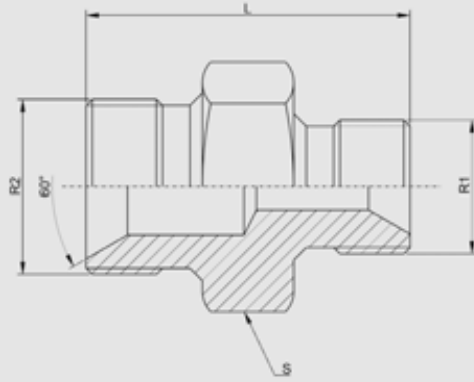
382

**REDUCCIÓN
MACHO-MACHO
(BSP – BSP)**

**REDUCING NIPPLE
(BSP – BSP)**

COD.	R1	R2	L	S
0130550010	1/8"	1/4"	27,5	19
0130550020	1/8"	3/8"	29,5	22
0130550080	1/4"	3/8"	32	22
0130550090	1/4"	1/2"	34,5	27
0130550240	3/8"	1/2"	35,5	27
0130550250	3/8"	3/4"	38	32
0130550320	1/2"	5/8"	40	30
0130550340	1/2"	3/4"	40	32
0130550350	1/2"	1"	47	41
0130550390	5/8"	3/4"	43	32
0130550400	5/8"	1"	45	41
0130550440	3/4"	1/4"	38	32
0130550500	3/4"	1"	49	41
0130550510	3/4"	1"1/4"	53	50
0130550540	1"	3/8"	44,5	41
0130550580	1"	1"1/4"	55	50
0130550590	1"	1"1/2"	56	55
0130550660	1"1/4"	1"1/2"	58	55
0130550670	1"1/4"	2"	65,5	70
0130550750	2"	1"1/2"	67,5	70
0130550800	2"1/2"	2"	69,5	80

ADAPTADORES ADAPTORS



383

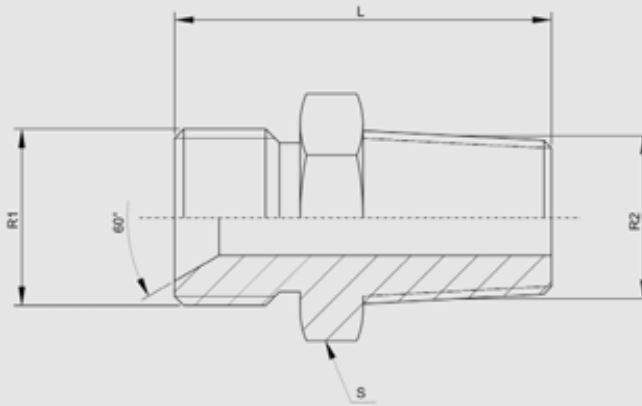


COD.	R1	R2	L	S
0130540100	1/4"	M-12x1,5	29	19
0130540110	1/4"	M-14x1,5	30	19
0130540200	3/8"	M-14x1,5	33	22
0130540210	3/8"	M-16x1,5	35	22
0130540300	1/2"	M-14x1,5	35,5	27
0130540310	1/2"	M-16X1,5	37,5	27
0130540320	1/2"	M-18x1,5	36,5	27
0130540400	3/4"	M-18x1,5	42	32
0130540420	3/4"	M-22x1,5	42	32
0130540440	3/4"	M-26x1,5	43	32
0130540500	1"	M-26x1,5	42,5	41

**ADAPTADOR
MACHO-MACHO
BSP-MÉTRICO 60°**

*MALE STUD CON-
NECTOR (BSP -
METRIC 60°)*

ADAPTADORES ADAPTORS

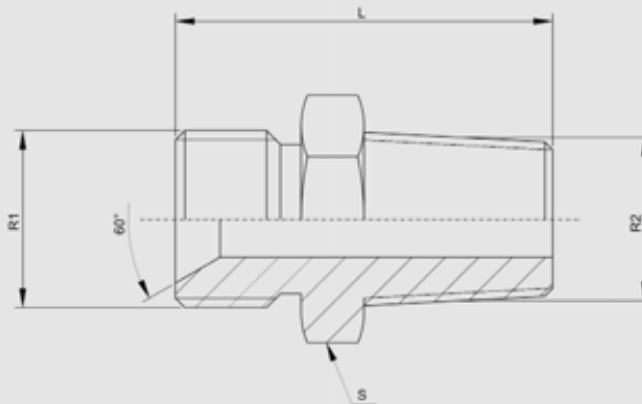


384

**ADAPTADOR
MACHO-MACHO
CÓNICO(BSP – BSPT)**

*MALE STUD CON-
NECTOR (BSP-BSPT)*

COD.	R1	R2	L	S
0130510020	1/8"	1/8"	26,5	12
0130510040	1/4"	1/4"	32	17
0130510060	3/8"	3/8"	35,5	22
0130510080	1/2"	1/2"	42,5	24
0130510120	3/4"	3/4"	46	32
0130510160	1"	1"	55	36
0130510200	1"1/4	1"1/4	60	50
0130510240	1"1/2	1"1/2	61,5	50
0130510320	2"	2"	68	65

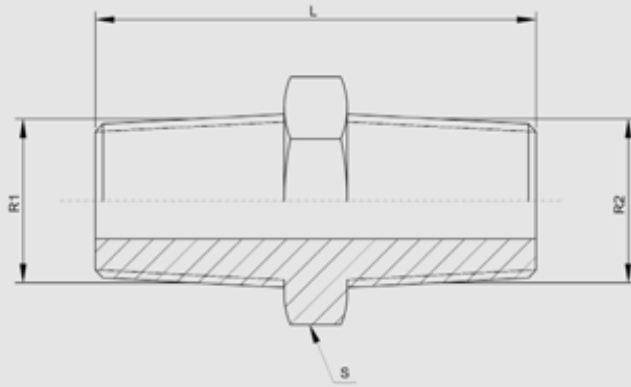


**ADAPTADOR
MACHO-MACHO
(BSP – NPT)**

*MALE STUD CON-
NECTOR (BSP –
NPT)*

COD.	R1	R2	L	S
0130530020	1/8"	1/8"	27,5	12
0130530040	1/4"	1/4"	32	15
0130530060	3/8"	3/8"	32,5	17
0130530080	1/2"	1/2"	44	27
0130530120	3/4"	3/4"	45	27
0130530160	1"	1"	55	36
0130530200	1"1/4	1"1/4	58	45
0130530240	1"1/2	1"1/2	60,5	50
0130530320	2"	2"	68,2	65

ADAPTADORES ADAPTORS

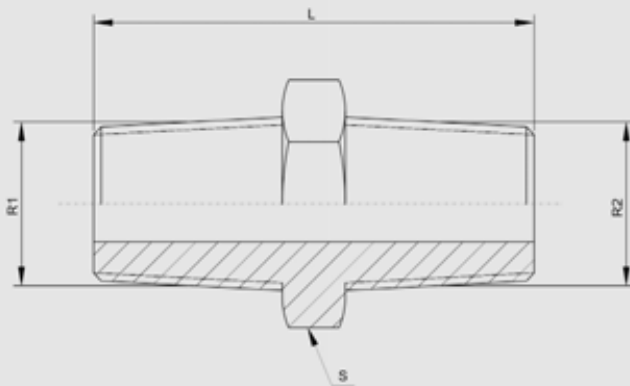


385

**ADAPTADOR
MACHO-MACHO
(BSPT-BSPT)**

*MALE NIPPLE (BSPT
- BSPT)*

COD.	R1	R2	L	S
0130570020	1/8"	1/8"	20	12
0130570040	1/4"	1/4"	35	15
0130570060	3/8"	3/8"	36	19
0130570080	1/2"	1/2"	48	24
0130570100	5/8"	5/8"	50	27
0130570120	3/4"	3/4"	50	32
0130570160	1"	1"	60	41
0130570200	1"1/4	1"1/4	63	50
0130570240	1"1/2	1"1/2	63	55
0130570320	2"	2"	69	70

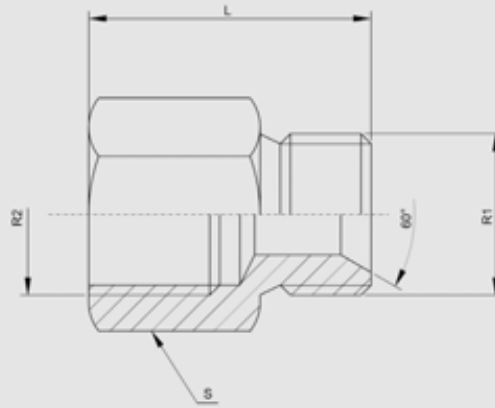


**ADAPTADOR
MACHO-MACHO
(NPT - NPT)**

*MALE NIPPLE (NPT
- NPT)*

CÓDIGO	R1	R2	L	S
0130571040	1/4"	1/4"	35	14
0130571060	3/8"	3/8"	35	19
0130571080	1/2"	1/2"	44	22
0130571120	3/4"	3/4"	49	27
0130571160	1"	1"	57	36

ADAPTADORES ADAPTORS



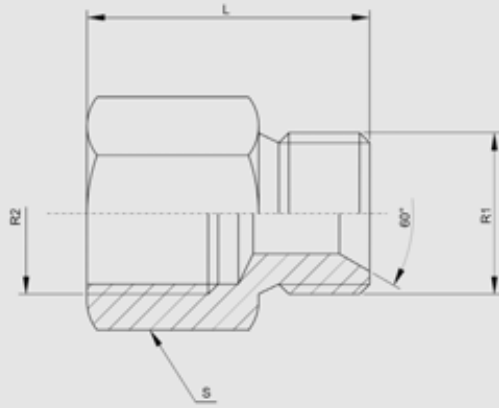
386

**PROLONGADOR
MACHO-HEMBRA
(BSP)**

*FEMALE CONNEC-
TOR (BSP)*

COD.	R1	R2	L	S
0130600020	1/8"	1/8"	25	14
0130600040	1/4"	1/4"	30	19
0130600060	3/8"	3/8"	35	22
0130600080	1/2"	1/2"	45	27
0130600120	3/4"	3/4"	47	32
0130600160	1"	1"	50	41
0130600200	1"1/4	1"1/4	62	50
0130600240	1"1/2	1"1/2	62	55
0130600320	2"	2"	110	70

ADAPTADORES ADAPTORS



387

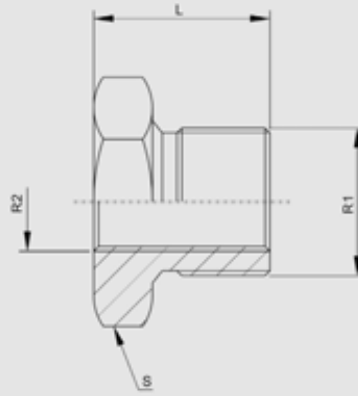


COD.	R1	R2	L	S
0130650010	1/8"	1/4"	29	19
0130650020	1/4"	1/8"	30	19
0130650080	1/4"	3/8"	33	22
0130650090	1/4"	1/2"	37	27
0130650170	3/8"	1/4"	35	22
0130650240	3/8"	1/2"	39	27
0130650230	1/2"	1/4"	36	27
0130650520	1/2"	3/8"	36	27
0130650340	1/2"	3/4"	42	32
0130650350	1/2"	1"	45	41
0130650440	3/4"	1/4"	40	32
0130650450	3/4"	3/8"	40	32
0130650400	3/4"	1/2"	43	32
0130650500	3/4"	1"	50	41
0130650510	3/4"	1"1/4	48	50
0130650560	1"	3/4"	50	41
0130650580	1"	1"1/4	51	50
0130650590	1"	1"1/2	52	55
0130650600	1"1/4	3/4"	53,5	50
0130650610	1"1/4	1"	53,5	50
0130650660	1"1/4	1"1/2	53,5	55
0130650690	1"1/2	1"	55	55
0130650710	1"1/2	1"1/4	55	55
0130650730	1"1/2	2"	65	70
0130650740	2"	1"1/4	68	70
0130650750	2"	1"1/2	68	70

**PROLONGADOR
REDUCTOR MACHO-
HEMBRA (BSP)**

*FEMALE CONNec-
TOR (BSP)*

ADAPTADORES ADAPTORS



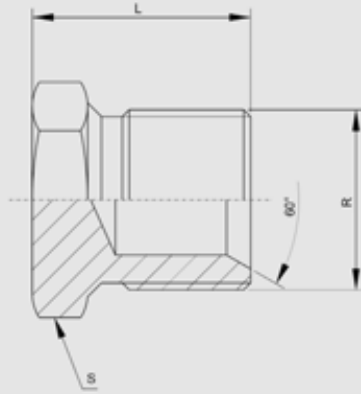
388

**TAPÓN ROSCADO
REDUCTOR (BSP)**

*THREAD REDUCER
(BSP)*

COD.	R1	R2	L	S
0130960500	1/4"	1/8"	18	19
0130960520	3/8"	1/8"	21	22
0130960540	3/8"	1/4"	21	22
0130960560	1/2"	1/4"	23,5	27
0130960580	1/2"	3/8"	23,5	27
0130960600	3/4"	3/8"	27	32
0130960620	3/4"	1/2"	27	32
0130960630	1"	3/8"	30	41
0130960640	1"	1/2"	30	41
0130960680	1"	3/4"	30	41
0130960660	1"1/4	1"	33,5	50
0130960700	1"1/4	1/2"	33,5	50
0130960720	1"1/4	3/4"	33,5	50
0130960740	1"1/2	3/4"	35,5	55
0130960760	1"1/2	1"	35,5	55
0130960780	1"1/2	1"1/4	35,5	55
0130960800	2"	1"1/4	42,5	70
0130960820	2"	1"1/2	42,5	70

ADAPTADORES ADAPTORS



389

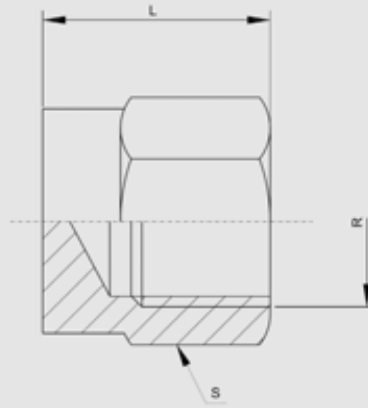


COD.	R	L	S
0130960250	1/8"	14,5	14
0130960260	1/4"	18	19
0130960280	3/8"	21	22
0130960300	1/2"	23,5	27
0130960320	5/8"	26	30
0130960340	3/4"	27	32
0130960360	1"	31	41
0130960380	1"1/4	33,5	50
0130960400	1"1/2	36	55
0130960420	2"	41	70

**TAPÓN MACHO
CONO 60° (BSP)**

PLUG (BSP)

ADAPTADORES ADAPTORS



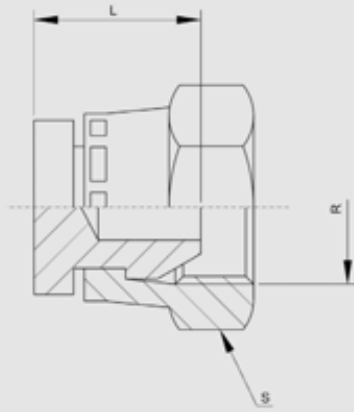
390

**TAPÓN HEMBRA
(BSP)**

**FEMALE PLUG
(BSP)**

COD.	R	L	S
0130960020	1/8"	15	14
0130960040	1/4"	19	18
0130960060	3/8"	23	22
0130960080	1/2"	27	27
0130960120	3/4"	31	32
0130960160	1"	36	40
0130960200	1"1/4	42	50
0130960220	1"1/2	48	60
0130960240	2"		

ADAPTADORES ADAPTORS



391

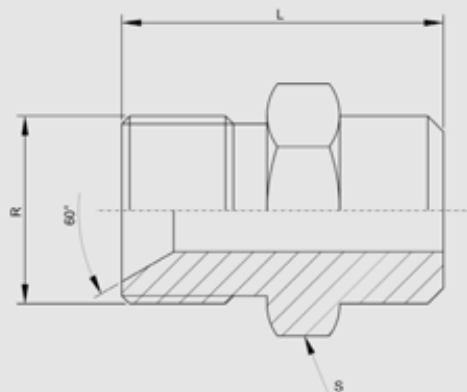


COD.	R	L	S
0130961020	1/8"	11	14
0130961040	1/4"	13,5	19
0130961060	3/8"	15	22
0130961080	1/2"	17,5	27
0130961100	5/8"	16	30
0130961120	3/4"	17,5	32
0130961160	1"	19	38
0130961200	1"1/4	23	50
0130961220	1"1/2	23,5	55
0130961240	2"	25,6	70

**TAPÓN HEMBRA
GIRATORIA (BSP)**

CAP (BSP)

ADAPTADORES ADAPTORS

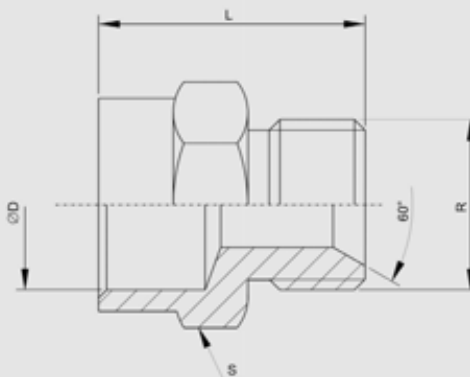


392

ADAPTADOR SOLDABLE MACHO (BSP)

MALE WELDING BOSSES (BSP)

COD.	R	L	S
0130920020	1/8"	20	11
0130920040	1/4"	26	15
0130920060	3/8"	30	18
0130920080	1/2"	35	22
0130920120	3/4"	40	27
0130920160	1"	45	35
0130920200	1"1/4	49	45
0130920240	1"1/2	53	50
0130920320	2"	59	60

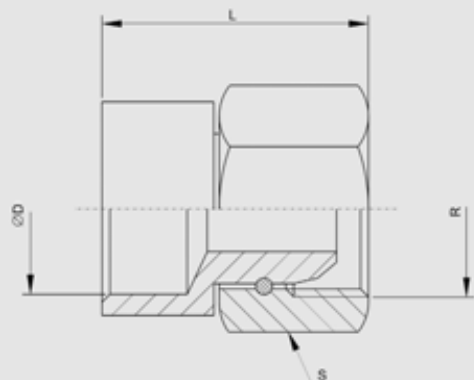


MACHO BSP PARA SOLDAR TUBO GAS

MALE WELDING ADAPTOR INCH TUBE

COD.	R	ØD	L	S
0370780820	3/8"	17,2	30	22
0370780840	1/2"	21,2	35,5	28
0370780860	3/4"	26,9	38,5	32
0370780880	1"	33,5	45	41
0370780900	1"1/4	42	50	50
0370780920	1"1/2	48,2	52	60
0370780930	2"	60,3	59	70

ADAPTADORES ADAPTORS

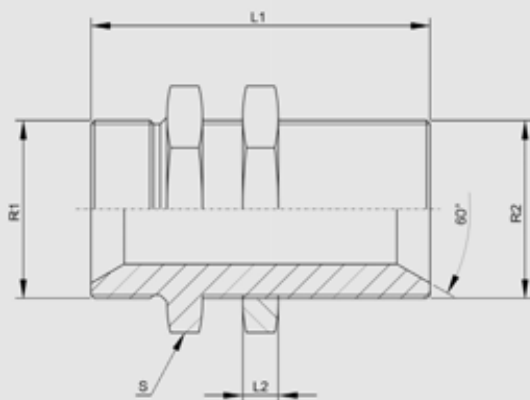


393

COD.	R	ØD	L	S
0370790820	3/8"	17,2	27	22
0370790840	1/2"	21,2	30	27
0370790860	3/4"	26,9	36	32
0370790880	1"	33,5	41	38
0370790900	1"1/4	42	50,5	50
0370790920	1"1/2	48,2	57	55
0370790930	2"	60,3	59	70

**HEMBRA GIRATO-
RIA PARA SOLDAR
TUBO GAS**

*FEMALE SWIVEL
NUT WELDING ADAP-
TOR INCH TUBE*

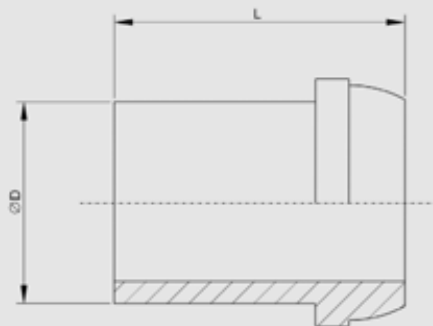


COD.	R1	R2	L1	L2	S
0130520040	1/4"	1/4"	45	7	19
0130520060	3/8"	3/8"	54	8	22
0130520080	1/2"	1/2"	58,5	9	27
0130520120	3/4"	3/4"	65	10	32
0130520160	1"	1"	74	11	41
0130520200	1"1/4	1"1/4	79	13	50
0130520240	1"1/2	1"1/2	93	15	55
0130520320	2"	2"	102	15	70

**ADAPTADOR
DOBLE PASATABI-
QUE (BSP)**

*BULKHEAD UNION
(BSP)*

ADAPTADORES ADAPTORS

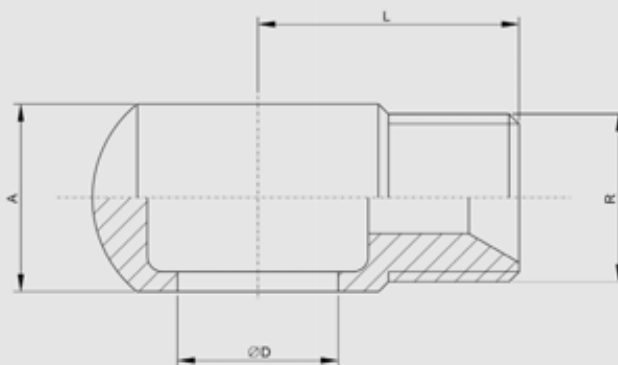


394

**BOQUILLA PARA
SOLDAR**

WELDING NIPPLE

COD.	R	L	ØD
0130750040	1/4"	28	9
0130750060	3/8"	29	12
0130750080	1/2"	30	16
0130750120	3/4"	32	20
0130750160	1"	34	26
0130750200	1"1/4	39	33
0130750240	1"1/2	34	40
0130750320	2"	48	50

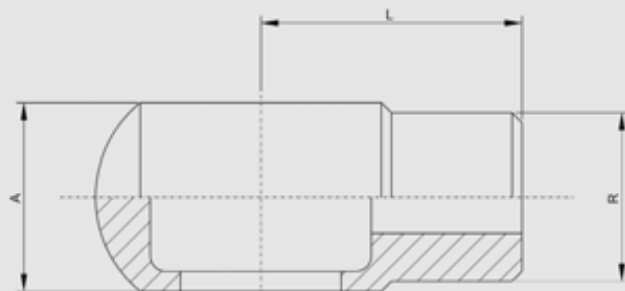


**ORIENTABLE
ROSCA BSP**

*BSP BANJO
THREADED*

COD.	R	ØD	L	A
0130760000	1/8"	1/8"	24	10
0130760050	1/4"	1/4"	25	14
0130760080	1/4"	3/8"	25	18
0130760100	3/8"	3/8"	28	18
0130760120	3/8"	1/2"	28	22
0130760150	1/2"	1/2"	32	22
0130760200	3/4"	3/4"	40	29
0130760250	1"	1"	44	37

ADAPTADORES ADAPTORS



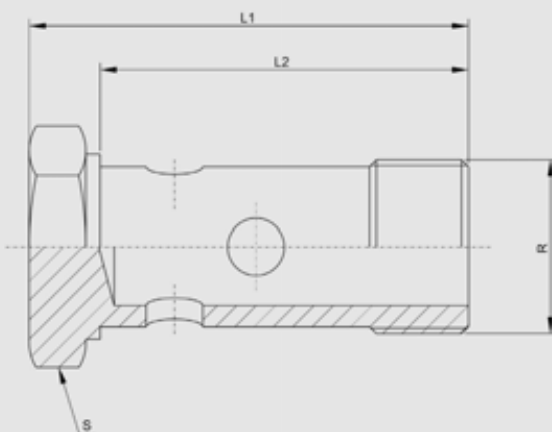
395



COD.	R	L	A
0130770000	1/8"	20	12
0130770050	1/4"	25	14
0130770300	3/8"	29	19
0130770350	1/2"	33	22
0130770400	3/4"	38	28
0130770450	1"	45	38
0130770500	1"1/4	57,5	45
0130770550	1"1/2	60	53

**ORIENTABLE PARA
SOLDAR**

WELDING BANJO

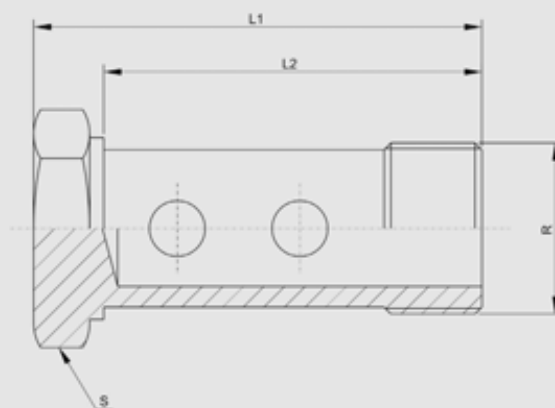


COD.	R	L1	L2	S
0130800000	1/8"	24	19,5	14
0130800050	1/4"	34,5	28,5	19
0130800100	3/8"	40,5	33	22
0130800150	1/2"	46	38	27
0130800170	5/8"	50	42	30
0130800200	3/4"	56	47	32
0130800250	1"	69	58	41
0130800300	1"1/4	84	71	50
0130800350	1"1/2			

**TORNILLO HUECO
GAS BSP SIMPLE**

BSP BANJO BOLT

ADAPTADORES ADAPTORS



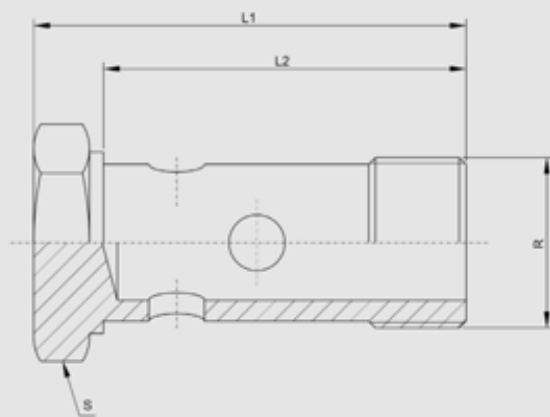
396

**TORNILLO DOBLE
BSP**

*BSP DOUBLE
BANJO BOLT*

COD.	R	L1	L2	S
0130800910	1/8"	36,5	30,5	14
0130800920	1/4"	49	43	19
0130800930	3/8"	57	49,5	22
0130800940	1/2"	72	63	27
0130800950	3/4"	86,5	77,5	32
0130800960	1"	108,5	97,5	41

ADAPTADORES ADAPTORS



397

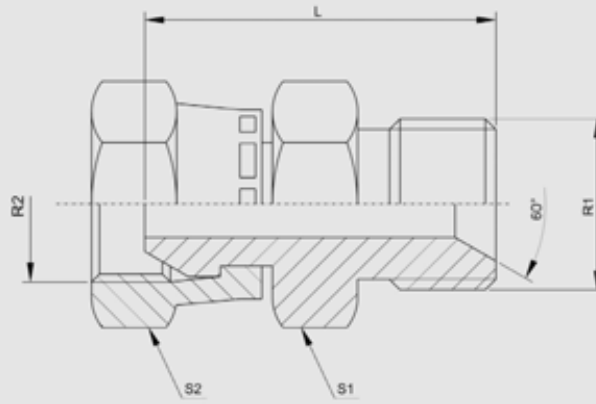


COD.	R	L1	L2	S
0130800550	M-8X1	21	16	12
0130800600	M-10X1	24	19,5	14
0130800650	M-12X1,5	31,5	25,5	17
0130800700	M-14X1,5	34	28,5	19
0130800750	M-16X1,5	40,5	33	22
0130800800	M-18X1,5	44,5	36,5	24
0130800850	M-20X1,5	48	39	27
0130800860	M 22x1,5	46,5	38,5	27
0130800870	M-24X1,5	53	44	30
0130800890	M-26X1,5	56	45,5	32
0130800900	M-30x1,5	66	56	36

**TORNILLO HUECO
MÉTRICO SIMPLE**

*METRIC BANJO
BOLT*

ADAPTADORES ADAPTORS



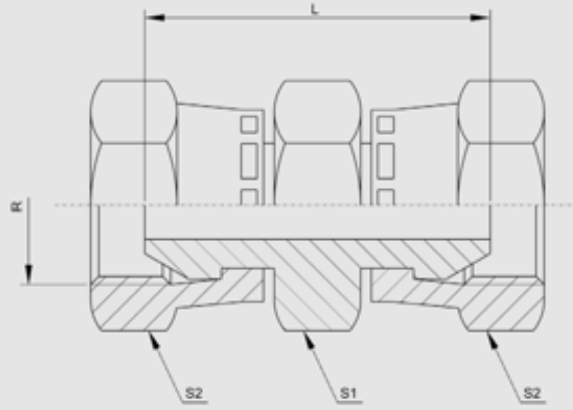
398

**MACHO-HEMBRA
GIRATORIA (BSP)**

**SWIVEL MALE STUD
(BSP)**

COD.	R1	R2	L	S1	S2
0130810020	1/8"	1/8"	24	14	14
0130810060	1/4"	1/4"	29	19	19
0130810080	1/4"	3/8"	33	19	22
0130810170	3/8"	1/4"	33	22	19
0130810180	3/8"	3/8"	33,5	22	22
0130810240	3/8"	1/2"	35,5	22	27
0130810280	1/2"	3/8"	38	27	22
0130810300	1/2"	1/2"	39	27	27
0130810340	1/2"	3/4"	42,5	27	32
0130810400	3/4"	1/2"	41	32	27
0130810460	3/4"	3/4"	44	32	32
0130810500	3/4"	1"	45,5	32	38
0130810560	1"	3/4"	47,5	41	32
0130810540	1"	1"	45,5	41	38
0130810700	1"1/4	1"1/4	54	50	50
0130810800	1"1/2	1"1/2	59	55	55
0130810900	2"	2"	60	70	70

ADAPTADORES ADAPTORS



399

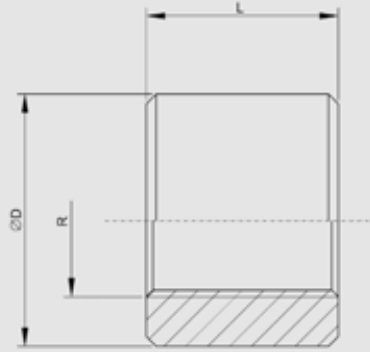


COD.	R	L	S1	S2
0130870020	1/8"	25	14	14
0130870040	1/4"	27,5	19	19
0130870060	3/8"	33	22	22
0130870080	1/2"	37	27	27
0130870120	3/4"	43,5	32	32
0130870160	1"	42,5	41	38

**ADAPTADOR HEM-
BRA GIRATORIA (BSP)**

**SWIVEL NUT UNION
(BSP)**

ADAPTADORES ADAPTORS



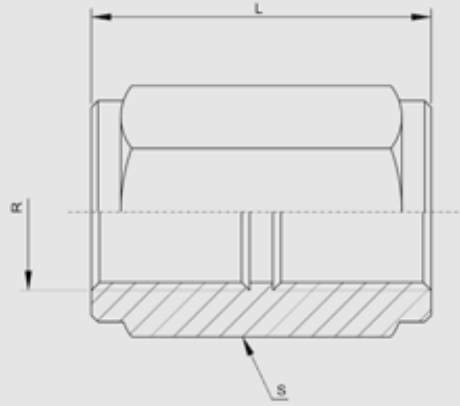
400

**MANGUITO SOLDABLE
SERIE PESADA
BSP**

*BSP WELDABLE
FEMALE*

COD.	R	L	ØD
0130740020	1/8"	14	20
0130740040	1/4"	16	22
0130740060	3/8"	17	26
0130740080	1/2"	18	30
0130740100	5/8"	20	32
0130740120	3/4"	20	38
0130740160	1"	25	46
0130740200	1"1/4	26	56
0130740240	1"1/2	30	62
0130740320	2"	30	70

ADAPTADORES ADAPTORS



401

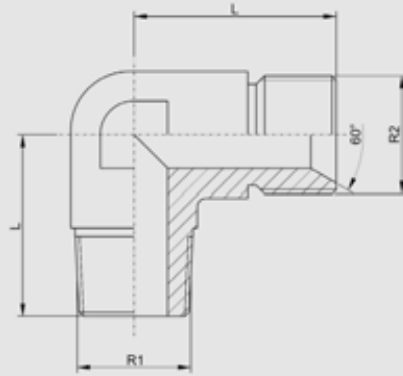


COD.	R	L	S
0130870500	1/8"	30	14
0130870550	1/4"	35	19
0130870600	3/8"	40	22
0130870650	1/2"	34	27
0130870700	3/4"	50	32
0130870750	1"	43	41
0130870800	1"1/4	47	50
0130870850	1"1/2	70	55
0130870900	2"	57	70

**HEMBRA RECTA
(BSP - BSP)**

*FEMALE THREAD
COUPLING (BSP -
BSP)*

ADAPTADORES ADAPTORS



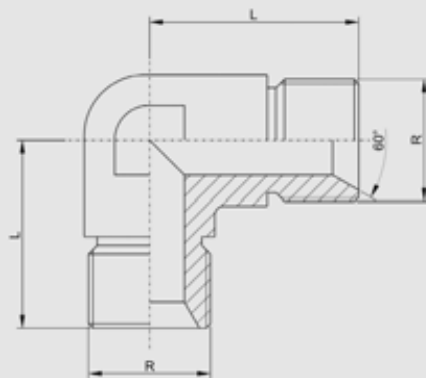
402

**ADAPTADOR 90°
MACHO-MACHO
CÓNICO-
CILÍNDRICO (BSPT-
BSP ESTAMPADO)**

*MALE 90° ELBOW
(BSPT - BSP)*

COD.	R1	R2	L
0130830040	1/8"	1/8"	20
0130830060	1/4"	1/4"	27
0130830190	3/8"	3/8"	30
0130830300	1/2"	1/2"	37
0130830380	5/8"	5/8"	36,5
0130830460	3/4"	3/4"	40
0130830540	1"	1"	50
0130830550	1"1/4	1"1/4	52
0130830560	1"1/2	1"1/2	59
0130830570	2"	2"	77,5

ADAPTADORES ADAPTORS



403

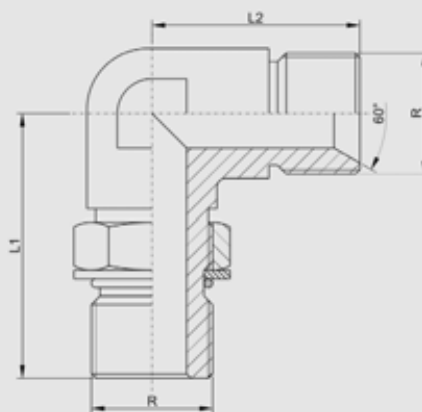


COD.	R	L
0130820020	1/8"	20
0130820040	1/4"	27
0130820060	3/8"	30
0130820080	1/2"	37
0130820100	5/8"	36,5
0130820120	3/4"	40
0130820160	1"	48
0130820200	1"1/4	52
0130820240	1"1/2	59
0130820320	2"	77,5

**ADAPTADOR 90°
MACHO-MACHO
CILÍNDRICO (BSP
ESTAMPADO)**

*MALE 90° ELBOW
(BSP)*

ADAPTADORES ADAPTORS

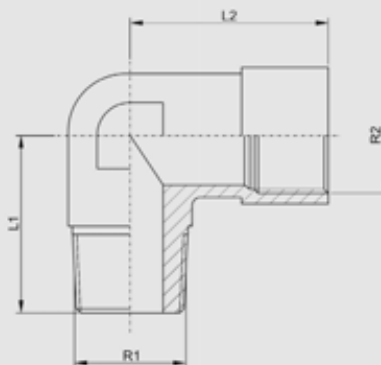
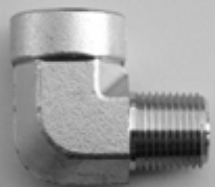


404

**ADAPTADOR 90°
MACHO-MACHO
ORIENTABLE (BSP
ESTAMPADO)**

*90° ADJUSTABLE
MALE ELBOW (BSP)*

COD.	R	L1	L2
0130830600	1/4"	32	27
0130830620	3/8"	37	32
0130830640	1/2"	43	37
0130830660	5/8"	43,5	36,5
0130830680	3/4"	49	40
0130830700	1"	52	50
0130830720	1"1/4	57	52
0130830740	1"1/2	61	59

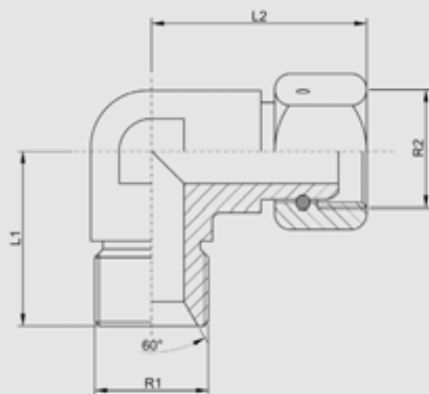


**ADAPTADOR 90°
MACHO-HEMBRA
(BSPT-BSP)**

*MALE FEMALE
THREAD ELBOW
(BSPT-BSP)*

COD.	R1	R2	L1	L2
0130831040	1/8"	1/8"	20	17
0130831060	1/4"	1/4"	28	22
0130831190	3/8"	3/8"	31	26
0130831300	1/2"	1/2"	37	31
0130831460	3/4"	3/4"	40	35
0130831540	1"	1"	56	44

ADAPTADORES ADAPTORS



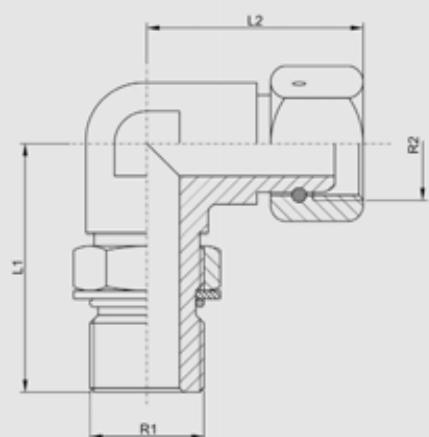
405



COD.	R1	R2	L1	L2
0130850020	1/8"	1/8"	25,4	32
0130850040	1/4"	1/4"	27	29
0130850060	3/8"	3/8"	32	34
0130850080	1/2"	1/2"	37	40
0130850120	3/4"	3/4"	40	46
0130850160	1"	1"	50	52
0130850200	1"1/4	1"1/4	52	57
0130850240	1"1/2	1"1/2	59	64
0130850280	2"	2"	77,5	94

**ADAPTADOR CODO
90° MACHO-HEM-
BRA GIRATORIA
(BSP ESTAMPADO)**

*SWIVEL NUT
ELBOW (BSP)*

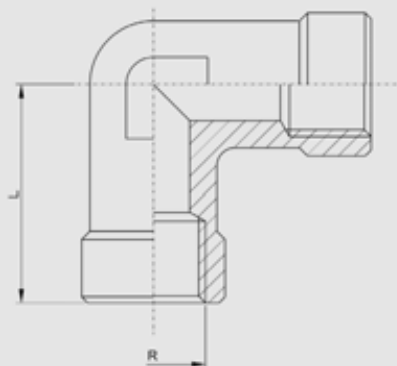


COD.	R1	R2	L1	L2
0130850610	1/8"	1/8"	22	28
0130850600	1/4"	1/4"	27,6	30
0130850620	3/8"	3/8"	32,9	35
0130850640	1/2"	1/2"	42	39
0130850680	3/4"	3/4"	51,3	50
0130850700	1"	1"	54,2	55
0130850720	1"1/4	1"1/4	62,9	61

**ADAPTADOR 90°
MACHO-HEMBRA
ORIENTABLE (BSP
ESTAMPADO)**

*SWIVEL NUT
ELBOW (BSP)*

ADAPTADORES ADAPTORS

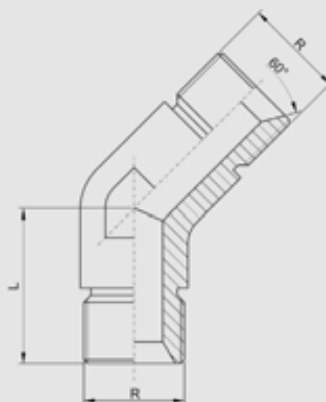
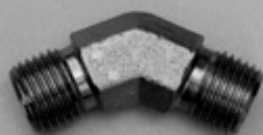


406

**ADAPTADOR 90°
HEMBRA (BSP
ESTAMPADO)**

*FEMALE THREAD
90° ELBOW (BSP)*

COD.	R	L
0130900020	1/8"	17
0130900040	1/4"	22
0130900060	3/8"	26
0130900080	1/2"	31
0130900120	3/4"	35
0130900160	1"	44
0130900200	1"1/4	52

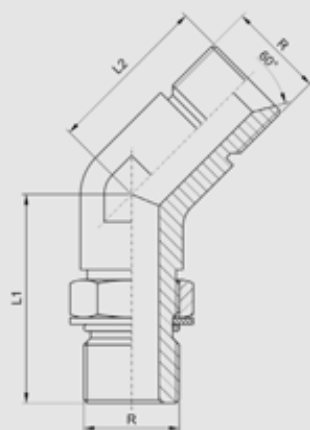


**ADAPTADOR 45°
MACHO-MACHO
CILÍNDRICO (BSP
ESTAMPADO)**

*MALE 45° ELBOW
(BSP)*

COD.	R	L
0130821020	1/8"	20,3
0130821040	1/4"	20,3
0130821060	3/8"	22,8
0130821080	1/2"	25,5
0130821120	3/4"	31,2
0130821160	1"	33,7
0130821220	1"1/4	35,5
0130821240	1"1/2	45,2

ADAPTADORES ADAPTORS



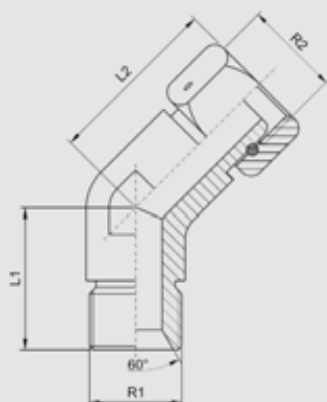
407



COD.	R	L1	L2
0130831610	1/8"	25,4	20,3
0130831600	1/4"	25,4	20,3
0130831620	3/8"	29,2	22,8
0130831640	1/2"	37,2	25,5
0130831680	3/4"	44,0	31,2
0130831700	1"	47,1	33,7
0130831720	1"1/4	55,0	35,5
0130831740	1"1/2	58,2	45,2

**ADAPTADOR 45°
MACHO-MACHO
CILÍNDRICO BSP
ORIENTABLE
(ESTAMPADO)**

*MALE 45° ELBOW
(BSP)*

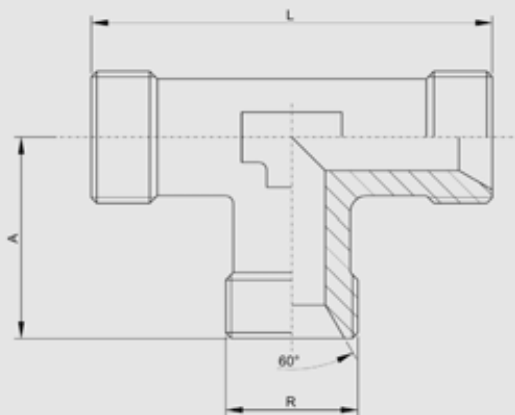


COD.	R1	R2	L1	L2
0130851020	1/8"	1/8"	20,3	27
0130851040	1/4"	1/4"	20,3	29
0130851060	3/8"	3/8"	22,8	33
0130851080	1/2"	1/2"	25,5	37
0130851120	3/4"	3/4"	31,2	45
0130851160	1"	1"	33,7	50
0130851200	1"1/4	1"1/4	35,5	51
0130851240	1"1/2	1"1/2	45,2	58

**ADAPTADOR 45°
MACHO-HEMBRA
GIRATORIA (BSP
ESTAMPADO)**

*SWIVEL MALE 45°
ELBOW (BSP)*

ADAPTADORES ADAPTORS

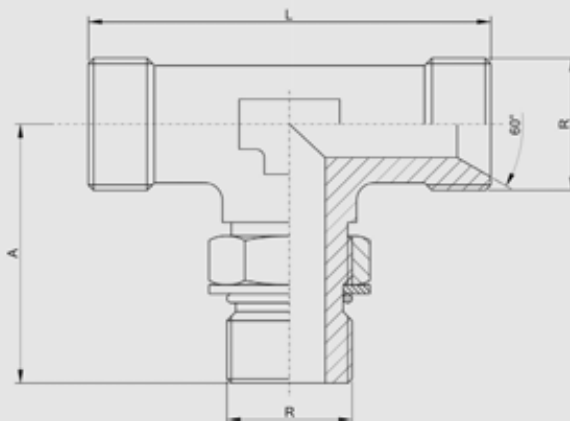


408

**ADAPTADOR "T"
MACHO (BSP
ESTAMPADO)**

UNION TEE (BSP)

COD.	R	L	A
0130840020	1/8	40	20
0130840040	1/4"	54	27
0130840060	3/8"	60	30
0130840080	1/2"	74	37
0130840100	5/8"	63,5	31,7
0130840120	3/4"	80	40
0130840160	1"	100	50
0130840200	1"1/4	104	52
0130840240	1"1/2	118	59

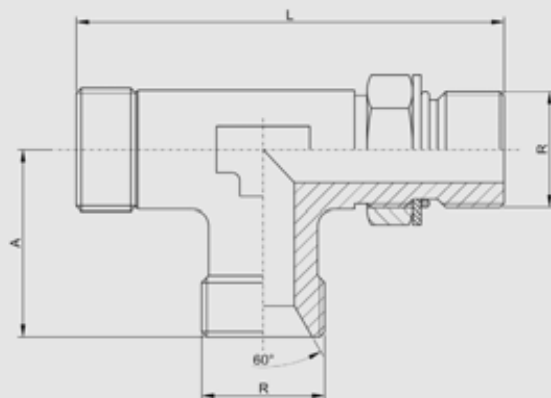


**ADAPTADOR "T"
MACHO BSP ORIEN-
TABLE CENTRAL
(ESTAMPADO)**

*TEE ADAPTER
CYLINDRICAL MALE/
ORIENTABLE
MALE/CYLINDRICAL
MALE (BSP)*

COD.	R	L	A
0130890600	1/4"	54	31,5
0130890620	3/8"	63	36,5
0130890640	1/2"	72	43
0130890680	3/4"	80	49
0130890700	1"	100	52
0130890720	1"1/4	104	57

ADAPTADORES ADAPTORS

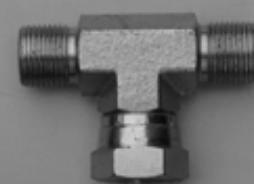
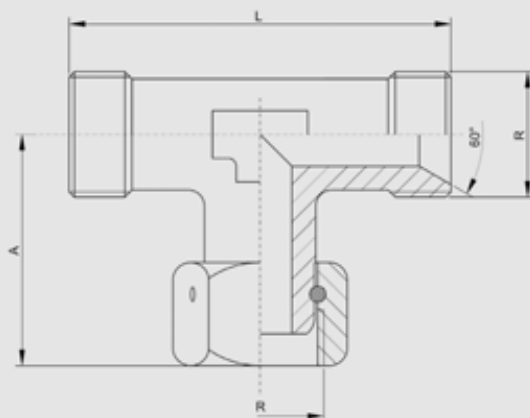


409

COD.	R	L	A
0130880600	1/4"	58,5	27
0130880620	3/8"	68	31,5
0130880640	1/2"	79,5	36,5
0130880680	3/4"	89	40
0130880700	1"	102	50
0130880720	1"1/4	109	52

**ADAPTADOR "T"
MACHO BSP ORIENTABLE LATERAL
(ESTAMPADO)**

*TEE ADAPTER
CYLINDRICAL MALE/
CYLINDRICAL MALE/
ORIENTABLE MALE
(BSP)*

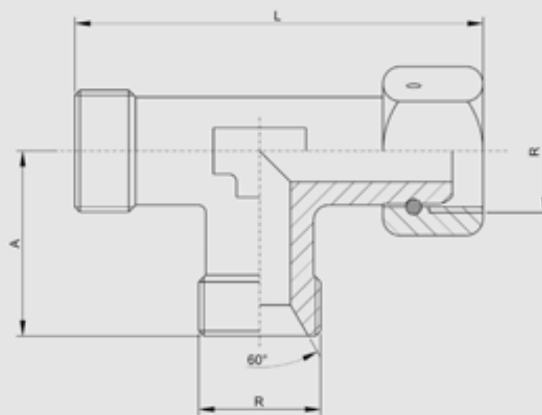
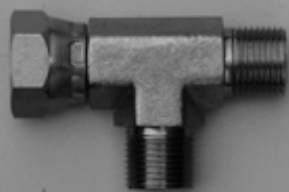


COD.	R	L	A
0130890040	1/4"	54	29
0130890060	3/8"	63	34
0130890080	1/2"	74	40
0130890120	3/4"	80	46
0130890160	1"	100	52
0130890200	1"1/4	104	57
0130890240	1"1/2	120	61

HEMBRA GIRATORIA EN "T" CENTRAL (BSP ESTAMPADO)

*SWIVEL NUT
BRANCH TEE (BSP)*

ADAPTADORES ADAPTORS

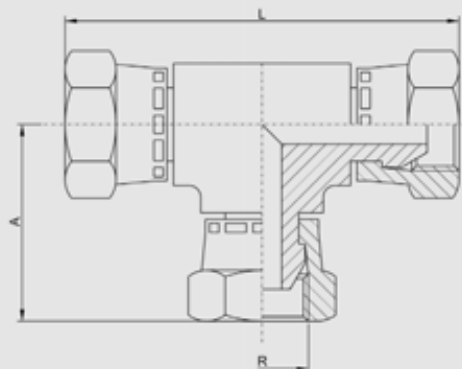
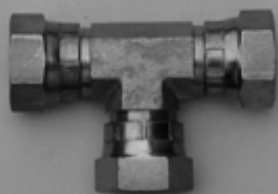


410

**HEMBRA GIRATO-
RIA EN "T" LATE-
RAL (BSP ESTAM-
PADO)**

*SWIVEL NUT RUN
TEE (BSP)*

COD.	R	L	A
0130880040	1/4"	58	27
0130880060	3/8"	66	32
0130880080	1/2"	77	37
0130880120	3/4"	86	40
0130880160	1"	102	50
0130880200	1"1/4	109	52
0130880240	1"1/2	120	59

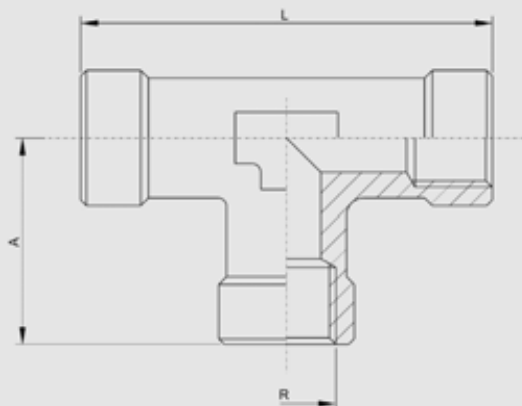


**HEMBRA GIRATO-
RIA EN "T" (BSP
ESTAMPADO)**

*SWIVEL NUT TEE
(BSP)*

COD.	R	L	A
0130840600	1/4"	58	29
0130840620	3/8"	68	34
0130840640	1/2"	80	40
0130840680	3/4"	91	46
0130840700	1"	104	52

ADAPTADORES ADAPTORS



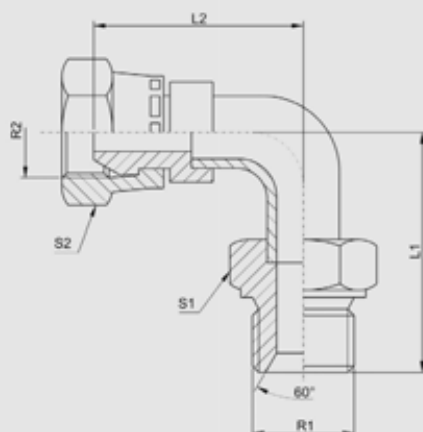
411



COD.	R	L	A
0130910020	1/8"	34	17
0130910040	1/4"	44	22
0130910060	3/8"	52	26
0130910080	1/2"	62	31
0130910120	3/4"	70	35
0130910160	1"	88	44
0130910200	1"1/4"	100	50

**ADAPTADOR "T"
HEMBRA (BSP
ESTAMPADO)**

*FEMALE THREAD
TEE (BSP)*

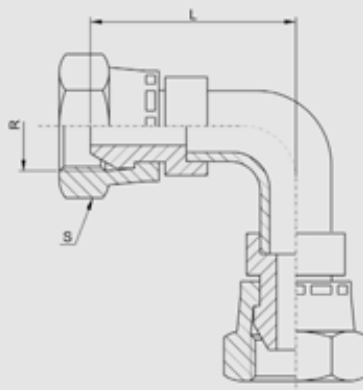


COD.	R1	R2	L1	L2	S1	S2
0130980000	1/8"	1/8"	29,5	29,7	14	14
0130980050	1/4"	1/4"	32	30,8	19	19
0130980100	3/8"	3/8"	37	38,5	22	22
0130980150	1/2"	1/2"	42,5	45,5	27	27
0130980200	3/4"	3/4"	58	55,8	32	32
0130980250	1"	1"	70	65,2	41	38
0130980300	1"1/4"	1"1/4"	78,5	74,5	50	50
0130980350	1"1/2"	1"1/2"	93	89,1	55	55
0130980400	2"	2"	121	112,9	70	70

**ADAPTADOR
MACHO HEMBRA
GIRATORIA A 90°**

*90° BSP SWEPT
ELBOW MALE
FEMALE*

ADAPTADORES ADAPTORS

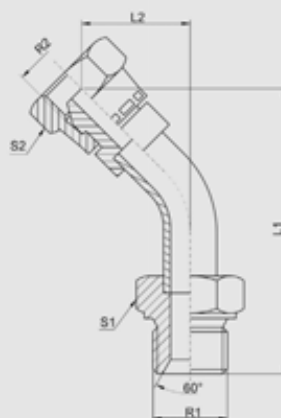


412

ADAPTADOR HEMBRA GIRATORIA A 90°

90° BSP SWEPT ELBOW FEMALE FEMALE

COD.	R	L	S
0130980550	1/4"	30,8	19
0130980600	3/8"	38,5	22
0130980650	1/2"	45,5	27
0130980700	3/4"	55,8	32
0130980750	1"	65,2	38
0130980800	1"1/4	74,5	50
0130980850	1"1/2	89,1	55
0130980900	2"	112,9	70

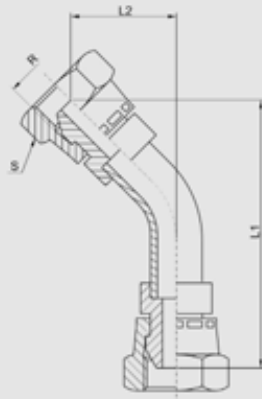


ADAPTADOR MACHO HEMBRA GIRATORIA A 45°

45° BSP SWEPT ELBOW MALE FEMALE

COD.	R1	R2	L1	L2	S1	S2
0130990050	1/4"	1/4"	44,1	17,1	19	19
0130990100	3/8"	3/8"	52	21	22	22
0130990150	1/2"	1/2"	53,3	23,8	27	27
0130990200	3/4"	3/4"	66,4	25,9	32	32
0130990250	1"	1"	85,9	33,9	38	38
0130990300	1"1/4	1"1/4	81,3	31,8	50	50
0130990350	1"1/2	1"1/2	101,9	39,9	55	55
0130990400	2"	2"	132,2	52,2	70	70

ADAPTADORES ADAPTORS



413



COD.	R	L1	L2	S
0130990550	1/4"	42,9	17,1	19
0130990600	3/8"	53,5	21	22
0130990650	1/2"	56,3	23,8	27
0130990700	3/4"	64,2	25,9	32
0130990750	1"	81,1	33,9	38
0130990800	1"1/4	77,3	31,8	50
0130990850	1"1/2	98	39,9	55
0130990900	2"	124,1	52,2	70

ADAPTADOR HEMBRA GIRATORIA A 45°

45° BSP SWEEP ELBOW FEMALE FEMALE



ADAPTADORES JIC – JIC ADAPTORS

ADAPTADORES JIC

JIC ADAPTORS

TUERCAS Y FÉRULAS JIC / JIC NUTS AND SLEEVES



S-110
p.423



S-120
p.424



S-120
p.425

TAPONES JIC / JIC PLUGS

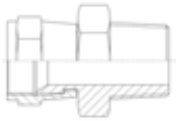


S-130
p.426

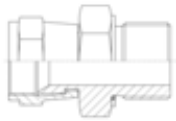


S-140
p.427

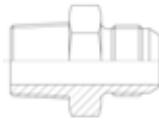
ADAPTADORES JIC RECTOS / JIC STRAIGHT ADAPTORS



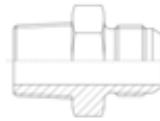
S-150
p.428



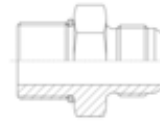
S-180
p.429



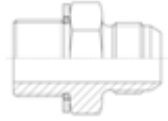
S-200
p.430



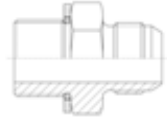
S-210
p.431



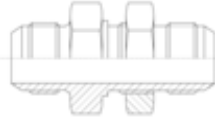
S-220
p.432



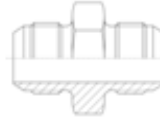
S-230
p.433



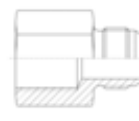
S-240
p.434



S-250
p.435



S-260
p.436



S-280
p.437



S-290
p.438

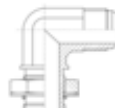
CODOS 90° JIC / JIC 90° ELBOWS



S-500
p.439



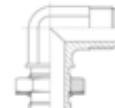
S-525
p.442



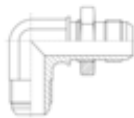
S-575
p.443



S-600
p.444



S-625
p.445



S-650
p.450



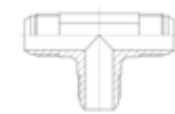
S-675
p.450

CRUZ JIC / JIC CROSS

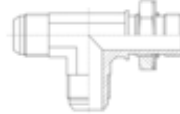


S-510
p.441

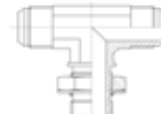
TES JIC / JIC TEES



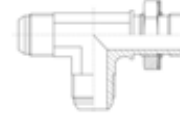
S-505
p.440



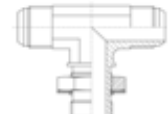
S-580
p.446



S-585
p.447



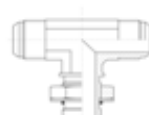
S-605
p.448



S-610
p.449



S-630
p.451



S-635
p.451



S-680
p.452



S-685
p.452

CODOS 45° JIC / JIC 45° ELBOWS



S-590
p.453



S-615
p.453



S-540
p.454



S-565
p.455



S-640
p.456

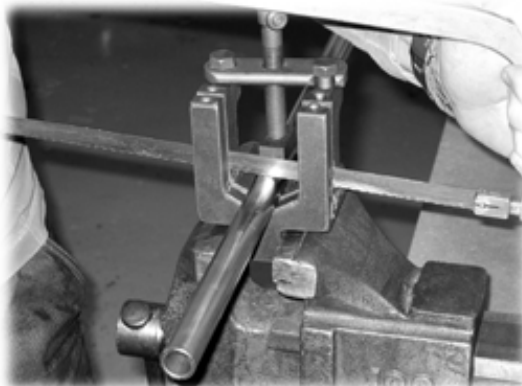
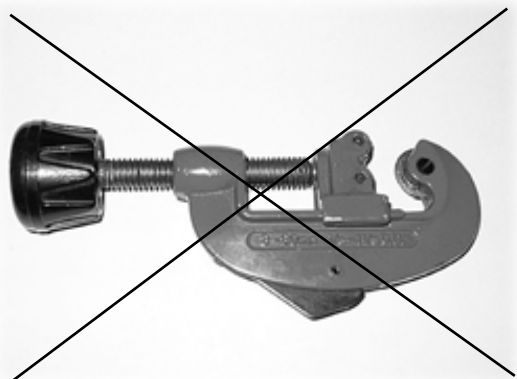


S-690
p.456

Montaje de adaptadores ISO 8434-2

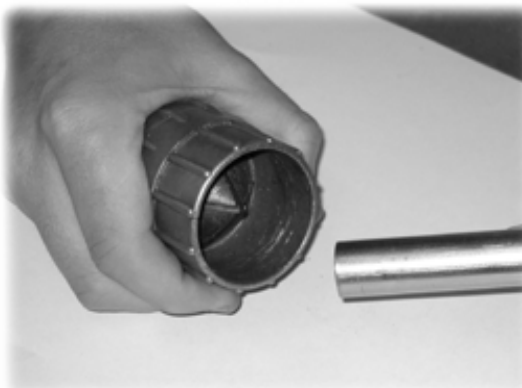
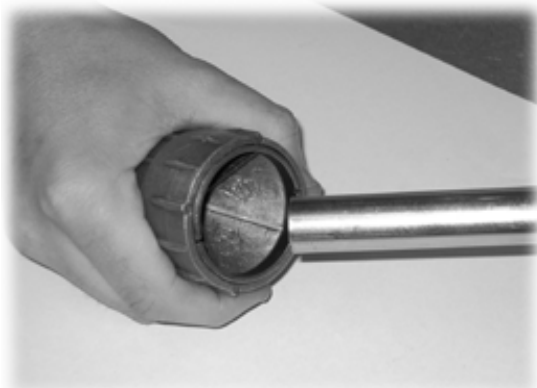
Assembling adapters ISO 8434-2

- 1.- Cortar el tubo a la longitud deseada a escuadra. (Importante: no se debe utilizar ningún cortador de tubos para realizar la operación)
- 1.- Cut the pipe off square to the required length. (Important: no pipe cutters must be used in this operation).

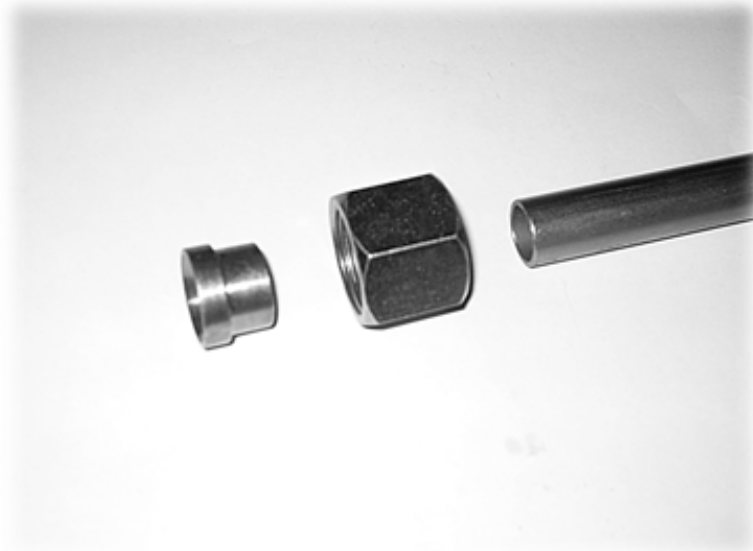


419

- 2.- Rebabado interior y exterior de los extremos de la tubería. Una vez realizada esta operación limpiar correctamente la tubería, eliminando posibles impurezas que pudiesen quedar en el circuito.
- 2.- Deburring the inside and outside at the ends of the pipe. After this is done, clean the pipe carefully to remove any particles that may remain in the pipe.

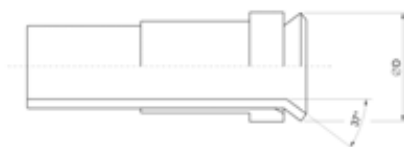


- 3.- Introducir la tuerca y la férula sobre el extremo del tubo. El ángulo de 37° de la férula debe de estar dirigido hacia el extremo del tubo que se va a montar.
- 3.- Fit the nut and ferrule to the end of the pipe. The 37° angle on the ferrule must be pointing towards the end of the pipe that is to be fitted.



- 4.- Para abrir la punta rebabada del tubo a 37°, es necesario utilizar un utensilio o una máquina capaz de realizar esta operación. El diámetro mayor del tubo debe de estar dentro de las medidas indicadas en la tabla adjunta. El cono del adaptador como el cono del tubo deben de ser iguales para realizar correctamente el cierre.
- 4.- To open the deburred point of the pipe to 37°, use a special tool or machine that is able to carry out the operation. The largest diameter of the pipe must come within the measurements shown on the table below. The adapter cone, in addition to the pipe cone, must be the same, in order for them to lock correctly.

Tubo (mm) Pipe (mm)	6	8	10	12	14	15	16	18	20	25	30	32	38
Tubo (inch) Pipe (inch)	1/4"	5/16"	3/8"	1/2"			5/8"		3/4"	1"		1"1/4	1"1/2
∅D min.	8	9,5	11,2	14,9	17,9	17,9	17,9	22,3	22,3	28,7	35,8	35,8	41,4
∅D max.	9,7	11,3	12,7	17,3	20,2	20,2	20,2	24,7	24,7	31	38,9	38,9	45,3



5.- Apretar la tuerca con la mano hasta que se note que ha asentado. Apretar el tubo contra el tope del cono interior.

5.- Tighten the nut by hand until it grips. Tighten the pipe against the stop in the inner cone.



421

6.- A continuación, apretar la tuerca entre un cuarto de vuelta (1/4) y media vuelta (1/2). Durante esta operación el tubo no debe girar.

6.- Next, tighten the nut between a quarter of a turn (1/4) and half a turn (1/2). The pipe must not rotate during this operation.



ADAPTADORES JIC JIC ADAPTORS

Advertencia:

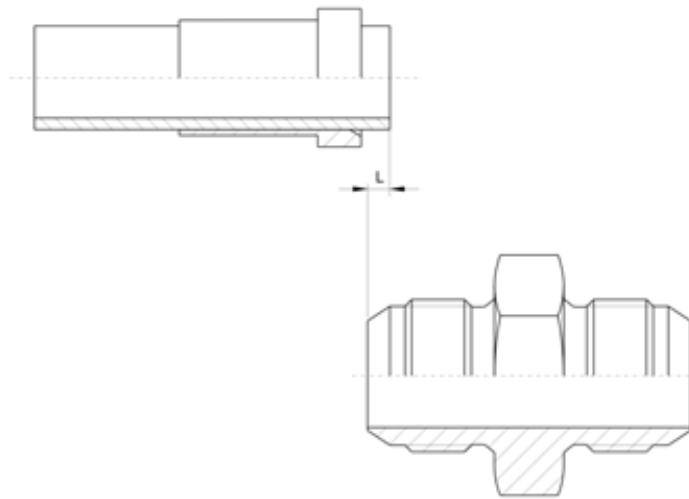
Warning:

Es importante determinar la longitud del tubo a doblar a 37° para que pueda realizar un cierre correcto. (según tabla adjunta)

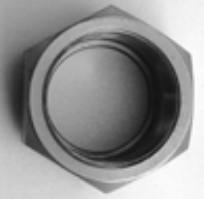
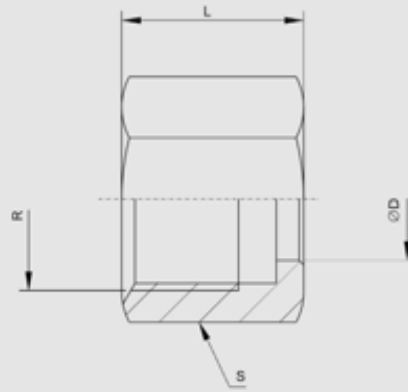
It is important to decide the length of pipe to be bent at 37°, in order to close correctly. (according to the table below)

422

Tubo (mm) Pipe (mm)	6	8	10	12	14	15	16	18	20	25	30	32	38
Tubo (inch) Pipe (inch)	1/4"	5/16"	3/8"	1/2"			5/8"		3/4"	1"		1"1/4	1"1/2
L mm.	2	2	2	2,5	2,5	2,5	2,5	3	3	3	4	4	4



ADAPTADORES JIC JIC ADAPTORS



S-110

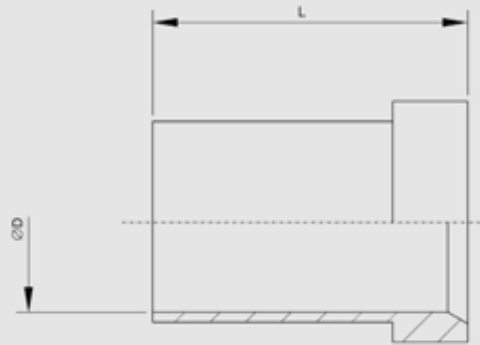
423

COD.	DESCRIP.	R	TUBO	L	S
0660000010	S-110-06-M	7/16"-20	6	15,5	14
0660000020	S-110-08-M	1/2"-20	8	17	16
0660000030	S-110-10-M	9/16"-18	10	18,5	17
0660000040	S-110-12-M	3/4"-16	12	21,5	22
0660000050	S-110-14-15-16-M	7/8"-14	14-15-16	24,5	27
0660000080	S-110-18-20-M	1"1/16-12	18-20	26	32
0660000100	S-110-25-M	1"5/16-12	25	28,5	38
0660000110	S-110-30-32-M	1"5/8-12	30-32	31	50
0660000130	S-110-38-M	1"7/8-12	38	36	57

TUERCAS JIC

JIC NUT

ADAPTADORES JIC JIC ADAPTORS



424

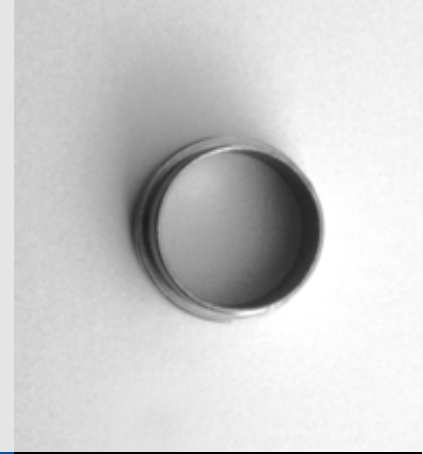
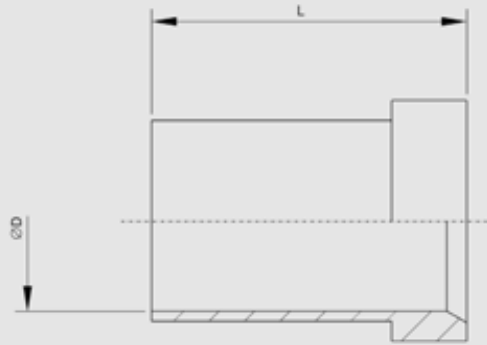
S-120

**FÉRULAS
MÉTRICAS**

METRIC BUSH

COD.	DESCRIP.	TUBO	L
0660010170	S-120-06-M	6	10,5
0660010180	S-120-08-M	8	11,5
0660010190	S-120-10-M	10	12,5
0660010200	S-120-12-M	12	14,5
0660010210	S-120-14-M	14	16,5
0660010220	S-120-15-M	15	16,5
0660010230	S-120-16-M	16	16,5
0660010240	S-120-18-M	18	17
0660010250	S-120-20-M	20	17
0660010260	S-120-25-M	25	19,5
0660010270	S-120-30-M	30	23
0660010280	S-120-32-M	32	23
0660010290	S-120-38-M	38	28,5

ADAPTADORES JIC JIC ADAPTORS



S-120

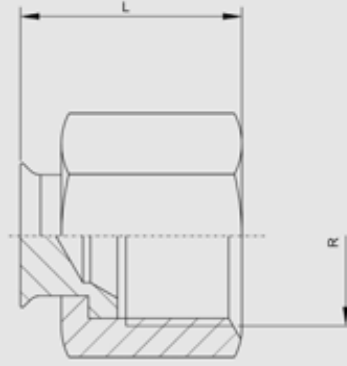
425

COD.	DESCRIP.	TUBO	L
0660010500	S-120-06-W	1/4"	10,5
0660010510	S-120-08-W	5/16"	11,5
0660010520	S-120-10-W	3/8"	12,5
0660010530	S-120-12-W	1/2"	14,5
0660010540	S-120-16-W	5/8"	16,5
0660010550	S-120-18-W	3/4"	17
0660010560	S-120-25-W	1"	19,5
0660010570	S-120-32-W	1"1/4	23
0660010580	S-120-38-W	1"1/2	28,5

FÉRULAS GAS

GAS BUSH

ADAPTADORES JIC JIC ADAPTORS



426

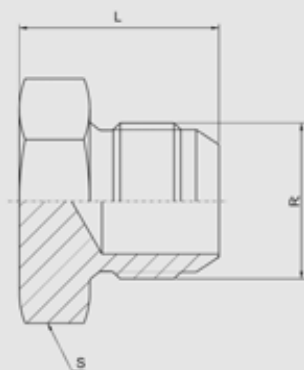
S-130

**TAPÓN HEMBRA
JIC**

FEMALE CAP

COD.	DESCRIP.	TUBO (M)	TUBO (W)	R	L
0660020010	S-130-06-U	6	1/4"	7/16"-20	18
0660020020	S-130-08-U	8	5/16"	1/2"-20	20
0660020030	S-130-10-U	10	3/8"	9/16"-18	22
0660020040	S-130-12-U	12	1/2"	3/4"-16	24
0660020050	S-130-14-15-16U	14-15-16	5/8"	7/8"-14	27
0660020080	S-130-18-20-U	18-20	3/4"	1"1/16-12	30
0660020100	S-130-25-U	25	1"	1"5/16-12	31,5
0660020110	S-130-30-32-U	30-32	1"1/4	1"5/8-12	33
0660020130	S-130-38-U	38	1"1/2	1"7/8-12	42

ADAPTADORES JIC JIC ADAPTORS



S-140

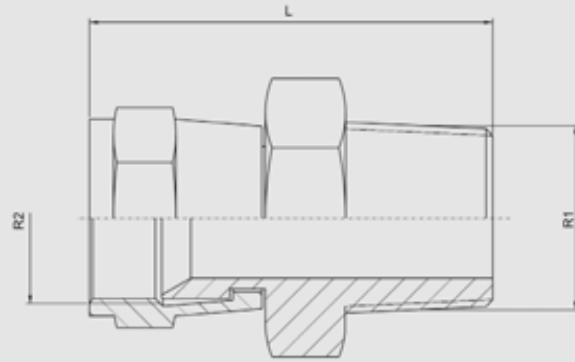
427

COD.	DESCRIP.	TUBO (M)	TUBO (W)	R	L
0660030010	S-140-06-U	6	1/4"	7/16"-20	20,5
0660030020	S-140-08-U	8	5/16"	1/2"-20	20,5
0660030030	S-140-10-U	10	3/8"	9/16"-18	21,5
0660030040	S-140-12-U	12	1/2"	3/4"-16	24,5
0660030050	S-140-14-15-16-U	14-15-16	5/8"	7/8"-14	28
0660030080	S-140-18-20-U	18-20	3/4"	1"1/16-12	32,5
0660030100	S-140-25-U	25	1"	1"5/16-12	34
0660030110	S-140-30-32-U	30-32	1"1/4	1"5/8-12	37
0660030130	S-140-38-U	38	1"1/2	1"7/8-12	42

**TAPÓN MACHO
JIC**

MALE CAP

ADAPTADORES JIC JIC ADAPTORS



428

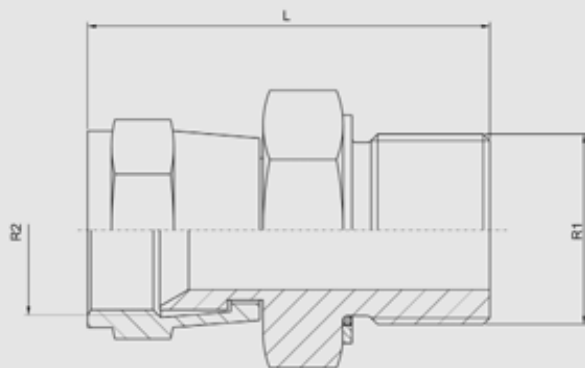
S-150

**RACOR MACHO-
HEMBRA GIRATO-
RIA (BSPT-JIC)**

**SWIVEL MALE STUD
(BSPT-JIC)**

COD.	DESCRIP.	TUBO (M)	TUBO (W)	R1	R2	L
0660040360	S-150-06-13G	6	1/4"	1/4"	7/16"-20	38,5
0660040400	S-150-08-13G	8	5/16"	1/4"	1/2"-20	39,5
0660040420	S-150-10-13G	10	3/8"	1/4"	9/16"-18	40
0660040450	S-150-12-13G	12	1/2"	1/4"	3/4"-16	43
0660040460	S-150-12-17G	12	1/2"	3/8"	3/4"-16	43
0660040500	S-150-16-21G	16	5/8"	1/2"	7/8"-14	51
0660040580	S-150-20-21G	20	3/4"	1/2"	1"1/16-12	54,5
0660040590	S-150-20-26G	20	3/4"	3/4"	1"1/16-12	54,5
0660040640	S-150-25-26G	25	1"	3/4"	1"5/16-12	59
0660040650	S-150-25-33G	25	1"	1"	1"5/16-12	64
0660040680	S-150-32-42G	32	1"1/4	1"1/4	1"5/8-12	69

ADAPTADORES JIC JIC ADAPTORS



S-180

429

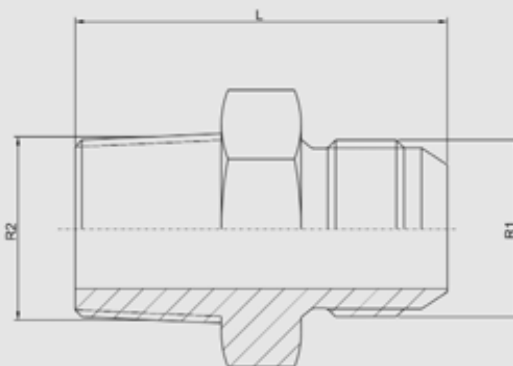


COD.	DESCRIP.	TUBO (M)	TUBO (W)	R1	R2	L
0660070350	S-180-06-10G	6	1/4"	1/8"	7/16"-20	32
0660070400	S-180-08-13G	8	5/16"	1/4"	1/2"-20	36,5
0660070420	S-180-10-13G	10	3/8"	1/4"	9/16"-18	37
0660070430	S-180-10-17G	10	3/8"	3/8"	9/16"-18	38
0660070460	S-180-12-17G	12	1/2"	3/8"	3/4"-16	41
0660070470	S-180-12-21G	12	1/2"	1/2"	3/4"-16	36
0660070550	S-180-16-17G	16	5/8"	3/8"	7/8"-14	34
0660070560	S-180-16-21G	16	5/8"	1/2"	7/8"-14	48
0660070610	S-180-20-21G	20	3/4"	1/2"	1"1/16-12	38
0660070620	S-180-20-26G	20	3/4"	3/4"	1"1/16-12	51,5
0660070640	S-180-25-26G	25	1"	3/4"	1"5/16-12	44
0660070650	S-180-25-33G	25	1"	1"	1"5/16-12	59,5
0660070700	S-180-32-42G	32	1"1/4	1"1/4	1"5/8-12	64,5
0660070720	S-180-38-48G	38	1"1/2	1"1/2	1"7/8-12	70

**RACOR MACHO-
HEMBRA GIRATO-
RIA (BSP-JIC)**

**SWIVEL MALE STUD
(BSP-JIC)**

ADAPTADORES JIC JIC ADAPTORS



430

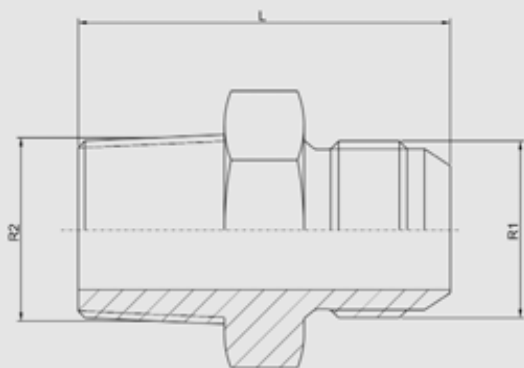
S-200

**RACOR MACHO-
MACHO JIC-NPT**

*MALE STUD CON-
NECTOR (JIC-NPT)*

COD.	DESCRIP.	TUBO (M)	TUBO (W)	R1	R2	L
0660110350	S-200-06-10N	6	1/4"	7/16"-20	1/8"	31
0660110360	S-200-06-13N	6	1/4"	7/16"-20	1/4"	35,5
0660110390	S-200-08-10N	8	5/16"	1/2"-20	1/8"	31
0660110400	S-200-08-13N	8	5/16"	1/2"-20	1/4"	35,5
0660110410	S-200-10-10N	10	3/8"	9/16"-18	1/8"	31,5
0660110420	S-200-10-13N	10	3/8"	9/16"-18	1/4"	36
0660110430	S-200-10-17N	10	3/8"	9/16"-18	3/8"	36
0660110440	S-200-10-21N	10	3/8"	9/16"-18	1/2"	42,5
0660110450	S-200-12-13N	12	1/2"	3/4"-16	1/4"	39
0660110460	S-200-12-17N	12	1/2"	3/4"-16	3/8"	39
0660110470	S-200-12-21N	12	1/2"	3/4"-16	1/2"	45,5
0660110480	S-200-12-26N	12	1/2"	3/4"-16	3/4"	47,5
0660110550	S-200-16-17N	14-15-16	5/8"	7/8"-14	3/8"	43,5
0660110560	S-200-16-21N	14-15-16	5/8"	7/8"-14	1/2"	48
0660110570	S-200-16-26N	14-15-16	5/8"	7/8"-14	3/4"	50
0660110610	S-200-20-21N	18-20	3/4"	1"1/16-12	1/2"	52,5
0660110620	S-200-20-26N	18-20	3/4"	1"1/16-12	3/4"	52,5
0660110630	S-200-20-33N	18-20	3/4"	1"1/16-12	1"	57
0660110640	S-200-25-26N	25	1"	1"5/16-12	3/4"	53,5
0660110650	S-200-25-33N	25	1"	1"5/16-12	1"	58,5
0660110660	S-200-25-42N	25	1"	1"5/16-12	1"1/4	61,5
0660110690	S-200-32-33N	30-32	1"1/4	1"5/8-12	1"	61,5
0660110700	S-200-32-42N	30-32	1"1/4	1"5/8-12	1"1/4	62
0660110710	S-200-38-42N	38	1"1/2	1"7/8-12	1"1/4	67
0660110720	S-200-38-48N	38	1"1/2	1"7/8-12	1"1/2	68

ADAPTADORES JIC JIC ADAPTORS



S-210

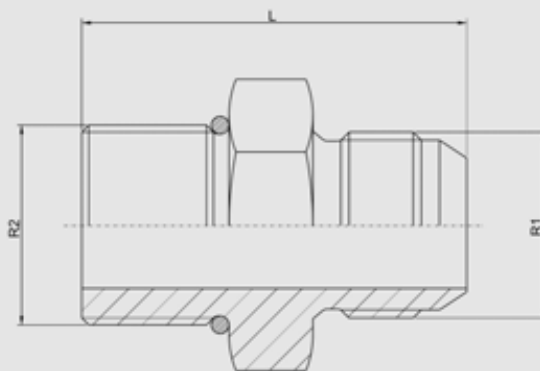
431

COD.	DESCRIP.	TUBO (M)	TUBO (W)	R1	R2	L
0660120350	S-210-06-10G	6	1/4"	7/16"-20	1/8"	31
0660120360	S-210-06-13G	6	1/4"	7/16"-20	1/4"	35,5
0660120390	S-210-08-10G	8	5/16"	1/2"-20	1/8"	31
0660120400	S-210-08-13G	8	5/16"	1/2"-20	1/4"	35,5
0660120410	S-210-10-10G	10	3/8"	9/16"-18	1/8"	31,5
0660120420	S-210-10-13G	10	3/8"	9/16"-18	1/4"	36
0660120430	S-210-10-17G	10	3/8"	9/16"-18	3/8"	36
0660120440	S-210-10-21G	10	3/8"	9/16"-18	1/2"	42,5
0660120450	S-210-12-13G	12	1/2"	3/4"-16	1/4"	38
0660120460	S-210-12-17G	12	1/2"	3/4"-16	3/8"	38
0660120470	S-210-12-21G	12	1/2"	3/4"-16	1/2"	43,5
0660120480	S-210-12-26G	12	1/2"	3/4"-16	3/4"	47,5
0660120550	S-210-16-17G	14-15-16	5/8"	7/8"-14	3/8"	43,5
0660120560	S-210-16-21G	14-15-16	5/8"	7/8"-14	1/2"	48
0660120570	S-210-16-26G	14-15-16	5/8"	7/8"-14	3/4"	50
0660120610	S-210-20-21G	18-20	3/4"	1"1/16-12	1/2"	52,5
0660120620	S-210-20-26G	18-20	3/4"	1"1/16-12	3/4"	52,5
0660120630	S-210-20-33G	18-20	3/4"	1"1/16-12	1"	57
0660120640	S-210-25-26G	25	1"	1"5/16-12	3/4"	53,5
0660120650	S-210-25-33G	25	1"	1"5/16-12	1"	58,5
0660120660	S-210-25-42G	25	1"	1"5/16-12	1"1/4	61,5
0660120690	S-210-32-33G	30-32	1"1/4	1"5/8-12	1"	61,5
0660120700	S-210-32-42G	30-32	1"1/4	1"5/8-12	1"1/4	62
0660120710	S-210-38-42G	38	1"1/2	1"7/8-12	1"1/4	68
0660120720	S-210-38-48G	38	1"1/2	1"7/8-12	1"1/2	68

**RACOR MACHO-
MACHO (JIC-BSPT)**

**MALE STUD CON-
NECTOR (JIC-BSPT)**

ADAPTADORES JIC JIC ADAPTORS



432

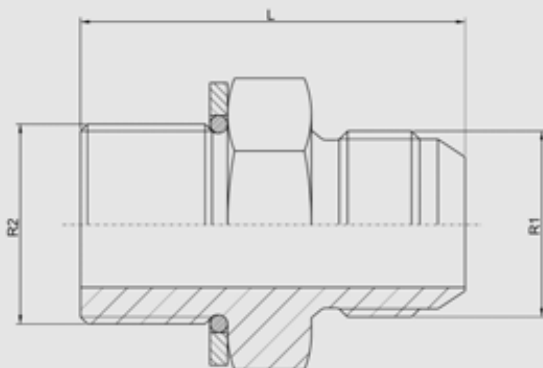
S-220

**RACOR MACHO-
MACHO (JIC-UNF 2A)**

*MALE STUD CON-
NECTOR (JIC-UNF 2A)*

COD.	DESCRIP.	TUBO (M)	TUBO (W)	R1	R2	L
0660130760	S-220-06-11U	6	1/4"	7/16"-20	7/16"-20	31
0660130770	S-220-06-12U	6	1/4"	7/16"-20	1/2"-20	31
0660130780	S-220-06-14U	6	1/4"	7/16"-20	9/16"-18	33
0660130790	S-220-08-12U	8	5/16"	1/2"-20	1/2"-20	31
0660130800	S-220-10-14U	10	3/8"	9/16"-18	9/16"-18	33
0660130810	S-220-10-19U	10	3/8"	9/16"-18	3/4"-16	34,5
0660130820	S-220-12-19U	12	1/2"	3/4"-16	3/4"-16	37,5
0660130830	S-220-12-22U	12	1/2"	3/4"-16	7/8"-14	40,5
0660130840	S-220-12-27U	12	1/2"	3/4"-16	1"1/16-12	45
0660130910	S-220-16-19U	14-15-16	5/8"	7/8"-14	3/4"-16	40,5
0660130920	S-220-16-22U	14-15-16	5/8"	7/8"-14	7/8"-14	43
0660130930	S-220-16-27U	14-15-16	5/8"	7/8"-14	1"1/16-12	47,5
0660130980	S-220-20-19U	18-20	3/4"	1"1/16-12	3/4"-16	45
0660130990	S-220-20-22U	18-20	3/4"	1"1/16-12	7/8"-14	46,5
0660131000	S-220-20-27U	18-20	3/4"	1"1/16-12	1"1/16-12	50
0660131010	S-220-20-33U	18-20	3/4"	1"1/16-12	1"5/16-12	51
0660131020	S-220-25-27U	25	1"	1"5/16-12	1"1/16-12	51
0660131030	S-220-25-33U	25	1"	1"5/16-12	1"5/16-12	52
0660131040	S-220-25-41U	25	1"	1"5/16-12	1"5/8-12	53,5
0660131060	S-220-32-41U	30-32	1"1/4	1"5/8-12	1"5/8-12	55
0660131070	S-220-38-48U	38	1"1/2	1"7/8-12	1"7/8-12	60

ADAPTADORES JIC JIC ADAPTORS



S-230

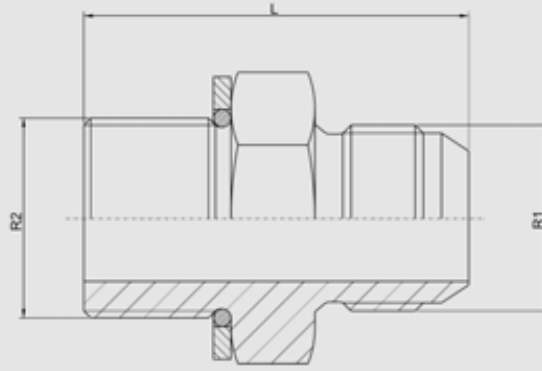
433

COD.	DESCRIP.	TUBO (M)	TUBO (W)	R1	R2	L
0660140350	S-230-06-10G	6	1/4"	7/16"-20	1/8"	29
0660140360	S-230-06-13G	6	1/4"	7/16"-20	1/4"	34,5
0660140370	S-230-06-17G	6	1/4"	7/16"-20	3/8"	34,5
0660140380	S-230-06-21G	6	1/4"	7/16"-20	1/2"	38
0660140400	S-230-08-13G	8	5/16"	1/2"-20	1/4"	34,5
0660140410	S-230-08-17G	8	5/16"	1/2"-20	3/8"	34,5
0660140420	S-230-10-13G	10	3/8"	9/16"-18	1/4"	34,5
0660140430	S-230-10-17G	10	3/8"	9/16"-18	3/8"	34,5
0660140440	S-230-10-21G	10	3/8"	9/16"-18	1/2"	38
0660140450	S-230-12-13G	12	1/2"	3/4"-16	1/4"	37,5
0660140460	S-230-12-17G	12	1/2"	3/4"-16	3/8"	37,5
0660140470	S-230-12-21G	12	1/2"	3/4"-16	1/2"	41
0660140480	S-230-12-26G	12	1/2"	3/4"-16	3/4"	45
0660140550	S-230-16-17G	14-15-16	5/8"	7/8"-14	3/8"	40,5
0660140560	S-230-16-21G	14-15-16	5/8"	7/8"-14	1/2"	43,5
0660140610	S-230-20-21G	18-20	3/4"	1"1/16-12	1/2"	47
0660140620	S-230-20-26G	18-20	3/4"	1"1/16-12	3/4"	50
0660140630	S-230-20-33G	18-20	3/4"	1"1/16-12	1"	52,5
0660140640	S-230-25-26G	25	1"	1"5/16-12	3/4"	51
0660140650	S-230-25-33G	25	1"	1"5/16-12	1"	53,5
0660140660	S-230-25-42G	25	1"	1"5/16-12	1"1/4	57
0660140700	S-230-32-42G	30-32	1"1/4	1"5/8-12	1"1/4	58,5
0660140710	S-230-38-42G	38	1"1/4	1"7/8-12	1"1/4	61,5
0660140720	S-230-38-48G	38	1"1/2	1"7/8-12	1"1/2	65,5

**RACOR MACHO-
MACHO (JIC-BSP)**

**MALE STUD CON-
NECTOR (JIC-BSP)**

ADAPTADORES JIC JIC ADAPTORS



434

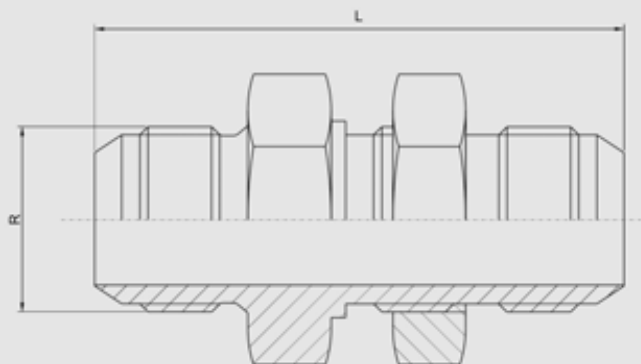
S-240

**RACOR MACHO-
MACHO JIC-
MÉTRICO**

*MALE STUD CON-
NECTOR (JIC-
METRIC)*

COD.	DESCRIP.	TUBO (M)	TUBO (W)	R1	R2	L
0660151110	S-240-06-10M	6	1/4"	7/16"-20	M 10x1	30
0660151120	S-240-08-12M	8	5/16"	1/2"-20	M 12x1,5	33
0660151140	S-240-10-14M	10	3/8"	9/16"-18	M14x1,5	34
0660151150	S-240-12-16M	12	1/2"	3/4"-16	M 16x1,5	37
0660151160	S-240-12-18M	12	1/2"	3/4"-16	M 18x1,5	38
0660151210	S-240-16-18M	14-15-16	5/8"	7/8"-14	M 18x1,5	40
0660151220	S-240-16-22M	14-15-16	5/8"	7/8"-14	M 22x1,5	43
0660151250	S-240-20-22M	18-20	3/4"	1"1/16-12	M 22x1,5	46
0660151260	S-240-20-27M	18-20	3/4"	1"1/16-12	M 27x2	49,5
0660151270	S-240-25-33M	25	1"	1"5/16-12	M 33x2	53,5
0660151290	S-240-32-42M	30-32	1"1/4	1"5/8-12	M 42x2	58,5
0660151300	S-240-38-50M	38	1"1/2	1"7/8-12	M 50x2	61

ADAPTADORES JIC JIC ADAPTORS



S-250

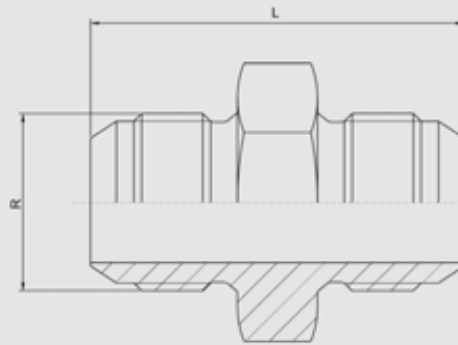
435

COD.	DESCRIP.	TUBO (M)	TUBO (W)	R	L
0660160010	S-250-06-L	6	1/4"	7/16"-20	52,5
0660160020	S-250-08-L	8	5/16"	1/2"-20	52,5
0660160030	S-250-10-L	10	3/8"	9/16"-18	55,5
0660160040	S-250-12-L	12	1/2"	3/4"-16	62
0660160070	S-250-16-L	14-15-16	5/8"	7/8"-14	69,5
0660160090	S-250-20-L	18-20	3/4"	1"1/16-12	78,5
0660160100	S-250-25-L	25	1"	1"5/16-12	80
0660160120	S-250-32-L	30-32	1"1/4	1"5/8-12	84
0660160130	S-250-38-L	38	1"1/2	1"7/8-12	89,5

**PASATABIQUES
(JIC-JIC)**

**BULKHEAD UNION
(JIC-JIC)**

ADAPTADORES JIC JIC ADAPTORS



436

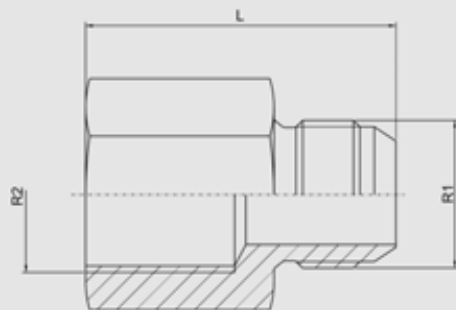
S-260

**RACOR RECTO
MACHO-MACHO
(JIC-JIC)**

UNION (JIC-JIC)

COD.	DESCRIP.	TUBO (M)	TUBO (W)	R	L
0660170010	S-260-06-I	6	1/4"	7/16"-20	34,5
0660170020	S-260-08-I	8	5/16"	1/2"-20	34,5
0660170030	S-260-10-I	10	3/8"	9/16"-18	35,5
0660170040	S-260-12-I	12	1/2"	3/4"-16	41
0660170070	S-260-16-I	14-15-16	5/8"	7/8"-14	47,5
0660170090	S-260-20-I	18-20	3/4"	1"1/16-12	55
0660170100	S-260-25-I	25	1"	1"5/16-12	57
0660170120	S-260-32-I	30-32	1"1/4	1"5/8-12	61,5
0660170130	S-260-38-I	38	1"1/2	1"7/8-12	69,5

ADAPTADORES JIC JIC ADAPTORS



S-280

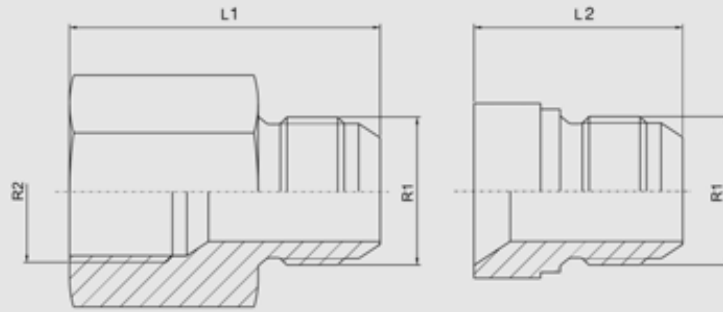
437

COD.	DESCRIP.	TUBO (M)	TUBO (W)	R1	R2	L
0060190350	S-280-06-10G	6	1/4"	7/16"-20	1/8"	30
0660190360	S-280-06-13G	6	1/4"	7/16"-20	1/4"	35,5
0660190390	S-280-08-10G	8	5/16"	1/2"-20	1/8"	30
0660190400	S-280-08-13G	8	5/16"	1/2"-20	1/4"	35,5
0660190420	S-280-10-13G	10	3/8"	9/16"-18	1/4"	33,5
0660190430	S-280-10-17G	10	3/8"	9/16"-18	3/8"	36,5
0660190460	S-280-12-17G	12	1/2"	3/4"-16	3/8"	39,5
0660190470	S-280-12-21G	12	1/2"	3/4"-16	1/2"	45,5
0660190560	S-280-16-21G	14-15-16	5/8"	7/8"-14	1/2"	48
0660190610	S-280-20-21G	18-20	3/4"	1"1/16-12	1/2"	50,5
0660190620	S-280-20-26G	18-20	3/4"	1"1/16-12	3/4"	52,5
0660190650	S-280-25-33G	25	1"	1"5/16-12	1"	59,5
0660190700	S-280-32-42G	30-32	1"1/4	1"5/8-12	1"1/4	63
0660190720	S-280-38-48G	38	1"1/2	1"7/8-12	1"1/2	66,5

**RACOR MACHO
HEMBRA (JIC-BSP)**

**FEMALE CONNec-
TOR (JIC-BSP)**

ADAPTADORES JIC JIC ADAPTORS



438

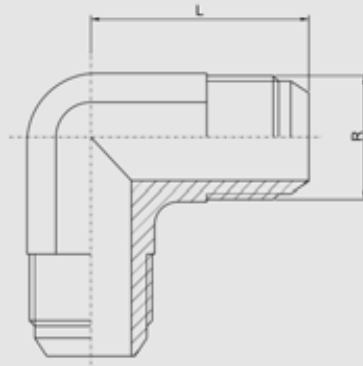
S-290

**RACOR MACHO
HEMBRA (JIC-JIC)**

**FEMALE CONNec-
TOR (JIC-JIC)**

COD.	DESCRIP.	TUBO (M)		TUBO (W)		R2	R1	L1	L2
		R2	R1	R2	R1				
660201500	S-290-10-03U	10	6	3/8"	1/4"	9/16"-18	7/16"-20		24.5
660201510	S-290-10-08U	10	8	3/8"	5/16"	9/16"-18	1/2"-20	29	
660201520	S-290-12-06U	12	6	1/2"	1/4"	3/4"-16	7/16"-20		25.5
660201530	S-290-12-08U	12	8	1/2"	5/16"	3/4"-16	1/2"-20		25.5
660201540	S-290-12-10U	12	10	1/2"	3/8"	3/4"-16	9/16"-18		25.5
660201610	S-290-16-06U	14/15/16	6	5/8"	1/4"	7/8"-14	7/16"-20		26
660201620	S-290-16-10U	14/15/16	10	5/8"	3/8"	7/8"-14	9/16"-18		26
660201630	S-290-16-12U	14/15/16	12	5/8"	1/2"	7/8"-14	3/4"-16	36	
660201720	S-290-20-06U	18/20	6	3/4"	1/4"	1"1/16-12	7/16"-20		27.5
660201740	S-290-20-10U	18/20	10	3/4"	3/8"	1"1/16-12	9/16"-18		27.5
660201750	S-290-20-12U	18/20	12	3/4"	1/2"	1"1/16-12	3/4"-16		30.5
660201760	S-290-20-14U	18/20	14-15-16	3/4"	5/8"	1"1/16-12	7/8"-14	42	
660201800	S-290-25-18U	25	18-20	1"	3/4"	1"5/8-12	1"1/16-12		37.5
660201790	S-290-30-16U	30-32	14-15-16	1"1/4	5/8"	1"5/8-12	7/8"-14		37.5
660201820	S-290-30-18U	30-32	18-20	1"1/4	3/4"	1"5/8-12	1"1/16-12		39
660201840	S-290-30-25U	30-32	25	1"1/4	1"	1"5/8-12	1"5/16-12		40
660201880	S-290-38-30U	38	30-32	1"1/2	1"1/4	1"7/8-12	1"5/8-12		43

ADAPTADORES JIC JIC ADAPTORS



S-500

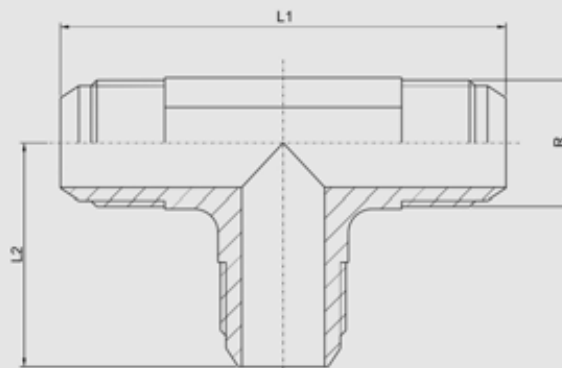
439

COD.	DESCRIP.	TUBO (M)	TUBO (W)	R	L
0660210010	S-500-06-IL	6	1/4"	7/16"-20	22,5
0660210020	S-500-08- IL	8	5/16"	1/2"-20	24
0660210030	S-500-10- IL	10	3/8"	9/16"-18	27
0660210040	S-500-12- IL	12	1/2"	3/4"-16	31,5
0660210070	S-500-16- IL	14-15-16	5/8"	7/8"-14	36,5
0660210090	S-500-20- IL	18-20	3/4"	1"1/16-12	42
0660210100	S-500-25- IL	25	1"	1"5/16-12	46
0660210120	S-500-32- IL	30-32	1"1/4	1"5/8-12	52
0660210130	S-500-38-IL	38	1"1/2	1"7/8-12	59

**CODO 90° MACHO-
MACHO (JIC-JIC)**

**UNION ELBOW (JIC-
JIC)**

ADAPTADORES JIC JIC ADAPTORS



440

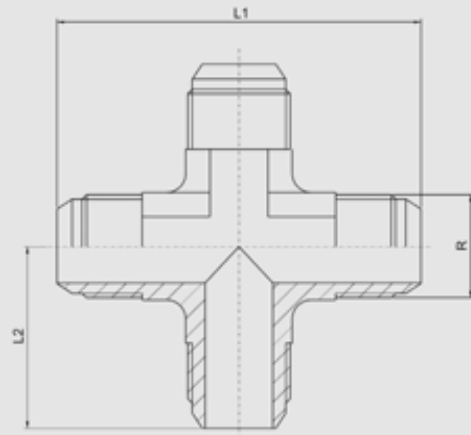
S-505

“T” MACHO-MACHO-
MACHO (JIC)

UNION TEE (JIC)

COD.	DESCRIP.	TUBO (M)	TUBO (W)	R	L1	L2
0660220010	S-505-06-IT	6	1/4"	7/16"-20	45	22,5
0660220020	S-505-08-IT	8	5/16"	1/2"-20	48	24
0660220030	S-505-10-IT	10	3/8"	9/16"-18	54	27
0660220040	S-505-12-IT	12	1/2"	3/4"-16	63	31,5
0660220070	S-505-16-IT	14-15-16	5/8"	7/8"-14	73	36,5
0660220090	S-505-20-IT	18-20	3/4"	1"1/16-12	84	42
0660220100	S-505-25-IT	25	1"	1"5/16-12	92	46
0660220120	S-505-32-IT	30-32	1"1/4	1"5/8-12	104	52
0660220130	S-505-38-IT	38	1"1/2	1"7/8-12	118	59

ADAPTADORES JIC JIC ADAPTORS



S-510

441

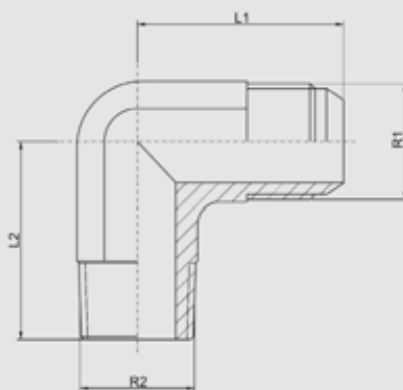


COD.	DESCRIP.	TUBO (M)	TUBO (W)	R	L1	L2
0660230010	S-510-06-X	6	1/4"	7/16"-20	45	22,5
0660230020	S-510-08-X	8	5/16"	1/2"-20	48	24
0660230030	S-510-10-X	10	3/8"	9/16"-18	54	27
0660230040	S-510-12-X	12	1/2"	3/4"-16	63	31,5
0660230070	S-510-16-X	14-15-16	5/8"	7/8"-14	73	36,5
0660230090	S-510-20-X	18-20	3/4"	1"1/16-12	84	42
0660230100	S-510-25-X	25	1"	1"5/16-12	92	46

CRUZ MACHO (JIC)

UNION CROSS (JIC)

ADAPTADORES JIC JIC ADAPTORS



442

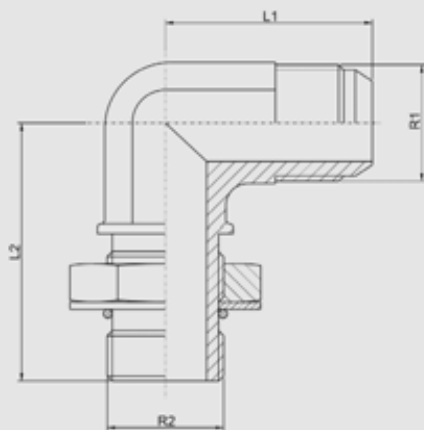
S-525

**CODO 90° MACHO-
MACHO (JIC-NPT)**

**MALE STUD ELBOW
(JIC-NPT)**

COD.	DESCRIP.	TUBO (M)	TUBO (W)	R1	R2	L1	L2
0660240350	S-525-06-10N	6	1/4"	7/16"-20	1/8"	22,5	19,5
0660240360	S-525-06-13N	6	1/4"	7/16"-20	1/4"	27	27,5
0660240390	S-525-08-10N	8	5/16"	1/2"-20	1/8"	24	19,5
0660240400	S-525-08-13N	8	5/16"	1/2"-20	1/4"	27	27,5
0660240420	S-525-10-13N	10	3/8"	9/16"-18	1/4"	27	27,5
0660240430	S-525-10-17N	10	3/8"	9/16"-18	3/8"	28,5	31
0660240440	S-525-10-21N	10	3/8"	9/16"-18	1/2"	31	37
0660240450	S-525-12-13N	12	1/2"	3/4"-16	1/4"	31,5	31
0660240460	S-525-12-17N	12	1/2"	3/4"-16	3/8"	31,5	31
0660240470	S-525-12-21N	12	1/2"	3/4"-16	1/2"	34	37
0660240550	S-525-16-17N	14-15-16	5/8"	7/8"-14	3/8"	36,5	32
0660240560	S-525-16-21N	14-15-16	5/8"	7/8"-14	1/2"	36,5	37
0660240570	S-525-16-26N	14-15-16	5/8"	7/8"-14	3/4"	39,5	40,5
0660240610	S-525-20-21N	18-20	3/4"	1"1/16-12	1/2"	42	40,5
0660240620	S-525-20-26N	18-20	3/4"	1"1/16-12	3/4"	42	40,5
0660240640	S-525-25-26N	25	1"	1"5/16-12	3/4"	46	45
0660240650	S-525-25-33N	25	1"	1"5/16-12	1"	46	50
0660240690	S-525-32-33N	30-32	1"1/4	1"5/8-12	1"	52	59
0660240700	S-525-32-42N	30-32	1"1/4	1"5/8-12	1"1/4	52	60
0660240720	S-525-38-48N	38	1"1/2	1"7/8-12	1"1/2	59	67

ADAPTADORES JIC JIC ADAPTORS



S-575

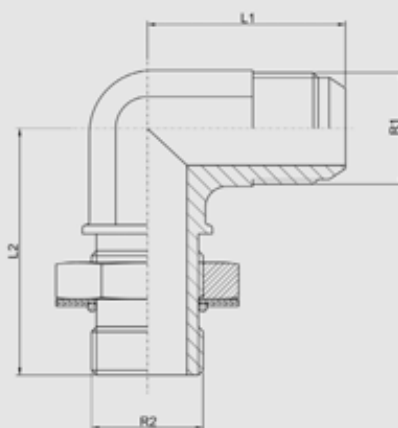
443

COD.	DESCRIP.	TUBO (M)	TUBO (W)	R1	R2	L1	L2
0660300760	S-575-06-11U	6	1/4"	7/16"-20	7/16"-20	22,5	26
0660300770	S-575-06-12U	6	1/4"	7/16"-20	1/2"-20	24	27,5
0660300780	S-575-06-14U	6	1/4"	7/16"-20	9/16"-18	27	31,5
0660300790	S-575-08-12U	8	5/16"	1/2"-20	1/2"-20	24	27,5
0660300800	S-575-10-14U	10	3/8"	9/16"-18	9/16"-18	27	31,5
0660300810	S-575-10-19U	10	3/8"	9/16"-18	3/4"-16	28,5	36
0660300820	S-575-12-19U	12	1/2"	3/4"-16	3/4"-16	31,5	36,5
0660300830	S-575-12-22U	12	1/2"	3/4"-16	7/8"-14	34	43
0660300910	S-575-16-19U	14-15-16	5/8"	7/8"-14	3/4"-16	36,5	39,5
0660300920	S-575-16-22U	14-15-16	5/8"	7/8"-14	7/8"-14	36,5	43
0660300990	S-575-20-22U	18-20	3/4"	1"1/16-12	7/8"-14	42	45,5
0660301000	S-575-20-27U	18-20	3/4"	1"1/16-12	1"1/16-12	42	49
0660301020	S-575-25-27U	25	12	1"5/16-12	1"1/16-12	46	52
0660301030	S-575-25-33U	25	1"	1"5/16-12	1"5/16-12	46	52
0660301060	S-575-32-41U	30-32	1"1/4	1"5/8-12	1"5/8-12	52	57
0660301070	S-575-38-48U	38	1"1/2	1"7/8-12	1"7/8-12	59	61

**CODO 90° MACHO-
MACHO ORIENTA-
BLE (JIC-UNF 2A)**

**MALE STUD ELBOW
(JIC-UNF 2A)**

ADAPTADORES JIC JIC ADAPTORS



444

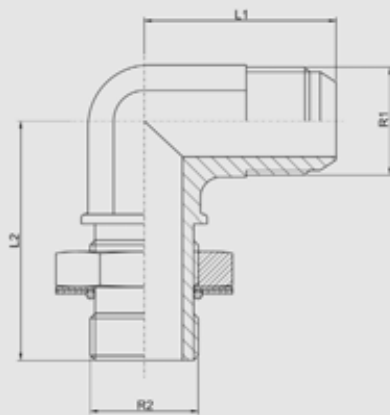
S-600

**CODO 90° MACHO-
MACHO ORIENTA-
BLE (JIC-BSP)**

**MALE STUD ELBOW
(JIC-BSP)**

COD.	DESCRIP.	TUBO (M)	TUBO (W)	R1	R2	L1	L2
0660310350	S-600-06-10G	6	1/4"	7/16"-20	1/8"	22,5	26
0660310360	S-600-06-13G	6	1/4"	7/16"-20	1/4"	27	31,5
0660310390	S-600-08-10G	8	5/16"	1/2"-20	1/8"	24	27,5
0660310400	S-600-08-13G	8	5/16"	1/2"-20	1/4"	27	31,5
0660310420	S-600-10-13G	10	3/8"	9/16"-18	1/4"	27	31,5
0660310430	S-600-10-17G	10	3/8"	9/16"-18	3/8"	28,5	36,5
0660310440	S-600-10-21G	10	3/8"	9/16"-18	1/2"	31	43
0660310450	S-600-12-13G	12	1/2"	3/4"-16	1/4"	31,5	33,5
0660310460	S-600-12-17G	12	1/2"	3/4"-16	3/8"	31,5	36,5
0660310470	S-600-12-21G	12	1/2"	3/4"-16	1/2"	34	43
0660310550	S-600-16-17G	14-15-16	5/8"	7/8"-14	3/8"	36,5	39,5
0660310560	S-600-16-21G	14-15-16	5/8"	7/8"-14	1/2"	36,5	43
0660310570	S-600-16-26G	14-15-16	5/8"	7/8"-14	3/4"	36,5	49
0660310610	S-600-20-21G	18-20	3/4"	1"1/16-12	1/2"	42	45,5
0660310620	S-600-20-26G	18-20	3/4"	1"1/16-12	3/4"	42	49
0660310630	S-600-20-33G	18-20	3/4"	1"1/16-12	1"	44,5	52
0660310640	S-600-25-26G	25	1"	1"5/16-12	3/4"	46	52
0660310650	S-600-25-33G	25	1"	1"5/16-12	1"	46	52
0660310660	S-600-25-42G	25	1"	1"5/16-12	1"1/4	51	57
0660310690	S-600-32-33G	30-32	1"1/4	1"5/8-12	1"	52	57
0660310700	S-600-32-42G	30-32	1"1/2	1"5/8-12	1"1/4	52	57
0660310720	S-600-38-48G	38	1"1/2	1"7/8-12	1"1/2	59	61

ADAPTADORES JIC JIC ADAPTORS



S-625

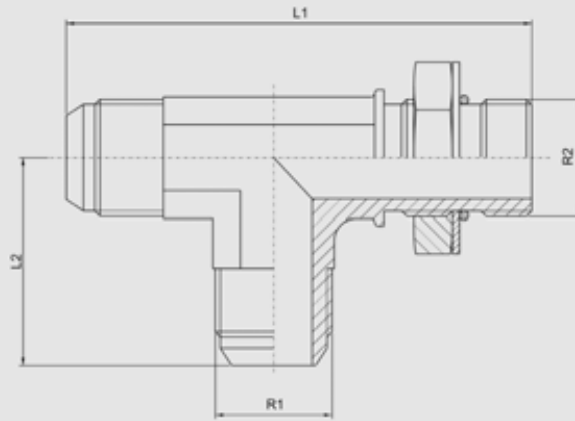
445

COD.	DESCRIP.	TUBO (M)	TUBO (W)	R1	R2	L1	L2
0660321110	S-625-06-10M	6	1/4"	7/16"-20	M 10x1	22,5	26
0660321120	S-625-08-12M	8	5/16"	1/2"-20	M 12x1,5	27	31,5
0660321140	S-625-10-14M	10	3/8"	9/16"-18	M14x1,5	27	31,5
0660321150	S-625-12-16M	12	1/2"	3/4"-16	M 16x1,5	31,5	36,5
0660321160	S-625-12-18M	12	1/2"	3/4"-16	M 18x1,5	31,5	36,5
0660321210	S-625-16-18M	14-15-16	5/8"	7/8"-14	M 18x1,5	36,5	39,5
0660321220	S-625-16-22M	14-15-16	5/8"	7/8"-14	M 22x1,5	36,5	43
0660321250	S-625-20-22M	18-20	3/4"	1"1/16-12	M 22x1,5	42	45,5
0660321260	S-625-20-27M	18-20	3/4"	1"1/16-12	M 27x2	42	49
0660321270	S-625-25-33M	25	1"	1"5/16-12	M 33x2	46	52
0660321290	S-625-32-42M	30-32	1"1/4	1"5/8-12	M 42x2	52	57
0660321310	S-625-38-48M	38	1"1/2	1"7/8-12	M 48x2	59	61

**CODO 90° MACHO-
MACHO ORIENTA-
BLE (JIC-MÉTRICO)**

**MALE STUD ELBOW
(JIC-METRIC)**

ADAPTADORES JIC JIC ADAPTORS



446

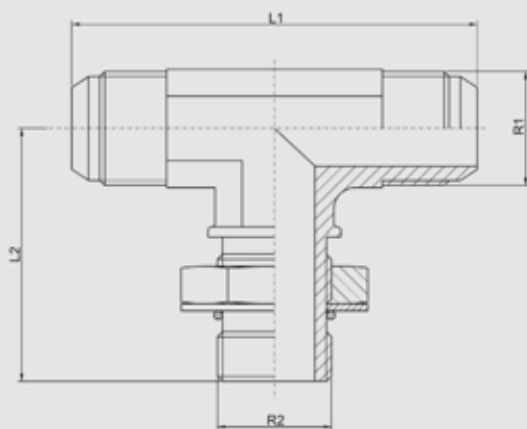
S-580

**“T” ORIENTABLE JIC
LATERAL UNF
(MACHO-MACHO
-MACHO ORIENTABLE)**

**MALE STUD RUN
TEE (JIC-JIC-UNF 2A)**

COD.	DESCRIP.	TUBO (M)	TUBO (W)	R1	R2	L1	L2
0660330760	S-580-06-11U	6	1/4"	7/16"-20	7/16"-20	48,5	22,5
0660330790	S-580-08-12U	8	5/16"	1/2"-20	1/2"-20	51,5	24
0660330800	S-580-10-14U	10	3/8"	9/16"-18	9/16"-18	58,5	27
0660330820	S-580-12-19U	12	1/2"	3/4"-16	3/4"-16	68	31,5
0660330920	S-580-16-22U	14-15-16	5/8"	7/8"-14	7/8"-14	79,5	36,5
0660331000	S-580-20-27U	18-20	3/4"	1"1/16-12	1"1/16-12	91	42
0660331030	S-580-25-33U	25	1"	1"5/16-12	1"5/16-12	98	46
0660331060	S-580-32-41U	30-32	1"1/4	1"5/8-12	1"5/8-12	109	52
0660331070	S-580-38-48U	38	1"1/2	1"7/8-12	1"7/8-12	120	59

ADAPTADORES JIC JIC ADAPTORS



S-585

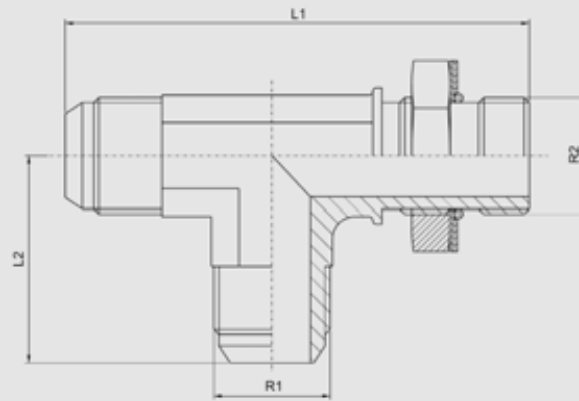
447

COD.	DESCRIP.	TUBO (M)	TUBO (W)	R1	R2	L1	L2
0660340760	S-585-06-11U	6	1/4"	7/16"-20	7/16"-20	45	26
0660340790	S-585-08-12U	8	5/16"	1/2"-20	1/2"-20	48	27,5
0660340800	S-585-10-14U	10	3/8"	9/16"-18	9/16"-18	54	31,5
0660340820	S-585-12-19U	12	1/2"	3/4"-16	3/4"-16	63	36,5
0660340920	S-585-16-22U	14-15-16	5/8"	7/8"-14	7/8"-14	73	43
0660341000	S-585-20-27U	18-20	3/4"	1"1/16-12	1"1/16-12	84	49
0660341030	S-585-25-33U	25	1"	1"5/16-12	1"5/16-12	92	52
0660341060	S-585-32-41U	30-32	1"1/4	1"5/8-12	1"5/8-12	104	57
0660341070	S-585-38-48U	38	1"1/2	1"7/8-12	1"7/8-12	118	61

“T” ORIENTABLE JIC
CENTRAL UNF
(MACHO-MACHO
ORIENTABLE
-MACHO)

MALE STUD BRANCH
TEE (JIC-UNF 2A-JIC)

ADAPTADORES JIC JIC ADAPTORS



448

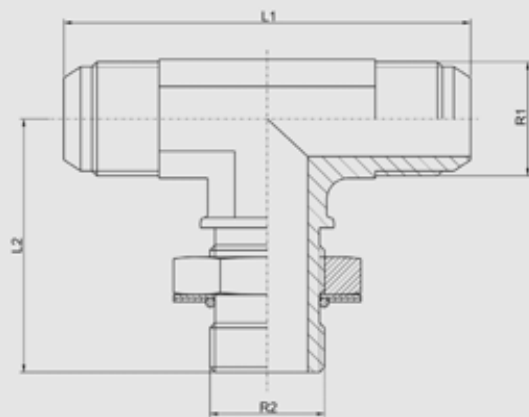
S-605

**“T” ORIENTABLE JIC
LATERAL BSP
(MACHO-MACHO
-MACHO ORIENTABLE)**

**MALE STUD RUN
TEE (JIC-JIC-BSP)**

COD.	DESCRIP.	TUBO (M)	TUBO (W)	R1	R2	L1	L2
0660350350	S-605-06-10G	6	1/4"	7/16"-20	1/8"	48,5	22,5
0660350360	S-605-06-13G	6	1/4"	7/16"-20	1/4"	58,5	27
0660350400	S-605-08-13G	8	5/16"	1/2"-20	1/4"	58,5	27
0660350420	S-605-10-13G	10	3/8"	9/16"-18	1/4"	58,5	27
0660350460	S-605-12-17G	12	1/2"	3/4"-16	3/8"	68	31,5
0660350470	S-605-12-21G	12	1/2"	3/4"-16	1/2"	77	34
0660350560	S-605-16-21G	14-15-16	5/8"	7/8"-14	1/2"	79,5	36,5
0660350620	S-605-20-26G	18-20	3/4"	1"1/16-12	3/4"	91	42
0660350650	S-605-25-33G	25	1"	1"5/16-12	1"	98	46
0660350670	S-605-30-33G	30	1"1/4	1"5/8-12	1"	109	52
0660350700	S-605-32-42G	30-32	1"1/4	1"5/8-12	1"1/4	102	59
0660350720	S-605-38-48G	38	1"1/2	1"7/8-12	1"1/2	120	59

ADAPTADORES JIC JIC ADAPTORS



S-610

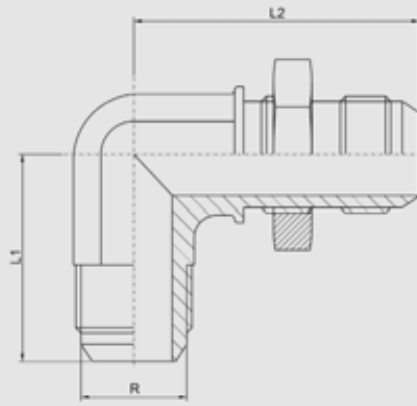
449

COD.	DESCRIP.	TUBO (M)	TUBO (W)	R1	R2	L1	L2
0660360350	S-610-06-10G	6	1/4"	7/16"-20	1/8"	45	26
0660360360	S-610-06-13G	6	1/4"	7/16"-20	1/4"	54	31,5
0660360400	S-610-08-13G	8	5/16"	1/2"-20	1/4"	54	31,5
0660360420	S-610-10-13G	10	3/8"	9/16"-18	1/4"	54	31,5
0660360460	S-610-12-17G	12	1/2"	3/4"-16	3/8"	63	36,5
0660360470	S-610-12-21G	12	1/2"	3/4"-16	1/2"	68	43
0660360560	S-610-16-21G	14-15-16	5/8"	7/8"-14	1/2"	73,5	43
0660360620	S-610-20-26G	18-20	3/4"	1"1/16-12	3/4"	84	49
0660360650	S-610-25-33G	25	1"	1"5/16-12	1"	92	52
0660360670	S-610-30-33G	30	1"1/4	1"5/8-12	1"	104	57
0660360700	S-610-32-42G	30-32	1"1/4	1"5/8-12	1"1/4	104	57
0660360720	S-610-38-48G	38	1"1/2	1"7/8-12	1"1/2	118	61

“T” ORIENTABLE
JIC CENTRAL BSP
(MACHO-MACHO
ORIENTABLE
-MACHO)

MALE STUD
BRANCH TEE (JIC-
BSP-JIC)

ADAPTADORES JIC JIC ADAPTORS



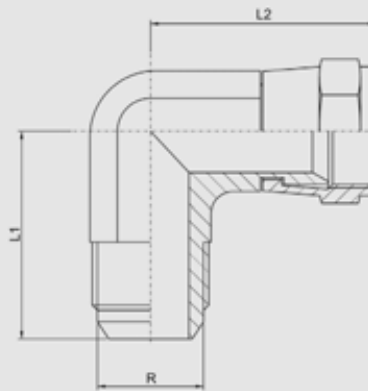
450

S-650

**CODO 90° PASATA-
BIQUES MACHO-
MACHO (JIC-JIC)**

*MALE STUD ELBOW
(JIC-JIC)*

COD.	DESCRIP.	TUBO (M)	TUBO (W)	R	L1	L2
0660390010	S-650-06-U	6	1/4"	7/16"-20	24,5	40,5
0660390020	S-650-08-U	8	5/16"	1/2"-20	26	41
0660390030	S-650-10-U	10	3/8"	9/16"-18	27,5	46
0660390040	S-650-12-U	12	1/2"	3/4"-16	34,5	53,5
0660390070	S-650-16-U	14-15-16	5/8"	7/8"-14	39,5	60,5
0660390090	S-650-20-U	18-20	3/4"	1"1/16-12	45	68
0660390100	S-650-25-U	25	1"	1"5/16-12	49	71



S-675

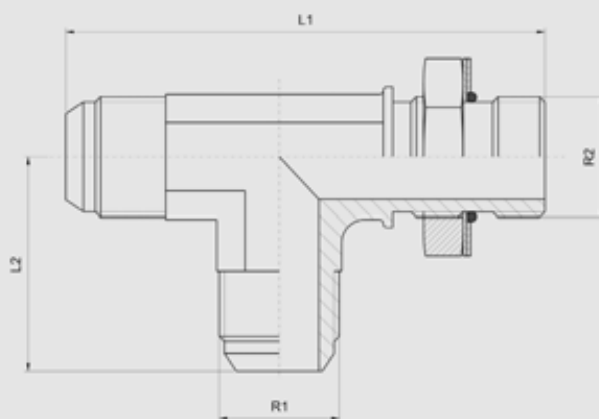
**CODO 90° MACHO-
HEMBRA GIRATO-
RIA (JIC-JIC)**

*SWIVEL NUT
ELBOW (JIC-JIC)*

COD.	DESCRIP.	TUBO (M)	TUBO (W)	R	L1	L2
0660400010	S-675-06-LG	6	1/4"	7/16"-20	22,5	26
0660400020	S-675-08-LG	8	5/16"	1/2"-20	24	28,5
0660400030	S-675-10-LG	10	3/8"	9/16"-18	27	30
0660400040	S-675-12-LG	12	1/2"	3/4"-16	31,5	35,5
0660400070	S-675-16-LG	14-15-16	5/8"	7/8"-14	36,5	42
0660400090	S-675-20-LG	18-20	3/4"	1"1/16-12	42	44,5
0660400100	S-675-25-LG	25	1"	1"5/16-12	46	50
0660400120	S-675-32-LG	30-32	1"1/4	1"5/8-12	52,5	59
0660400130	S-675-38-LG	38	1"1/2	1"7/8-12	59	65,5

ADAPTADORES JIC JIC ADAPTORS

ADAPTADORES JIC



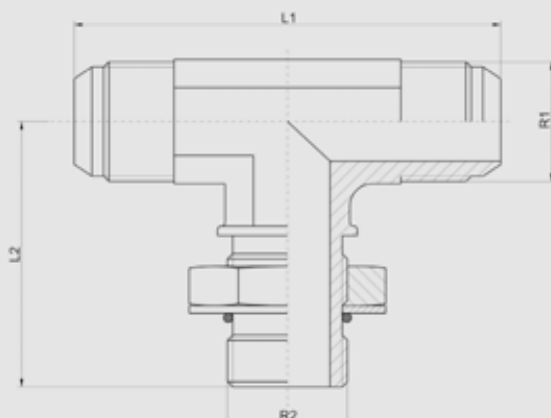
S-630

451

COD.	DESCRIP.	TUBO (M)	TUBO (W)	R1	R2	L1	L2
0660371110	S-630-06-10M	6	1/4"	7/16"-20	M10x1	48,5	22,5
0660371120	S-630-08-12M	8	5/16"	1/2"-20	M12x1,5	58,5	27
0660371130	S-630-08-14M	8	5/16"	1/2"-20	M14x1,5	54	27
0660371140	S-630-10-14M	10	3/8"	9/16"-18	M14x1,5	58,5	27
0660371150	S-630-12-16M	12	1/2"	3/4"-16	M16x1,5	68	31,5
0660371160	S-630-12-18M	12	1/2"	3/4"-16	M18x1,5	68	31,5
0660371210	S-630-16-18M	14-15-16	5/8"	7/8"-14	M18x1,5	76	36,5
0660371220	S-630-16-22M	14-15-16	5/8"	7/8"-14	M22x1,5	79,5	36,5
0660371250	S-630-20-22M	18-20	3/4"	1"1/16-12	M22x1,5	87,5	42
0660371260	S-630-20-27M	18-20	3/4"	1"1/16-12	M27x2	91	42
0660371270	S-630-25-33M	25	1"	1"5/16-12	M33x2	98	46

“T” ORIENTABLE
JIC LATERAL
MÉTRICO (MACHO-
MACHO –MACHO
ORIENTABLE)

MALE STUD
BRANCH TEE (JIC-
JIC-METRIC)



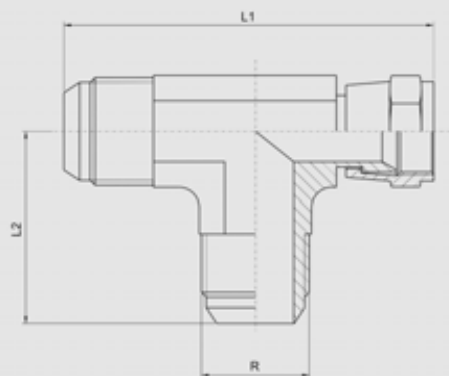
S-635

COD.	DESCRIP.	TUBO (M)	TUBO (W)	R1	R2	L1	L2
0660381110	S-635-06-10M	6	1/4"	7/16"-20	M10x1	45	26
0660381120	S-635-08-12M	8	5/16"	1/2"-20	M12x1,5	54	31,5
0660381140	S-635-10-14M	10	3/8"	9/16"-18	M14x1,5	54	31,5
0660381150	S-635-12-16M	12	1/2"	3/4"-16	M16x1,5	63	36,5
0660381160	S-635-12-18M	12	1/2"	3/4"-16	M18x1,5	63	36,5
0660381210	S-635-16-18M	14-15-16	5/8"	7/8"-14	M18x1,5	73	39,5
0660381220	S-635-16-22M	14-15-16	5/8"	7/8"-14	M22x1,5	73	43
0660381250	S-635-20-22M	18-20	3/4"	1"1/16-12	M22x1,5	84	45,5
0660381260	S-635-20-27M	18-20	3/4"	1"1/16-12	M27x2	84	49
0660381270	S-635-25-33M	25	1"	1"5/16-12	M33x2	92	52

“T” ORIENTABLE
JIC CENTRAL
MÉTRICO (MACHO-
MACHO ORIENTA-
BLE –MACHO)

MALE STUD
BRANCH TEE (JIC-
METRIC -JIC)

ADAPTADORES JIC JIC ADAPTORS



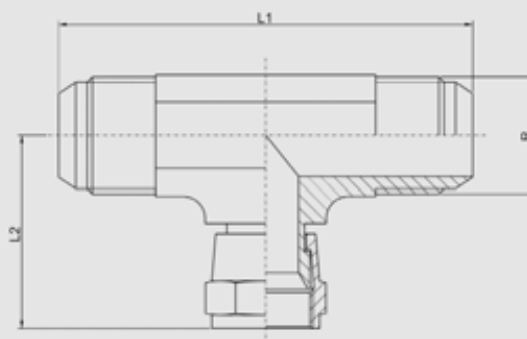
452

S-680

**“T” MACHO-MACHO-
HEMBRA GIRATO-
RIA LATERAL
(JIC-JIC-JIC)**

*SWIVEL NUT RUN
TEE (JIC-JIC-JIC)*

COD.	DESCRIP.	TUBO (M)	TUBO (W)	R	L1	L2
0660410010	S-680-06-TG	6	1/4"	7/16"-20	48,5	22,5
0660410020	S-680-08-TG	8	5/16"	1/2"-20	52	24
0660410030	S-680-10-TG	10	3/8"	9/16"-18	58	27
0660410040	S-680-12-TG	12	1/2"	3/4"-16	67	31,5
0660410070	S-680-16-TG	14-15-16	5/8"	7/8"-14	78,5	36,5
0660410090	S-680-20-TG	18-20	3/4"	1"1/16-12	87,5	42
0660410100	S-680-25-TG	25	1"	1"5/16-12	97,5	46
0660410120	S-680-32-TG	30-32	1"1/4	1"5/8-12	111,5	52,5
0660410130	S-680-38-TG	38	1"1/2	1"7/8-12	124,5	59



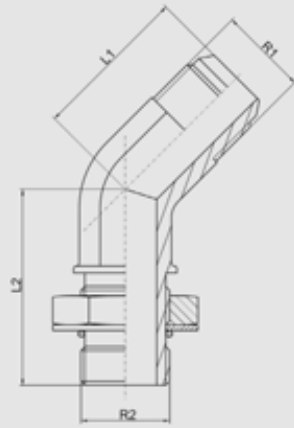
S-685

**“T” MACHO-HEM-
BRA GIRATORIA-
CENTRAL MACHO
(JIC-JIC-JIC)**

*SWIVEL NUT
BRANCH TEE (JIC-
JIC-JIC)*

COD.	DESCRIP.	TUBO (M)	TUBO (W)	R	L1	L2
0660420010	S-685-06-TG	6	1/4"	7/16"-20	45	26
0660420020	S-685-08-TG	8	5/16"	1/2"-20	48	28
0660420030	S-685-10-TG	10	3/8"	9/16"-18	54	31
0660420040	S-685-12-TG	12	1/2"	3/4"-16	63	35,5
0660420070	S-685-16-TG	14-15-16	5/8"	7/8"-14	73	42
0660420090	S-685-20-TG	18-20	3/4"	1"1/16-12	84	45,5
0660420100	S-685-25-TG	25	1"	1"5/16-12	92	51,5
0660420120	S-685-32-TG	30-32	1"1/4	1"5/8-12	105	59
0660420130	S-685-38-TG	38	1"1/2	1"7/8-12	118	65,5

ADAPTADORES JIC JIC ADAPTORS



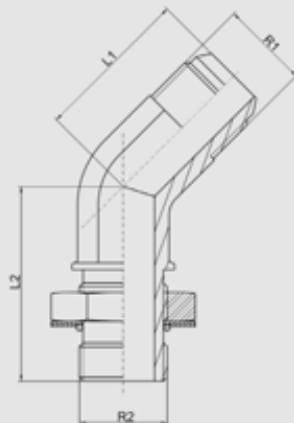
S-590

453

COD.	DESCRIP.	TUBO (M)	TUBO (W)	R1	R2	L1	L2
0660450760	S-590-06-11U	6	1/4"	7/16"-20	7/16"-20	18	26
0660450790	S-590-08-12U	8	5/16"	1/2"-20	1/2"-20	19,5	26,5
0660450800	S-590-10-14U	10	3/8"	9/16"-18	9/16"-18	21	29
0660450820	S-590-12-19U	12	1/2"	3/4"-16	3/4"-16	25	33
0660450830	S-590-12-22U	12	1/2"	3/4"-16	7/8"-14	25,5	38,5
0660450920	S-590-16-22U	14-15-16	5/8"	7/8"-14	7/8"-14	28	38,5
0660450990	S-590-20-22U	18-20	3/4"	1"1/16-12	7/8"-14	32,5	40,5
0660451000	S-590-20-27U	18-20	3/4"	1"1/16-12	1"1/16-12	32,5	44
0660451030	S-590-25-33U	25	1"	1"5/16-12	1"5/16-12	37	47

**CODO A 45°
MACHO-MACHO
ORIENTABLE (JIC-
UNF 2A)**

*45° MALE STUD
ELBOW (JIC-UNF 2A)*



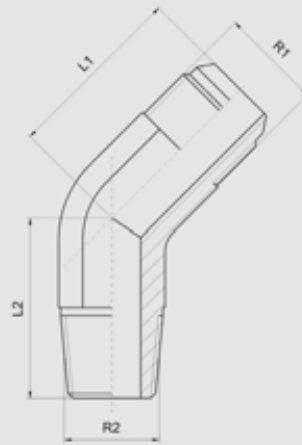
S-615

COD.	DESCRIP.	TUBO (M)	TUBO (W)	R1	R2	L1	L2
0660460350	S-615-06-10G	6	1/4"	7/16"-20	1/8"	18	26,5
0660460400	S-615-08-13G	8	5/16"	1/2"-20	1/4"	21	29
0660460420	S-615-10-13G	10	3/8"	9/16"-18	1/4"	21	29
0660460460	S-615-12-17G	12	1/2"	3/4"-16	3/8"	25	33
0660460470	S-615-12-21G	12	1/2"	3/4"-16	1/2"	25,5	38,5
0660460560	S-615-16-21G	14-15-16	5/8"	7/8"-14	1/2"	28	38,5
0660460610	S-615-20-21G	18-20	3/4"	1"1/16-12	1/2"	32,5	40,5
0660460620	S-615-20-26G	18-20	3/4"	1"1/16-12	3/4"	32,5	44
0660460650	S-615-25-33G	25	1"	1"5/16-12	1"	37	47

**CODO A 45° MACHO-
MACHO ORIENTA-
BLE (JIC-BSP)**

*MALE STUD ELBOW
(JIC-BSP)*

ADAPTADORES JIC JIC ADAPTORS



454

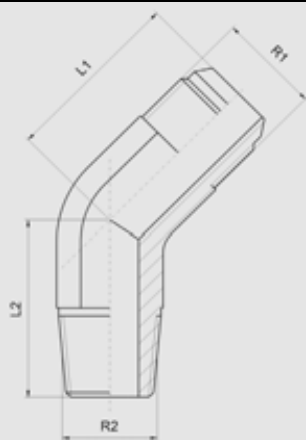
S-540

**CODO A 45° MACHO-
MACHO (JIC-NPT)**

*45° MALE STUD
ELBOW (JIC-NPT)*

COD.	DESCRIP.	TUBO (M)	TUBO (W)	R1	R2	L1	L2
0660430350	S-540-06-10N	6	1/4"	7/16"-20	1/8"	18	16
0660430360	S-540-06-13N	6	1/4"	7/16"-20	1/4"	21	21,5
0660430390	S-540-08-10N	8	5/16"	1/2"-20	1/8"	19,5	16
0660430400	S-540-08-13N	8	5/16"	1/2"-20	1/4"	21	21,5
0660430410	S-540-10-10N	10	3/8"	9/16"-18	1/8"	21	17,5
0660430420	S-540-10-13N	10	3/8"	9/16"-18	1/4"	21	21,5
0660430430	S-540-10-17N	10	3/8"	9/16"-18	3/8"	22	24
0660430450	S-540-12-13N	12	1/2"	3/4"-16	1/4"	25	24
0660430460	S-540-12-17N	12	1/2"	3/4"-16	3/8"	25	24
0660430470	S-540-12-21N	12	1/2"	3/4"-16	1/2"	25	29,5
0660430550	S-540-16-17N	14-15-16	5/8"	7/8"-14	3/8"	28	24,5
0660430560	S-540-16-21N	14-15-16	5/8"	7/8"-14	1/2"	28	29,5
0660430610	S-540-20-21N	18-20	3/4"	1"1/16-12	1/2"	32,5	30,5
0660430620	S-540-20-26N	18-20	3/4"	1"1/16-12	3/4"	32,5	30,5
0660430640	S-540-25-26N	25	1"	1"5/16-12	3/4"	37	32,5
0660430650	S-540-25-33N	25	1"	1"5/16-12	1"	37	37,5

ADAPTADORES JIC JIC ADAPTORS



S-565

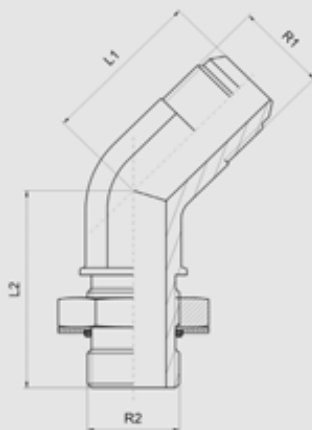
455

COD.	DESCRIP.	TUBO (M)	TUBO (W)	R1	R2	L1	L2
0660440350	S-565-06-10G	6	1/4"	7/16"-20	1/8"	18	16
0660440360	S-565-06-13G	6	1/4"	7/16"-20	1/4"	21	21,5
0660440390	S-565-08-10G	8	5/16"	1/2"-20	1/8"	19,5	16
0660440400	S-565-08-13G	8	5/16"	1/2"-20	1/4"	21	21,5
0660440420	S-565-10-13G	10	3/8"	9/16"-18	1/4"	21	21,5
0660440430	S-565-10-17G	10	3/8"	9/16"-18	3/8"	22	24
0660440440	S-565-10-21G	10	3/8"	9/16"-18	1/2"	22,5	29,5
0660440450	S-565-12-13G	12	1/2"	3/4"-16	1/4"	25	24
0660440460	S-565-12-17G	12	1/2"	3/4"-16	3/8"	25	24
0660440470	S-565-12-21G	12	1/2"	3/4"-16	1/2"	25	29,5
0660440550	S-565-16-17G	14-15-16	5/8"	7/8"-14	3/8"	28	24,5
0660440560	S-565-16-21G	14-15-16	5/8"	7/8"-14	1/2"	28	29,5
0660440610	S-565-20-21G	18-20	3/4"	1"1/16-12	1/2"	32,5	30,5
0660440620	S-565-20-26G	18-20	3/4"	1"1/16-12	3/4"	32,5	30,5
0660440640	S-565-25-26G	25	1"	1"5/16-12	3/4"	37	32,5
0660440650	S-565-25-33G	25	1"	1"5/16-12	1"	37	32,5

CODO A 45° MACHO-MACHO (JIC-BSPT)

45° MALE STUD ELBOW (JIC-BSPT)

ADAPTADORES JIC JIC ADAPTORS



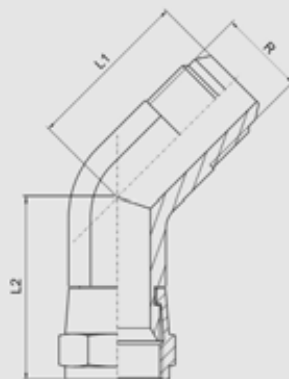
456

S-640

**CODO A 45° MACHO-
MACHO ORIENTA-
BLE (JIC-METRICO)**

*MALE STUD ELBOW
(JIC-METRIC)*

COD.	DESCRIP.	TUBO (M)	TUBO (W)	R1	R2	L1	L2
0660471110	S-640-06-10M	6	1/4"	7/16"-20	M10x1	18	26,5
0660471120	S-640-08-12M	8	5/16"	1/2"-20	M12x1,5	21	29
0660471130	S-640-08-14M	8	5/16"	1/2"-20	M14x1,5	21	29
0660471140	S-640-10-14M	10	3/8"	9/16"-18	M14x1,5	21	29
0660471150	S-640-12-16M	12	1/2"	3/4"-16	M16x1,5	25	33
0660471160	S-640-12-18M	12	1/2"	3/4"-16	M18x1,5	25	33
0660471210	S-640-16-18M	14-15-16	5/8"	7/8"-14	M18x1,5	28	35
0660471220	S-640-16-22M	14-15-16	5/8"	7/8"-14	M22x1,5	28	38,5
0660471250	S-640-20-22M	18-20	3/4"	1"1/16-12	M22x1,5	32,5	40,5
0660471260	S-640-20-27M	18-20	3/4"	1"1/16-12	M27x2	32,5	44
0660471270	S-640-25-33M	25	1"	1"5/16-12	M33x2	37	47



S-690

**CODO A 45°
MACHO-HEMBRA
GIRATORIA (JIC JIC)**

*45° SWIVEL NUT
ELBOW (JIC-JIC)*

COD.	DESCRIP.	TUBO (M)	TUBO (W)	R	L1	L2
0660490010	S-690-06-45G	6	1/4"	7/16"-20	18	24,5
0660490020	S-690-08-45G	8	5/16"	1/2"-20	19,5	26,5
0660490030	S-690-10-45G	10	3/8"	9/16"-18	21	28,5
0660490040	S-690-12-45G	12	1/2"	3/4"-16	25	32
0660490050	S-690-16-45G	14-15-16	5/8"	7/8"-14	28	37
0660490080	S-690-20-45G	18-20	3/4"	1"1/16-12	32,5	45,5
0660490100	S-690-25-45G	25	1"	1"5/16-12	37	45



ADAPTADORES ORFS

ORFS ADAPTORS

ADAPTADORES ORFS – ORFS ADAPTORS



TUERCAS Y FÉRULAS ORFS / ORFS NUTS AND SLEEVES



TAPONES ORFS / ORFS PLUGS



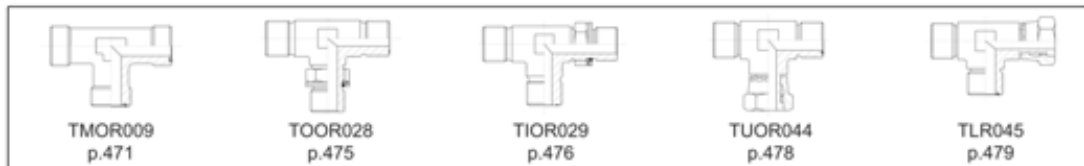
ADAPTADORES ORFS RECTOS / ORFS STRAIGHT ADAPTORS



CODOS 90° ORFS / ORFS 90° ELBOWS



TES ORFS / ORFS TEES



CRUZ ORFS / ORFS CROSSES



CODO 45° ORFS / ORFS 45° ELBOW



PASATABIQUES ORFS / ORFS BULKHEADS

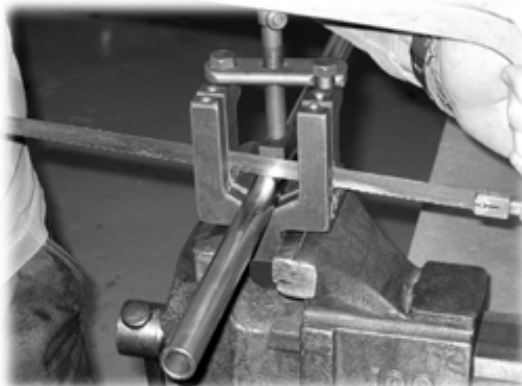
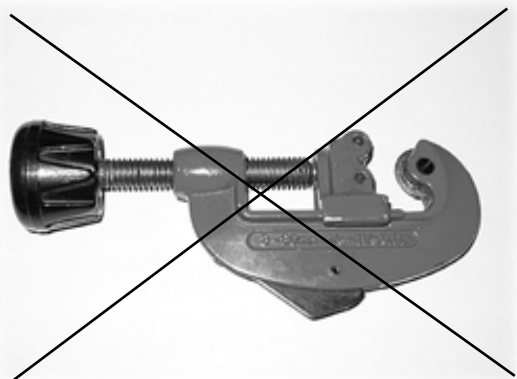


Montaje de adaptadores ISO 8434-3

Assembling adaptors ISO 8434-3

1.- Cortar el tubo a la longitud deseada a escuadra. (Importante: no se debe utilizar ningún cortador de tubos para realizar la operación)

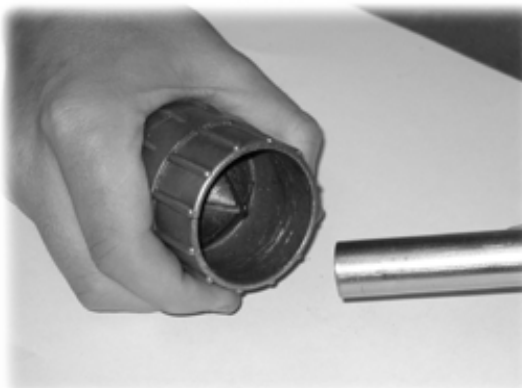
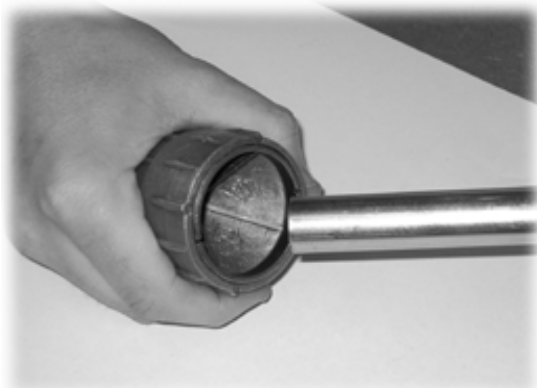
1.- Cut the pipe off square to the required length. (Important: no pipe cutters must be used in this operation).



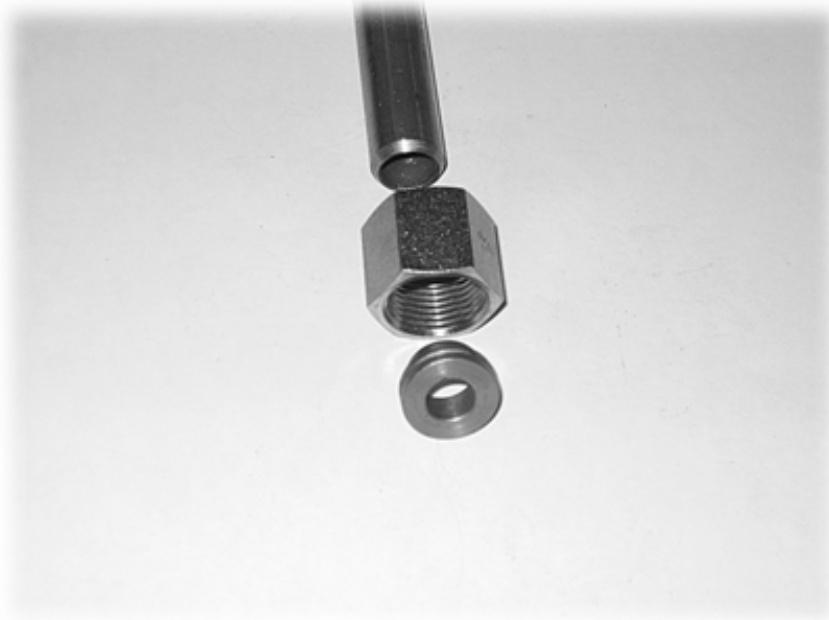
461

2.- Rebabado interior y exterior de los extremos de la tubería. Una vez realizada esta operación limpiar correctamente la tubería, eliminando posibles impurezas que pudiesen quedar en el circuito.

2.- Deburring the inside and outside at the ends of the pipe. After this is done, clean the pipe carefully to remove any particles that may remain in the pipe.



- 3.- Introducir la férula sobre el extremo del tubo. Acto seguido soldar la férula al tubo.
3.- Fit the ferrule over the end of the pipe. Next, weld the ferrule to the pipe.



462

- 4.- Apretar la tuerca con la mano hasta que se note que ha asentado. Apretar el tubo contra el tope del cono interior.
4.- Tighten the nut by hand until it grips. Tighten the pipe against the stop in the inner cone.

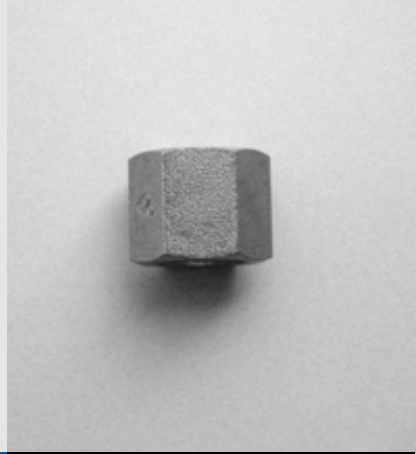
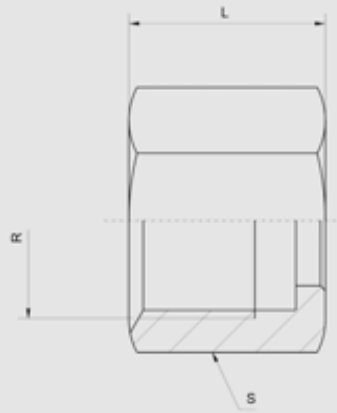


- 5.- A continuación, apretar la tuerca entre un cuarto de vuelta (1/4) y media vuelta (1/2). Durante esta operación el tubo no debe girar.
- 5.- Next, tighten the nut between a quarter of a turn (1/4) and half a turn (1/2). The pipe must not rotate during this operation.



463

ADAPTADORES ORFS ORFS ADAPTORS



STOR006

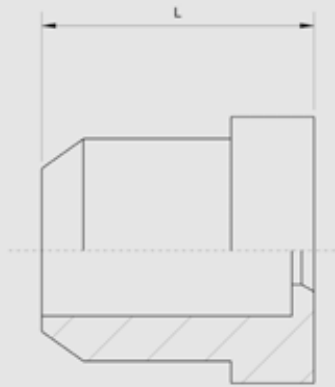
465



COD.	DESCRIP.	TUBO	TUBO	R	L	S
0680060200	STOR006	6	1/4"	9/16"-18	14,5	17
0680060210	STOR006	8-10	5/16"-3/8"	11/16"-16	17	22
0680060220	STOR006	12	1/2"	13/16"-16	20	24
0680060230	STOR006	14-15-16	5/8"	1"-14	24	30
0680060240	STOR006	18-20	3/4"	1"3/16-12	26,5	36
0680060250	STOR006	22-25	1"	1"7/16-12	27,5	41
0680060260	STOR006	28-30-32	1"1/4	1"11/16-12	27,5	50
0680060270	STOR006	35-38	1"1/2	2"-12	27,5	60

TUERCAS ORFS
ORFS NUT

ADAPTADORES ORFS ORFS ADAPTORS



466

SFOR000

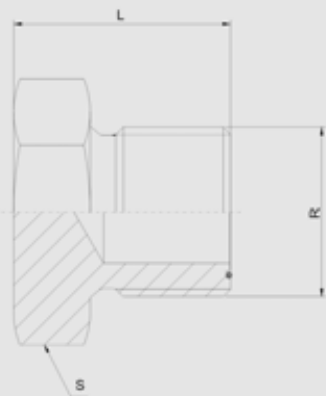


**FÉRULAS MÉTRICAS
DE SOLDAR ORFS**

*ORFS METRIC BUSH
AND SHOULDER*

COD.	DESCRIP.	TUBO	L
0680000010	SFOR000	6	9,5
0680000020	SFOR000	8	9,5
0680000030	SFOR000	10	9,5
0680000040	SFOR000	12	9,5
0680000050	SFOR000	14	10,5
0680000060	SFOR000	15	10,5
0680000070	SFOR000	16	10,5
0680000080	SFOR000	18	14
0680000090	SFOR000	20	14
0680000100	SFOR000	22	15,5
0680000110	SFOR000	25	15,5
0680000120	SFOR000	28	15,5
0680000130	SFOR000	30	15,5
0680000140	SFOR000	32	15,5
0680000150	SFOR000	35	15,5
0680000160	SFOR000	38	15,5

ADAPTADORES ORFS ORFS ADAPTORS



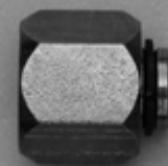
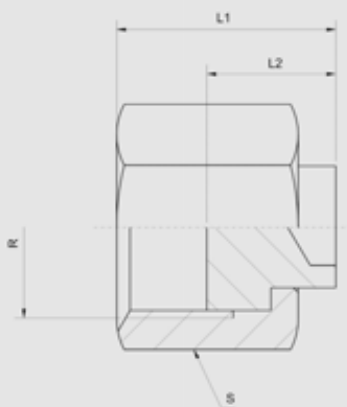
SMOR055

467

COD.	DESCRIP.	TUBO	TUBO	R	L	S
0680550480	SMOR055	6	1/4"	9/16"-18	16,5	17
0680550490	SMOR055	8-10	5/16"-3/8"	11/16"-16	19	19
0680550500	SMOR055	12	1/2"	13/16"-16	22	22
0680550510	SMOR055	14-15-16	5/8"	1"-14	26	27
0680550520	SMOR055	18-20	3/4"	1"3/16-12	27,5	32
0680550530	SMOR055	22-25	1"	1"7/16-12	28	41
0680550540	SMOR055	28-30-32	1"1/4	1"11/16-12	28	46
0680550550	SMOR055	35-38	1"1/2	2"-12	28	55

**TAPÓN MACHO
ORFS**

ORFS MALE PLUG



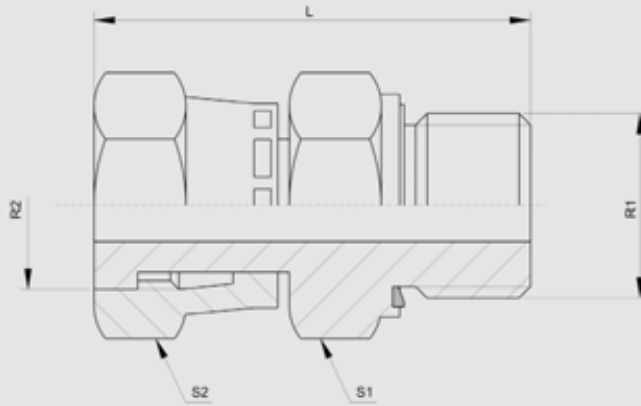
SHOR054

COD.	DESCRIPCION	TUBO	TUBO	R	L1	L2	S
0680540480	SHOR054	6	1/4"	9/16"-18	16,5	8,5	17
0680540490	SHOR054	8-10	5/16"-3/8"	11/16"-16	18	9,5	22
0680540500	SHOR054	12	1/2"	13/16"-16	22	12	24
0680540510	SHOR054	14-15-16	5/8"	1"-14	24,5	12	30
0680540520	SHOR054	18-20	3/4"	1"3/16-12	27	13,5	36
0680540530	SHOR054	22-25	1"	1"7/16-12	28,5	15	41
0680540540	SHOR054	28-30-32	1"1/4	1"11/16-12	28,5	15	50
0680540550	SHOR054	35-38	1"1/2	2"-12	28,5	15	60

**TAPÓN HEMBRA
ORFS**

*ORFS FEMALE
PLUG*

ADAPTADORES ORFS ORFS ADAPTORS



468

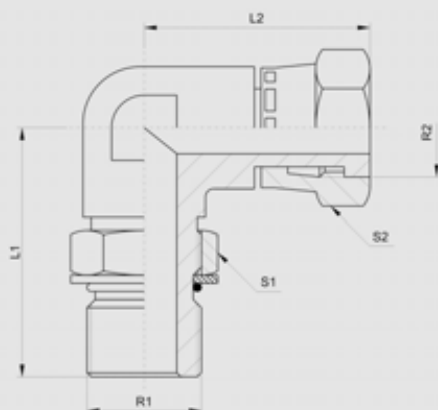
RGOR046

**RACOR RECTO
MACHO-HEMBRA
GIRATORIA ORFS
(BSP-UN/UNF-2A)**

*ORFS SWIVEL MALE
STUD (BSP-UN/UNF-
2A)*

COD.	DESCRIP.	TUBO	TUBO	R1	R2	L	S1	S2
0680461440	RGOR046	6	1/4"	1/8"-28	9/16"-18	34	14	19
0680461450	RGOR046	6	1/4"	1/4"-19	9/16"-18	38	19	19
0680461480	RGOR046	8-10	5/16"-3/8"	1/4"-19	11/16"-16	41	19	22
0680461500	RGOR046	8-10	5/16-3/8"	3/8"-19	11/16"-16	40	22	22
0680461530	RGOR046	12	1/2"	3/8"-19	13/16"-16	48	22	24
0680461550	RGOR046	12	1/2"	1/2"-14	13/16"-16	49,5	27	24
0680461570	RGOR046	14-15-16	5/8"	1/2"-14	1"-14	52	27	30
0680461610	RGOR046	18-20	3/4"	3/4"-14	1"3/16-12	57,4	32	36
0680461650	RGOR046	22-25	1"	1"-11	1"7/16-12	67	41	46
0680461710	RGOR046	28-30-32	1"1/4	1"1/4-11	1"11/16-12	69	50	50
0680461730	RGOR046	35-38	1"1/2	1"1/2-11	2"-12	72	55	60

ADAPTADORES ORFS ORFS ADAPTORS



EGOR041

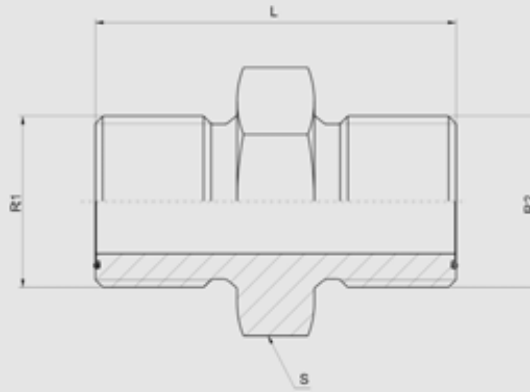
469

COD.	DESCRIP.	TUBO	TUBO	R1	R2	L1	L2	S1	S2
0680410600	EGOR041	6	1/4"	7/16"-20	9/16"-18	26,5	33	14	14
0680410610	EGOR041	8-10	5/16"-3/8"	9/16"-18	11/16"-16	29,5	36,8	19	19
0680410620	EGOR041	12	1/2"	3/4"-16	13/16"-16	38	40,6	24	19
0680410630	EGOR041	14-15-16	5/8"	7/8"-14	1"-14	41	50	27	27
0680410640	EGOR041	18-20	3/4"	1"1/16-12	1"3/16-12	46,5	55	32	30
0680410650	EGOR041	22-25	1"	1"5/16-12	1"7/16-12	53,5	59,7	38	36
0680410660	EGOR041	28-30-32	1"1/4	1"5/8-12	1"11/16-12	58	62,3	50	41

**RACOR CODO A 90°
MACHO ORIENTABLE
-HEMBRA GIRATORIA
ORFS (UN/UNF-2A-
UN/UNF-2A)**

**ORFS SWIVEL NUT
STUD ELBOW
(UN/UNF-2A-
UN/UNF-2A)**

ADAPTADORES ORFS ORFS ADAPTORS



470

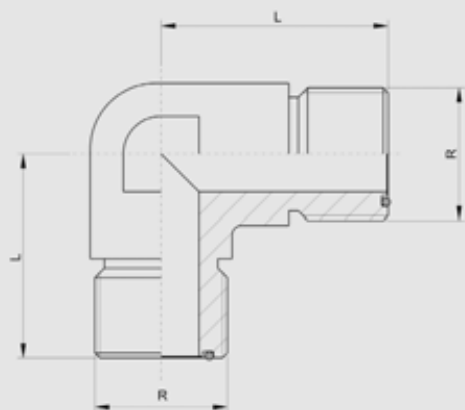
RMOR007

**RACOR RECTO
MACHO – MACHO
ORFS**

ORFS UNION

COD.	DESCRIPCION	TUBO	TUBO	R1	R2	L	S
0680070300	RMOR007	6	1/4"	9/16"-18	9/16"-18	27,5	17
0680070310	RMOR007	8-10	5/16"-3/8"	11/16"-16	11/16"-16	31	19
0680070320	RMOR007	10-6	3/8"-1/4"	11/16"-16	9/16"-18	29,5	19
0680070340	RMOR007	12-10	1/2"-3/8"	13/16"-16	11/16"-16	34	22
0680070330	RMOR007	12	1/2"	13/16"-16	13/16"-16	35,5	22
0680070350	RMOR007	14-15-16	5/8"	1"-14	1"-14	42,5	27
0680070360	RMOR007	16-12	5/8"-1/2"	1"-14	13/16"-16	40	27
0680070370	RMOR007	18-20	3/4"	1"3/16-12	1"3/16-12	47	32
0680070380	RMOR007	20-16	3/4"-5/8"	1"3/16-12	1"-14	45,5	32
0680070390	RMOR007	22-25	1"	1"7/16-12	1"7/16-12	49,5	41
0680070400	RMOR007	25-18-20	1"-3/4"	1"7/16-12	1"3/16-12	49,5	41
0680070410	RMOR007	28-30-32	1"1/4	1"11/16-12	1"11/16-12	51,5	46
0680070430	RMOR007	35-38	1"1/2	2"-12	2"-12	53	55

ADAPTADORES ORFS ORFS ADAPTORS



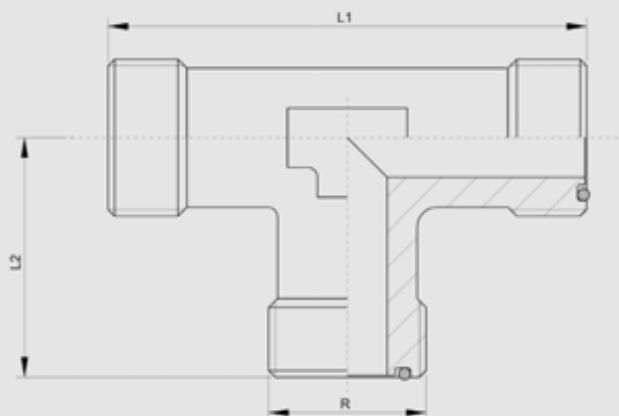
EMOR008

471

COD.	DESCRIP.	TUBO	TUBO	R	L
0680080480	EMOR008	6	1/4"	9/16"-18	21,5
0680080490	EMOR008	8-10	5/16"-3/8"	11/16"-16	25
0680080500	EMOR008	12	1/2"	13/16"-16	28
0680080510	EMOR008	14-15-16	5/8"	1"-14	33,5
0680080520	EMOR008	18-20	3/4"	1"3/16-12	37,5
0680080530	EMOR008	22-25	1"	1"7/16-12	41,5
0680080540	EMOR008	28-30-32	1"1/4	1"11/16-12	44,5
0680080550	EMOR008	35-38	1"1/2	2"-12	49

**RACOR A 90°
MACHO - MACHO
ORFS**

ORFS ELBOW



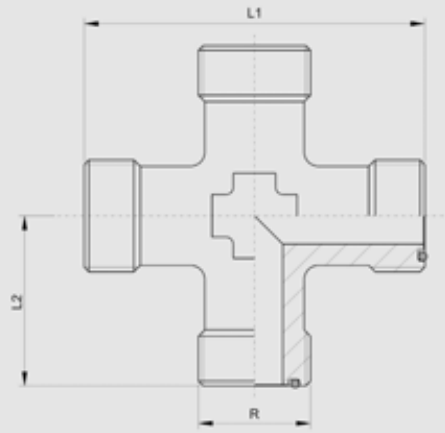
TMOR009

COD.	DESCRIP.	TUBO	TUBO	R	L1	L2
0680090480	TMOR009	6	1/4"	9/16"-18	43	21,5
0680090490	TMOR009	8-10	5/16"-3/8"	11/16"-16	50	25
0680090500	TMOR009	12	1/2"	13/16"-16	56	28
0680090510	TMOR009	14-15-16	5/8"	1"-14	67	33,5
0680090520	TMOR009	18-20	3/4"	1"3/16-12	75	37,5
0680090530	TMOR009	22-25	1"	1"7/16-12	83	41,5
0680090540	TMOR009	28-30-32	1"1/4	1"11/16-12	89	44,5
0680090550	TMOR009	35-38	1"1/2	2"-12	98	49

**RACOR EN "T"
MACHO - MACHO -
MACHO ORFS**

ORFS UNION TEE

ADAPTADORES ORFS ORFS ADAPTORS



472

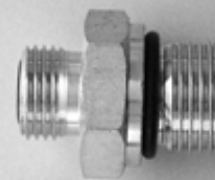
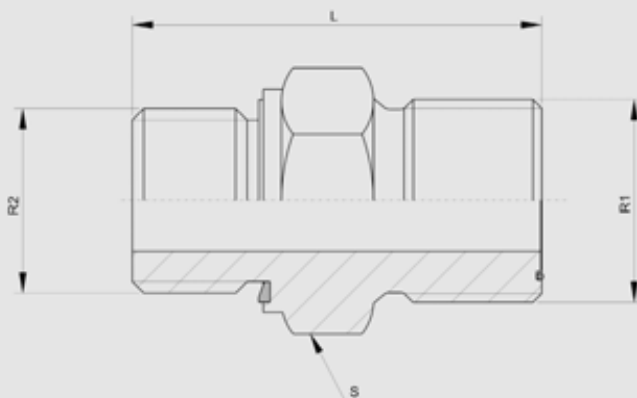
XMOR010

**RACOR EN CRUZ
MACHO - MACHO -
MACHO - MACHO
ORFS**

*ORFS UNION
CROSS*

COD.	DESCRIP.	TUBO	TUBO	R	L1	L2
0680100480	XMOR010	6	1/4"	9/16"-18	43	21,5
0680100490	XMOR010	8-10	5/16"-3/8"	11/16"-16	50	25
0680100500	XMOR010	12	1/2"	13/16"-16	56	28
0680100510	XMOR010	14-15-16	5/8"	1"-14	67	33,5
0680100520	XMOR010	18-20	3/4"	1"3/16-12	75	37,5
0680100530	XMOR010	22-25	1"	1"7/16-12	83	41,5
0680100540	XMOR010	28-30-32	1"1/4	1"11/16-12	89	44,5
0680100550	XMOR010	35-38	1"1/2	2"-12	98	49

ADAPTADORES ORFS ORFS ADAPTORS



RJOR025

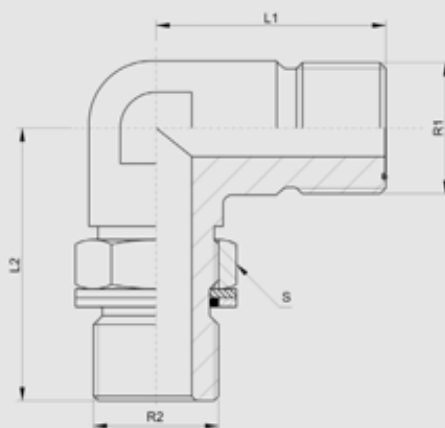
473

COD.	DESCRIPCION	TUBO	TUBO	R1	R2	L	S1
0680251440	RJOR025	6	1/4"	9/16"-18	1/8"-28	25,5	17
0680251450	RJOR025	6	1/4"	9/16"-18	1/4"-19	30,5	19
0680251460	RJOR025	6	1/4"	9/16"-18	3/8"-19	31,5	22
0680251470	RJOR025	6	1/4"	9/16"-18	1/2"-14	35,5	27
0680251490	RJOR025	8-10	5/16"-3/8"	11/16"-16	1/8"-28	31	19
0680251480	RJOR025	8-10	5/16"-3/8"	11/16"-16	1/4"-19	32	19
0680251500	RJOR025	8-10	5/16"-3/8"	11/16"-16	3/8"-19	33	22
0680251510	RJOR025	8-10	5/16"-3/8"	11/16"-16	1/2"-14	37	27
0680251520	RJOR025	8-10	5/16"-3/8"	11/16"-16	3/4"-14	40,5	32
0680251540	RJOR025	12	1/2"	13/16"-16	1/4"-19	34,5	22
0680251530	RJOR025	12	1/2"	13/16"-16	3/8"-19	34,5	22
0680251550	RJOR025	12	1/2"	13/16"-16	1/2"-14	38,5	27
0680251560	RJOR025	12	1/2"	13/16"-16	3/4"-14	42	32
0680251580	RJOR025	14-15-16	5/8"	1"-14	3/8"-19	43	27
0680251570	RJOR025	14-15-16	5/8"	1"-14	1/2"-14	41	27
0680251590	RJOR025	14-15-16	5/8"	1"-14	3/4"-14	44,5	32
0680251600	RJOR025	14-15-16	5/8"	1"-14	1"-11	48	41
0680251620	RJOR025	18-20	3/4"	1"3/16-12	1/2"-14	48,5	32
0680251610	RJOR025	18-20	3/4"	1"3/16-12	3/4"-14	46	32
0680251630	RJOR025	18-20	3/4"	1"3/16-12	1"-11	49	41
0680251640	RJOR025	18-20	3/4"	1"3/16-12	1"1/4-11	53,5	50
0680251670	RJOR025	22-25	1"	1"7/16-12	3/4"-14	52	41
0680251650	RJOR025	22-25	1"	1"7/16-12	1"-11	50	41
0680251680	RJOR025	22-25	1"	1"7/16-12	1"1/4-11	54	50
0680251690	RJOR025	22-25	1"	1"7/16-12	1"1/2-11	57,5	55
0680251710	RJOR025	28-30-32	1"1/4	1"11/16-12	1"-11	57,5	46
0680251700	RJOR025	28-30-32	1"1/4	1"11/16-12	1"1/4-11	54	50
0680251720	RJOR025	28-30-32	1"1/4	1"11/16-12	1"1/2-11	57,5	50
0680251730	RJOR025	35-38	1"1/2	2"-12	1"1/2-11	57,5	55

**RACOR RECTO
MACHO-MACHO
ORFS (UN/UNF-2A
-BSP)**

**ORFS MALE STUD
CONNECTOR
(UN/UNF-2A BSP)**

ADAPTADORES ORFS ORFS ADAPTORS



474

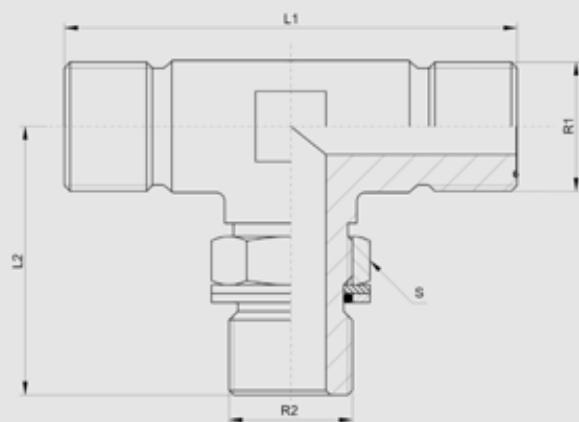
E0OR026

**RACOR A 90°
MACHO-MACHO
ORIENTABLE ORFS
(UN/UNF-2A -BSP)**

*ORFS MALE STUD
ELBOW (UN/UNF-2A-
BSP)*

COD.	DESCRIP.	TUBO	TUBO	R1	R2	L1	L2	S
0680261440	E0OR026	6	1/4"	9/16"-18	1/8"-28	21,5	30,2	14
0680261450	E0OR026	6	1/4"	9/16"-18	1/4"-19	23,5	33,5	14
0680261460	E0OR026	6	1/4"	9/16"-18	3/8"-19	23,5	38	19
0680261480	E0OR026	8-10	5/16"-3/8"	11/16"-16	1/4"-19	25	35,5	19
0680261500	E0OR026	8-10	5/16"-3/8"	11/16"-16	3/8"-19	26,5	38	19
0680261510	E0OR026	8-10	5/16"-3/8"	11/16"-16	1/2"-14	29,5	48,6	27
0680261540	E0OR026	12	1/2"	13/16"-16	1/4"-19	28	35,5	19
0680261530	E0OR026	12	1/2"	13/16"-16	3/8"-19	28	38	19
0680261550	E0OR026	12	1/2"	13/16"-16	1/2"-14	30,8	48,6	27
0680261560	E0OR026	12	1/2"	13/16"-16	3/4"-14	33,5	51,4	30
0680261580	E0OR026	14-15-16	5/8"	1"-14	3/8"-19	33,5	40,7	27
0680261570	E0OR026	14-15-16	5/8"	1"-14	1/2"-14	33,5	48,7	27
0680261590	E0OR026	14-15-16	5/8"	1"-14	3/4"-14	35,8	51,4	30
0680261600	E0OR026	14-15-16	5/8"	1"-14	1"-11	39,7	58,4	36
0680261620	E0OR026	18-20	3/4"	1"3/16-12	1/2"-14	37,5	49,5	30
0680261610	E0OR026	18-20	3/4"	1"3/16-12	3/4"-14	37,5	51,4	30
0680261630	E0OR026	18-20	3/4"	1"3/16-12	1"-11	41,2	58,4	36
0680261670	E0OR026	22-25	1"	1"7/16-12	3/4"-14	44,5	55,9	36
0680261650	E0OR026	22-25	1"	1"7/16-12	1"-11	41,5	58,4	36
0680261680	E0OR026	22-25	1"	1"7/16-12	1"1/4-11	44,5	60,9	41
0680261710	E0OR026	28-30-32	1"1/4	1"11/16-12	1"-11	44,5	60,9	41
0680261700	E0OR026	28-30-32	1"1/4	1"11/16-12	1"1/4-11	44,5	60,9	41
0680261720	E0OR026	28-30-32	1"1/4	1"11/16-12	1"1/2-11	49	64,7	48
0680261730	E0OR026	35-38	1"1/2	2"-12	1"1/2-11	49	64,7	48

ADAPTADORES ORFS ORFS ADAPTORS



TOOR028

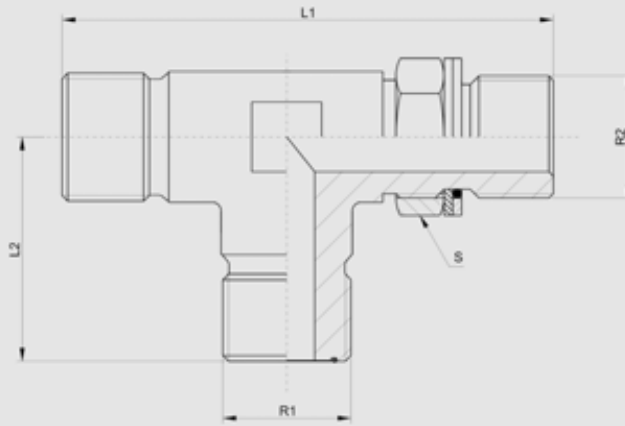
475

COD.	DESCRIP.	TUBO	TUBO	R1	R2	L1	L2	S
0680281440	TOOR028	6	1/4"	9/16"-18	1/8"-28	43	30,2	14
0680281450	TOOR028	6	1/4"	9/16"-18	1/4"-19	47	36	19
0680281480	TOOR028	8-10	5/16"-3/8"	11/16"-16	1/4"-19	50	36	19
0680281500	TOOR028	8-10	5/16"-3/8"	11/16"-16	3/8"-19	53	38	22
0680281530	TOOR028	12	1/2"	13/16"-16	3/8"-19	56	38	22
0680281550	TOOR028	12	1/2"	13/16"-16	1/2"-14	56	38	27
0680281570	TOOR028	14-15-16	5/8"	1"-14	1/2"-14	67	48,6	27
0680281590	TOOR028	14-15-16	5/8"	1"-14	3/4"-14	71,6	51,5	36
0680281610	TOOR028	18-20	3/4"	1"3/16-12	3/4"-14	75	51,5	36
0680281650	TOOR028	22-25	1"	1"7/16-12	1"-11	83	58,4	41
0680281700	TOOR028	28-30-32	1"1/4	1"11/16-12	1"1/4-11	85	61	50
0680281730	TOOR028	35-38	1"1/2	2"-12	1"1/2-11	98	65	55

**RACOR EN "T"
MACHO-MACHO
ORIENTABLE –
MACHO ORFS
(UN/UNF-2A -BSP-
UN/UNF-2A)**

*ORFS MALE STUD
BRANCH TEE
(UN/UNF-2A –BSP-
UN/UNF-2A)*

ADAPTADORES ORFS ORFS ADAPTORS



476

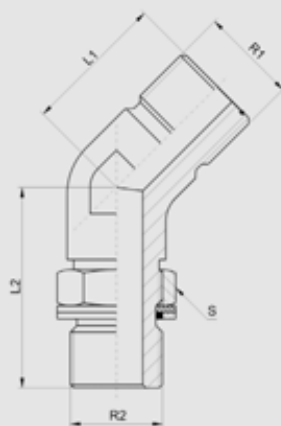
TIOR029

**RACOR EN "T"
MACHO-MACHO –
MACHO ORIENTABLE
ORFS (UN/UNF-2A -
UN/UNF-2A – BSP)**

*ORFS MALE STUD
RUN TEE (UN/UNF-2A
- UN/UNF-2A – BSP)*

COD.	DESCRIP.	TUBO	TUBO	R1	R2	L1	L2	S
0680291440	TIOR029	6	1/4"	9/16"-18	1/8"-28	51,5	21,5	14
0680291450	TIOR029	6	1/4"	9/16"-18	1/4"-19	59,5	23,5	19
0680291480	TIOR029	8-10	5/16"-3/8"	11/16"-16	1/4"-19	61	25	19
0680291500	TIOR029	8-10	5/16"-3/8"	11/16"-16	3/8"-19	64,5	26,5	19
0680291570	TIOR029	14-15-16	5/8"	1"-14	1/2"-14	82	33,5	27
0680291590	TIOR029	14-15-16	5/8"	1"-14	3/4"-14	87,5	36	30
0680291610	TIOR029	18-20	3/4"	1"3/16-12	3/4"-14	89	37,5	30
0680291630	TIOR029	18-20	3/4"	1"3/16-12	1"-11	100	41,5	36
0680291650	TIOR029	22-25	1"	1"7/16-12	1"-11	100	42	41
0680291700	TIOR029	28-30-32	1"1/4	1"11/16-12	1"1/4-11	106	45	50
0680291730	TIOR029	35-38	1"1/2	2"-12	1"1/2-11	114	49	55

ADAPTADORES ORFS ORFS ADAPTORS



COOR027

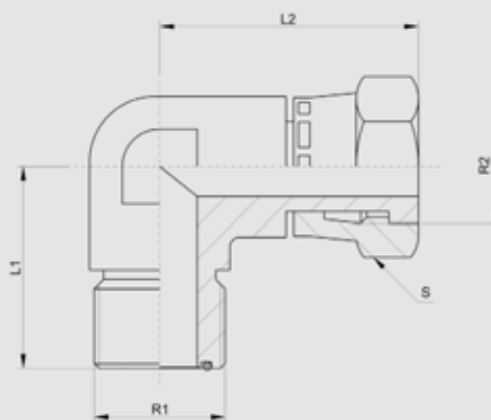
477

COD.	DESCRIP.	TUBO	TUBO	R1	R2	L1	L2	S
0680271440	COOR027	6	1/4"	9/16"-18	1/8"-28	16	27,5	14
0680271450	COOR027	6	1/4"	9/16"-18	1/4"-19	16	30	19
0680271480	COOR027	8-10	5/16"-3/8"	11/16"-16	1/4"-19	18	32	19
0680271500	COOR027	8-10	5/16"-3/8"	11/16"-16	3/8"-19	18	33,5	19
0680271510	COOR027	8-10	5/16"-3/8"	11/16"-16	1/2"-14	19,5	43,5	27
0680271530	COOR027	12	1/2"	13/16"-16	3/8"-19	20,5	33,5	19
0680271570	COOR027	14-15-16	5/8"	1"-14	1/2"-14	23,5	43,5	27
0680271590	COOR027	14-15-16	5/8"	1"-14	3/4"-14	24,5	46,5	30
0680271610	COOR027	18-20	3/4"	1"3/16-12	3/4"-14	26	46,5	30
0680271630	COOR027	18-20	3/4"	1"3/16-12	1"-11	29,5	51	36
0680271650	COOR027	22-25	1"	1"7/16-12	1"-11	30	51	41
0680271700	COOR027	28-30-32	1"1/4	1"11/16-12	1"1/4-11	32	51,5	41
0680271730	COOR027	35-38	1"1/2	2"-12	1"1/2-11	37	52,5	50

**RACOR A 45°
MACHO - MACHO
ORIENTABLE ORFS
(UN/UNF-2A - BSP)**

**ORFS 45° MALE
STUD ELBOW
(UN/UNF-2A - BSP)**

ADAPTADORES ORFS ORFS ADAPTORS



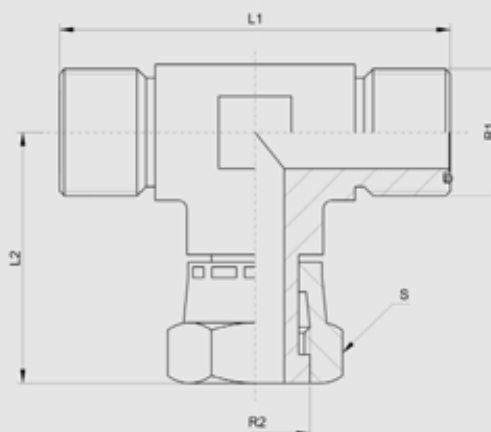
478

EIOR042

**RACOR A 90°
MACHO – HEMBRA
GIRATORIA ORFS
(UN/UNF-2A -
UN/UNF-2A)**

*ORFS SWIVEL NUT
ELBOW*

COD.	DESCRIP.	TUBO	TUBO	R1	R2	L1	L2	S
0680420300	EIOR042	6	1/4"	9/16"-18	9/16"-18	22	26	17
0680420310	EIOR042	8-10	5/16"-3/8"	11/16"-16	11/16"-16	25	29,5	22
0680420330	EIOR042	12	1/2"	13/16"-16	13/16"-16	28	38	24
0680420350	EIOR042	14-15-16	5/8"	1"-14	1"-14	33,5	41	30
0680420370	EIOR042	18-20	3/4"	1"3/16-12	1"3/16-12	37,5	46,5	36
0680420390	EIOR042	22-25	1"	1"7/16-12	1"7/16-12	41,5	53,5	41
0680420410	EIOR042	28-30-32	1"1/4	1"11/16-12	1"11/16-12	44,5	58	50
0680420430	EIOR042	35-38	1"1/2	2"-12	2"-12	49	61	60



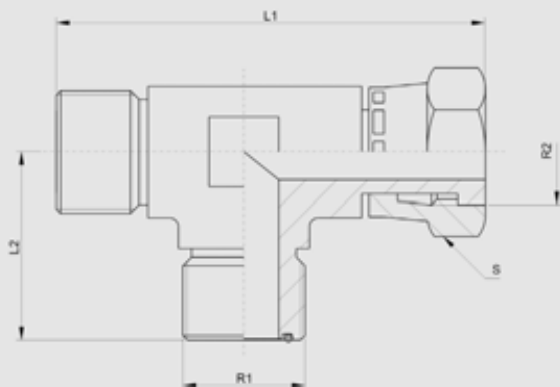
TUOR044

**RACOR EN "T" CENTRAL
MACHO – HEMBRA
GIRATORIA -
MACHO ORFS
(UN/UNF-2A - UN/UNF-
2A - UN/UNF-2A)**

*ORFS SWIVEL NUT
BRANCH TEE
(UN/UNF-2A - UN/UNF-
2A - UN/UNF-2A)*

COD.	DESCRIP.	TUBO	TUBO	R1	R2	L1	L2	S
0680440300	TUOR044	6	1/4"	9/16"-18	9/16"-18	43	26,5	14
0680440310	TUOR044	8-10	5/16"-3/8"	11/16"-16	11/16"-16	50	29,5	19
0680440330	TUOR044	12	1/2"	13/16"-16	13/16"-16	56	38	24
0680440350	TUOR044	14-15-16	5/8"	1"-14	1"-14	67	41	27
0680440370	TUOR044	18-20	3/4"	1"3/16-12	1"3/16-12	75	46,5	32
0680440390	TUOR044	22-25	1"	1"7/16-12	1"7/16-12	83	53	38
0680440410	TUOR044	28-30-32	1"1/4	1"11/16-12	1"11/16-12	89	58	50
0680440430	TUOR044	35-38	1"1/2	2"-12	2"-12	98	61	55

ADAPTADORES ORFS ORFS ADAPTORS



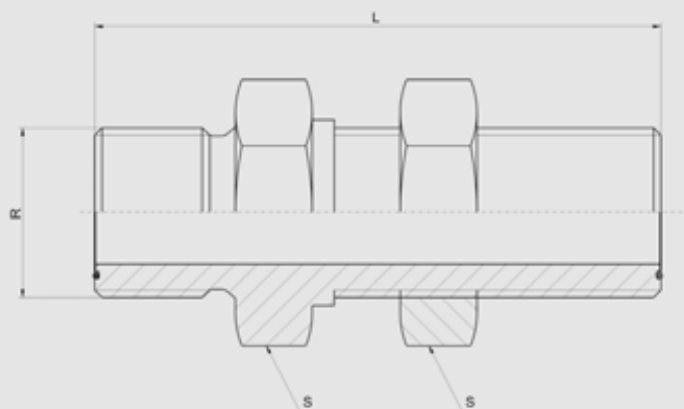
TLR045

479

COD.	DESCRIP.	TUBO	TUBO	R1	R2	L1	L2	S
0680450300	TLOR045	6	1/4"	9/16"-18	9/16"-18	48	21,5	14
0680450310	TLOR045	8-10	5/16"-3/8"	11/16"-16	11/16"-16	54,5	25	19
0680450330	TLOR045	12	1/2"	13/16"-16	13/16"-16	66	28	24
0680450350	TLOR045	14-15-16	5/8"	1"-14	1"-14	74,5	33,5	27
0680450370	TLOR045	18-20	3/4"	1"3/16-12	1"3/16-12	84	37,5	32
0680450390	TLOR045	22-25	1"	1"7/16-12	1"7/16-12	95	41,5	38
0680450410	TLOR045	28-30-32	1"1/4	1"11/16-12	1"11/16-12	103	45	50
0680450430	TLOR045	35-38	1"1/2	2"-12	2"-12	110	49	55

RACOR EN "T" LATERAL MACHO - MACHO - HEMBRA GIRATORIA ORFS (UN/UNF-2A - UN/UNF-2A - UN/UNF-2A)

ORFS SWIVEL NUT RUN TEE (UN/UNF-2A - UN/UNF-2A - UN/UNF-2A)



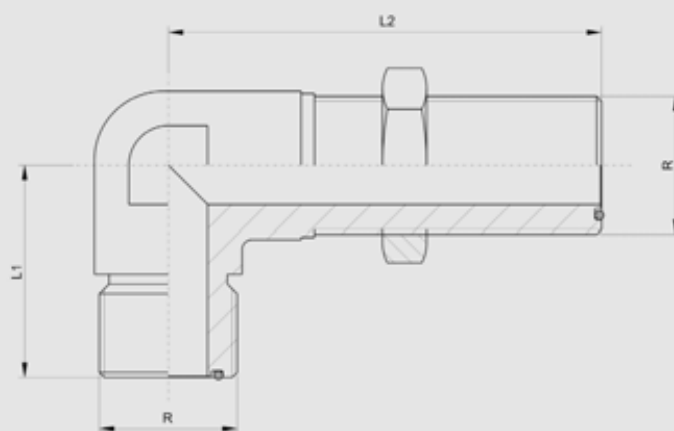
PROR011

COD.	DESCRIP.	TUBO	TUBO	R	L	S
0680110480	PROR011	6	1/4"	9/16"-18	48	22
0680110490	PROR011	8-10	5/16"-3/8"	11/16"-16	53	27
0680110500	PROR011	12	1/2"	13/16"-16	58,5	30
0680110510	PROR011	14-15-16	5/8"	1"-14	66,5	36
0680110520	PROR011	18-20	3/4"	1"3/16-12	70	41
0680110530	PROR011	22-25	1"	1"7/16-12	70	46
0680110540	PROR011	28-30-32	1"1/4	1"11/16-12	70	50
0680110550	PROR011	35-38	1"1/2	2"-12	70	60

RACOR PASATABI-QUE ORFS

ORFS BULKHEAD UNION

ADAPTADORES ORFS ORFS ADAPTORS



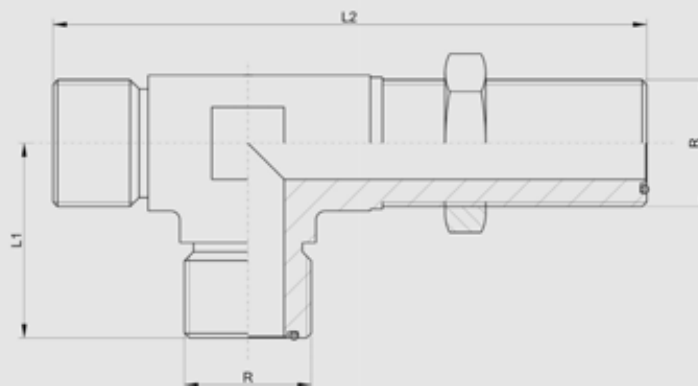
480

PCOR012

RACOR A 90° PASA-TABIQUE ORFS

ORFS BULKHEAD UNION ELBOW

COD.	DESCRIP.	TUBO	TUBO	R	L1	L2
0680120480	PCOR012	6	1/4"	9/16"-18	22,5	47
0680120490	PCOR012	8-10	5/16"-3/8"	11/16"-16	26	52
0680120500	PCOR012	12	1/2"	13/16"-16	29	55,5
0680120510	PCOR012	14-15-16	5/8"	1"-14	34,5	63
0680120520	PCOR012	18-20	3/4"	1"3/16-12	38,5	67
0680120530	PCOR012	22-25	1"	1"7/16-12	42,5	71
0680120540	PCOR012	28-30-32	1"1/4	1"11/16-12	45,5	75,5
0680120550	PCOR012	35-38	1"1/2	2"-12	49,5	79,5



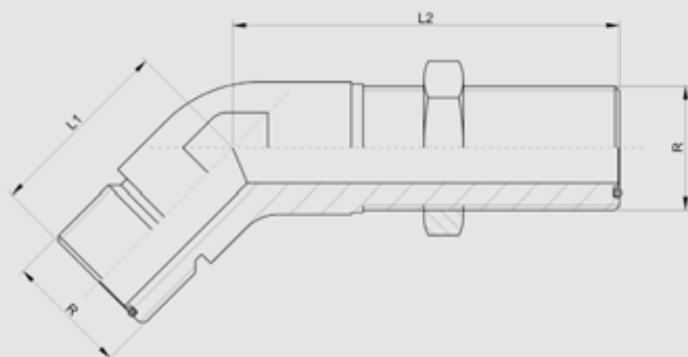
PTOR013

RACOR EN "T" PASATABIQUE ORFS

ORFS BULKHEAD RUN TEE

COD.	DESCRIP.	TUBO	TUBO	R	L1	L2
0680130480	PTOR013	6	1/4"	9/16"-18	23	69
0680130490	PTOR013	8-10	5/16"-3/8"	11/16"-16	26	78
0680130500	PTOR013	12	1/2"	13/16"-16	29	84,5
0680130510	PTOR013	14-15-16	5/8"	1"-14	34,5	97,5
0680130520	PTOR013	18-20	3/4"	1"3/16-12	38,5	105,5
0680130530	PTOR013	22-25	1"	1"7/16-12	42,5	113,5
0680130540	PTOR013	28-30-32	1"1/4	1"11/16-12	45,5	121
0680130550	PTOR013	35-38	1"1/2	2"-12	49,5	129

ADAPTADORES ORFS ORFS ADAPTORS



PGOR016

481

COD.	DESCRIP.	TUBO	TUBO	R1	L1	L2
0680160480	PGOR016	6	1/4"	9/16"-18	16	44
0680160490	PGOR016	8-10	5/16"-3/8"	11/16"-16	19	48,5
0680160500	PGOR016	12	1/2"	13/16"-16	20,5	51
0680160510	PGOR016	14-15-16	5/8"	1"-14	23,5	56,5
0680160520	PGOR016	18-20	3/4"	1"3/16-12	26	60,5
0680160530	PGOR016	22-25	1"	1"7/16-12	30	65
0680160540	PGOR016	28-30-32	1"1/4	1"11/16-12	32	67
0680160550	PGOR016	35-38	1"1/2	2"-12	37	67

RACOR A 45° PASA-TABIQUE ORFS

ORFS BULKHEAD UNION 45° ELBOW



METALAL

PROTECCIONES

PROTECTIONS

PROTECCIONES – PROTECTIONS

ELEMENTOS DE SEGURIDAD / SAFETY ELEMENTS



STOPFS
p.487



STOPFUDIN
p.488

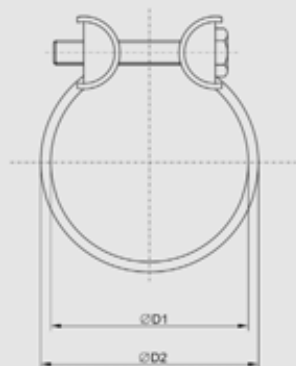


STOPFUSAE
p.489



STOPFUVARIE
p.490

PROTECCIONES PROTECTIONS



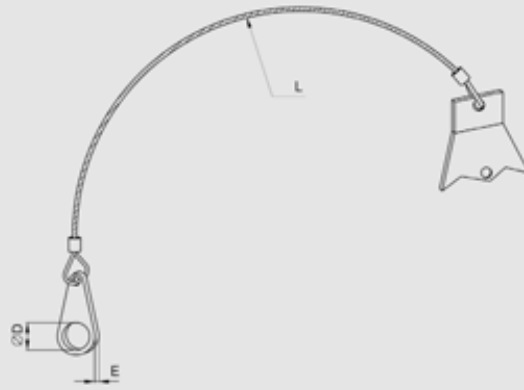
487

COD.	DN	ØD1 MAX.	ØD2 MAX.
0450950020	STOPFS 2224	18	20
0450950030	STOPFS 2527	21	23
0450950040	STOPFS 2830	24	26
0450950050	STOPFS 3133	27	29
0450950060	STOPFS 3436	30	32
0450950170	STOPFS 3739	33	35
0450950070	STOPFS 4043	36	39
0450950080	STOPFS 4447	40	43
0450950090	STOPFS 4851	44	47
0450950100	STOPFS2 4851	44	47
0450950110	STOPFS 5255	48	51
0450950120	STOPFS 5660	52	56
0450950130	STOPFS 6165	57	61
0450950140	STOPFS 6670	62	66
0450950150	STOPFS 7177	67	73
0450950160	STOPFS 7682	72	78

ABRAZADERAS

HOSE BANDS

PROTECCIONES PROTECTIONS



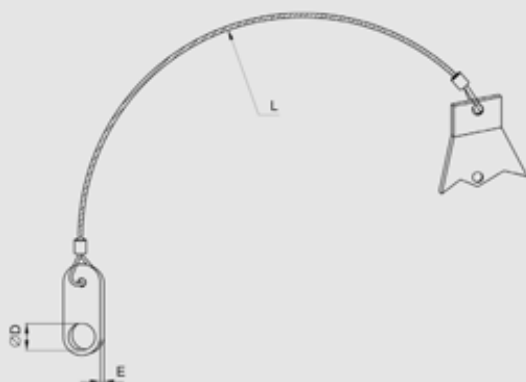
488

**ELEMENTO DE
FIJACIÓN ACORDE
A LA NORMA DIN
2353**

*RETAINING SYSTEM
FOR NIPPLES OR
FITTINGS ACCOR-
DING TO DIN 2353*

COD.	DN	ØD	E	L
0450950700	STOPFUDIN 145	14,5	2,5	300
0450950710	STOPFUDIN 17	17	2,5	300
0450950720	STOPFUDIN 185	18,5	2,5	300
0450950730	STOPFUDIN 205	20,5	2,5	300
0450950740	STOPFUDIN 225	22,5	2,5	300
0450950750	STOPFUDIN 245	24,5	2,5	300
0450950760	STOPFUDIN 265	26,5	2,5	300
0450950770	STOPFUDIN 305	30,5	3	300
0450950780	STOPFUDIN 34	34	3	450
0450950790	STOPFUDIN 365	36,5	3	450
0450950800	STOPFUDIN 425	42,5	3	450
0450950810	STOPFUDIN 455	45,5	3	450
0450950820	STOPFUDIN 49	49	3	450
0450950830	STOPFUDIN 525	52,5	3	450
0450950840	STOPFUDIN 60	60	3	450

PROTECCIONES PROTECTIONS



489

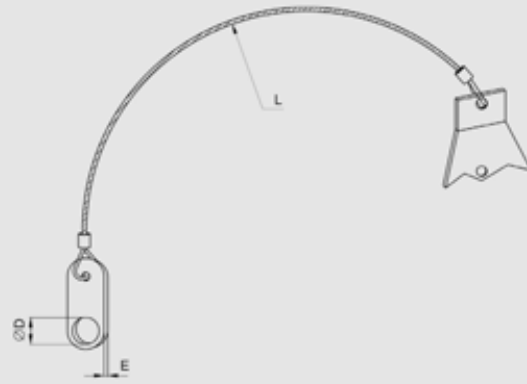


COD.	DN	ØD	E	L
0450950880	STOPFUSAE 085	8,5	4	450
0450950890	STOPFUSAE 105	10,5	4	450
0450950900	STOPFUSAE 125	12,5	4	450
0450950910	STOPFUSAE 145	14,5	4	450
0450950920	STOPFUSAE 165	16,5	4	450
0450950930	STOPFUSAE 205	20,5	4	450

**ELEMENTO DE
FIJACIÓN ACORDE A
LAS BRIDAS SAE 3000
Y SAE 6000 Y A LA
NORMA SAE J518**

*RETAINING SYSTEM
FOR SAE 3000 AND
SAE 6000 FLANGES
ACCORDING TO
SAE J518 NORMS*

PROTECCIONES PROTECTIONS



490

**ELEMENTO DE
FIJACIÓN PARA
VARIOS USOS**

*RETAINING
SYSTEMS FOR
VARIOUS USES*

COD.	DN	ØD	E	L
0450950950	STOPFUVARIE	13	4	450

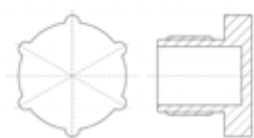


METALAL

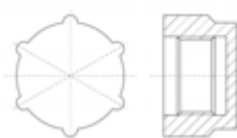
TAPONES

CAPS

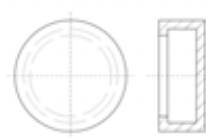
TAPONES – CAPS



p.495

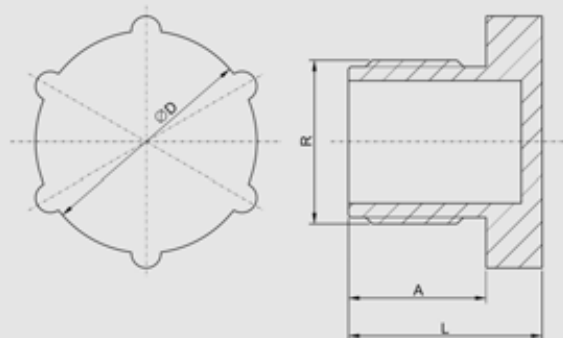


p.497



p.499

TAPONES CAPS



495



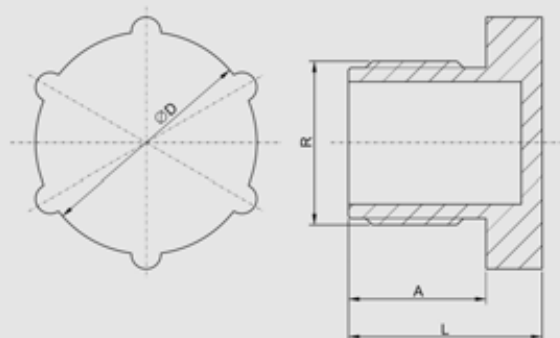
CÓD.	R (metric)	ØD	A	L
0670500090	M8x1	12,3	9,5	14,3
0670500110	M10x1	15,3	10,4	14,6
0670500150	M12x1	18,5	10,7	16,7
0670500180	M12x1,5	16,7	8,7	16,3
0670500210	M14x1,5	18,5	9,5	17,2
0670500230	M16x1,5	22	12,5	17,2
0670500270	M18x1,5	24,4	13,7	18,3
0670500300	M20x1,5	26,3	14	18,2
0670500330	M22x1,5	28,2	13,7	18,3
0670500360	M24x1,5	31,3	13,8	18,5
0670500370	M25x1,5	31,3	14	18,5
0670500390	M26x1,5	32,7	13,8	18,7
0670500590	M52x1,5	63,7	15,5	21,5

**TAPÓN PROTECTOR
MACHO**

MALE CAP

COD.	R (bsp)	ØD	A	L
0670500020	1/8"	16,4	4,2	10,5
0670500040	1/4"	18,8	6,5	12,8
0670500060	3/8"	22,9	5,5	12
0670500080	1/2"	28	10,3	17,3
0670500100	5/8"	31,3	13,9	18,4
0670500120	3/4"	32,3	11	17
0670500130	7/8"	38	13,5	18,1
0670500160	1"	39,8	10,8	16,9
0670500200	1"1/4	49,9	15	20,9
0670500240	1"1/2	55,2	10,8	16,9
0670500320	2"	73,7	10,7	17,5
0670500480	3"	105,0	11,3	16,5

TAPONES CAPS



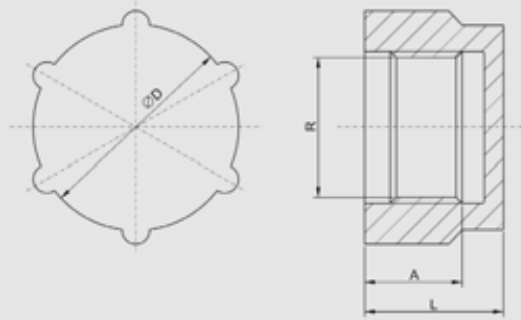
496

**TAPÓN PROTECTOR
MACHO**

MALE CAP

COD.	R (unf-jic)	ØD	A	L
0670501000	5/16"x18	14,5	7,4	12
0670501020	5/16"x24	14,8	7,4	12,3
0670501040	3/8"x24	13,7	9,5	14
0670501060	7/16"x20	17,4	11	16,1
0670501080	7/16"x24	17,8	7,1	12,1
0670501100	1/2"x20	18,5	10,5	15,3
0670501120	9/16"x18	22,6	10,7	15,4
0670501140	9/16"x24	18,9	9	13,6
0670501160	5/8"x18	21	10	14,8
0670501180	5/8"x24	20,7	10	14,8
0670501200	11/16"x16	25,6	13,5	18,1
0670501220	3/4"x16	27	13,8	18,7
0670501240	13/16"x16	26,7	13,5	18,1
0670501260	7/8"x14	28,8	13,6	18,5
0670501280	1"x14	32	13,2	17,8
0670501300	1"1/16x12	33,4	13,8	18,4
0670501320	1"1/16x14	33,3	13,7	18,3
0670501340	1"3/16x12	36,8	13,5	18,3
0670501360	1"5/16x12	39,3	11	16,3
0670501380	1"5/8x12	50,6	12,9	17,3
0670501400	1"3/4x12	53,2	13,8	19,7
0670501420	1"7/8x12	58,4	16,7	22,5
0670501440	2"1/2x12	73,6	15	20,6

TAPONES CAPS



497

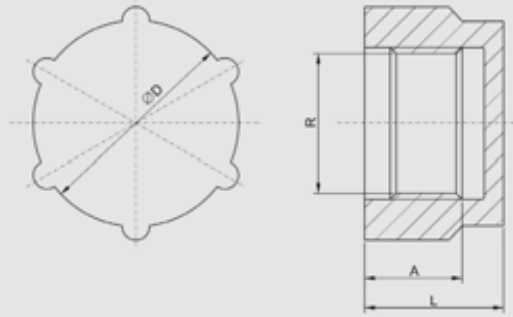


COD.	R (metric)	$\varnothing D$	A	L
0670510090	M8x1	9,9	7	10
0670510110	M10x1	11,9	7,5	10
0670510150	M12x1	13,8	9,5	12
0670510180	M12x1,5	14	9,5	12
0670510210	M14x1,5	15,9	9,5	12
0670510220	M14x1,5	16	9,2	20,6
0670510230	M16x1,5	17,9	9,5	12
0670510250	M16x1,5	18	9	21
0670510270	M18x1,5	19,7	11,5	14
0670510300	M20x1,5	21,9	9,5	14
0670510330	M22x1,5	24,3	11,5	13,8
0670510340	M22x1,5	24,4	17,5	24,5
0670510360	M24x1,5	26,2	11,5	14
0670510370	M25x1,5	27,2	11,5	14
0670510390	M26x1,5	28,3	11,5	14
0670510420	M28x1,5	32	12,4	14
0670510450	M30x2	34	11,5	14
0670510510	M36x2	38,8	13,5	16
0670510540	M42x2	44,5	13,5	16
0670510600	M52x2	54,7	13,5	16

**TAPÓN PROTECTOR
HEMBRA**

FEMALE CAP

TAPONES CAPS



498

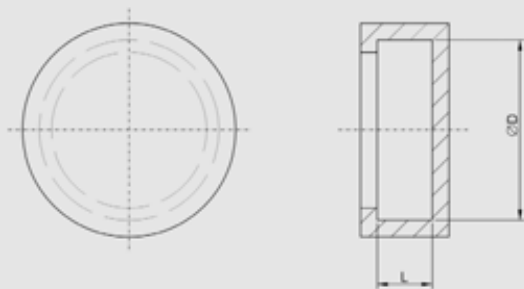
TAPÓN PROTECTOR
HEMBRA

FEMALE CAP

COD.	R (bsp)	ØD	A	L
0670510020	1/8"	11,8	6,5	12
0670510040	1/4"	14,8	8	11
0670510060	3/8"	18,7	7,4	11,3
0670510080	1/2"	23,2	7	13,5
0670510100	5/8"	25,4	10	15,7
0670510120	3/4"	29,4	11,2	17,7
0670510130	7/8"	32,4	12,5	19,5
0670510160	1"	36	14,5	19
0670510200	1"1/4	44,4	13	19,8
0670510240	1"1/2	50,3	14	20,5
0670510320	2"	61,9	15	21
0670510390	2"1/4	71,5	17,5	25
0670510400	2"1/2	77,9	19	27,6

COD.	R (unf-jic)	ØD	A	L
0670511040	3/8"x24	11	4	8,3
0670511060	7/16"x24	13,3	7,8	13,7
0670511080	7/16"x20	13,3	8	12,9
0670511100	1/2"x20	14,5	9,5	13,5
0670511120	9/16"x18	16,5	9,5	13,5
0670511160	5/8"x18	18,2	7,5	15,6
0670511220	3/4"x16	21,7	9,5	13,8
0670511240	13/16"x16	23,3	9,3	15,3
0670511260	7/8"x14	24,9	14,4	20,2
0670511270	7/8"x18	25,3	14	20
0670511280	1"x14	27,6	12	17,2
0670511300	1"1/16x12	29,4	11	19
0670511340	1"3/16x12	32,7	13	19,1
0670511360	1"5/16x12	36,4	14,5	22,2
0670511370	1"3/8x12	37,4	10,5	24,5
0670511390	1"7/16x12	38,9	15,2	21,7
0670511380	1"5/8x12	44,8	14	22
0670511420	1"7/8x12	50,3	15	25

TAPONES CAPS



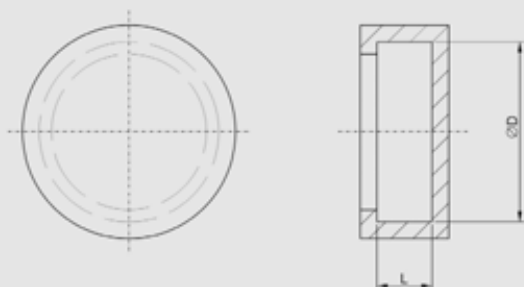
499



COD.	BRIDA/FLANGE	ØD	L
0670520080	1/2"	30	9
0670520120	3/4"	37	9
0670520160	1"	44	10
0670520200	1"1/4	50	10
0670520240	1"1/2	60	10
0670520320	2"	70	11

**TAPÓN PROTECTOR
PARA BRIDAS 3000
PSI**

*SAE FLANGES 3000
PSI*



COD.	BRIDA/FLANGE	ØD	L
0670530080	1/2"	31,8	7,7
0670530120	3/4"	41,3	8,7
0670530160	1"	47,6	9,5
0670530200	1"1/4	54	10,3
0670530240	1"1/2	63,5	12,6
0670530320	2"	79,4	12,6

**TAPÓN PROTECTOR
PARA BRIDAS 6000
PSI**

*SAE FLANGES
6000 PSI*

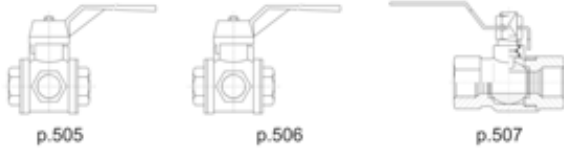


VÁLVULAS DE BAJA PRESIÓN – LOW PRESSURE VALVES

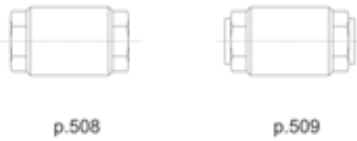
VÁLVULAS DE BAJA PRESIÓN

LOW PRESSURE VALVES

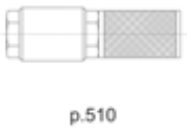
VÁLVULAS DE ESFERA / BALL VALVES



VÁLVULAS DE RETENCIÓN / CHECK VALVES



VÁLVULA DE PIE DE RETENCIÓN / CHECK-FOOT-BOTTOM VALVES



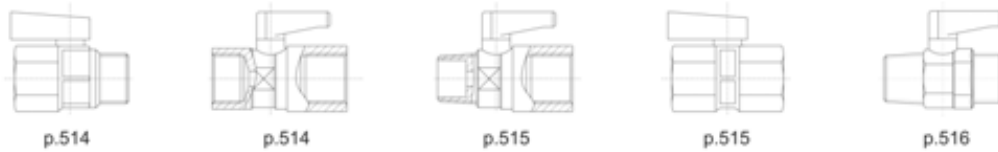
VÁLVULA DE SEGURIDAD / SAFETY VALVE



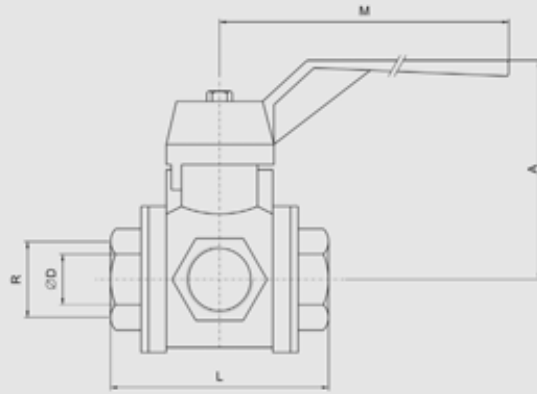
FILTRO / STAINER



VÁLVULAS DE BOLA / BALL VALVES



VALVULAS BAJA PRESION LOW PRESSURE VALVES



505



COD.	R	ØD	A	L	M
0230050040	1/4" BSP	10	65	77	125
0230050060	3/8" BSP	12	65	77	125
0230050080	1/2" BSP	14	65	77	125
0230050120	3/4" BSP	18	85	92	145
0230050160	1" BSP	23	100	105	170
0230050200	1"1/4 BSP	29	100	118	170
0230050240	1"1/2 BSP	36	120	138	170
0230050320	2" BSP	45	130	162	260

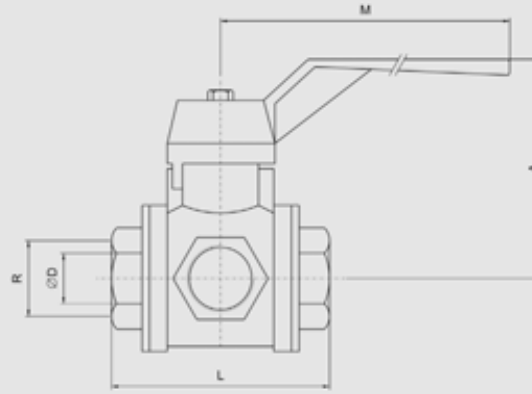
**VÁLVULA BAJA
PRESIÓN 3 VÍAS
EN "L"**

**TYPE "L" 3 WAYS
BALL VALVE**

PN 25 Paso total. Construcción en latón DIN 1766U cromado. 4 guarniciones de PTFE.
Extremo rosca gas H, ISO 228/1. Obturador esférico en dos vías en forma "L". Temperatura
máxima 200 °C. Mando manual por palanca.

Pn25 full bore. Body chrome plated brass DIN 17660. 4 PTFE seals. Gas threaded ends F-
ISO 228/1. Max. temperature 200 °C. Manual control lever.

VALVULAS BAJA PRESION LOW PRESSURE VALVES



506

**VÁLVULA BAJA
PRESIÓN 3 VÍAS
EN "T"**

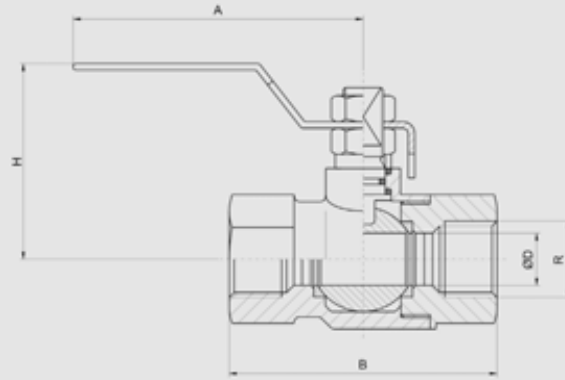
*TYPE "T" 3 WAYS
BALL VALVE*

COD.	R	ØD	A	L	M
0230100040	1/4" BSP	10	65	77	125
0230100060	3/8" BSP	12	65	77	125
0230100080	1/2" BSP	14	65	77	125
0230100120	3/4" BSP	18	85	92	145
0230100160	1" BSP	23	100	105	170
0230100200	1"1/4 BSP	29	100	118	170
0230100240	1"1/2 BSP	36	120	138	170
0230100320	2" BSP	45	130	162	260

PN 25 Paso total. Construcción en latón DIN 17660 cromado. 4 guarniciones de PTFE. Extremo rosca gas H, ISO 228/1. Obturador esférico en tres vías en forma "T". Temperatura máxima 200 °C. Mando manual por palanca.

Pn25 full bore. Body chrome plated brass DIN 17660. 4 PTFE T-type seals. Gas threaded ends F-ISO 228/1. Max. temperature 200 °C. Manual control lever.

VALVULAS BAJA PRESION LOW PRESSURE VALVES



507

COD.	R	ØD	A	H	B
0230000040	1/4" BSP	10	84	46	43
0230000060	3/8" BSP	10	84	46	43
0230000080	1/2" BSP	15	84	48	50
0230000120	3/4" BSP	20	98	58	56
0230000160	1" BSP	25	98	62	68
0230000200	1"1/4 BSP	32	126	74	80
0230000240	1"1/2 BSP	40	126	80	89
0230000280	2" BSP	50	158	92	104
0230000320	2"1/2 BSP	65	158	101	137
0230000360	3" BSP	80	196	131	158
0230000400	4" BSP	100	232	145	183

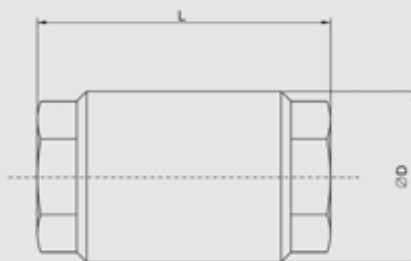
**VÁLVULA DE BAJA
PRESIÓN BSP**

**BALL VALVE-BSP
THREAD**

PN 25 Paso total. Construcción en latón DIN 17660 cromado. Juntas PTFE. Extremos rosca-
dos H-H, ISO 228/1. Temperatura máxima 180 °C. Mando manual por palanca de acero.

Pn25 full bore. Body chrome plated brass DIN 17660. Seats PTFE. Threaded ends F-F, ISO
228/1. Max. Temp. 180 °C. Manual control lever. Steel handle.

VALVULAS BAJA PRESION LOW PRESSURE VALVES



508

VÁLVULA DE
RETENCIÓN "YORK"

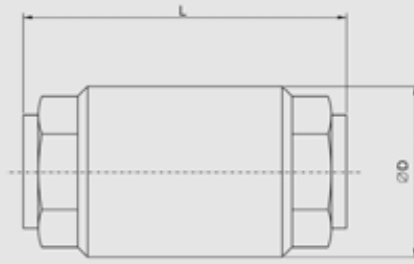
"YORK" CHECK
VALVE

COD.	R	PN	ØD	L
0230170060	3/8" BSP	12	34	46
0230170080	1/2" BSP	12	34	47
0230170120	3/4" BSP	12	42	52
0230170160	1" BSP	12	48	60
0230170200	1"1/4 BSP	10	59	66
0230170240	1"1/2 BSP	10	70	73
0230170320	2" BSP	10	86	79
0230170400	2"1/2 BSP	8	102	97
0230170480	3" BSP	8	125	103
0230170640	4" BSP	8	153	119

PN 12/8. Construcción en latón DIN 17660. Obturador de disco en poliamida 6. Cierre en NBR (goma) 65 SH. Muelle en acero inox. 18.8. Extremos rosca gas H-H, ISO 228/1. Temperatura máxima 90 °C. Montaje en cualquier posición.

PN 12/8. Body brass DIN 17660. NBR (rubber) sealing 65 SH/PS. Stainless steel spring, 18.8. Gas threaded ends F-F ISO 228/1. Max. temp. 90°C. Assembling: any position.

VALVULAS BAJA PRESION LOW PRESSURE VALVES



509



COD.	R	PN	ØD	L
0230190060	3/8" BSP	25	35	54
0230190080	1/2" BSP	25	35	57
0230190120	3/4" BSP	25	42	64
0230190160	1" BSP	25	48	75
0230190200	1"1/4 BSP	18	61	82
0230190240	1"1/2 BSP	18	71	93
0230190320	2" BSP	18	87	100
0230190400	2"1/2 BSP	12	120	120
0230190480	3" BSP	12	140	140
0230190640	4" BSP	12	173	158

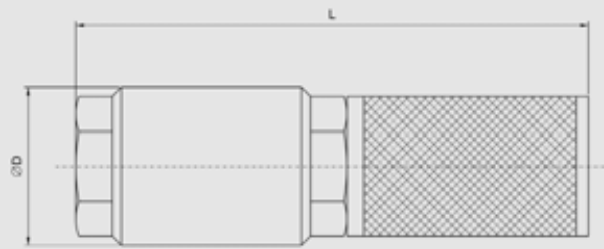
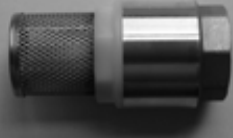
VÁLVULA DE
RETENCIÓN
"EUROPA"

"EUROPA" CHECK
VALVE

PN 25. Construcción en latón DIN 17660. Cierre en NBR (goma) 65 SH. Muelle en acero inox. 18.8. Extremos rosca gas H-H, ISO 228/1. Temperatura máxima 90 °C. Montaje en cualquier posición.

PN 25. Body brass DIN 17660. NBR (rubber) sealing 65 SH/PS. Stainless steel spring, 18.8. Gas threaded ends F-F ISO 228/1. Max. temp. 90°C. Assembling: any position.

VALVULAS BAJA PRESION LOW PRESSURE VALVES



510

VÁLVULA DE PIE
"YORK"

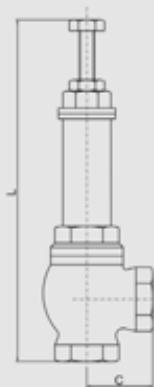
"YORK" VALVE
WITH FILTER

COD.	R	PN	ØD	L
0230210060	3/8" BSP	10	34,5	69,5
0230210080	1/2" BSP	10	34,5	69,5
0230210120	3/4" BSP	10	42	82
0230210160	1" BSP	10	47,5	91,5
0230210200	1"1/4 BSP	8	59,5	108
0230210240	1"1/2 BSP	8	71	119
0230210320	2" BSP	8	86,5	136,5
0230210400	2"1/2 BSP	6	102	164,5
0230210480	3" BSP	6	125	184,5
0230210640	4" BSP	6	155	214,5

PN 10/6. Construcción en latón DIN 17660. Cierre en NBR (goma) 65 SH. Muelle en acero inox. 18.8. Extremos rosca gas H, ISO 228/1. Temperatura máxima 90 °C.

PN 10/6. Body brass DIN 17660. NBR (rubber) sealing 65 SH. Stainless steel spring, 18.8. Gas threaded end F, ISO 228/1. Max. temp. 90°C.

VALVULAS BAJA PRESION LOW PRESSURE VALVES



511



COD.	R	L	C
0230230060	3/8" BSP	90	33
0230230080	1/2" BSP	100	35
0230230120	3/4" BSP	125	42
0230230160	1" BSP	135	48
0230230200	1"1/4 BSP	155	55
0230230240	1"1/2 BSP	170	67
0230230320	2" BSP	185	74
0230230400	2"1/2 BSP	220	80
0230230480	3" BSP	220	90
0230230640	4" BSP	225	110

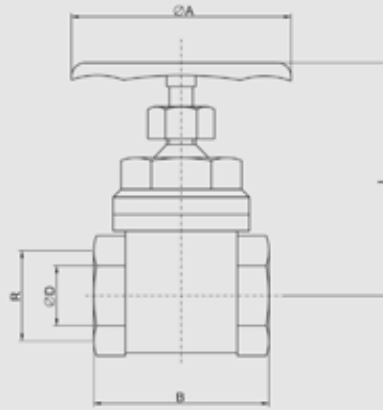
VÁLVULA DE SEGURIDAD DE ESCAPE CONDUCCION

SAFETY BLOW OFF VALVE

PN 16. Cierre en PTFE. Construcción en latón DIN 17660. Muelle en acero. Campo de taradura: 1 a 12 Kg./cm². Extremos en escuadra rosca gas H-H, ISO 228/1. Temperatura -20 °C a +200 °C.

PN 16. PTFE sealing. Body brass DIN 17660. Steel spring. Tare field: 1 to 12 Kg./cm². Gas threaded end F-F, ISO 228/1. Temp.: -20°C to +200°C.

VALVULAS BAJA PRESION LOW PRESSURE VALVES



512

**VÁLVULA DE COM-
PUERTA BRONCE**

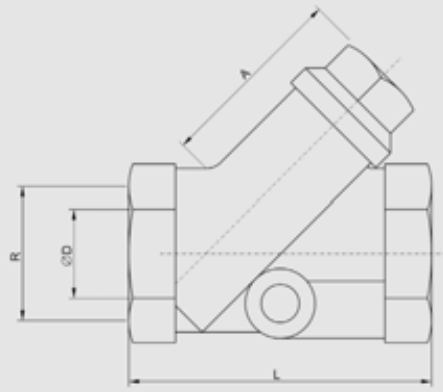
**BRONZE GATE
VALVE**

COD.	R	ØD	B	L	ØA
0230250080	1/2" BSP	15	38	68	46
0230250120	3/4" BSP	19	45	78	50
0230250160	1" BSP	24	48	92	55
0230250200	1"1/4 BSP	32	51	108	60
0230250240	1"1/2 BSP	37	58	125	70
0230250320	2" BSP	47	62	145	80
0230250400	2"1/2 BSP	60	76	175	100
0230250480	3" BSP	72	80	200	100
0230250640	4" BSP	93	96	240	120

PN 16. Paso total. Construcción en bronce 838 B 584 ASTM. Prensa estopa: Acrilonitrilo.
Extremos rosca gas H-H, ISO 228/1. Temperatura máxima 200 °C.

PN 16. Full bore. Body bronze 838 B 584 ASTM. Stuffing box, acrylonitril. Gas threaded ends
F-F, ISO 228/1. Max. Temp. 200 °C.

VALVULAS BAJA PRESION LOW PRESSURE VALVES



513



COD.	R	ØD	A	L
0230270080	1/2" BSP	15	41	57
0230270120	3/4" BSP	20	51	68
0230270160	1" BSP	25	52	77
0230270200	1"1/4 BSP	32	70	90
0230270240	1"1/2 BSP	40	77	100
0230270320	2" BSP	50	88	115
0230270400	2"1/2 BSP	65	118	154
0230270480	3" BSP	75	132	173
0230270640	4" BSP	90	170	210

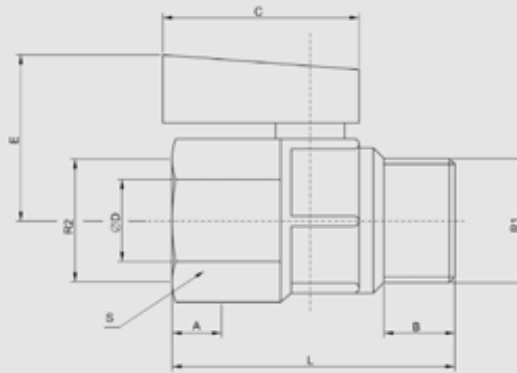
**FILTRO COLADOR
TIPO "Y" LATÓN**

**"Y" BRASS
STRAINER**

PN 16. Cuerpo laton DIN 17660. Tamiz inox. AISI 316. Luz: 300 micras. Junta tapa: PTFE.
Temp. max. 140 °C. Extremos rosca gas H-H, ISO 228/1.

PN 16. Body brass DIN 17660. Sieve: stainless steel AISI 316. Light: 300 microns. Max. temp.
140°C. Gas threaded ends F-F, ISO 228/1.

VALVULAS BAJA PRESION LOW PRESURE VALVES

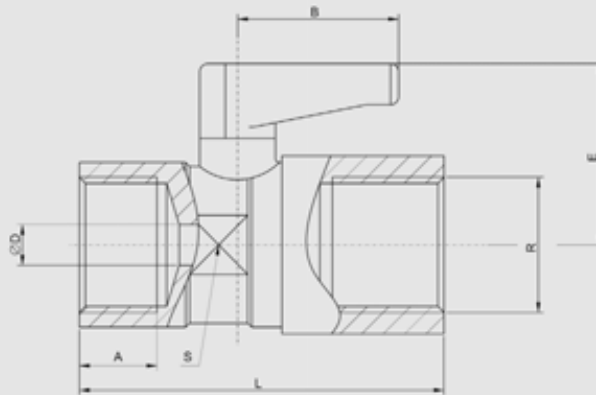


514

**VÁLVULA "MINI"
HEMBRA-MACHO**

*FEMALE-MALE
VALVE*

COD.	R1	R2	B	A	ØD	E	C	L	S
0230290040	1/4" BSP	1/4" BSP	8	10	7,5	28	34	41	22
0230290060	3/8" BSP	3/8" BSP	10	10	7,5	28	34	41	22
0230290080	1/2" BSP	1/2" BSP	10	10	9,5	31	34	45	25

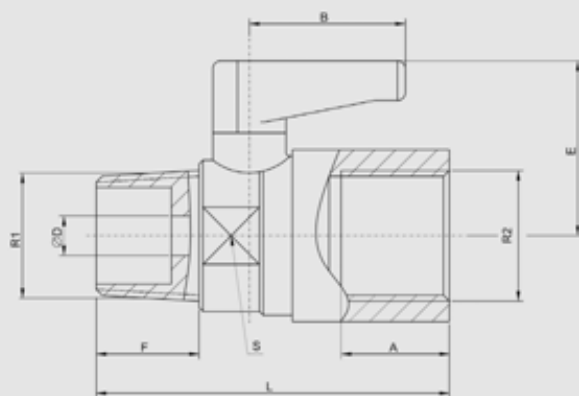


**VÁLVULA REDUCIDA
HEMBRA-HEMBRA**

*FEMALE-FEMALE
REDUCER VALVE*

COD.	R	ØD	A	B	E	L	S
0230310020	1/8" BSP	5,5	8	19	21,5	36,5	14
0230310040	1/4" BSP	5,5	11	19	21,5	43	14

VALVULAS BAJA PRESION LOW PRESURE VALVES

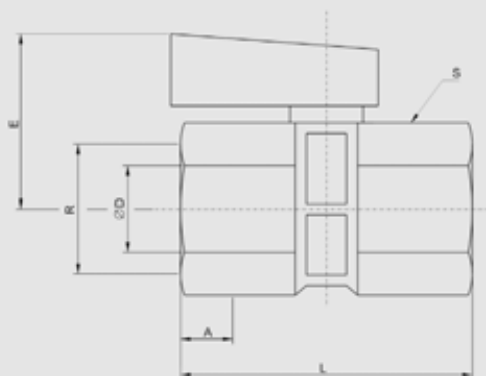


515

COD.	R1	R2	F	A	ØD	B	E	L	S
0230330020	1/8" BSPT	1/8" BSP	8	8	5,5	19	21,5	35,5	14
0230330040	1/4" BSPT	1/4" BSP	11	11	5,5	19	21,5	40,5	14

**VÁLVULA REDUCIDA
HEMBRA-MACHO**

*FEMALE-MALE
REDUCER VALVE*

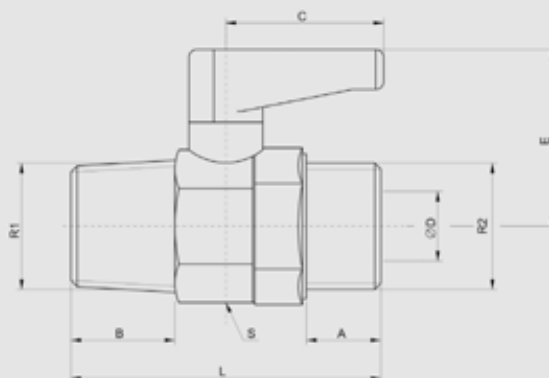


COD.	R	A	ØD	E	L	S
0230350040	1/4" BSP	10	7,5	28	41	22
0230350060	3/8" BSP	10	7,5	28	41	22
0230350080	1/2" BSP	10	9,5	31	45	25

**VÁLVULA "MINI"
HEMBRA-HEMBRA**

*FEMALE-FEMALE
VALVE*

VALVULAS BAJA PRESION LOW PRESSURE VALVES



516

VÁLVULA
MACHO-MACHO

MALE-MALE
VALVE

COD.	R1	R2	ØD	A	B	L	E	C	S
0230370020	1/8" BSPT	1/8" BSP	6,2	7	7,4	33,5	21	19	14-15
0230370010	1/8" BSPT	1/4" BSP	8,2	8	7,4	33,5	21	19	14-15
0230370110	1/4" BSPT	1/8" BSP	8,2	8	11	38	21	19	14-15
0230370040	1/4" BSPT	1/4" BSP	6,2	7	11	38	21	19	14-15
0230370060	3/8" BSPT	3/8" BSP	10,2	9	11,4	41,5	22	19	18-19
0230370080	1/2" BSPT	1/2" BSP	15,2	10	15	49	30,5	26	22-23
0230370120	3/4" BSPT	3/4" BSP	18,2	12	16,3	55,5	33	26	28-30



MANÓMETROS

PRESSURE GAUGES

MANÓMETROS – PRESSURE GAUGES

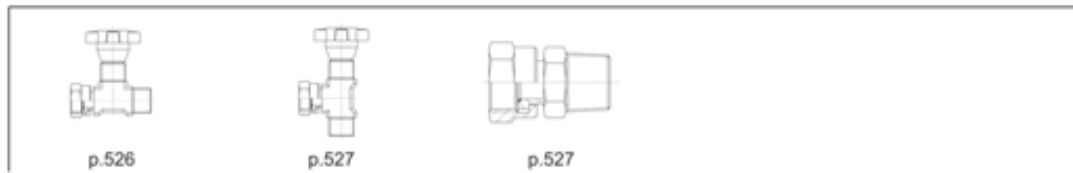
MANÓMETROS / MANOMETERS



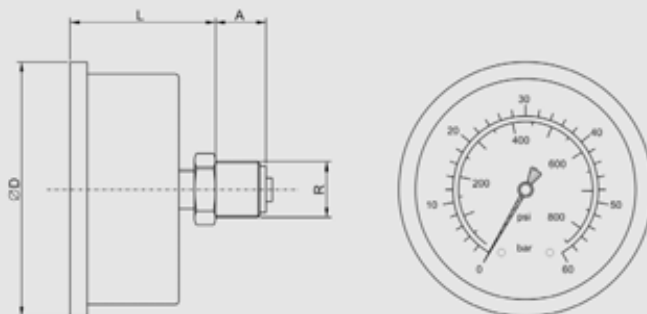
REGULADORES DE CAUDAL / CONTROL VALVES



PROTECTORES DE MANÓMETRO / GAUGE ISOLATOR NEEDLE VALVES



MANOMETROS PRESSURE GAUGES



521

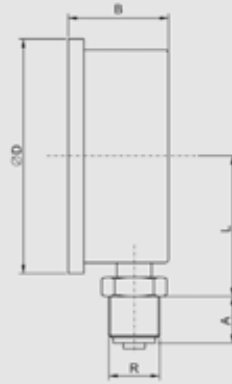


CÓDIGO	R	ØD	L	A	RANGO (BAR)
0270020050	1/4" BSP	68	61	14	0-1,6
0270020100	1/4" BSP	68	61	14	0-2,5
0270020150	1/4" BSP	68	61	14	0-4
0270020200	1/4" BSP	68	61	14	0-6
0270020250	1/4" BSP	68	61	14	0-10
0270020300	1/4" BSP	68	61	14	0-12
0270020350	1/4" BSP	68	61	14	0-16
0270020450	1/4" BSP	68	61	14	0-25
0270020500	1/4" BSP	68	61	14	0-40
0270020550	1/4" BSP	68	61	14	0-60
0270020600	1/4" BSP	68	61	14	0-100
0270020650	1/4" BSP	68	61	14	0-160
0270020700	1/4" BSP	68	61	14	0-250
0270020750	1/4" BSP	68	61	14	0-315
0270020800	1/4" BSP	68	61	14	0-400
0270020850	1/4" BSP	68	61	14	0-600
0270080050	1/2" BSP	107	66	22	0-1,6
0270080100	1/2" BSP	107	66	22	0-2,5
0270080150	1/2" BSP	107	66	22	0-4
0270080200	1/2" BSP	107	66	22	0-6
0270080250	1/2" BSP	107	66	22	0-10
0270080300	1/2" BSP	107	66	22	0-12
0270080350	1/2" BSP	107	66	22	0-16
0270080450	1/2" BSP	107	66	22	0-25
0270080500	1/2" BSP	107	66	22	0-40
0270080550	1/2" BSP	107	66	22	0-60
0270080600	1/2" BSP	107	66	22	0-100
0270080650	1/2" BSP	107	66	22	0-160
0270080700	1/2" BSP	107	66	22	0-250
0270080750	1/2" BSP	107	66	22	0-315
0270080800	1/2" BSP	107	66	22	0-400
0270080850	1/2" BSP	107	66	22	0-600

**MANOMETRO CON
GLICERINA DE
SALIDA POSTERIOR**

*PRESSURE GAUGE
WITH PANEL
MOUNTING
(CENTRE BACK)
WITH GLYCERIN*

MANOMETROS PRESSURE GAUGES



522

**MANOMETRO CON
GLICERINA DE
SALIDA RADIAL**

*PRESSURE GAUGE
WITH BOTTOM
CONNECTION WITH
GLYCERIN*

CÓDIGO	R	ØD	B	L	A	RANGO (BAR)
0270010050	1/4" BSP	68	28	60	14	0-1,6
0270010100	1/4" BSP	68	28	60	14	0-2,5
0270010150	1/4" BSP	68	28	60	14	0-4
0270010200	1/4" BSP	68	28	60	14	0-6
0270010250	1/4" BSP	68	28	60	14	0-10
0270010300	1/4" BSP	68	28	60	14	0-12
0270010350	1/4" BSP	68	28	60	14	0-16
0270010400	1/4" BSP	68	28	60	14	0-20
0270010450	1/4" BSP	68	28	60	14	0-25
0270010500	1/4" BSP	68	28	60	14	0-40
0270010550	1/4" BSP	68	28	60	14	0-60
0270010600	1/4" BSP	68	28	60	14	0-100
0270010650	1/4" BSP	68	28	60	14	0-160
0270010700	1/4" BSP	68	28	60	14	0-250
0270010750	1/4" BSP	68	28	60	14	0-315
0270010800	1/4" BSP	68	28	60	14	0-400
0270010850	1/4" BSP	68	28	60	14	0-600
0270070050	1/2" BSP	107	31	89	22	0-1,6
0270070100	1/2" BSP	107	31	89	22	0-2,5
0270070150	1/2" BSP	107	31	89	22	0-4
0270070200	1/2" BSP	107	31	89	22	0-6
0270070250	1/2" BSP	107	31	89	22	0-10
0270070300	1/2" BSP	107	31	89	22	0-12
0270070350	1/2" BSP	107	31	89	22	0-16
0270070450	1/2" BSP	107	31	89	22	0-25
0270070500	1/2" BSP	107	31	89	22	0-40
0270070550	1/2" BSP	107	31	89	22	0-60
0270070600	1/2" BSP	107	31	89	22	0-100
0270070650	1/2" BSP	107	31	89	22	0-160
0270070700	1/2" BSP	107	31	89	22	0-250
0270070750	1/2" BSP	107	31	89	22	0-315
0270070800	1/2" BSP	107	31	89	22	0-400
0270070850	1/2" BSP	107	31	89	22	0-600

MANOMETROS PRESSURE GAUGES



523



CÓDIGO	R	ØD	B	ØA	RANGO (BAR)
0270050050	1/4" BSP	88	37,5	3,6	0-1
0270050100	1/4" BSP	88	37,5	3,6	0-2,5
0270050150	1/4" BSP	88	37,5	3,6	0-4
0270050200	1/4" BSP	88	37,5	3,6	0-6
0270050250	1/4" BSP	88	37,5	3,6	0-10
0270050300	1/4" BSP	88	37,5	3,6	0-12
0270050350	1/4" BSP	88	37,5	3,6	0-16
0270050450	1/4" BSP	88	37,5	3,6	0-25
0270050500	1/4" BSP	88	37,5	3,6	0-40
0270050550	1/4" BSP	88	37,5	3,6	0-60
0270050600	1/4" BSP	88	37,5	3,6	0-100
0270050650	1/4" BSP	88	37,5	3,6	0-160
0270050700	1/4" BSP	88	37,5	3,6	0-250
0270050750	1/4" BSP	88	37,5	3,6	0-315
0270050800	1/4" BSP	88	37,5	3,6	0-400
0270050850	1/4" BSP	88	37,5	3,6	0-600
0270110050	1/2" BSP	134	59	6	0-1
0270110100	1/2" BSP	134	59	6	0-2,5
0270110150	1/2" BSP	134	59	6	0-4
0270110200	1/2" BSP	134	59	6	0-6
0270110250	1/2" BSP	134	59	6	0-10
0270110300	1/2" BSP	134	59	6	0-12
0270110350	1/2" BSP	134	59	6	0-16
0270110450	1/2" BSP	134	59	6	0-25
0270110500	1/2" BSP	134	59	6	0-40
0270110550	1/2" BSP	134	59	6	0-60
0270110600	1/2" BSP	134	59	6	0-100
0270110650	1/2" BSP	134	59	6	0-160
0270110700	1/2" BSP	134	59	6	0-250
0270110750	1/2" BSP	134	59	6	0-315
0270110800	1/2" BSP	134	59	6	0-400
0270110850	1/2" BSP	134	59	6	0-600

**MANOMETRO CON
GLICERINA DE
PANEL DE BRIDA**

*PRESSURE GAUGE
WITH PANEL
MOUNTED WITH
GLYCERIN*

MANOMETROS PRESSURE GAUGES



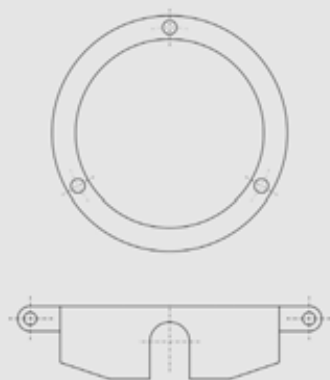
524

**MEDIDORES DE
VACIO -
VACUÓMETROS**

VACUUM GAUGE

CÓDIGO	R	ØD	DESCRIPCIÓN	RANGO (BAR)
0270500050	1/8" BSP	40	Posterior	0-1
0270500100	1/8" BSP	50	Posterior	0-1
0270500150	1/4" BSP	63	Posterior	0-1
0270500200	1/8" BSP	40	Radial	0-1
0270500250	1/8" BSP	50	Radial	0-1
0270500300	1/4" BSP	63	Radial	0-1
0270500350	1/8" BSP	40	Brida	0-1
0270500400	1/4" BSP	63	Brida	0-1
0270500450	1/8" BSP	40	Fijación posterior	0-1
0270500500	1/8" BSP	50	Fijación posterior	0-1
0270500550	1/4" BSP	63	Fijación posterior	0-1

MANOMETROS PRESSURE GAUGES

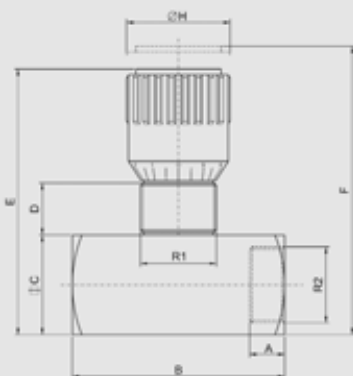


525

CÓDIGO	ØD	DESCRIPCIÓN
0270900070	63	Brida
0270900090	63	Fijación posterior
0270900080	100	Brida

FIJACIONES

ADAPTORS

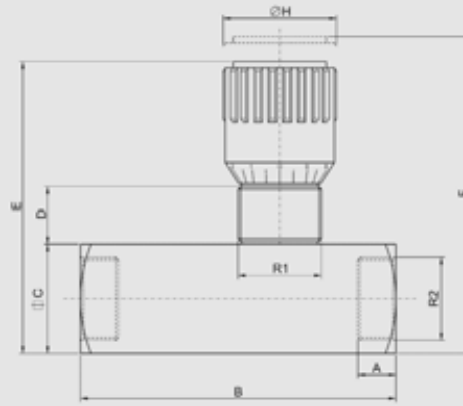


CÓDIGO	R2	A	B	E	F	ØH	D	R1	C
0271000020	1/8" BSP	9	38	60,5	65,5	21,5	15	M17x1	16
0271000040	1/4" BSP	12,5	48	71,5	78,5	26	17	M20x1	20
0271000060	3/8" BSP	13,5	59	84,5	93,5	33	19	M25x1,5	25
0271000080	1/2" BSP	15	67	97	107	37	20	M30x1,5	30
0271000120	3/4" BSP	17	84	120,5	132,5	46	25	M40x1,5	40
0271000160	1" BSP	21	105	151,5	167,5	56	34	M50x1,5	50
0271000200	1"1/4 BSP	23	120	156,5	172,5	56	34	M50x1,5	55

**REGULADOR
DE CAUDAL
BIDIRECCIONAL**

*IN LINE DOUBLE-
ACTING. CONTROL
VALVE*

MANOMETROS PRESSURE GAUGES

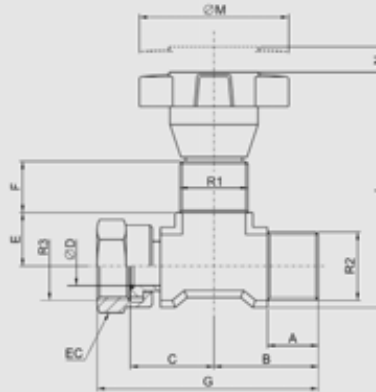
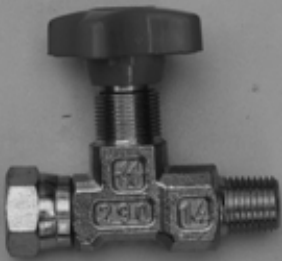


526

REGULADOR DE CAUDAL UNIDIRECCIONAL

SINGLE-ACTING CONTROL VALVE

CÓDIGO	R2	A	B	E	F	ØH	D	R1	C
0271010020	1/8" BSP	9	48	60,5	65,5	21,5	15	M17x1	16
0271010040	1/4" BSP	12,5	65,5	71,5	78,5	26	17	M20x1	20
0271010060	3/8" BSP	13,5	79	84,5	93,5	33	19	M25x1,5	25
0271010080	1/2" BSP	15	94	97	107	37	20	M30x1,5	30
0271010120	3/4" BSP	17	114	120,5	132,5	46	25	M40x1,5	40
0271010160	1" BSP	21	138,5	151,5	167,5	56	34	M50x1,5	50
0271010200	1"1/4 BSP	23	157	156,5	172,5	56	34	M50x1,5	55

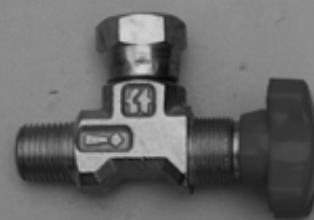
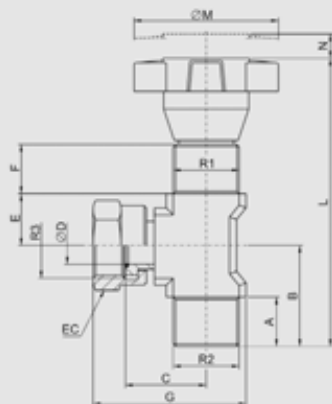


PROTECTOR MANÓMETRO EN LINEA

IN LINE GAUGE ISOLATOR NEEDLE VALVE

CÓDIGO	R3	R2	A	ØD	C	G	ØM	F	R1	L	E	N	EC
0270250040	1/4" BSP	1/4" BSP	12	5,6	52	61,5	34	12	M15x1	53	15	2	18

MANOMETROS PRESSURE GAUGES

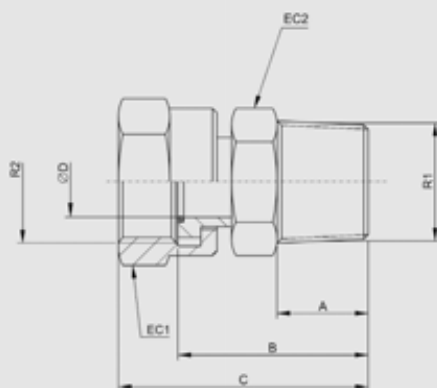


527

**PROTECTOR
MANÓMETRO
LATERAL**

*ANGLE GAUGE
ISOLATOR NEEDLE
VALVE*

CÓDIGO	R3	R2	A	ØD	C	G	ØM	F	R1	L	E	N	B	EC
0270260040	1/4" BSP	1/4" BSP	12	5,6	22	40	34	10	M15x1	65	11	2	27	18



**RACOR
MANÓMETRO
MACHO CON
TUERCA GIRATORIA**

CONECTOR

CÓDIGO	R2	R1	A	B	C	EC1	EC2
0270500050	1/8" BSP	1/8" BSP	9	22	29,5	14	12
0270500100	1/4" BSP	1/4" BSP	12	27	36,5	18	17
0270500120	1/4" BSP	1/2" BSP	16	31	40,5	18	22
0270500220	1/2" BSP	1/4" BSP	12	31	42	27	22
0270500200	1/2" BSP	1/2" BSP	16	34	45	27	22



**VÁLVULAS Y ENCHUFES
DE ALTA PRESIÓN**

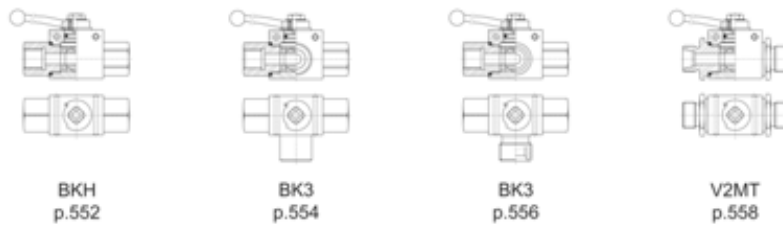
HIGH PRESSURE VALVES

VÁLVULAS Y ENCHUFES DE ALTA PRESIÓN – HIGH PRESSURE VALVES

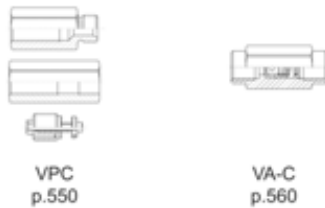
ENCHUFES RÁPIDOS / QUICK-RELEASE COUPLINGS



LLAVES DE PASO / BALL VALVES



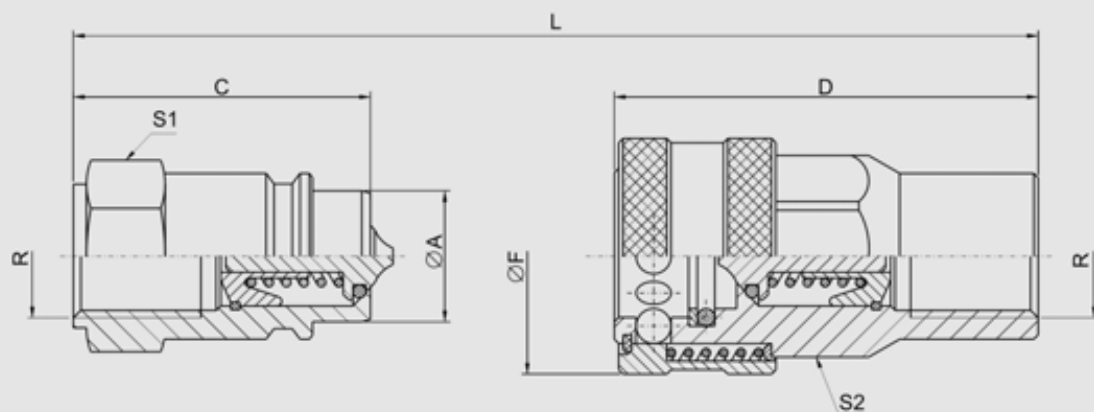
VÁLVULAS ANTIRETORNO / CHECK VALVES



RACORES GIRATORIOS / SWIVEL FITTINGS



VALVULAS Y ENCHUFES DE ALTA PRESION HIGH PRESSURE VALVES



533

Cód. Macho-Male	DN	R	Rosca Thread	P Bar	C	ØA	S1	L
0220520040	6	1/4"	BSP	350	36	11.8	19	72
0220522040	6	1/4"	NPT	350	36	11.8	19	72
0220520060	10	3/8"	BSP	300	40.5	17.25	22	81
0220521060	10	3/8"	BSPT	300	40.5	17.25	22	81
0220522060	10	3/8"	NPT	300	40.5	17.25	22	81
0220523030	10	9/16"-18	UNF	300	40.5	17.25	22	81
0220520080	13	1/2"	BSP	300	46	20.56	27	87.5
0220522080	13	1/2"	NPT	300	46	20.56	27	87.5
0220524330	13	M22x1,5	METRICA	300	46	20.56	27	87.5
0220523040	13	3/4"-16	UNF	300	46	20.56	27	87.5
0220523050	13	7/8"-14	UNF	300	46	20.56	30	87.5
0220520120	20	3/4"	BSP	250	56	29	36	112
0220522120	20	3/4"	NPT	250	56	29	36	112
0220523080	20	1"1/16-12	UNF	250	56	29	36	112
0220520160	25	1"	BSP	230	63	34.3	41	126
0220522160	25	1"	NPT	230	63	34.3	41	126
0220523100	25	1"5/16-12	UNF	230	63	34.3	41	126
0220520200	32	1"1/4	BSP	230	75	44.95	50	150
0220522200	32	1"1/4	NPT	230	75	44.95	50	150
0220520240	40	1"1/2	BSP	200	83.5	55	60	167
0220522240	40	1"1/2	NPT	200	83.5	55	60	167
0220520320	50	2"	BSP	130	105	65.1	75	210
0220522320	50	2"	NPT	130	105	65.1	75	210

SCB-C SERIE ISO "A"

SCB-C ISO "A" SERIES

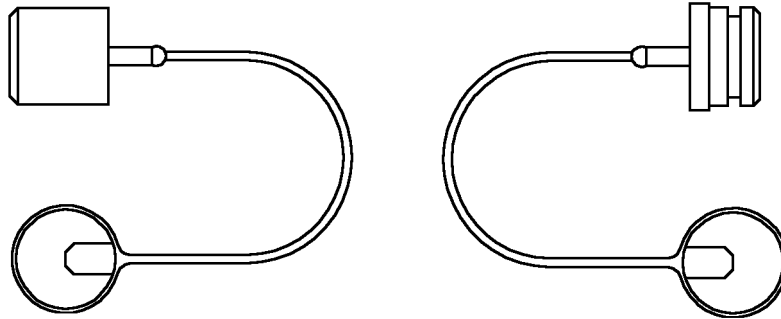
Cód. Hembra-Female	DN	R	Rosca Thread	P Bar	D	ØF	S2
0220510040	6	1/4"	BSP	350	51	26	19
0220512040	6	1/4"	NPT	350	51	26	19
0220510060	10	3/8"	BSP	300	58.5	32	24
0220511060	10	3/8"	BSPT	300	58.5	32	24
0220512060	10	3/8"	NPT	300	58.5	32	24
0220513030	10	9/16"-18	UNF	300	58.5	32	24
0220510080	13	1/2"	BSP	300	63.5	38	30
0220512080	13	1/2"	NPT	300	63.5	38	30
0220514330	13	M22x1,5	METRICA	300	63.5	38	30
0220513040	13	3/4"-16	UNF	300	63.5	38	30
0220513050	13	7/8"-14	UNF	300	63.5	38	30
0220510120	20	3/4"	BSP	250	83.5	46	38
0220512120	20	3/4"	NPT	250	83.5	46	38
0220513080	20	1"1/16-12	UNF	250	83.5	46	38
0220510160	25	1"	BSP	230	97	55	46
0220512160	25	1"	NPT	230	97	55	46
0220513100	25	1"5/16-12	UNF	230	97	55	46
0220510200	32	1"1/4	BSP	230	117	70	50
0220512200	32	1"1/4	NPT	230	117	70	50
0220510240	40	1"1/2	BSP	200	133	84.5	60
0220512240	40	1"1/2	NPT	200	133	84.5	60
0220510320	50	2"	BSP	130	165	100	75
0220512320	50	2"	NPT	130	165	100	75

METALA

VALVULAS Y ENCHUFES DE ALTA PRESION HIGH PRESSURE VALVES



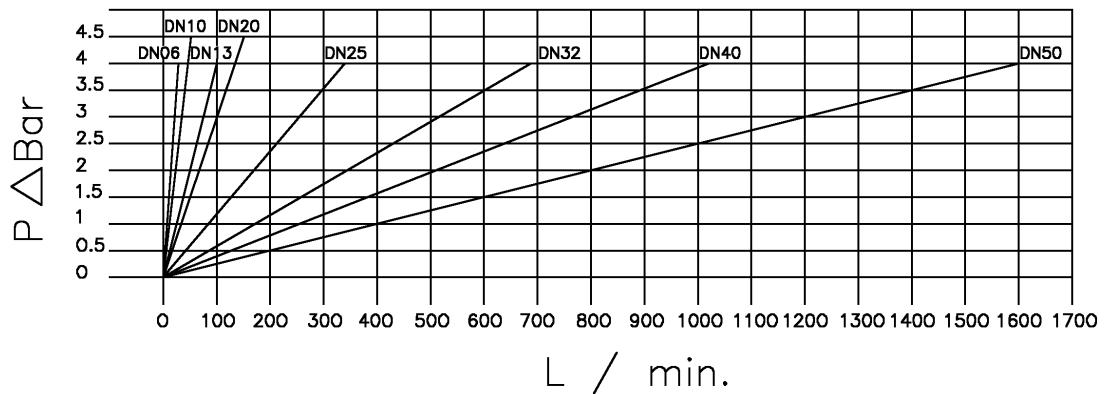
534



SCB-C SERIE ISO "A"

SCB-C ISO "A" SERIES

Código Tapón - Cap	R	Código Tapa-Plug
0229000060	06	0229010060
0229000100	10	0229010100
0229000130	13	0229010130
0229000200	20	0229010200
0229000250	25	0229010250



Intercambiables:

- FASTER ANV
- PARKER 6600
- AEROQUIP FD56
- SNAP-TITE 61

Fabricados según norma ISO 7241-A, DN13
Disponibles con cierre a válvula.
Roscas BSP, NPT, SAE/ORB.
Sectores: Industrial y Agricultura
Temperatura de trabajo: -25° C a +125° C
con juntas NBR

Material: Acero EN 10277-3
Juntas: NBR
Anti-Extrusión: PTFE
Bolas: AISI 1010/1015
Muelles: Acero DIN 17233/84 (B)

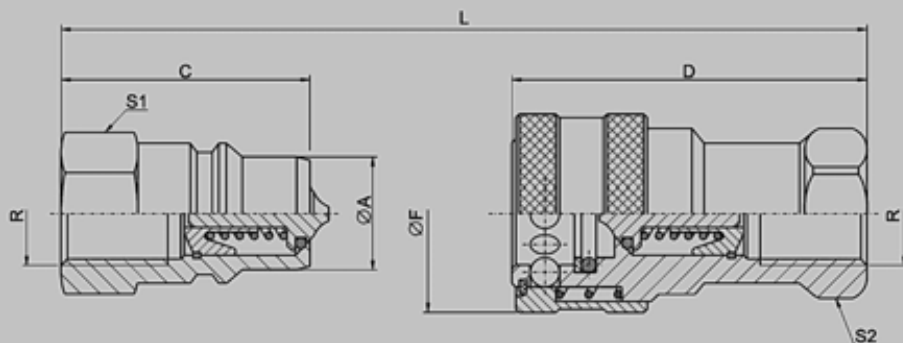
Compatible with:

- FASTER ANV
- PARKER 6600
- AEROQUIP FD56
- SNAP-TITE 61

Manufactured according ISO 7241-A, DN13
Available with poppet valve as closing
system.
BSP, NPT, SAE/ORB threads.
Sectors: Industrial and Agricultural
Working temperature: -25° C a +125° C with
NBR o-rings.

Material: Carbon steel EN 10277-3
Seals: NBR
Back-up ring: PTFE
Balls: AISI 1010/1015
Springs: Acero DIN 17233/84 (B)

VALVULAS Y ENCHUFES DE ALTA PRESION HIGH PRESSURE VALVES



535

SCB-C SERIE ISO "B"

SCB-C ISO "B" SERIES

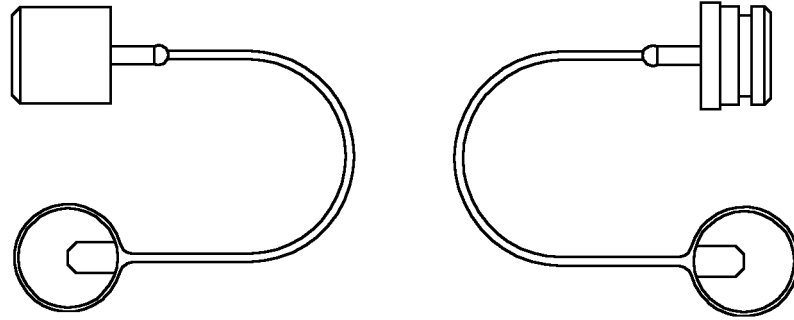
Cód. Macho-Male -Acero / Carbon steel-	Cód. Macho-Male -Aisi 316-	Cód. Macho-Male -Latón / Brass-	DN	R	Rosca Thread	P Bar -Acero / Carbon steel-	P Bar -Aisi 316-	P Bar -Latón / Brass-	C	ØA	S1	L
0221520020	0221520022	0221520021	4	1/8"	BSP	350	150	90	30	10.9	14	60
0221522020	0221522022	0221522021	4	1/8"	NPT	350	150	90	30	10.9	14	60
0221520040	0221520042	0221520041	6	1/4"	BSP	350	150	90	36	14.2	19	72
0221522040	0221522042	0221522041	6	1/4"	NPT	350	150	90	36	14.2	19	72
0221520060	0221520062	0221520061	10	3/8"	BSP	300	100	90	40.5	19.1	24	81
0221522060	0221522062	0221522061	10	3/8"	NPT	300	100	90	40.5	19.1	24	81
0221523040	0221523042	0221523041	10	3/4"-16	UNF	300	100	90	40.5	19.1	24	81
0221520080	0221520082	0221520081	13	1/2"	BSP	280	100	80	46	23.55	27	92
0221522080	0221522082	0221522081	13	1/2"	NPT	280	100	80	46	23.55	27	92
0221523040	0221523042	0221523041	13	3/4"-16	UNF	280	100	80	46	23.55	27	92
0221523050	0221523052	0221523051	13	7/8"-14	UNF	280	100	80	46	23.55	27	92
0221520120	0221520122	0221520121	20	3/4"	BSP	180	100	70	56	31.45	36	112
0221522120	0221522122	0221522121	20	3/4"	NPT	180	100	70	56	31.45	36	112
0221523080	0221523082	0221523081	20	1"1/16-12	UNF	180	100	70	56	31.45	36	112
0221520160	0221520162	0221520161	25	1"	BSP	150	75	70	63	37.8	41	126
0221522160	0221522162	0221522161	25	1"	NPT	150	75	70	63	37.8	41	126
0221523100	0221523102	0221523101	25	1"5/16-12	UNF	150	75	70	63	37.8	41	126

Cód. Hembra-Female -Acero / Carbon steel-	Cód. Hembra-Female -Aisi 316-	Cód. Hembra-Female -Latón / Brass-	DN	R	Rosca Thread	P Bar -Acero / Carbon steel-	P Bar -Aisi 316-	P Bar -Latón / Brass-	D	ØF	S2 Acero/ Steel	S2 -Aisi 316- -Latón / Brass-
0221510020	0221510022	0221510021	4	1/8"	BSP	350	150	90	49	22	17	14
0221512020	0221512022	0221512021	4	1/8"	NPT	350	150	90	49	22	17	14
0221520040	0221520042	0221520041	6	1/4"	BSP	350	150	90	57.7	27	22	19
0221512040	0221512042	0221512041	6	1/4"	NPT	350	150	90	57.7	27	22	19
0221510060	0221510062	0221510061	10	3/8"	BSP	300	100	90	65.5	35	27	24
0221512060	0221512062	0221512061	10	3/8"	NPT	300	100	90	65.5	35	27	24
0221513040	0221513042	0221513041	10	3/4"-16	UNF	300	100	90	65.5	35	27	24
0221510080	0221510082	0221510081	13	1/2"	BSP	280	100	80	74	42	27	27
0221512080	0221512082	0221512081	13	1/2"	NPT	280	100	80	74	42	27	27
0221513040	0221513042	0221513041	13	3/4"-16	UNF	280	100	80	74	42	27	27
0221513050	0221513052	0221513051	13	7/8"-14	UNF	280	100	80	74	42	27	27
0221510120	0221510122	0221510121	20	3/4"	BSP	180	100	70	90	52	41	36
0221512120	0221512122	0221512121	20	3/4"	NPT	180	100	70	90	52	41	36
0221513080	0221513082	0221513081	20	1"1/16-12	UNF	180	100	70	90	52	41	36
0221510160	0221510162	0221510161	25	1"	BSP	150	75	70	103	60	41	41
0221512160	0221512162	0221512161	25	1"	NPT	150	75	70	103	60	41	41
0221513100	0221513102	0221513101	25	1"5/16-12	UNF	150	75	70	103	60	41	41

VALVULAS Y ENCHUFES DE ALTA PRESION HIGH PRESSURE VALVES



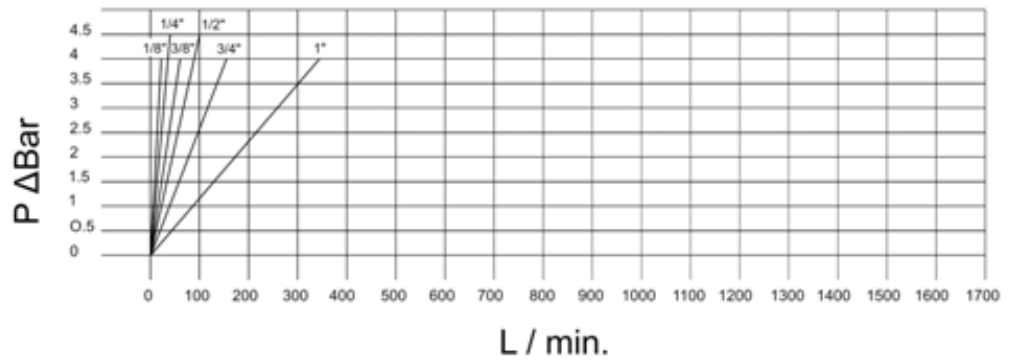
536



SCB-C SERIE ISO "B"

SCB-C ISO "B" SERIES

Código Tapón - Cap	DN	Código Tapa-Plug
0229020040	04	0229030040
0229020060	06	0229030060
0229020100	10	0229030100
0229020130	13	0229030130
0229020200	20	0229030200
0229020250	25	0229030250



VALVULAS Y ENCHUFES DE ALTA PRESION HIGH PRESSURE VALVES

Intercambiables:

- FASTER H
- PARKER 60
- AEROQUIP FD45
- SNAP-TITE 72

ACERO CARBONO

Fabricados según norma ISO 7241-B
Disponibles con cierre a válvula.
Roscas BSP, NPT, SAE/ORB.
Sectores: Industrial
Temperatura de trabajo: -25° C a +125° C con juntas NBR

Material: Acero EN 10277-3
Juntas: NBR
Anti-Extrusión: PTFE
Bolas: AISI 1010/1015
Muelles: Acero DIN 17233/84 (B)

INOXIDABLE

Fabricados según norma ISO 7241-B
Disponibles con cierre a válvula.
Roscas BSP, NPT, SAE/ORB
Sectores: Químico, Industrial, Petrolífero
Temperatura de trabajo: -25° C a +180° C con juntas Vitón

Material: AISI 316
Juntas: Vitón
Anti-Extrusión: PTFE
Bolas: AISI 316 W. 14401
Muelles: AISI 302 DIN 17224

LATÓN

Fabricados según norma ISO 7241-B
Disponibles con cierre a válvula.
Roscas BSP, NPT, SAE/ORB
Sectores: Químico, Industrial, Petrolífero
Temperatura de trabajo: -25° C a +180° C con juntas Vitón

Material: Latón DIN-EN 12164
Juntas: Vitón
Anti-Extrusión: PTFE
Bolas: AISI 316 W. 14401
Muelles: AISI 302 DIN 17224

Compatible with:

- FASTER H
- PARKER 60
- AEROQUIP FD45
- SNAP-TITE 72

CARBON STEEL

Manufactured according ISO 7241-B
Available with poppet valve as closing system..
BSP, NPT, SAE/ORB threads.
Sectors: Industrial
Working temperature: -25° C a +125° C with NBR o-rings.

Material: Carbon steel EN 10277-3
Seals: NBR
Back-up ring: PTFE
Balls: AISI 1010/1015
Springs: Acero DIN 17233/84 (B)

STAINLESS STEEL

Manufactured according ISO 7241-B
Available with poppet valve as closing system.
BSP, NPT, SAE/ORB threads.
Sectores: Chemical, Industrial, Offshore
Working temperature: -25° C a +180° C with Vitón o-rings.

Material: AISI 316
Seals: Vitón
Back-up ring: PTFE
Balls: AISI 316 W. 14401
Springs: AISI 302 DIN 17224

BRASS

Manufactured according ISO 7241-B
Available with poppet valve as closing system.
BSP, NPT, SAE/ORB threads.
Sectores: Chemical, Industrial, Offshore
Working temperature: -25° C a +180° C with Vitón o-rings.

Material: Brass DIN-EN 12164
Seals: Vitón
Back-up ring: PTFE
Balls: AISI 316 W. 14401
Springs: AISI 302 DIN 17224

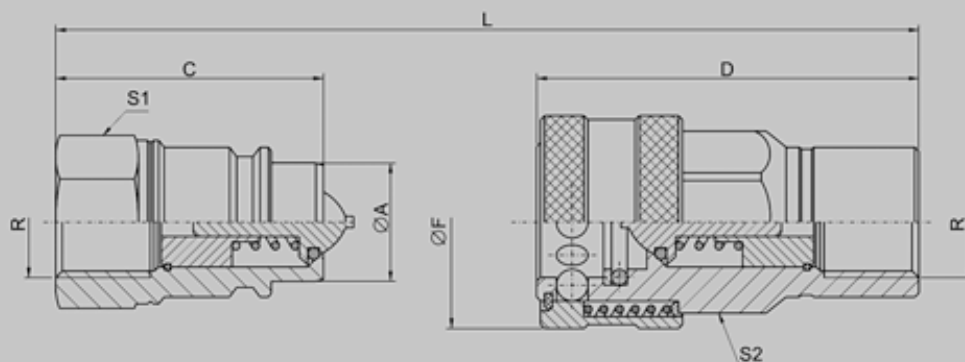
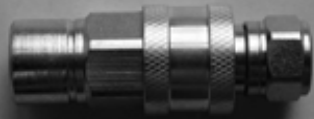


537

SCB-C SERIE ISO "B"

SCB-C ISO "B" SERIES

VALVULAS Y ENCHUFES DE ALTA PRESION HIGH PRESSURE VALVES



538

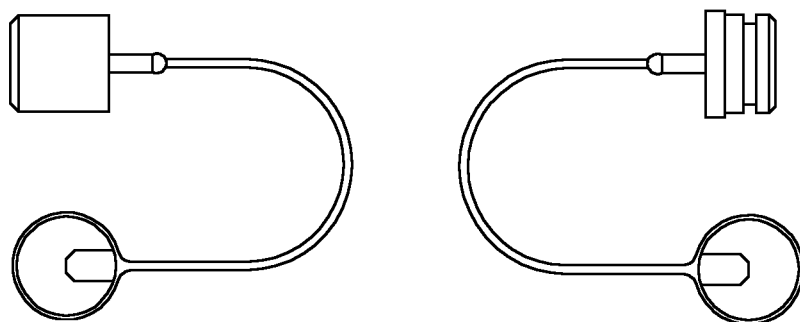
SERIE DIN

DIN SERIES

Cód. Macho - Male	DN	R	Rosca Thread	P Bar	C	ØA	S1	L
0221760040	6	1/4"	BSP	350	36	14.2	19	72
0221762040	6	1/4"	NPT	350	36	14.2	19	72
0221763030	6	9/16"-18	UNF	350	36	14.2	19	72
0221760060	10	3/8"	BSP	300	40.5	18.95	24	81
0221762060	10	3/8"	NPT	300	40.5	18.95	24	81
0221760080	13	1/2"	BSP	300	46	20.56	27	87.5
0221762080	13	1/2"	NPT	300	46	20.56	27	87.5
0221763040	13	3/4"-16	UNF	300	48	20.56	27	89.5
0221763050	13	7/8"-14	UNF	300	50	20.56	30	91.5
0221760120	20	3/4"	BSP	250	56	27.95	36	112
0221762120	20	3/4"	NPT	250	56	27.95	36	112
0221760160	25	1"	BSP	220	63	31.3	41	126
0221762160	25	1"	NPT	220	63	31.3	41	126

Cód. Hembra - Female	DN	R	Rosca Thread	P Bar	D	ØF	S2
0221770040	6	1/4"	BSP	350	53.5	27	22
0221772040	6	1/4"	NPT	350	53.5	27	22
0221773030	6	9/16"-18	UNF	350	53.5	27	22
0221770060	10	3/8"	BSP	300	61	35	27
0221772060	10	3/8"	NPT	300	61	35	27
0221770080	13	1/2"	BSP	300	63.5	38	30
0221772080	13	1/2"	NPT	300	63.5	38	30
0221773040	13	3/4"-16	UNF	300	63.5	38	30
0221773050	13	7/8"-14	UNF	300	63.5	38	30
0221770120	20	3/4"	BSP	250	85	48	38
0221772120	20	3/4"	NPT	250	85	48	38
0221770160	25	1"	BSP	220	96.5	55	46
0221772160	25	1"	NPT	220	96.5	55	46

VALVULAS Y ENCHUFES DE ALTA PRESION HIGH PRESSURE VALVES

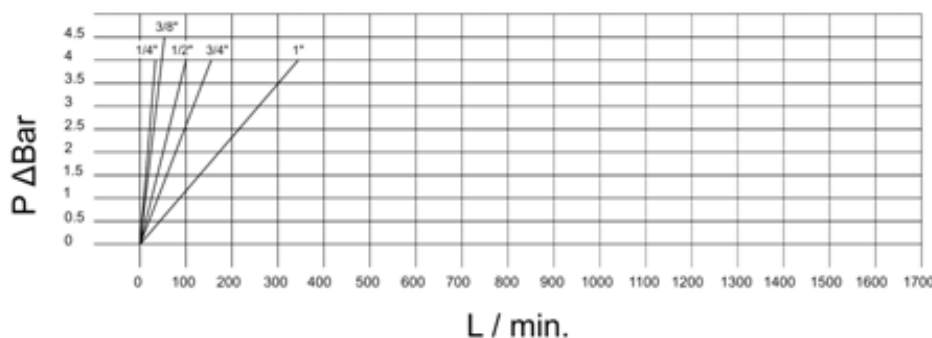


539

Código Tapón - Cap	DN	Código Tapa-Plug
0229040060	06	0229050060
0229040100	10	0229050100
0229040130	13	0229050130
0229040200	20	0229050200
0229040250	25	0229050250

SERIE DIN

DIN SERIES



Intercambiables:

- FASTER NV-NS
- PARKER 4000
- AEROQUIP FD76
- SNAP-TITE 60

Compatible with:

- FASTER NV-NS
- PARKER 4000
- AEROQUIP FD76
- SNAP-TITE 60

ACERO CARBONO

Fabricados según norma ISO 5675, la medida de DN13 cumple también con la ISO 7241-A

Disponibles con cierre a válvula o bola.

Roscas BSP, NPT, SAE/ORB.

Sectores: Agrícola, Industrial.

Temperatura de trabajo: -25° C a +125° C con juntas NBR

Material: Acero EN 10277-3

Juntas: NBR

Anti-Extrusión: PTFE

Bolas: AISI 1010/1015

Muelles: Acero DIN 17233/84 (B)

CARBON STEEL

Manufactured according ISO 5675 norm, DN13 size meet as well ISO 7241-A requirements.

Available with poppet valve or ball as closing system.

BSP, NPT, SAE/ORB threads.

Sectors: Agricultural, Industrial.

Working temperature: -25° C a +125° C with NBR o-rings.

Material: Carbon steel EN 10277-3

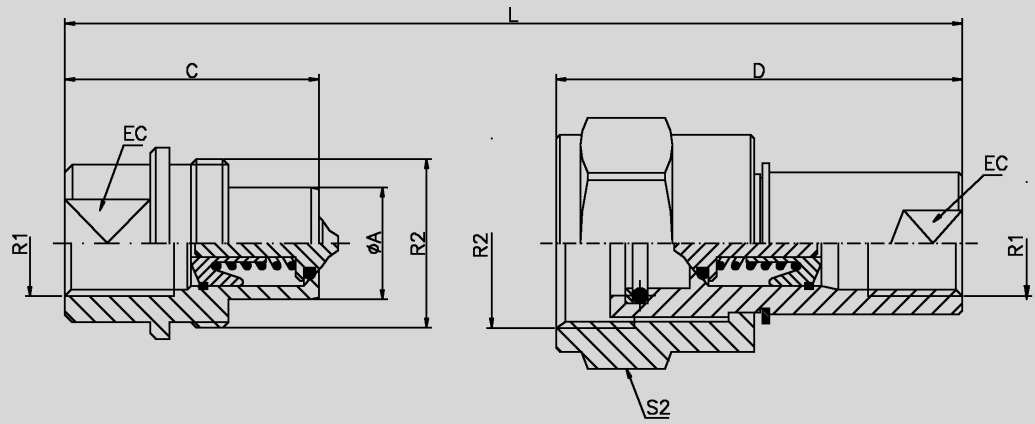
Seals: NBR

Back-up ring: PTFE

Balls: AISI 1010/1015

Springs: Carbon steel DIN 17233/84 (B)

VALVULAS Y ENCHUFES DE ALTA PRESION HIGH PRESSURE VALVES



540

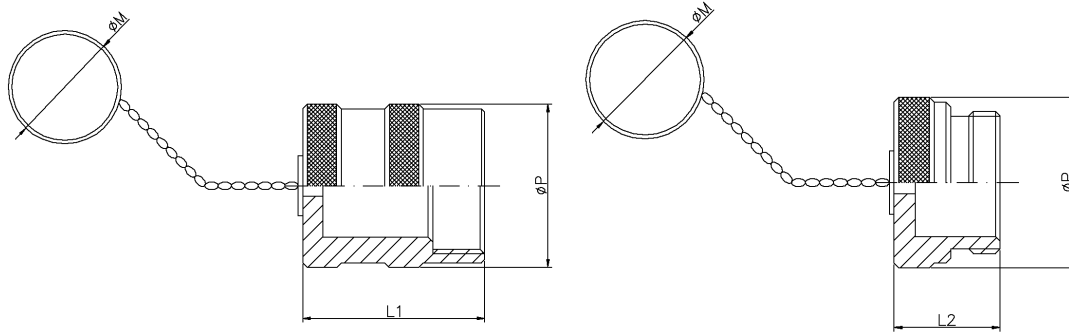
SERIE TGW

TGW SERIES

Cód. Macho - Male	DN	R1	Rosca Thread	P Bar	C	ØA	R2	EC	L
0221810040	06	1/4"	BSP	950	36	14,9	M27x1,5	19	72
0221812040	06	1/4"	NPT	950	36	14,9	M27x1,5	19	72
0221810060	10	3/8"	BSP	750	40,5	18,95	M30x1,5	22	81
0221812060	10	3/8"	NPT	750	40,5	18,95	M30x1,5	22	81
0221810080	13	1/2"	BSP	750	46	22	M35x1,5	27	92
0221812080	13	1/2"	NPT	750	46	22	M35x1,5	27	92
0221810120	20	3/4"	BSP	650	56	28,95	M45x1,5	35	112
0221812120	20	3/4"	NPT	650	56	28,95	M45x1,5	35	112
0221810160	25	1"	BSP	450	63	36	M54x1,5	41	126
0221812160	25	1"	NPT	450	63	36	M54x1,5	41	126
0221810200	32	1"1/4	BSP	450	75	49,8	M70x2	58	150
0221812200	32	1"1/4	NPT	450	75	49,8	M70x2	58	150
0221810240	40	1"1/2	BSP	300	83,5	55	M78x2	61	167
0221812240	40	1"1/2	NPT	300	83,5	55	M78x2	61	167
0221810320	50	2"	BSP	300	118	69,4	M92x3	71	237
0221812320	50	2"	NPT	300	118	69,4	M92x3	71	237

Cód. Hembra - Female	DN	R1	Rosca Thread	P Bar	D	R2	S2	EC
0221820040	06	1/4"	BSP	950	59	M27x1,5	32	19
0221822040	06	1/4"	NPT	950	59	M27x1,5	32	19
0221820060	10	3/8"	BSP	750	67	M30x1,5	36	22
0221822060	10	3/8"	NPT	750	67	M30x1,5	36	22
0221820080	13	1/2"	BSP	750	73,5	M35x1,5	41	27
0221822080	13	1/2"	NPT	750	73,5	M35x1,5	41	27
0221820120	20	3/4"	BSP	650	89,5	M45x1,5	50	35
0221822120	20	3/4"	NPT	650	89,5	M45x1,5	50	35
0221820160	25	1"	BSP	450	102,5	M54x1,5	65	41
0221822160	25	1"	NPT	450	102,5	M54x1,5	65	41
0221820200	32	1"1/4	BSP	450	130,5	M70x2	80	58
0221822200	32	1"1/4	NPT	450	130,5	M70x2	80	58
0221820240	40	1"1/2	BSP	300	143,5	M78x2	85	61
0221822240	40	1"1/2	NPT	300	143,5	M78x2	85	61
0221820320	50	2"	BSP	300	203,5	M92x3	105	71
0221822320	50	2"	NPT	300	203,5	M92x3	105	71

VALVULAS Y ENCHUFES DE ALTA PRESION HIGH PRESSURE VALVES

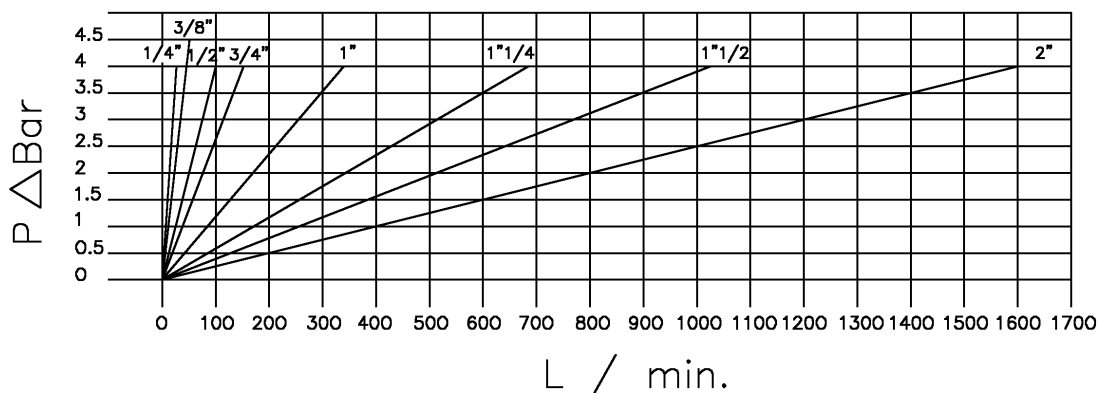


541

Cód. Tapón - Cap	DN	ØM	ØP	L1	L2	Cód. Tapa - Plug
0229060060	06	25	32	30	18,5	0229070060
0229060100	10	30	35	37	20,5	0229070100
0229060130	13	30	40	38	20,5	0229070130
0229060200	20	42	50	46	25,5	0229070200
0229060250	25	50	60	55	27	0229070250
0229060320	32	50	75	74	39	0229070320
0229060400	40	50	85	72	41	0229070400
0229060500	50	50	99	121	43	0229070500

SERIE TGW

TGW SERIES



Intercambiables:

- GROMELLE 6000

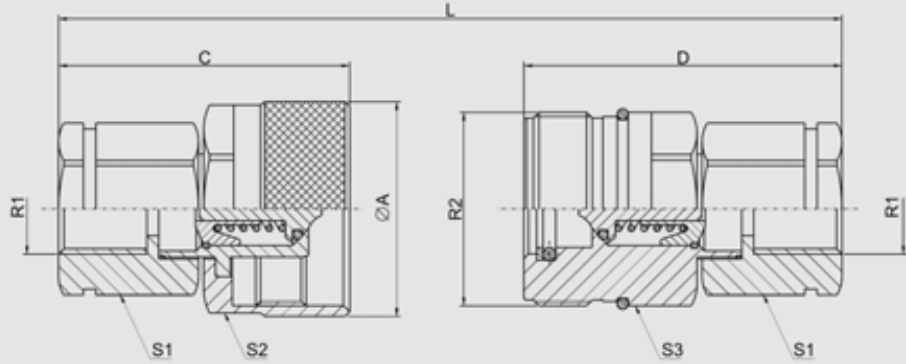
Fabricados para aplicaciones hidráulicas a alta presión.
Disponibles con cierre a válvula.
Roscas BSP, NPT.
Sectores: Industrial
Bajo Demanda en AISI 316.
Temperatura de trabajo: -25° C a +125° C con juntas NBR.

Compatible with:

- GROMELLE 6000

Designed for high pressure applications.
Available with poppet value, BSP, NPT threads.
Sectors: Industrial
AISI 316 available under request.
Working temperature: -25° C to +125° C with NBR o-rings.

VALVULAS Y ENCHUFES DE ALTA PRESION HIGH PRESSURE VALVES



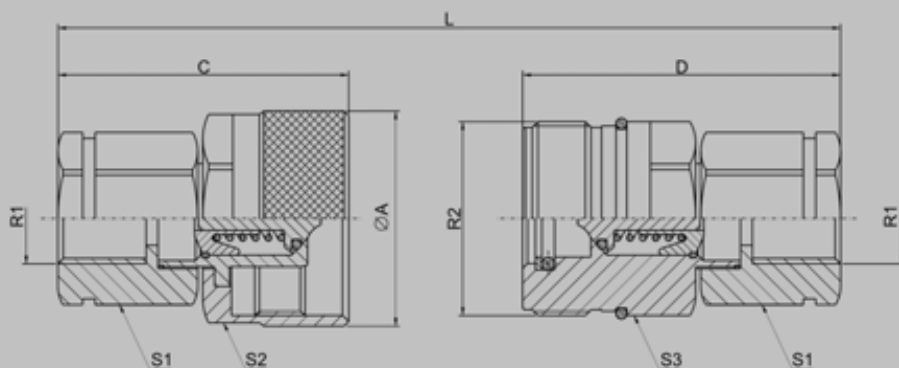
542

SERIE STG

STG SERIES

Cód. Macho - Male	DN	R1	Rosca Thread	P Bar	C	ØA	S1	S2	L
0221650040	6	1/4"	BSP	450	59.3	34	19	30	94
0221652040	6	1/4"	NPT	450	59.3	34	19	30	94
0221654210	6	M14x1,5	MÉTRICO	450	59.3	34	19	30	94
0221650060	10	3/8"	BSP	450	61.2	34	22	30	98
0221652060	10	3/8"	NPT	450	61.2	34	22	30	98
0221654240	10	M16x1,5	MÉTRICO	450	61.2	34	22	30	98
0221650080	13	1/2"	BSP	400	67.5	41.8	27	36	109
0221652080	13	1/2"	NPT	400	67.5	41.8	27	36	109
0221654270	13	M18x1,5	MÉTRICO	400	67.5	41.8	27	36	109
0221654330	13	M22x1,5	MÉTRICO	400	67.5	41.8	27	36	109
0221653040	13	3/4"-16	UNF	400	67.5	41.8	27	36	109
0221653050	13	7/8"-14	UNF	400	67.5	41.8	27	36	109
0221650120	20	3/4"	BSP	400	80	48	36	41	135
0221652120	20	3/4"	NPT	400	80	48	36	41	135
0221650160	25	1"	BSP	300	83.9	59.8	41	55	152
0221652160	25	1"	NPT	300	83.9	59.8	41	55	152
0221650200	32	1"1/4	BSP	300	142	79.8	50	75	241.8
0221652200	32	1"1/4	NPT	300	142	79.8	50	75	241.8
0221650240	32	1"1/2	BSP	300	142	79.8	50	75	241.8
0221652240	32	1"1/2	NPT	300	142	79.8	50	75	241.8

VALVULAS Y ENCHUFES DE ALTA PRESION HIGH PRESSURE VALVES



543

Cód. Hembra - Female	DN	R1	Rosca Thread	P Bar	D	R2	S1	S3
0221660040	6	1/4"	BSP	450	60	Rd24x2	19	22
0221662040	6	1/4"	NPT	450	60	Rd24x2	19	22
0221664210	6	M14x1,5	MÉTRICO	450	60	Rd 24x2	19	22
0221660060	10	3/8"	BSP	450	64	Rd 28x2	22	24
0221662060	10	3/8"	NPT	450	64	Rd 28x2	22	24
0221664240	10	M16x1,5	MÉTRICO	450	64	Rd 28x2	22	24
0221660080	13	1/2"	BSP	400	70	Rd 36x2	27	32
0221662080	13	1/2"	NPT	400	70	Rd 36x2	27	32
0221664270	13	M18x1,5	MÉTRICO	400	70	Rd 36x2	27	32
0221664330	13	M22x1,5	MÉTRICO	400	70	Rd 36x2	27	32
0221663040	13	3/4"-16	UNF	400	70	Rd 36x2	27	32
0221663050	13	7/8"-14	UNF	400	70	Rd 36x2	27	32
0221660120	20	3/4"	BSP	400	86	Rd 42x2	36	36
0221662120	20	3/4"	NPT	400	86	Rd 42x2	36	36
0221660160	25	1"	BSP	300	100	Rd 48x3	41	41
0221662160	25	1"	NPT	300	100	Rd 48x3	41	41
0221660200	32	1"1/4	BSP	300	150	Rd 70x3	50	60
0221662200	32	1"1/4	NPT	300	150	Rd 70x3	50	60
0221660240	32	1"1/2	BSP	300	150	Rd 70x3	50	60
0221662240	32	1"1/2	NPT	300	150	Rd 70x3	50	60

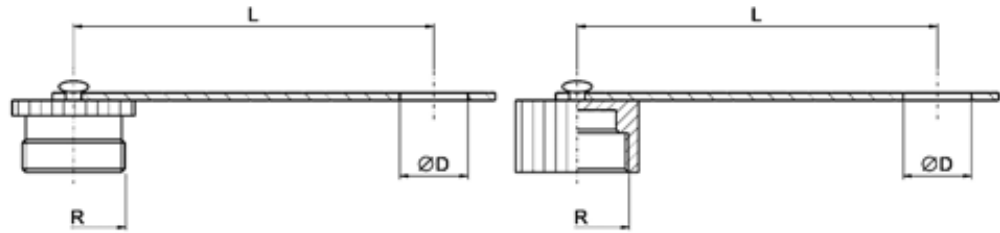
SERIE STG

STG SERIES

VALVULAS Y ENCHUFES DE ALTA PRESION HIGH PRESSURE VALVES



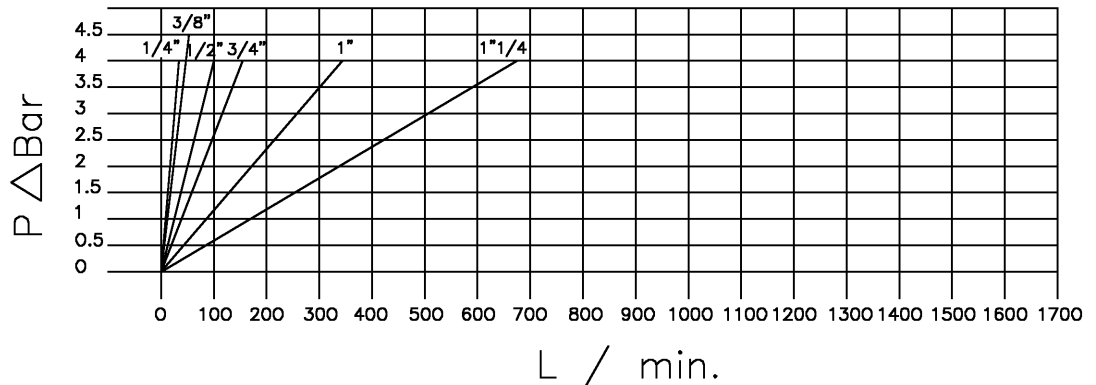
544



SERIE STG

STG SERIES

Cód. Tapón - Plug	DN	R	ØD	L	Cód. Tapa - Cap
0229080060	6	Rd24x2	20	90	0229090060
0229080100	10	Rd28x2	24	100	0229090100
0229080130	13	Rd36x2	29.5	135	0229090130
0229080200	20	Rd42x2	37	187	0229090200
0229080250	25	Rd48x2	41	145	0229090250
0229080320	32	Rd70x2	55	200	0229090320



Intercambiables:

- FASTER CVV
- ARGUS HD
- VOSMINKEL HS

Disponibles con cierre a válvula.
Roscas BSP, NPT, DIN 2353, DIN 3852, SAE/ORB.
Sectores: Industrial, Automoción, Agrícola.
Temperatura de trabajo: -25° C a +125° C con juntas NBR.

Material: Acero EN 10277-3
Juntas: NBR
Anti-Extrusión: PTFE
Muelles: Acero DIN 17233/84 (B)

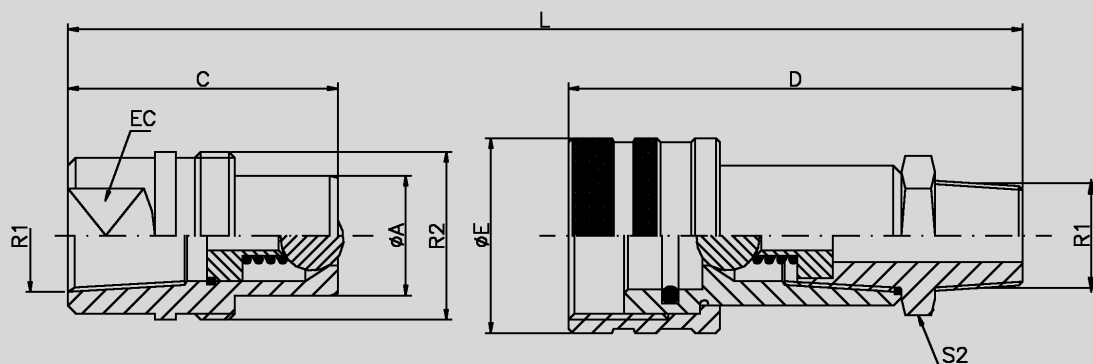
Compatible with:

- FASTER CVV
- ARGUS HD
- VOSMINKEL HS

Available with poppet valve as closing system.
BSP, NPT, DIN 2353, DIN 3852, SAE/ORB threads.
Sectors: Industrial, Automotion, Agrícola.
Working temperature: -25° C a +125° C with NBR o-rings.

Material: Carbon steel EN 10277-3
Seals: NBR
Back-up ring: PTFE
springs: Carbon steel DIN 17233/84 (B)

VALVULAS Y ENCHUFES DE ALTA PRESION HIGH PRESSURE VALVES



545

Cód. Macho - Male	DN	R1	Rosca Thread	P Bar	C	ØA	R2	EC	L
0221862040	6	1/4"	NPT	700	39	15.85	1" UN	27	83.5
0221862060	10	3/8"	NPT	700	38.88	18.99	1"3/16 UN	32	93.79

SERIE HPA

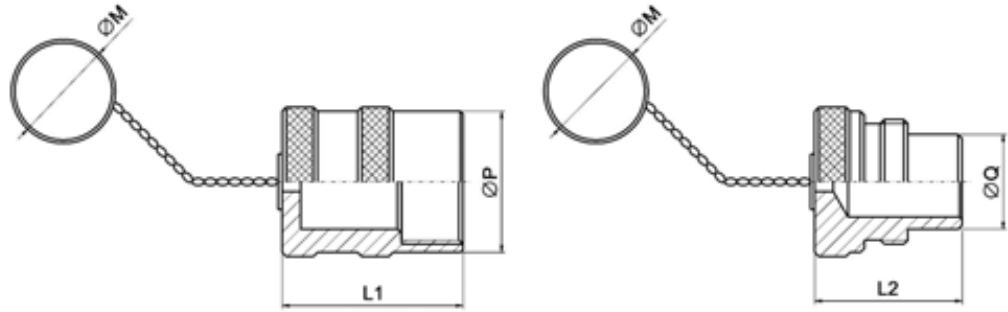
HPA SERIES

Cód. Hembra - Female	DN	R1	Rosca Thread	P Bar	D	ØE	S2
0221872040	6	1/4"	NPT	700	60.5	30	19
0221872060	10	3/8"	NPT	700	70.65	34.5	24

VALVULAS Y ENCHUFES DE ALTA PRESION HIGH PRESSURE VALVES



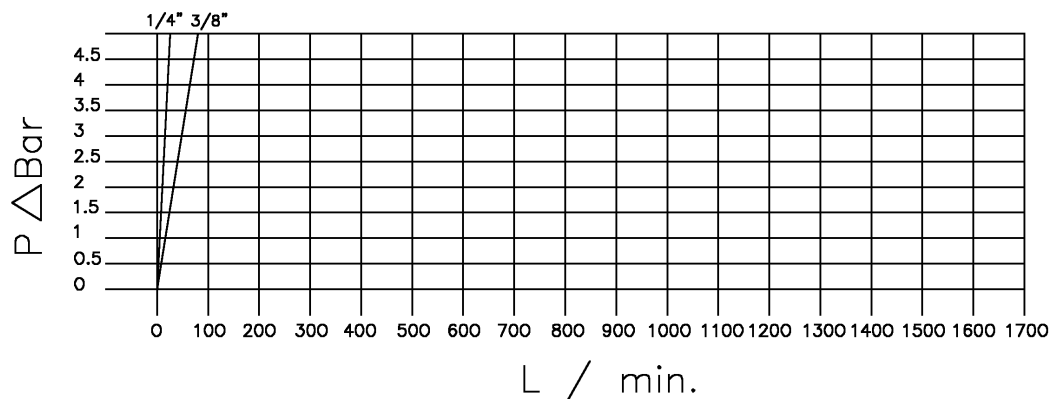
546



SERIE HPA

HPA SERIES

Cód. Tapón - Cap.	DN	ØM	ØP	ØQ	L1	L2	Cód. Tapa - Plug
0229100060	6	25	29	15.85	28	24	0229110060
0229100100	10	30	34	19	34	28	0229110100



Intercambiables:

- ENERPAC C-604
- PARKER 3000
- CEJN 230

Diseñado para sistemas en cilindros, gatos hidráulicos y aplicaciones similares.
Disponibles con cierre a válvula.
Roscas NPT.
Sectores: Industrial.
Temperatura de trabajo: -25° C a +125° C con juntas NBR

Material: Acero EN 10277-3
Juntas: NBR
Anti-Extrusión: PTFE
Bolas: AISI 1010/1015
Muelles: Acero DIN 17233/84 (B)

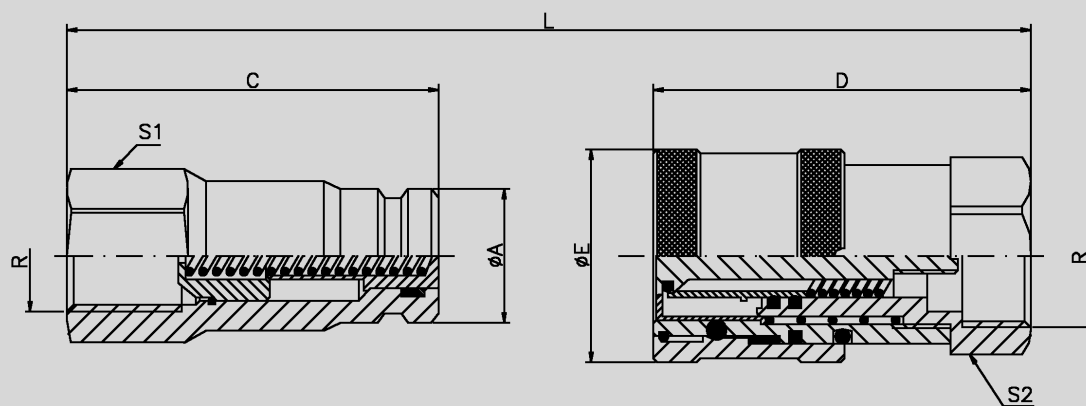
Compatible with:

- ENERPAC C-604
- PARKER 3000
- CEJN 230

Designed for cilindres, hand pumas and similar high hydraulic applications.
Available with ball as closing system.
NPT thread.
Sectors: Industrial.
Working temperature: -25° C a +125° C with NBR o-ring.

Material: Carbon steel EN 10277-3
Seals: NBR
Back-up ring: PTFE
Balls: AISI 1010/1015
Springs: Carbon steel DIN 17233/84 (B)

VALVULAS Y ENCHUFES DE ALTA PRESION HIGH PRESSURE VALVES



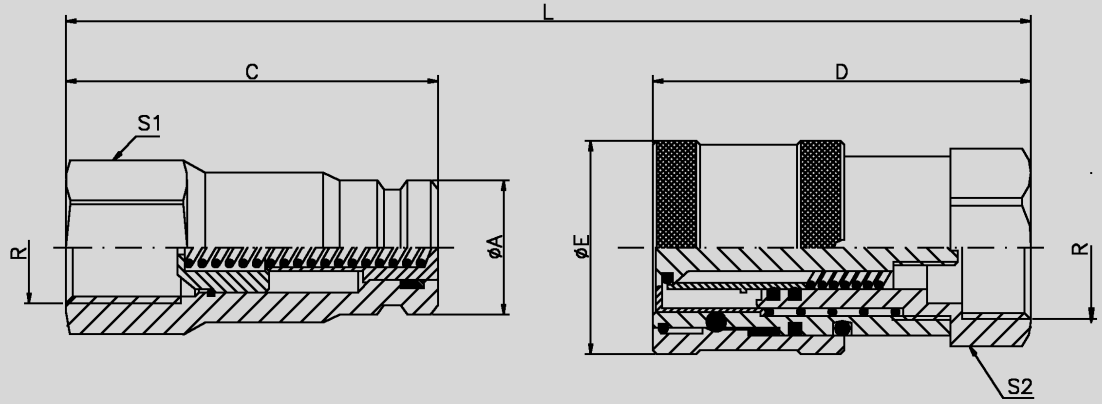
547

Cód. Macho - Male	DN	R	Rosca Thread	P Bar	C	ØA	S1	L
0220640040	7	1/4"	BSP	300	48	16.2	22	85.5
0220642040	7	1/4"	NPT	300	48	16.2	22	85.5
0220640060	9	3/8"	BSP	300	62.5	19.8	24	116.5
0220642060	9	3/8"	NPT	300	62.5	19.8	24	116.5
0220643040	9	3/4"-16	UNF	300	62.5	19.8	24	116.5
0220640080	13	1/2"	BSP	250	62.5	24.5	27	134.5
0220642080	13	1/2"	NPT	250	62.5	24.5	27	134.5
0220643050	13	7/8"-14	UNF	250	62.5	24.5	27	134.5
0220640120	15	3/4"	BSP	250	70.5	27	36	132
0220642120	15	3/4"	NPT	250	70.5	27	36	132
0220643080	15	1"1/16-12	UNF	250	70.5	27	36	132
0220640160	17	1"	BSP	250	82.5	30	45	154
0220642160	17	1"	NPT	250	82.5	30	45	154
0220643100	17	1"5/16	UNF	250	82.5	30	45	154
0220640200	21	1"1/4	BSP	250	90	36	55	173
0220642200	21	1"1/4	NPT	250	90	36	55	173
0220640240	30	1"1/2	BSP	200	111	57	70	215
0220642240	30	1"1/2	NPT	200	111	57	70	215
0220640320	45	2"	BSP	180	125	73	75	

SERIE FIRG

FIRG SERIES

VALVULAS Y ENCHUFES DE ALTA PRESION HIGH PRESSURE VALVES



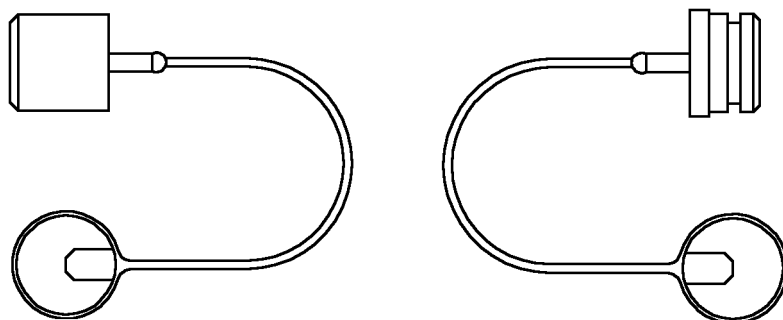
548

SERIE FIRG

FIRG SERIES

Cód. Hembra - Female	DN	R	Rosca Thread	P Bar	D	ØE	S2
0220620040	7	1/4"	BSP	300	48	28	22
0220622040	7	1/4"	NPT	300	48	28	22
0220620060	9	3/8"	BSP	300	64.5	32	27
0220622060	9	3/8"	NPT	300	64.5	32	27
0220623040	9	3/4"-16	UNF	300	64.5	32	27
0220620080	13	1/2"	BSP	250	80.5	38	32
0220622080	13	1/2"	NPT	250	80.5	38	32
0220623050	13	7/8"-14	UNF	250	80.5	38	32
0220620120	15	3/4"	BSP	250	78	42	36
0220622120	15	3/4"	NPT	250	78	42	36
0220623080	15	1"1/16-12	UNF	250	78	42	36
0220620160	17	1"	BSP	250	92.5	48	45
0220622160	17	1"	NPT	250	92.5	48	45
0220623100	17	1"5/16	UNF	250	92.5	48	45
0220620200	21	1"1/4	BSP	250	105	55	55
0220622200	21	1"1/4	NPT	250	105	55	55
0220620240	30	1"1/2	BSP	200	132.5	80	65
0220622240	30	1"1/2	NPT	200	132.5	80	65
0220620320	45	2"	BSP	180	165	100	80

VALVULAS Y ENCHUFES DE ALTA PRESION HIGH PRESSURE VALVES

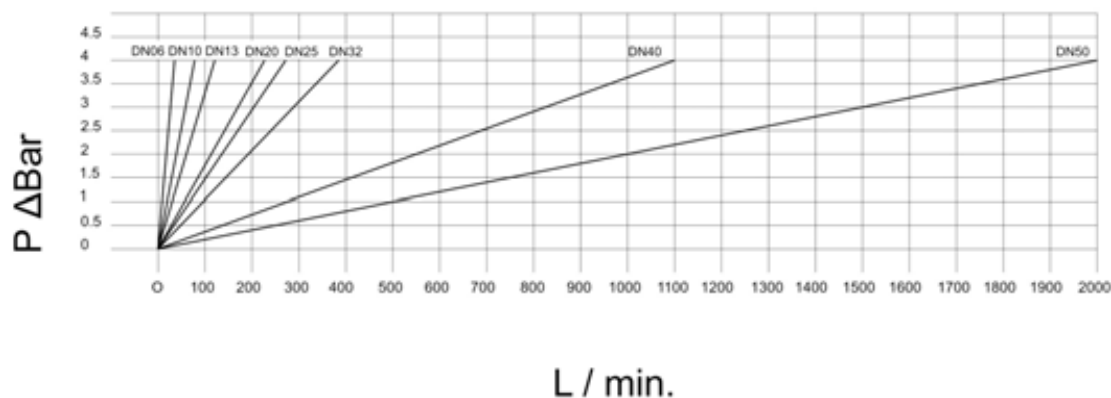


549

Cód. Tapón - Cap	DN	Cód. Tapa - Plug
0229120070	7	0229130070
0229120090	9	0229130090
0229120130	13	0229130130
0229120150	15	0229130150
0229120170	17	0229130170

SERIE FIRG

FIRG SERIES



Intercambiables:

- FASTER 2FFI
- PARKER FEM
- AEROQUIP FD89
- SNAP-TITE 74

Fabricados según norma ISO 16028
Disponibles con cierre a válvula plana que evitan la pérdida de fluido durante la conexión y desconexión.
Roscas BSP, NPT, SAE/ORB.
Sectores: Industrial, Maquinaria obras públicas.
Temperatura de trabajo: -25° C a +125° C con juntas NBR

Material: Acero EN 10277-3
Juntas: NBR
Anti-Extrusión: PTFE
Bolas: AISI 1010/1015
Muelles: Acero DIN 17233/84 (B)

Compatible with:

- FASTER 2FFI
- PARKER FEM
- AEROQUIP FD89
- SNAP-TITE 74

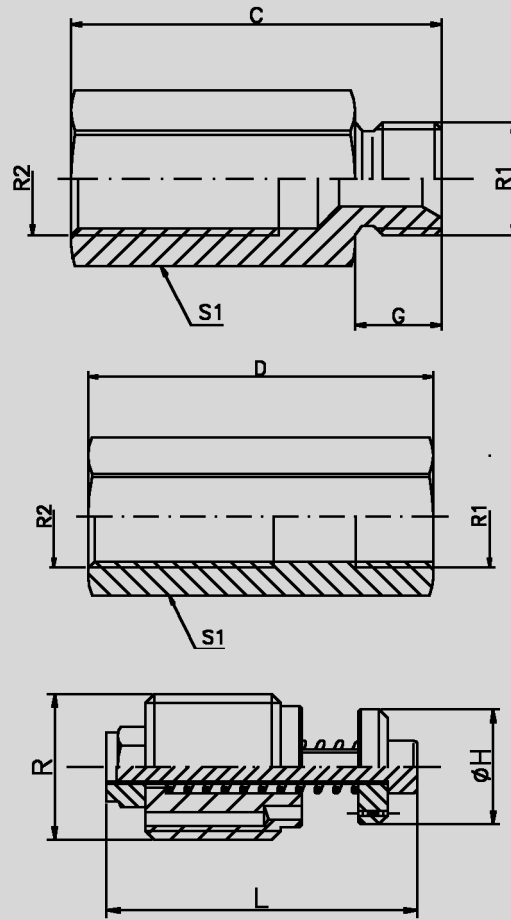
Manufactured according ISO 16028 norm.
Available with a flange poppet valve that avoid leakages during the connection and disconnection...
BSP, NPT, SAE/ORB threads.
Sectors: Industrial, building machinery.
Working temperature: -25° C a +125° C with NBR o-rings.

Material: Carbon steel EN 10277-3
Seals: NBR
Back-up ring: PTFE
Balls: AISI 1010/1015
Springs: Carbon steel DIN 17233/84 (B)

VALVULAS Y ENCHUFES DE ALTA PRESION HIGH PRESSURE VALVES



550



**SERIE VPC
VALVULA PARACAIDAS**

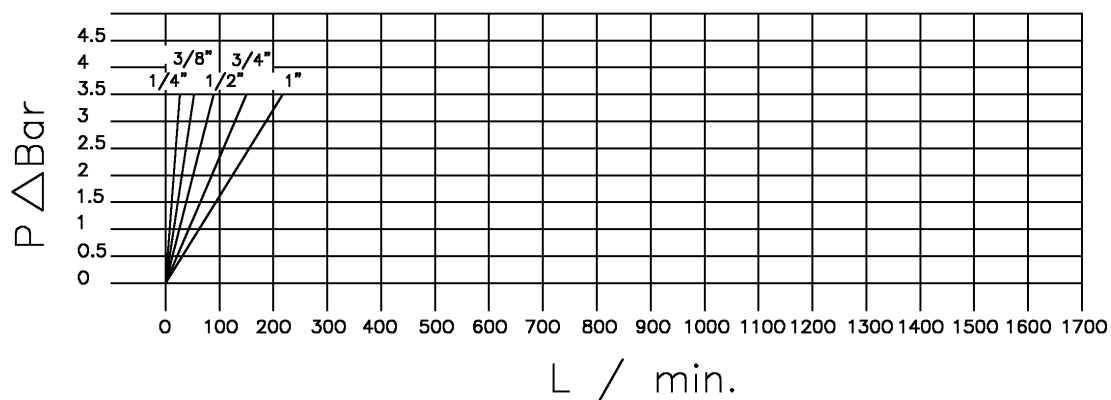
**VPC SERIES
HOSE BREAK VALVE**

Cód. Macho - Male	DN	R1	R2	Rosca Thread	P Bar	C	G	S1
0221960040	6	1/4"	1/4"	BSP	350	50	12	19
0221960060	10	3/8"	3/8"	BSP	350	59	13	22
0221960080	13	1/2"	1/2"	BSP	350	65	15	27
0221960120	20	3/4"	3/4"	BSP	350	78	16	36
0221960160	25	1"	1"	BSP	350	92	18	41

Cód. Hembra - Female	DN	R1	R2	Rosca Thread	P Bar	D	S1
0221970040	6	1/4"	1/4"	BSP	350	48	19
0221970060	10	3/8"	3/8"	BSP	350	59	22
0221970080	13	1/2"	1/2"	BSP	350	62	27
0221970120	20	3/4"	3/4"	BSP	350	72	36
0221970160	25	1"	1"	BSP	350	86	41

Código Cartucho - Cartridge	DN	R	Rosca Thread	P Bar	ØH	L
0221980040	6	1/4"	BSP	350	10	23
0221980060	10	3/8"	BSP	350	13.8	23
0221980080	13	1/2"	BSP	350	16	34
0221980120	20	3/4"	BSP	350	20	34
0221980160	25	1"	BSP	350	24	43

VALVULAS Y ENCHUFES DE ALTA PRESION HIGH PRESSURE VALVES



551

Diseñados para actuar en caso de rotura de manguera.

Bloquean / controlan el descenso de la carga evitando la rápida caída de presión en el circuito y posibles accidentes.

Roscas BSP.

Sectores: Industrial.

Temperatura de trabajo: -25° C a +125° C con juntas NBR

Material: Acero EN 10277-3

Muelles: Acero DIN 17233/84 (B)

Designed to act in case of hose rupture.

Block / Control the descent of the charge avoiding the fast fall of the pressure on the circuit, consequently possible accidents.

BSP Threads.

Sectors: Industrial.

Working temperature: -25° C a +125° C with NBR o-rings.

Material: Carbon steel EN 10277-3

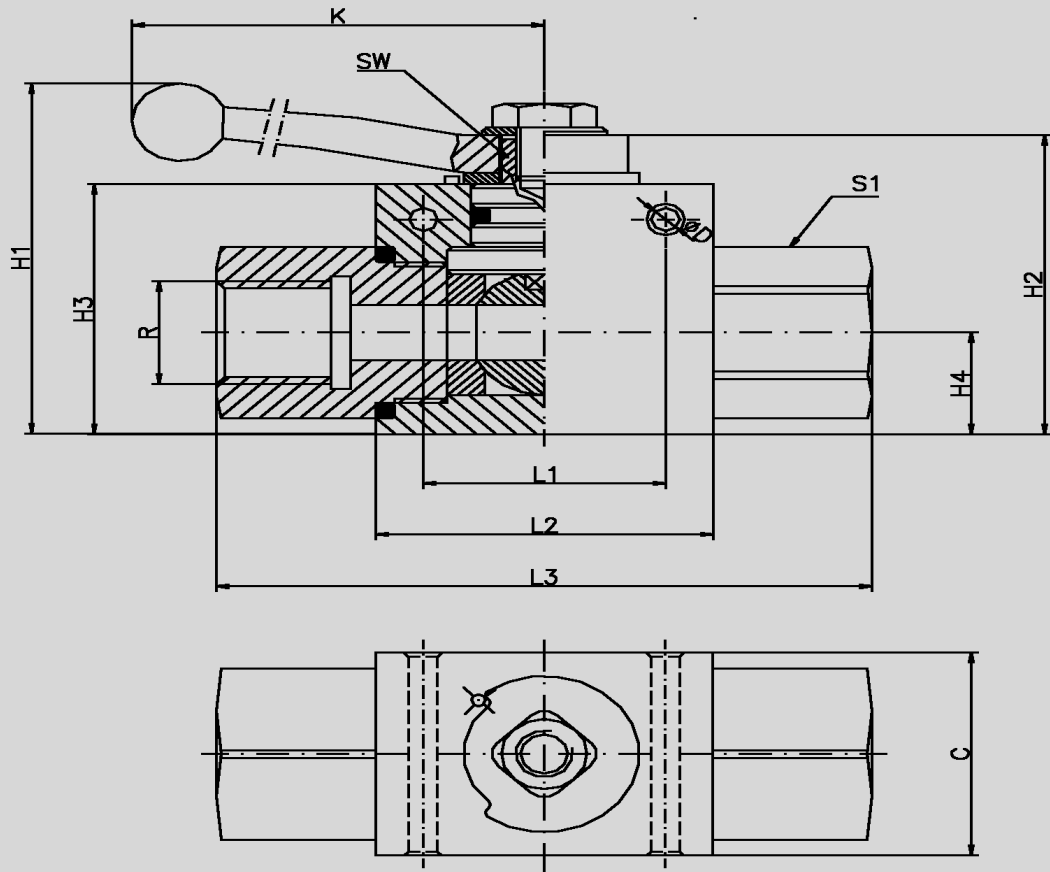
Springs: Carbon steel DIN 17233/84 (B)

**SERIE VPC
VALVULA PARACAIDAS**

**VPC SERIES
HOSE BREAK VALVE**

VALVULAS Y ENCHUFES DE ALTA PRESION HIGH PRESSURE VALVES

552



SERIE BKH

BKH SERIES

Cód.	DN	R	Rosca Thread	P Bar	L1	L2	L3	H1	H2	H3	H4	K	SW	S1	C	ØD
0230500040	6	1/4"	BSP	500	31.5	40	74.6	71	45.5	35	13	105.5	8.9	22	26	4.5
0230502040	6	1/4"	NPT	500	31.5	40	74.6	71	45.5	35	13	105.5	8.9	22	26	4.5
0230503010	6	7/16"-20	UNF	500	31.5	40	74.6	71	45.5	35	13	105.5	8.9	22	26	4.5
0230500060	10	3/8"	BSP	500	31.5	45	75.4	76	50.5	40	16	105.5	8.9	27	32	5.2
0230502060	10	3/8"	NPT	500	31.5	45	75.4	76	50.5	40	16	105.5	8.9	27	32	5.2
0230503030	10	9/16"-18	UNF	500	31.5	45	75.4	76	50.5	40	16	105.5	8.9	27	32	5.2
0230500080	13	1/2"	BSP	500	38.5	50	84.5	81	55.5	45	17.5	105.5	8.9	30	35	6.5
0230502080	13	1/2"	NPT	500	38.5	50	84.5	81	55.5	45	17.5	105.5	8.9	30	35	6.5
0230503040	13	3/4"-16	UNF	500	38.5	50	84.5	81	55.5	45	17.5	105.5	8.9	30	35	6.5
0230500120	20	3/4"	BSP	400	48.5	60	93.4	108	73	58	23	159.5	13.9	41	50	6.5
0230502120	20	3/4"	NPT	400	48.5	60	93.4	108	73	58	23	159.5	13.9	41	50	6.5
0230503080	20	1" 1/16-12	UNF	400	48.5	60	93.4	108	73	58	23	159.5	13.9	41	50	6.5
0230500160	25	1"	BSP	350	50.5	65	114.5	115	80	65	27.5	159.5	13.9	46	57	8.5
0230502160	25	1"	NPT	350	50.5	65	114.5	115	80	65	27.5	159.5	13.9	46	57	8.5
0230503100	25	1" 5/16-12	UNF	350	50.5	65	114.5	115	80	65	27.5	159.5	13.9	46	57	8.5
0230500200	32	1" 1/4	BSP	320		80	110	135	100	85	41	159.5	13.9	55	78	
0230502200	32	1" 1/4	NPT	320		80	110	135	100	85	41	159.5	13.9	55	78	
0230503110	32	1" 5/8-12	UNF	320		80	110	135	100	85	41	159.5	13.9	55	78	
0230500240	40	1" 1/2	BSP	320		85	120	176	114	95	44.5	214	16.98	65	85	
0230502240	40	1" 1/2	NPT	320		85	120	176	114	95	44.5	214	16.98	65	85	
0230500320	50	2"	BSP	320		100	140	191	129	110	52	214	16.98	80	100	
0230502320	50	2"	NPT	320		100	140	191	129	110	52	214	16.98	80	100	

VALVULAS Y ENCHUFES DE ALTA PRESION HIGH PRESSURE VALVES

Intercambiables:

- PISTER BKH
- MHA BKH
- HYDAC KHB
- DMIC BVH

Fabricados en acero calibrado.
Disponibles con y sin taladros de montaje.
Roscas BSP, NPT, SAE/ORB.
Sectores: Agrícola, Industrial.
Temperatura de trabajo: -25° C a +125° C
con juntas NBR.

Material: Acero EN 10277-3
Juntas: NBR
Asiento Bola: P.O.M. (Delrin)
Maneta: Zamak-5

Compatible with:

- PISTER BKH
- MHA BKH
- HYDAC KHB
- DMIC BVH

Manufactured in calibrated steel.
Available with and without mounting holes.
BSP, NPT, SAE/ORB threads.
Sectors: Agricultural, Industrial.
Working temperature: -25° C a +125° C with
NBR o-rings.

Material: Carbon steel EN 10277-3
Seals: NBR
Skating ball: P.O.M. (Delrin)
Handle: Zamak-5



553

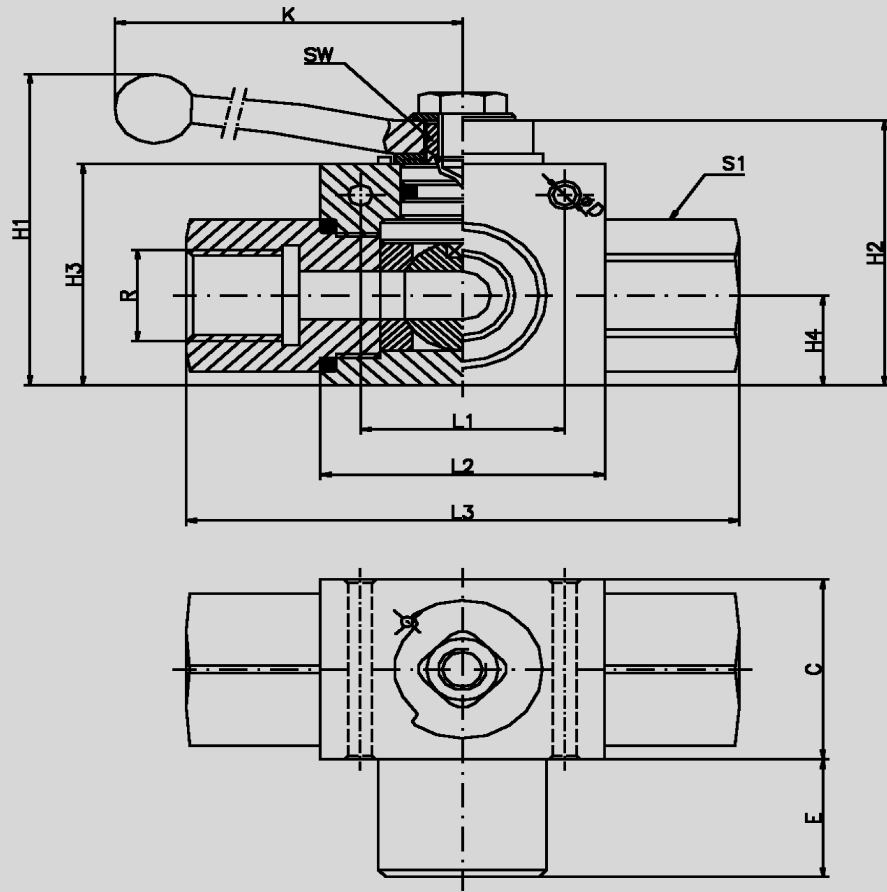
SERIE BKH

BKH SERIES

VALVULAS Y ENCHUFES DE ALTA PRESION HIGH PRESSURE VALVES



554



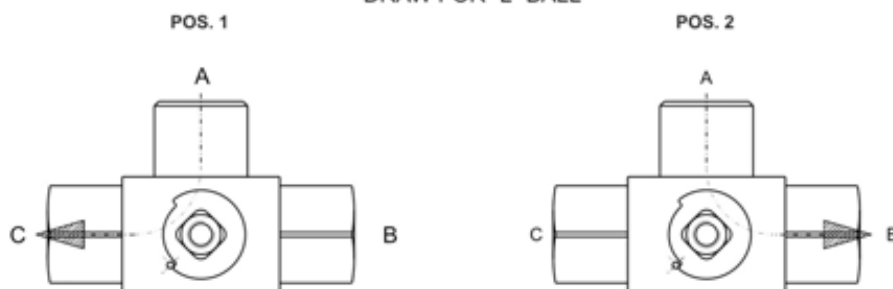
**SERIE BK3
HEMBRA**

**FEMALE
BK3 SERIES**

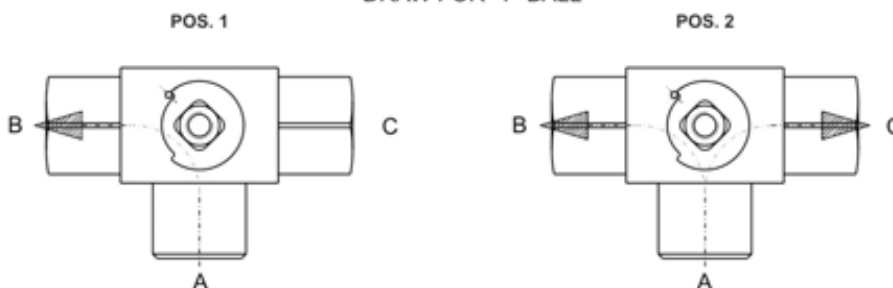
Cód. "L"	Cód. "T"	DN	R	Rosca Thread	P Bar	L1	L2	L3	H1	H2	H3	H4	K	SW	S1	C	E	ØD
0230600040	0230550040	6	1/4"	BSP	500	31.5	40	72.6	71	45.5	35	13	105.5	8.9	22	26	13	4.5
0230602040	0230552040	6	1/4"	NPT	500	31.5	40	72.6	71	45.5	35	13	105.5	8.9	22	26	13	4.5
0230603010	0230553010	6	7/16"-20	UNF	500	31.5	40	72.6	71	45.5	35	13	105.5	8.9	22	26	14	4.5
0230600060	0230550060	10	3/8"	BSP	500	31.5	45	75.4	76	50.5	40	16	105.5	8.9	27	32	15	5.2
0230602060	0230552060	10	3/8"	NPT	500	31.5	45	75.4	76	50.5	40	16	105.5	8.9	27	32	15	5.2
0230603030	0230553030	10	9/16"-18	UNF	500	31.5	45	75.4	76	50.5	40	16	105.5	8.9	27	32	16	5.2
0230600080	0230550080	13	1/2"	BSP	500	38.5	50	74.7	81	55.5	45	17.5	105.5	8.9	30	35	19.5	6.5
0230602080	0230552080	13	1/2"	NPT	500	38.5	50	74.7	81	55.5	45	17.5	105.5	8.9	30	35	19.5	6.5
0230603040	0230553040	13	3/4"-16	UNF	500	38.5	50	74.7	81	55.5	45	17.5	105.5	8.9	30	35	19.5	6.5
0230600120	0230550120	20	3/4"	BSP	400	48.5	60	85.6	108	73	60	23	159.5	13.9	41	50	19	6.5
0230602120	0230552120	20	3/4"	NPT	400	48.5	60	85.6	108	73	60	23	159.5	13.9	41	50	19	6.5
0230603080	0230553080	20	1"1/16-12	UNF	400	48.5	60	85.6	108	73	60	23	159.5	13.9	41	50	21	6.5
0230600160	0230550160	25	1"	BSP	350	50.5	65	114.5	115	80	65	27.5	159.5	13.9	46	57	25	8.5
0230602160	0230552160	25	1"	NPT	350	50.5	65	114.5	115	80	65	27.5	159.5	13.9	46	57	25	8.5
0230600200	0230550200	25	1"1/4	BSP	350	50.5	65	136.5	115	80	65	27.5	159.5	13.9	50	57	31	8.5
0230602200	0230552200	25	1"1/4	NPT	350	50.5	65	136.5	115	80	65	27.5	159.5	13.9	50	57	25	8.5
0230600240	0230550240	25	1"1/2	BSP	350	50.5	65	146.5	115	80	65	27.5	159.5	13.9	55	57	32	8.5
0230602240	0230552240	25	1"1/2	NPT	350	50.5	65	146.5	115	80	65	27.5	159.5	13.9	55	57	25	8.5
0230603100	0230553100	25	1"5/16-12	UNF	350	50.5	65	114.5	115	80	65	27.5	159.5	13.9	46	57	25	8.5

VALVULAS Y ENCHUFES DE ALTA PRESION HIGH PRESSURE VALVES

ESQUEMA BOLA EN "L"
DRAW FOR "L" BALL



ESQUEMA BOLA EN "T"
DRAW FOR "T" BALL



555

Intercambiables:

- PISTER BK3
- MHA BK3
- HYDAC KHB3K

Fabricados en acero calibrado.
Disponibles con y sin taladros de montaje.
Roscas BSP, NPT, SAE/ORB.
Sectores: Agrícola, Industrial.
Temperatura de trabajo: -25° C a +125° C
con juntas NBR.

Material: Acero EN 10277-3
Juntas: NBR
Asiento Bola: P.O.M. (Delrin)
Maneta: Zamak-5

Compatible with:

- PISTER BK3
- MHA BK3
- HYDAC KHB3K

Manufactured in calibrated steel.
Available with and without mounting holes.
BSP, NPT, SAE/ORB threads.
Sectors: Agricultural, Industrial.
Working temperature: -25° C a +125° C with
NBR o-rings.

Material: Carbon steel EN 10277-3
Seals: NBR
Skating ball: P.O.M. (Delrin)
Handle: Zamak-5

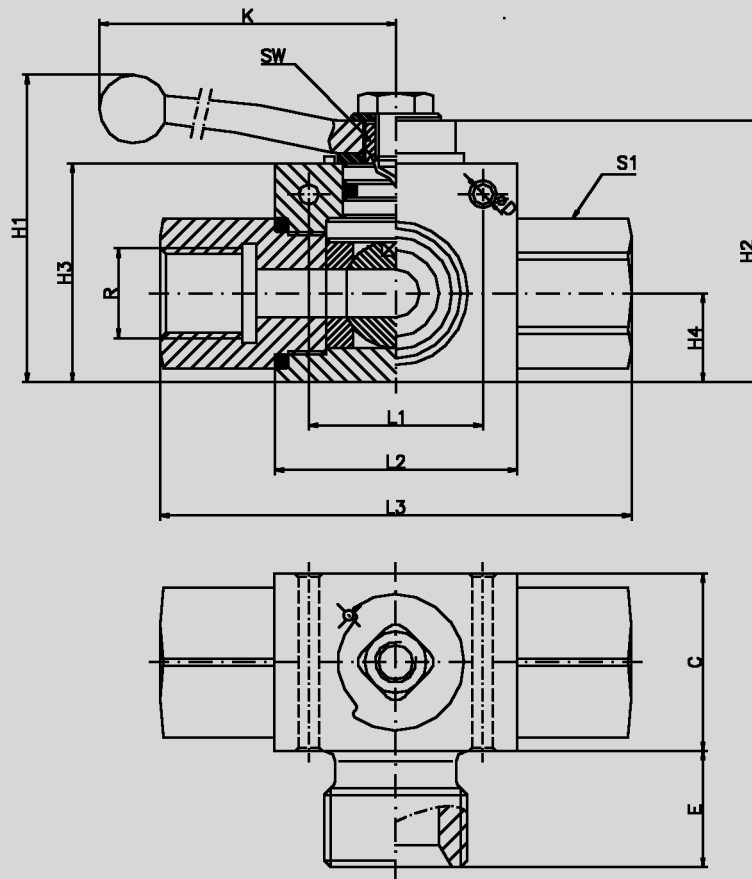
**SERIE BK3
HEMBRA**

**FEMALE
BK3 SERIES**

VALVULAS Y ENCHUFES DE ALTA PRESION HIGH PRESSURE VALVES



556



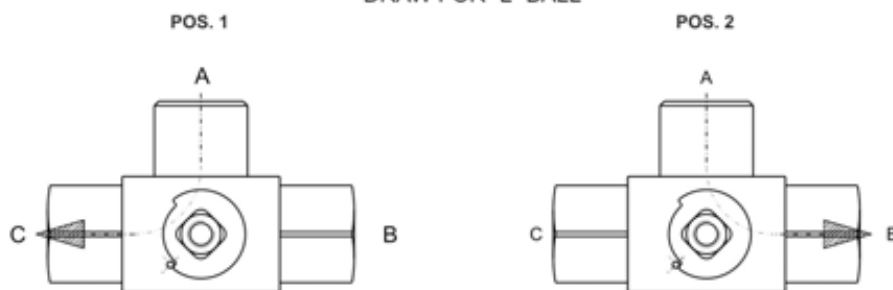
**SERIE BK3
MACHO (BSP)**

**MALE
BK3 SERIES (BSP)**

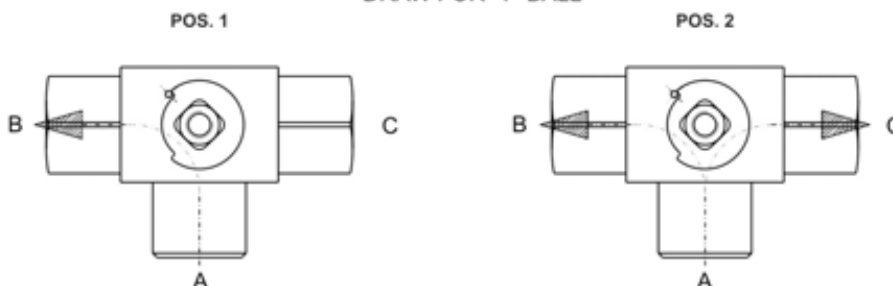
Código "L"	Código "T"	DN	R	Rosca	P Bar	L1	L2	L3	H1	H2	H3	H4	K	SW	S1	C	E	ØD
0230560040	0230610040	6	1/4"	BSP	500	31.5	40	72.6	71	45.5	35	13	105.5	8.9	22	26	13	4.5
0230560060	0230610060	10	3/8"	BSP	500	31.5	45	75.4	76	50.5	40	16	105.5	8.9	27	32	15	5.2
0230560080	0230610080	13	1/2"	BSP	500	38.5	50	84.5	81	55.5	45	17.5	105.5	8.9	30	35	17.5	6.5
0230560120	0230610120	20	3/4"	BSP	400	48.5	60	93.4	108	73	58	23	159.5	13.9	41	50	19	6.5
0230560160	0230610160	25	1"	BSP	350	50.5	65	114.5	115	80	65	27.5	159.5	13.9	46	57	25	8.5
0230560200	0230610200	25	1 1/4"	BSP	350	50.5	65	136.5	115	80	65	27.5	159.5	13.9	50	57	28	8.5
0230560240	0230610240	25	1 1/2"	BSP	350	50.5	65	146.4	115	80	65	27.5	159.5	13.9	55	57	28	8.5

VALVULAS Y ENCHUFES DE ALTA PRESION HIGH PRESSURE VALVES

ESQUEMA BOLA EN "L"
DRAW FOR "L" BALL



ESQUEMA BOLA EN "T"
DRAW FOR "T" BALL



557

Fabricados en acero calibrado.
Disponibles con y sin taladros de montaje.
Roscas BSP.
Sectores: Agrícola, Industrial.
Temperatura de trabajo: -25° C a +125° C
con juntas NBR.

Material: Acero EN 10277-3
Juntas: NBR
Asiento Bola: P.O.M. (Delrin)
Maneta: Zamak-5

Manufactured in calibrated steel.
Available with and without mounting holes..
BSP threads.
Sectors: Agricultural, Industrial.
Working temperature: -25° C a +125° C with
NBR o-rings.

Material: Carbon steel EN 10277-3
Seals: NBR
Skating ball: P.O.M. (Delrin)
Handle: Zamak-5

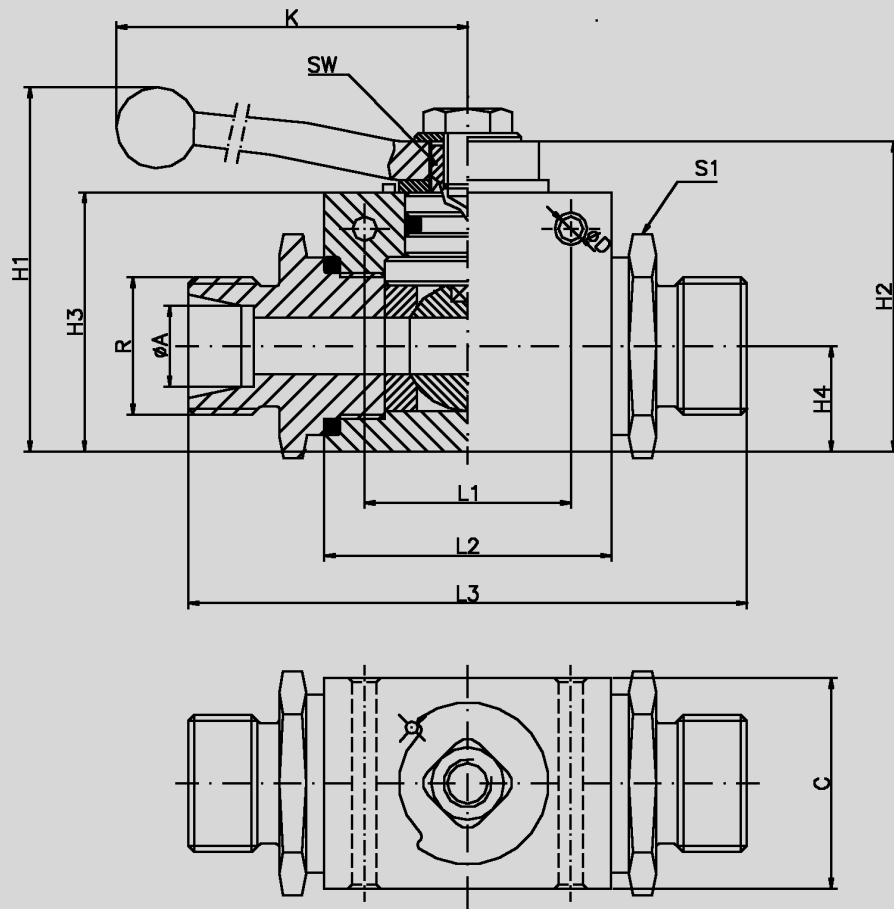
**SERIE BK3
MACHO (BSP)**

**MALE
BK3 SERIES (BSP)**

VALVULAS Y ENCHUFES DE ALTA PRESION HIGH PRESSURE VALVES



558



SERIE V2MT

V2MT SERIES

Cód.	DN	R	ØA	P Bar	L1	L2	L3	H1	H2	H3	H4	K	SW	S1	C	ØD
0230750000	6	M12x1,5	6L	500	31.5	40	78.6	71	45.5	35	13	105.5	8.9	22	26	4.5
0230750050	6	M14x1,5	8L	500	31.5	40	79.6	71	45.5	35	13	105.5	8.9	22	26	4.5
0230750550	6	M16x1,5	8S	500	31.5	40	79.6	71	45.5	35	13	105.5	8.9	22	26	4.5
0230750600	6	M18x1,5	10S	500	31.5	40	79.6	71	45.5	35	13	105.5	8.9	22	26	4.5
0230750100	10	M16X1,5	10L	500	31.5	45	77.4	76	50.5	35	16	105.5	8.9	27	32	5.2
0230750150	10	M18x1,5	12L	500	31.5	45	79.4	76	50.5	35	16	105.5	8.9	27	32	5.2
0230750650	10	M20x1,5	12S	500	31.5	45	79.4	76	50.5	35	16	105.5	8.9	27	32	5.2
0230750700	10	M22x1,5	14S	500	31.5	45	79.4	76	50.5	35	16	105.5	8.9	27	32	5.2
0230750200	13	M22x1,5	15L	500	38.5	50	92.5	81	55.5	45	17.5	105.5	8.9	30	35	6.5
0230750250	13	M26x1,5	18L	500	38.5	50	92.5	81	55.5	45	17.5	105.5	8.9	30	35	6.5
0230750750	13	M24x1,5	16S	500	38.5	50	92.5	81	55.5	45	17.5	105.5	8.9	30	35	6.5
0230750300	20	M30x2	22L	400	48.5	60	108.4	108	73	58	23	159.5	13.9	41	50	6.5
0230750800	20	M30x2	20S	400	48.5	60	108.4	108	73	58	23	159.5	13.9	41	50	6.5
0230750850	20	M36x2	25S	400	48.5	60	114.4	108	73	58	23	159.5	13.9	41	50	6.5
0230750350	25	M36x2	28L	350	50.5	65	113.5	115	80	65	27.5	159.5	13.9	46	57	8.5
0230750900	25	M42x2	30S	350	50.5	65	128.5	115	80	65	27.5	159.5	13.9	46	57	8.5
0230750400	32	M45x2	35L	320		80	146	135	100	85	41	159.5	13.9	55	78	
0230750950	32	M52x2	38S	320		80	150	135	100	85	41	159.5	13.9	55	78	

VALVULAS Y ENCHUFES DE ALTA PRESION HIGH PRESSURE VALVES

Intercambiables:

- PISTER BKH
- MHA BKH
- HYDAC KHB

Fabricados en acero calibrado.
Disponibles con y sin taladros de montaje.
Roscas DIN 2353.
Sectores: Agrícola, Industrial.
Temperatura de trabajo: -25° C a +125° C
con juntas NBR

Material: Acero EN 10277-3
Juntas: NBR
Asiento Bola: P.O.M. (Delrin)
Maneta: Zamak-5

Compatible with:

- PISTER BKH
- MHA BKH
- HYDAC KHB

Manufactured in calibrated steel.
Available with and without mounting holes.
DIN 2353 threads.
Sectors: Agricultural, Industrial.
Working temperature: -25° C a +125° C with
NBR o-rings.

Material: Carbon steel EN 10277-3
Seals: NBR
Skating ball: P.O.M. (Delrin)
Handle: Zamak-5

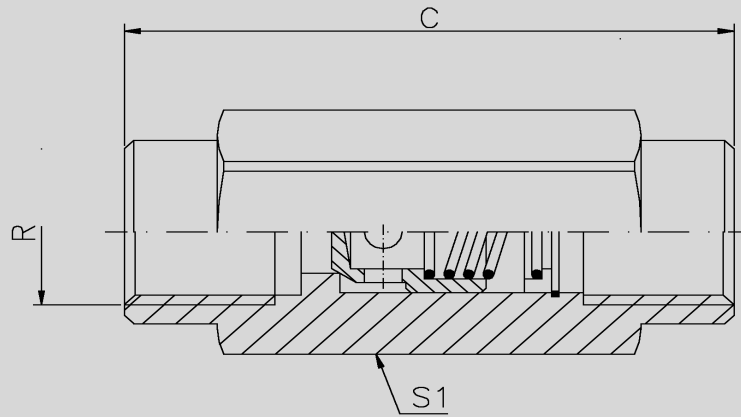


559

SERIE V2MT

V2MT SERIES

VALVULAS Y ENCHUFES DE ALTA PRESION HIGH PRESSURE VALVES



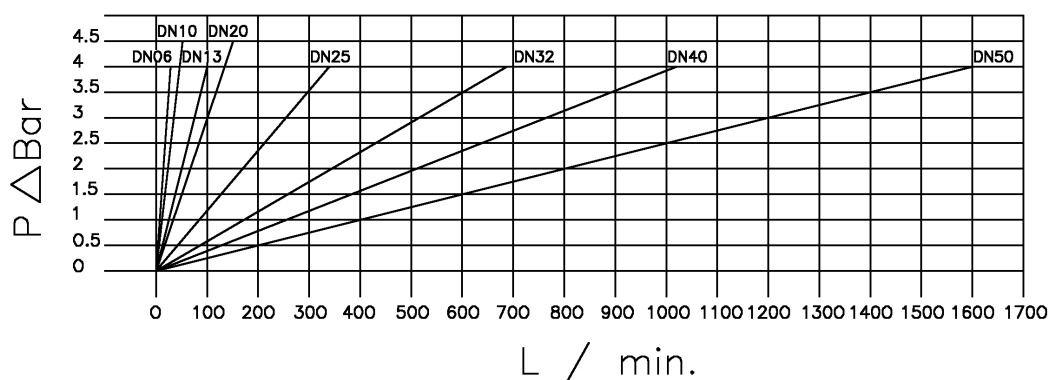
560

**SERIE VA-C
VALVULA
ANTIRRETORNO**

**VA-C SERIES
NON RETURN VALVE**

Cód.	DN	R	Rosca Thread	P Bar	C	S1
0220190020	4	1/8"	BSP	300	44	14
0220192020	4	1/8"	NPT	300	44	14
0220190040	6	1/4"	BSP	300	56	19
0220192040	6	1/4"	NPT	300	56	19
0220190060	10	3/8"	BSP	300	70	22
0220192060	10	3/8"	NPT	300	70	22
0220190080	13	1/2"	BSP	300	77	30
0220192080	13	1/2"	NPT	300	77	30
0220190120	20	3/4"	BSP	300	90	36
0220192120	20	3/4"	NPT	300	90	36
0220190160	25	1"	BSP	300	106	46
0220192160	25	1"	NPT	300	106	46
0220190200	32	1"1/4	BSP	300	125	55
0220192200	32	1"1/4	NPT	300	125	55
0220190240	40	1"1/2	BSP	300	140	60
0220192240	40	1"1/2	NPT	300	140	60
0220190320	50	2"	BSP	200	160	75
0220192320	50	2"	NPT	200	160	75

VALVULAS Y ENCHUFES DE ALTA PRESION HIGH PRESSURE VALVES



561

Intercambiables:

- GROMELLE 4000
- PARKER DC
- SNAP-TITE CPIFF
- DMIC CVH

Diseñadas para evitar el retorno del fluido en el circuito.

Cierre a válvula Metal-Metal, sin junta tórica.

Alta resistencia a los golpes de presión.

Presión de apertura Standard 5 Psi.

Roscas BSP, NPT.

Sectores: Agrícola, Industrial.

Temperatura de trabajo: -25° C a +125° C con juntas NBR

Material: Acero EN 10277-3

Muelles: Acero DIN 17233/84 (B)

Compatible with:

- GROMELLE 4000
- PARKER DC
- SNAP-TITE CPIFF
- DMIC CVH

Designed to avoid the return on the circuit.

Closing system metal-metal, without o-ring.

High resistance to the peaks of the pressure.

Standard opening pressure 5 Psi.

BSP, NPT threads.

Sectors: Agricultural, Industrial.

Working temperature: -25° C a +125° C with NBR o-rings.

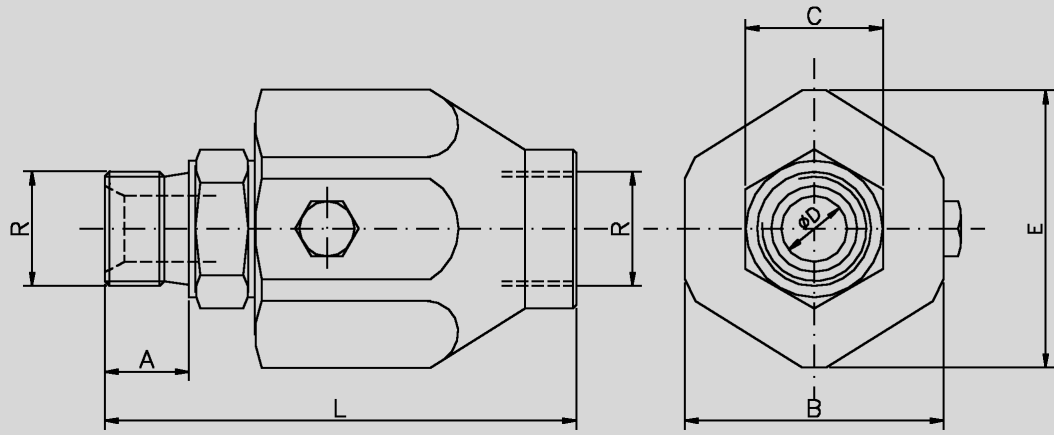
Material: Carbon steel EN 10277-3

Springs: Carbon steel DIN 17233/84 (B)

**SERIE VA-C
VALVULA
ANTIRRETORNO**

**VA-C SERIES
NON RETURN VALVE**

VALVULAS Y ENCHUFES DE ALTA PRESION HIGH PRESSURE VALVES



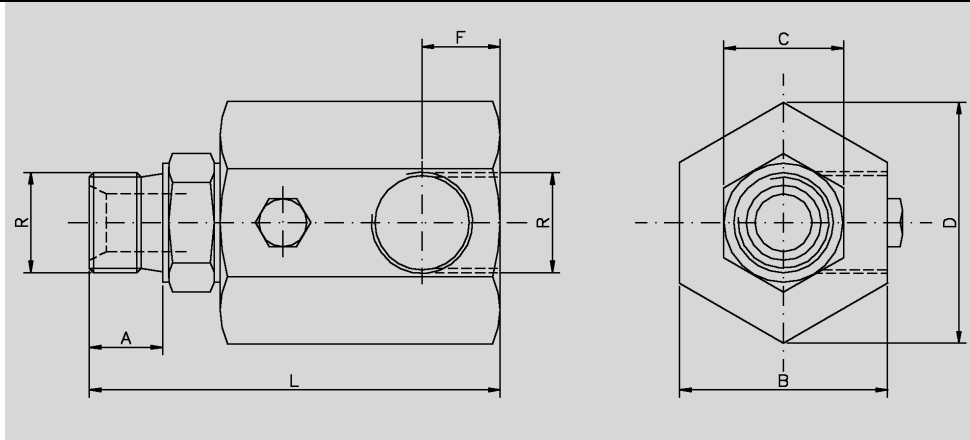
562

**RGR RACOR
GIRATORIO
(Max. 50 rev./min.)**

**RGR SWIVEL FITTING
(Max. 50 rev./min.)**

Cód.	Max. presión en rotación Max. pressure in rotation Bar	Presión max. Max. pressure Bar	Caudal max. Max. flow lts/min.	R	A	C	B	E	L
0200000040	200	400	25	1/4" BSP	11	19	30	33	61
0200000060	200	400	38	3/8" BSP	14	24	34	37	66
0200000080	150	300	60	1/2" BSP	15	27	36	40	71
0200000120	150	300	100	3/4" BSP	19	34	45	49	80
0200000160	100	300	180	1" BSP	21	41	50	55	90

VALVULAS Y ENCHUFES DE ALTA PRESION HIGH PRESSURE VALVES



563

Código	Max. presión en rotación Max. pressure in rotation Bar	Presión max. Max. pressure Bar	Caudal max. Max. flow lts/min.	R	A	F	C	B	D	L
0200110040	200	400	25	1/4" BSP	11	11	19	30	35	70
0200110060	200	400	38	3/8" BSP	14	13	24	34	39	77
0200110080	150	300	60	1/2" BSP	15	17.5	27	38	44	87
0200110120	150	300	100	3/4" BSP	19	19.5	34	50	58	100
0200110160	100	300	180	1" BSP	21	23	41	60	60	113

**RG90 RACOR
GIRATORIO EN
CODO (Max. 50
rev./min.)**

**RG90 SWIVEL
FITTING ELBOW 90°
(Max. 50 rev./min.)**

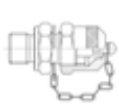


METROLOGÍA

MEASURING FLOW

METROLOGÍA – MEASURING FLOW

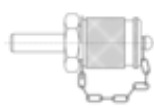
TOMAS DE PRESIÓN / CHECKING FITTINGS



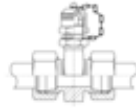
p.569



p.570



p.571



p.572



p.573



p.573



p.574

CONEXIONES DE MANÓMETRO / MANOMETER FITTINGS



DN2-630
p.574



CM-000
p.575



HM-005
p.575



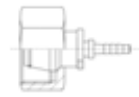
EM-010
p.576



EM-015
p.576



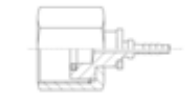
EM-020
p.577



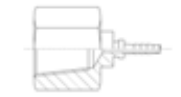
HG-016
p.577



HG-017
p.578



HM-025
p.578



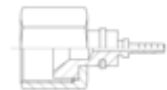
HG-026
p.579



HG-057
p.579



HG-021
p.580



HG-028
p.580



EM-029
p.581



EM-035
p.581



TF-036
p.582



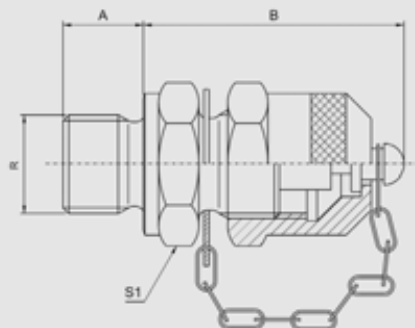
EM-058
p.582



EM-027
p.583



PM-030
p.583



569

COD.	PRES. BAR	R	A	B	S1	FORM.
0650500390	400	1/8"-27 NPTF	9,5	36	17	C
0650500400	630	1/4"-18 NPTF	14	36	17	C
0650500410	630	3/8"-18 NPTF	14,2	36	22	C
0650500170	250	M8x1	8,5	38	17	F
0650500200	400	M10x1	8	38	17	E
0650500250	630	M12x1,5	12	38	17	E
0650500260	630	M14x1,5	12	38	19	E
0650500270	630	M16x1,5	12	38	22	E
0650500150	400	1/8" BSP	8	38	17	E
0650500100	630	1/4" BSP	12	38	19	E
0650500160	630	3/8" BSP	12	38	22	E
0650500300	630	7/16"-20 UNF	11	38	17	F
0650500240*	630	1/2"-20 UNF	11	38	17	F
0650500350	630	9/16"-18 UNF	12	38	19	F
0650500360	630	3/4"-16 UNF	14	38	22	F

**TOMA DE PRESIÓN
CON ROSCA**

**THREADED CHECK
COUPLING**

* Bajo demanda
Only on request

Roscas según forma C consultar página 30

Roscas según forma E consultar página 26-27

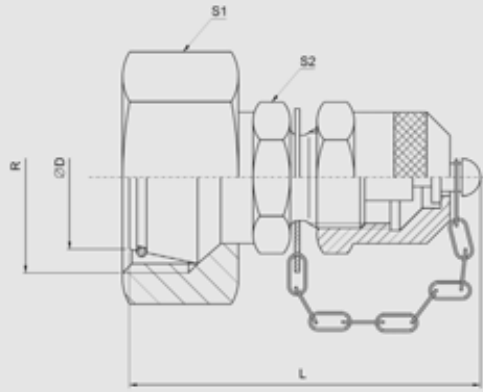
Roscas según forma F consultar página 31

C type thread on page 30

E type thread on page 26-27

F type thread on page 31

METROLOGIA MEASURING FLOW



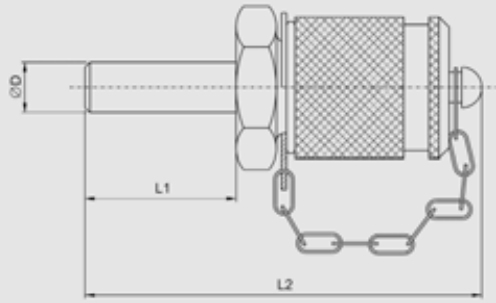
570

**TOMA DE PRESIÓN
CON CONO 24°**

*CHECK-COUPLING
WITH 24° SEALING
CONE*

COD.	PRES. BAR	ØD	R	L	S1	S2
0650510000	315	6 L	M12x1,5	65	14	17
0650510050	315	8 L	M14x1,5	66,5	17	17
0650510100	315	10 L	M16x1,5	67	19	17
0650510150	315	12 L	M18x1,5	58	22	17
0650510200	315	15 L	M22x1,5	60	27	17
0650510250	315	18 L	M26x1,5	61	32	17
0650510300	160	22 L	M30x2	59,5	36	17
0650510350	160	28 L	M36x2	66	41	17
0650510400	160	35 L	M45x2	71,5	50	17
0650510450	160	42 L	M52x2	74,5	60	17
0650510500	630	6 S	M14x1,5	65	17	17
0650510550	630	8 S	M16x1,5	66,5	19	17
0650510600	630	10 S	M18x1,5	67	22	17
0650510650	630	12 S	M20x1,5	58	24	17
0650510700	630	14 S	M22x1,5	58,5	27	17
0650510750	400	16 S	M24x1,5	61,5	30	17
0650510800	400	20 S	M30x2	60,5	36	17
0650510850	400	25 S	M36x2	65,5	46	17
0650510900	400	30 S	M42x2	67,5	50	17
0650510950	315	38 S	M52x2	69,5	60	17

METROLOGIA MEASURING FLOW



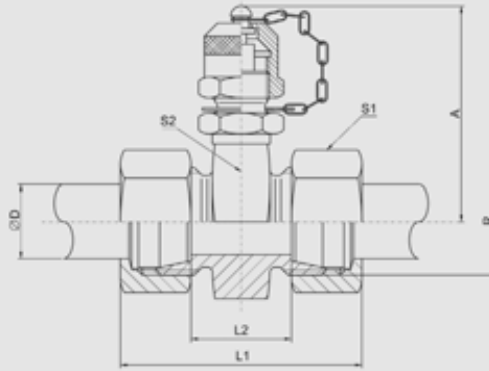
571

COD.	PRES. BAR	ØD	L1	L2
0650550060	630	6	20	57
0650550080	630	8	20	57
0650550100	630	10	20	57
0650550120	630	12	26	60

**TOMA DE PRESIÓN
CON ESPIGA LISA**

**CHECK-COUPLING
WITH STAND PIPE**

METROLOGIA MEASURING FLOW



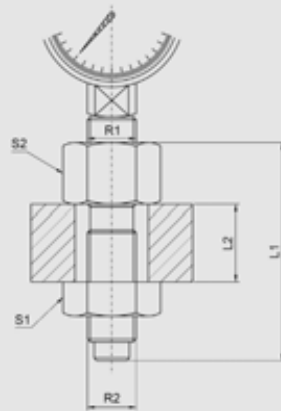
572

“T” TOMA DE
PRESIÓN CON
CONO 24°

CHECK-COUPLING
WITH STRAIGHT
TUBE CONNECTION

COD.	PRES. BAR	ØD	R	A	L1	L2	S1	S2
0650520000	315	6 L	M12x1,5	45,5	54	20	14	19
0650520050	315	8 L	M14x1,5	49	54	20	17	24
0650520100	315	10 L	M16x1,5	48	59	22	19	22
0650520150	315	12 L	M18x1,5	49	59	22	22	24
0650520200	315	15 L	M22x1,5	50,5	64	25	27	27
0650520250	160	18 L	M26x1,5	62	64	25	32	30
0650520300	160	22 L	M30x2	53	71	25	36	32
0650520350	160	28 L	M36x2	57,5	69	26	41	41
0650520400	160	35 L	M45x2	60	80	25	50	50
0650520450	160	42 L	M52x2	64,5	80	27	60	60
0650520500	630	6 S	M14x1,5	46,5	58	24	17	19
0650520550	630	8 S	M16x1,5	48	59	24	19	22
0650520600	630	10 S	M18X1,5	48	63	24	22	22
0650520650	630	12 S	M20x1,5	48	63	24	24	22
0650520700	630	14 S	M22x1,5	49	71	24	27	24
0650520750	400	16 S	M24x1,5	50,5	71	25,5	30	27
0650520800	400	20 S	M30x2	55	78	25,5	36	36
0650520850	400	25 S	M36x2	57,5	82	25,5	46	41
0650520900	400	30 S	M42x2	60	91	27	50	46
0650520950	315	38 S	M52x2	64,5	100	29	60	55

METROLOGIA MEASURING FLOW

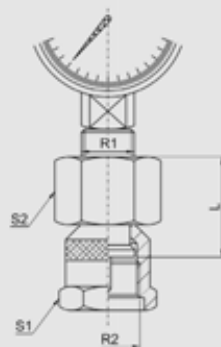


573

COD.	PRES. BAR	R1	R2	L1	L2MAX.	S1	S2
0650530040	630	1/4" BSP	M16x2	50	18	19	19
0650530080	630	1/2" BSP	M16x2	58	18	19	27

**TOMA DE PRESIÓN
MANÓMETRO 1**

*BULKHEAD
PRESSURE GAUGE
CONNECTION*

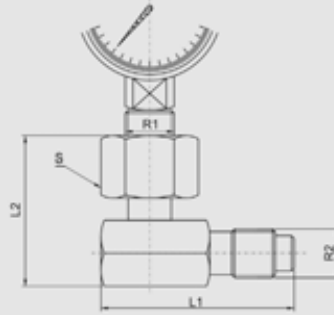
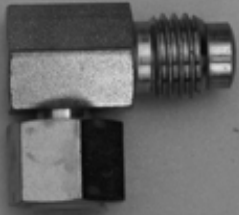


COD.	PRES. BAR	R1	R2	L	S1	S2
0650540040	630	1/4" BSP	M16x2	34	19	19
0650540080	630	1/2" BSP	M16x2	39	19	27

**TOMA DE PRESIÓN
MANÓMETRO 2**

*PRESSURE GAUGE
ADAPTER*

METROLOGIA MEASURING FLOW



574

**TOMA DE PRESIÓN
MANÓMETRO 3**

*90° PRESSURE
GAUGE SWIVEL
CONNECTION*

COD.	PRES. BAR	R1	R2	L1	L2	S
0650560040	630	1/4" BSP	M16x2	40	40	17
0650560080	630	1/2" BSP	M16x2	40	42,7	27



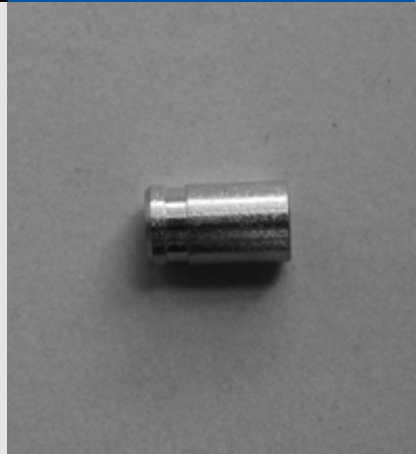
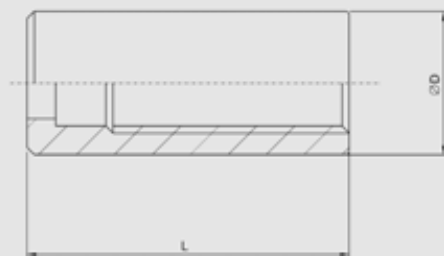
DN2-630

Tubo interior: Poliamida
Tubo exterior: Poliamida
Refuerzo: Kevlar
Temperatura: Desde -40°C (-40°F) hasta 100°C (212°F)

Inner tube: Polyamide
Outer tube: Polyamide
Reinforcement: Kevlar
Temperature: From -40°C (-40°F) to 100°C (212°F)

CÓDIGO	DIÁMETRO INTERIOR MM	DIÁMETRO EXTERIOR MM	PRESIÓN TRABAJO BAR	PRESIÓN ROTURA BAR	RADIO MÍNIMO CURVATURA MM	PESO KG./MTS.
CODE	INSIDE DIAMETER MM	OUTSIDE DIAMETER MM	WORKING PRESSURE BAR	BURST PRESSURE BAR	MIN. BEND RADIUS MM	WEIGHT KG./MTS.
0440700500	2	5	630	1900	20	0,018

METROLOGIA MEASURING FLOW



CM-000

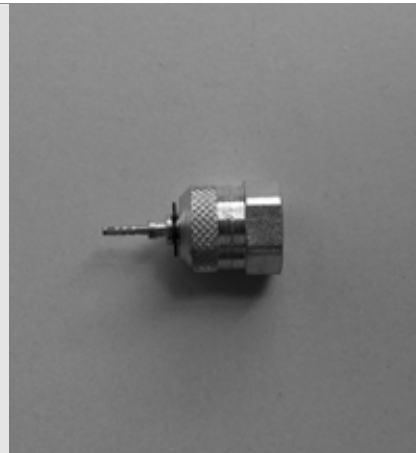
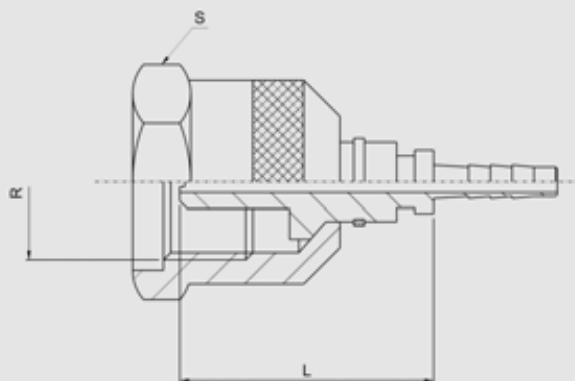
575



COD.	ØD	L
0650000000	8	14

CASQUILLO

FERRULE



HM-005

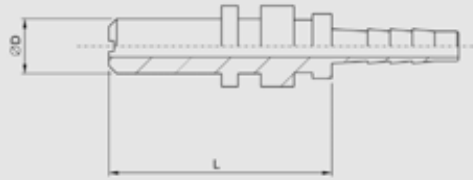


COD.	PRES. BAR	R	L	S
0650050610	630	M16x1,5	22	19
0650050620	630	M16x2	22	19

TERMINAL ROSCA

NUT CONNECTION

METROLOGIA MEASURING FLOW



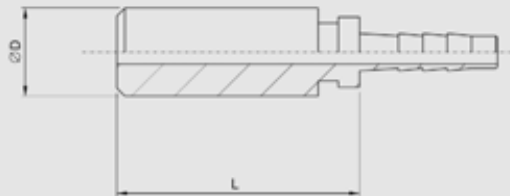
576

EM-010

TERMINAL CLAVIJA

*PLUG-IN
CONNECTION*

COD.	PRES. BAR	ØD	L
0650100000	400	3,3	19



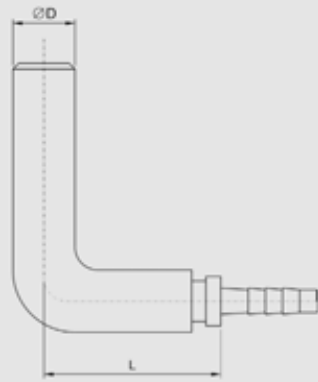
EM-015

**TERMINAL ESPIGA
LISA**

STANDPIPE

COD.	ØD	L
0650150040	4	26
0650150060	6	26
0650150080	8	26

METROLOGIA MEASURING FLOW



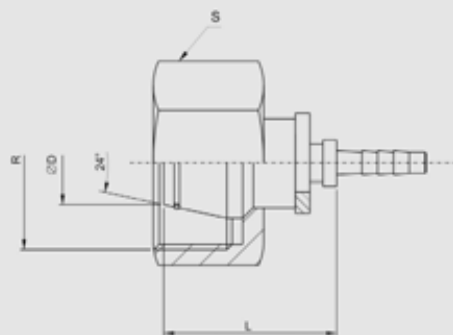
EM-020

577

COD.	ØD	L
0650200040	4	23
0650200060	6	22
0650200080	8	31

**TERMINAL ESPIGA
LISA A 90°**

*90° ELBOW
STANDPIPE*



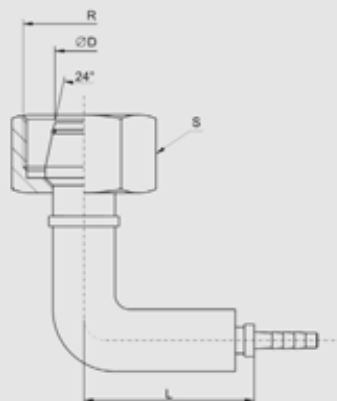
HG-016

COD.	PRES. BAR	R	ØD	L	S
0650160050	315	M12x1,5	6 L	21	14
0650160100	630	M14x1,5	6 S	21	17
0650160150	315	M14x1,5	8 L	21	17
0650160200	630	M16X1,5	8 S	21	19
0650160250	315	M16X1,5	10 L	21	19
0650160300	630	M18X1,5	10 S	21	22

**TERMINAL TUERCA
GIRATORIA 24°**

*O-RING METRIC
FEMALE 24° CONE*

METROLOGIA MEASURING FLOW



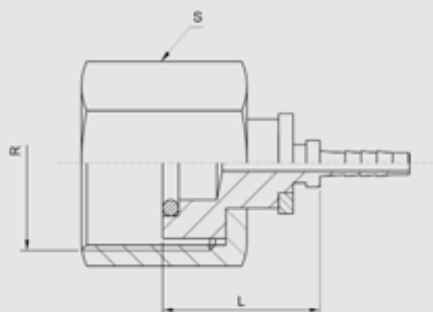
578

HG-017

**TERMINAL A 90°
TUERCA GIRATORIA
24°**

*90° O-RING METRIC
ELBOW 24° CONE*

COD.	PRES. BAR	R	ØD	L	S
0650170050	315	M12x1,5	6 L	27	14
0650170100	630	M14x1,5	6 S	27	17
0650170150	315	M14x1,5	8 L	27	17
0650170200	630	M16X1,5	8 S	27	19
0650170250	315	M16X1,5	10 L	27	19
0650170300	630	M18X1,5	10 S	27	22

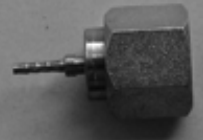
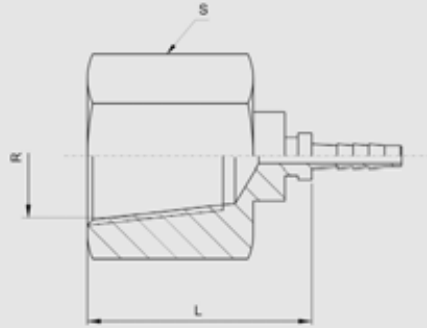


HM-025

**TERMINAL
MANÓMETRO**

*PRESSURE GAUGE
ADAPTER*

COD.	PRES. BAR	R	L	S
0650250040	630	1/4" BSP	15	17
0650250080	630	1/2" BSP	17	27
0650250300	630	M20x1,5	17	24



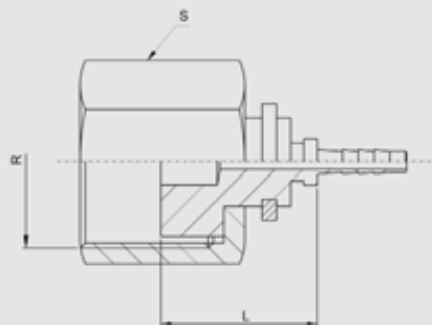
HG-026

579

COD.	PRES. BAR	R	L	S
0650260040	630	1/4"-18 NPTF	23	19

**TERMINAL
MANÓMETRO NPTF**

*PRESSURE GAUGE
ADAPTER*



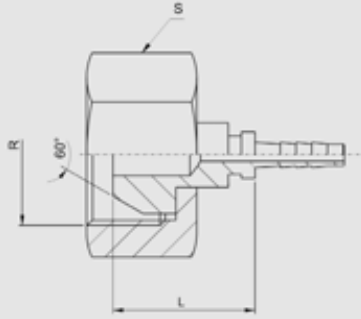
HG-057

COD.	PRES. BAR	R	L	S
0650570020	400	11/16"-16 UN	18	22

**TERMINAL
MANÓMETRO UN**

FEMALE SWIVEL

METROLOGIA MEASURING FLOW



580

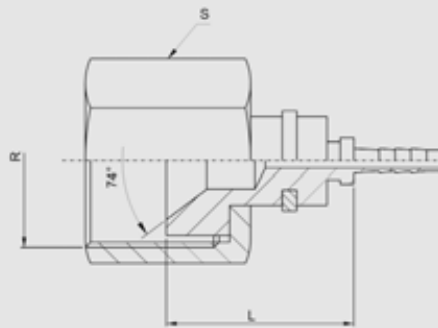
HG-021



**TERMINAL TUERCA
GIRATORIA BSP**

60° FEMALE SWIVEL

COD.	PRES. BAR	R	L	S
0650210020	630	1/8" BSP	14	14
0650210040	630	1/4" BSP	18	17
0650210210	630	M14x1,5	18	19



HG-028

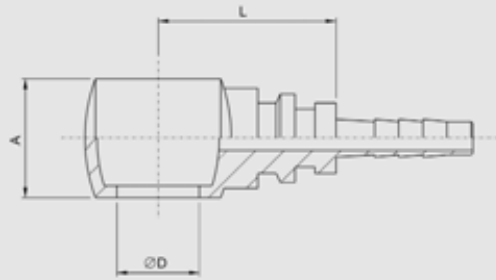


**TERMINAL TUERCA
GIRATORIA JIC 74°**

*JIC 74° FEMALE
SWIVEL*

COD.	PRES. BAR	R	L	S
0650280030	450	7/16"-20 UNF	15	14
0650280050	420	1/2"-20 UNF	17	16

METROLOGIA MEASURING FLOW



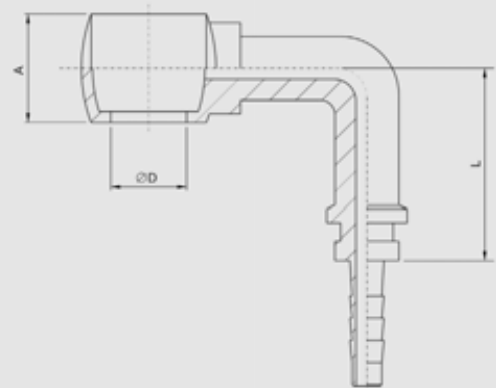
EM-029

581

COD.	PRES. BAR	ØD	L	A
0650290010	200	8	19	8
0650290000	200	10	21	10
0650290300	200	1/8"	21	10

**TERMINAL
ORIENTABLE**

STRAIGHT BANJO



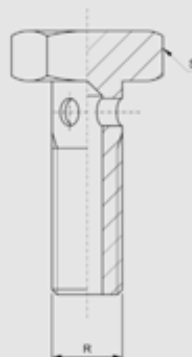
EM-035

COD.	PRES. BAR	ØD	L	A
0650350010	200	8	25	8
0650350000	200	10	22	10
0650350300	200	1/8"	22	10

**TERMINAL
ORIENTABLE**

90° BANJO

METROLOGIA MEASURING FLOW



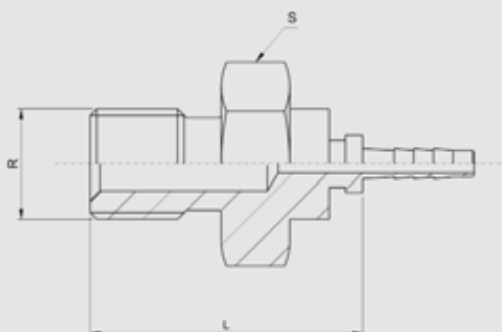
582

TF-036

**TORNILLO
ORIENTABLE**

*SCREW FOR
BANJO*

COD.	R	S
0650360090	M8x1	12
0650360110	M10x1	14
0650360000	1/8" BSP	14



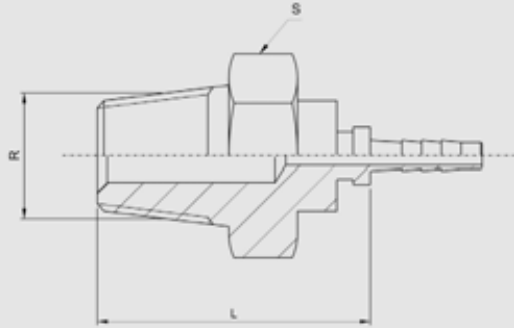
EM-058

**TERMINAL MACHO
BSP**

MALE FITTING

COD.	PRES. BAR	R	L	S
0650580020	400	1/8" BSP	19	13
0650580040	630	1/4" BSP	24,5	19

**METROLOGIA
MEASURING FLOW**



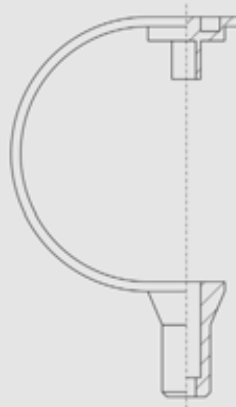
EM-027

583

COD.	PRES. BAR	R	L	S
0650270020	400	1/8"-27 NPTF	21	13

**TERMINAL MACHO
NPTF**

TAPER MALE FITTING



PM-030

COD.	DESCRIPCIÓN
0650300000	PM 30-00

PROTECTOR

*DUST PROTECTION
CAP*



MÁQUINAS Y ÚTILES

MACHINES AND TOOLS

MÁQUINAS Y ÚTILES - MACHINES AND TOOLS

MÁQUINAS PARA PRENSAR LATIGUILLOS
CRIMPING MACHINES



587

MUEBLE BASE CON ÚTIL
MONTAJE RÁPIDO.
QUICK CHANGE TOOL BASE.



MÁQUINAS DE PELADO
HOSE SKIVING MACHINES



*CORTADORA DE MANGUERA
HOSE CUTTING MACHINE*



*APILADOR
HOSE REEL*



588

**MÁQUINA PRENSAR TUBERÍA BAJA PRESIÓN
MACHINE TO CRIP LOW PRESSURE HOSES**



**MÁQUINARIA TUBERIA RÍGIDA
RIGID PIPE MACHINES**

*CURVADORA
BENDING*



*PREENSAMBLADORA
PRE-ASSEMBLY*



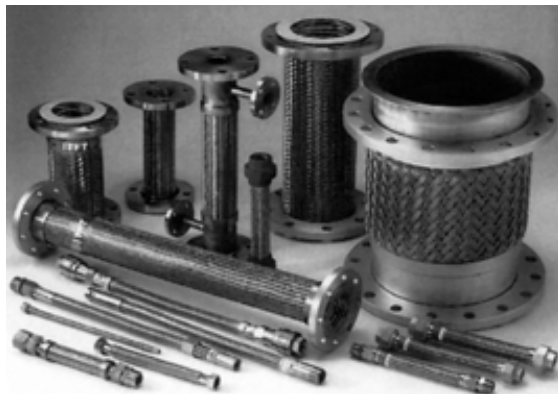


**FLEXIBLES INOX, ACCESORIOS Y
VÁLVULAS INDUSTRIALES**

**STAINLESS STEEL FLEXIBLE HOSES,
ACCESSORIES AND INDUSTRIAL VALVES**

**FLEXIBLES INOX, ACCESORIOS Y VÁLVULAS INDUSTRIALES
STAINLESS STEEL FLEXIBLE HOSES, ACCESSORIES AND INDUSTRIAL VALVES**

FLEXIBLES DE ACERO INOXIDABLE
STAINLESS STEEL FLEXIBLE HOSES



591



ACCESORIOS DIN
DIN ACCESSORIES



VÁLVULAS INDUSTRIALES
INDUSTRIAL VALVES

592



